



### ECL HS-800/810 Series

### Description

The **HS-800/810 Series** of quartz crystal oscillators provide MECL 10K and 10KH series compatible signals in industry standard four-pin DIP hermetic packages.. Systems designers may now specify space-saving, cost-effective packaged ECL oscillators to meet their timing requirements.

### Features

- Wide frequency range—15.0MHz to 250.0MHz
- User specified tolerance available
- Will withstand vapor phase temperatures of 253°C for 4 minutes maximum
- Space-saving alternative to discrete component oscillators
- High shock resistance, to 3000g
- All metal, resistance weld, hermetically sealed package
- Low Jitter
- MECL 10K and 10KH series compatible output on Pin 8
- High Q Crystal actively tuned oscillator circuit
- Power supply decoupling internal
- No internal PLL avoids cascading PLL problems
- High frequencies due to proprietary design
- Gold plated leads - Solder dipped leads available upon request

### Electrical Connection

#### HS-800

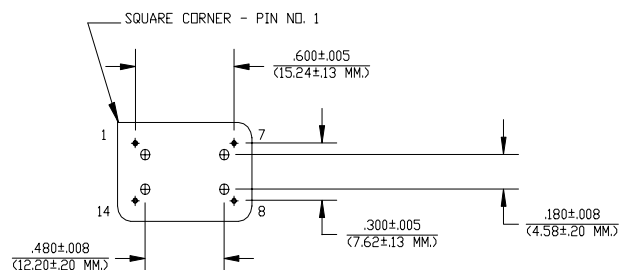
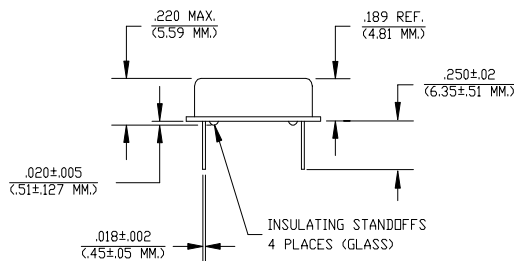
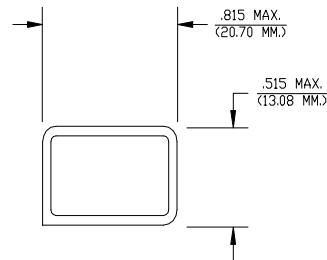
Pin Connection

|    |                         |
|----|-------------------------|
| 1  | N.C.                    |
| 7  | V <sub>CC</sub> /Ground |
| 8  | Output                  |
| 14 | V <sub>EE</sub> -5.2V   |

#### HS-810

Pin Connection

|    |                         |
|----|-------------------------|
| 1  | N.C.                    |
| 7  | V <sub>EE</sub> -5.2V   |
| 8  | Output                  |
| 14 | V <sub>CC</sub> /Ground |



Dimensions are in inches and (MM)

HS-800/810 Series Continued  
ECL

Rev. K

## Operating Conditions and Output Characteristics

### Electrical Characteristics

| Parameter                          | Symbol          | Conditions   | Min                    | Typical | Max                    |
|------------------------------------|-----------------|--|------------------------|---------|------------------------|
| Frequency                          | -----           | -----  | 15.0MHz                | -----   | 250.0MHz               |
| Duty Cycle                         | -----           | @ V <sub>CC</sub> -1.29V   | 45/55%                 | -----   | 55/45%                 |
| Logic 0 <sup>(2)</sup>             | V <sub>OL</sub> | -----  | V <sub>CC</sub> -1.95V | -----   | V <sub>CC</sub> -1.60V |
| Logic 1 <sup>(2)</sup>             | V <sub>OH</sub> | -----  | V <sub>CC</sub> -1.02V | -----   | V <sub>CC</sub> -0.74V |
| Rise & Fall Time                   | tr,tf           | 20-80%V <sub>O</sub> with 50 ohm load to V <sub>CC</sub> -2V                                   | -----                  | 1.0 ns  | 1.5 ns                 |
| Jitter, RMS <sup>(3)</sup>         | -----           | -----  | -----                  | -----   | 5 psec                 |
| Frequency Stability <sup>(1)</sup> | dF/F            | Overall conditions including:<br>voltage, calibration, temp.,<br>10 yr aging, shock, vibration | -100ppm                | -----   | +100ppm                |

### General Characteristics

| Parameter             | Symbol          | Conditions  | Min    | Typical | Max      |
|-----------------------|-----------------|---|--------|---------|----------|
| Supply Voltage        | V <sub>EE</sub> | -----   | -5.46V | -5.2V   | -4.94V   |
| Supply Current        | I <sub>EE</sub> | 50 ohm termination<br>To 2.00V below V <sub>CC</sub>                | 0.0 mA | -----   | 80 mA    |
| Output current        | I <sub>O</sub>  | Low level Output Current  | 0.0 mA | -----   | ±50.0 mA |
| Operating temperature | T <sub>A</sub>  | -----   | 0°C    | -----   | 70°C     |
| Storage temperature   | T <sub>S</sub>  | -----   | -55°C  | -----   | 125°C    |
| Power Dissipation     | P <sub>D</sub>  | -----   | -----  | -----   | 437 mW   |
| Lead temperature      | T <sub>L</sub>  | Soldering, 10 sec.  | -----  | -----   | 300°C    |
| Load                  | -----           | 50 Ohm to V <sub>CC</sub> -2V or Thevenin Equivalent, Bias Required | -----  | -----   | -----    |
| Start-up time         | t <sub>S</sub>  | -----   | -----  | 2 ms    | 10 ms    |

### Environmental and Mechanical Characteristics

|                     |  |
|---------------------|--|
| Mechanical Shock    | Per MIL-STD-202, Method 213, Condition E                         |
| Thermal Shock       | Per MIL-STD-833, Method 1011, Condition A                        |
| Vibration           | 0.060" double amplitude 10 Hz to 55 Hz, 35g's 55Hz to 2000 Hz    |
| Soldering Condition | 300°C for 10 seconds   |
| Hermetic Seal       | Leak rate less than 1 x 10 <sup>-8</sup> atm.cc/sec of helium    |
| ESD Sensitivity     | Human Body Model per ON Semiconductor 10kH series ECL: 500V min. |

#### Footnotes:

- Standard frequency stability (±20,±25,±50ppm & others available)
- V<sub>OL</sub>, V<sub>OH</sub>, referenced to ground (V<sub>CC</sub>) with V<sub>EE</sub> = -5.2V
- Jitter performance is frequency dependent. Please contact factory for full characterization.

#### Creating a Part Number

HS - A80X - FREQ

#### Package Code

HS Leaded 4 pin (14 pin)  
SM Leaded 4 pin (14 pin) SMD  
Gull Wing

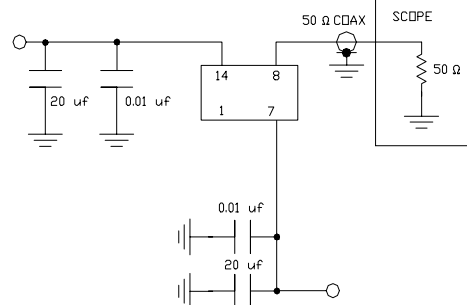
#### Input Voltage

| Code | Specification |
|------|---------------|
| A    | 3.3V          |
|      | 5V            |

#### Tolerance/Performance

|   |                      |
|---|----------------------|
| 0 | ±100ppm 0-70°C       |
| 1 | ±50ppm 0-70°C        |
| 7 | ±25ppm 0-70°C        |
| 9 | Customer Specific    |
| A | ±20ppm 0-70°C        |
| B | ±50ppm -40 to +85°C  |
| C | ±100ppm -40 to +85°C |

TEST CIRCUIT



TEST CIRCUIT USES A SPLIT SUPPLY OF +2V AND -3.2V FOR EASE OF TESTING.