

---

# HM62W16255HC Series

4M High Speed SRAM (256-kword × 16-bit)

# HITACHI

ADE-203-1200 (Z)  
Preliminary  
Rev. 0.0  
Sep. 1, 2000

---

## Description

The HM62W16255HC is a 4-Mbit high speed static RAM organized 256-kword × 16-bit. It has realized high speed access time by employing CMOS process (6-transistor memory cell) and high speed circuit designing technology. It is most appropriate for the application which requires high speed, high density memory and wide bit width configuration, such as cache and buffer memory in system. The HM62W16255HC is packaged in 400-mil 44-pin SOJ and 400-mil 44-pin plastic TSOPII for high density surface mounting.

## Features

- Single 3.3 V supply: 3.3 V ± 0.3 V
- Access time: 10 ns (max)
- Completely static memory
  - No clock or timing strobe required
- Equal access and cycle times
- Directly TTL compatible
  - All inputs and outputs
- Operating current: 145 mA (max)
- TTL standby current: 40 mA (max)
- CMOS standby current: 5 mA (max)
  - : 1 mA (max) (L-version)
- Data retention current: 0.6 mA (max) (L-version)
- Data retention voltage: 2.0 V (min) (L-version)
- Center  $V_{CC}$  and  $V_{SS}$  type pinout

Preliminary: The specification of this device are subject to change without notice. Please contact your nearest Hitachi's Sales Dept. regarding specification.

---

# HM62W16255HC Series

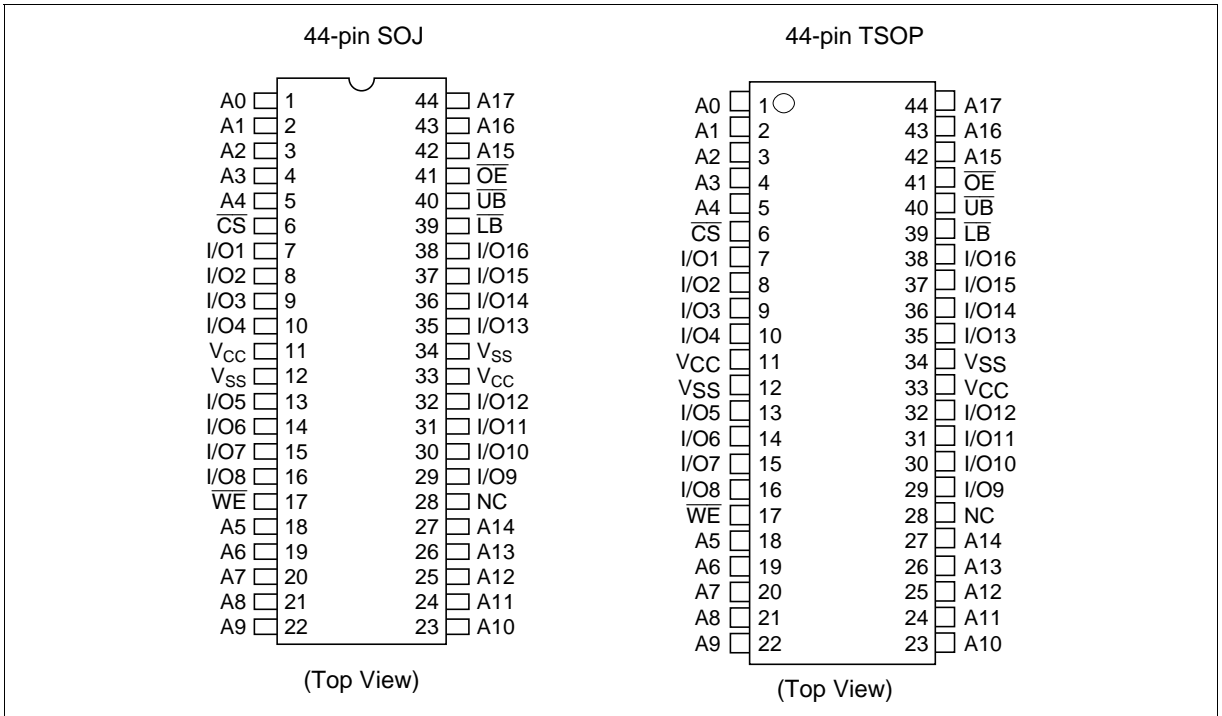
---

## Ordering Information

Type No.	Access time	Package
HM62W16255HCJP-10	10 ns	400-mil 44-pin plastic SOJ (CP-44D)
HM62W16255HCLJP-10	10 ns	
HM62W16255HCTT-10	10 ns	400-mil 44-pin plastic TSOPII (TTP-44DE)
HM62W16255HCLTT-10	10 ns	

---

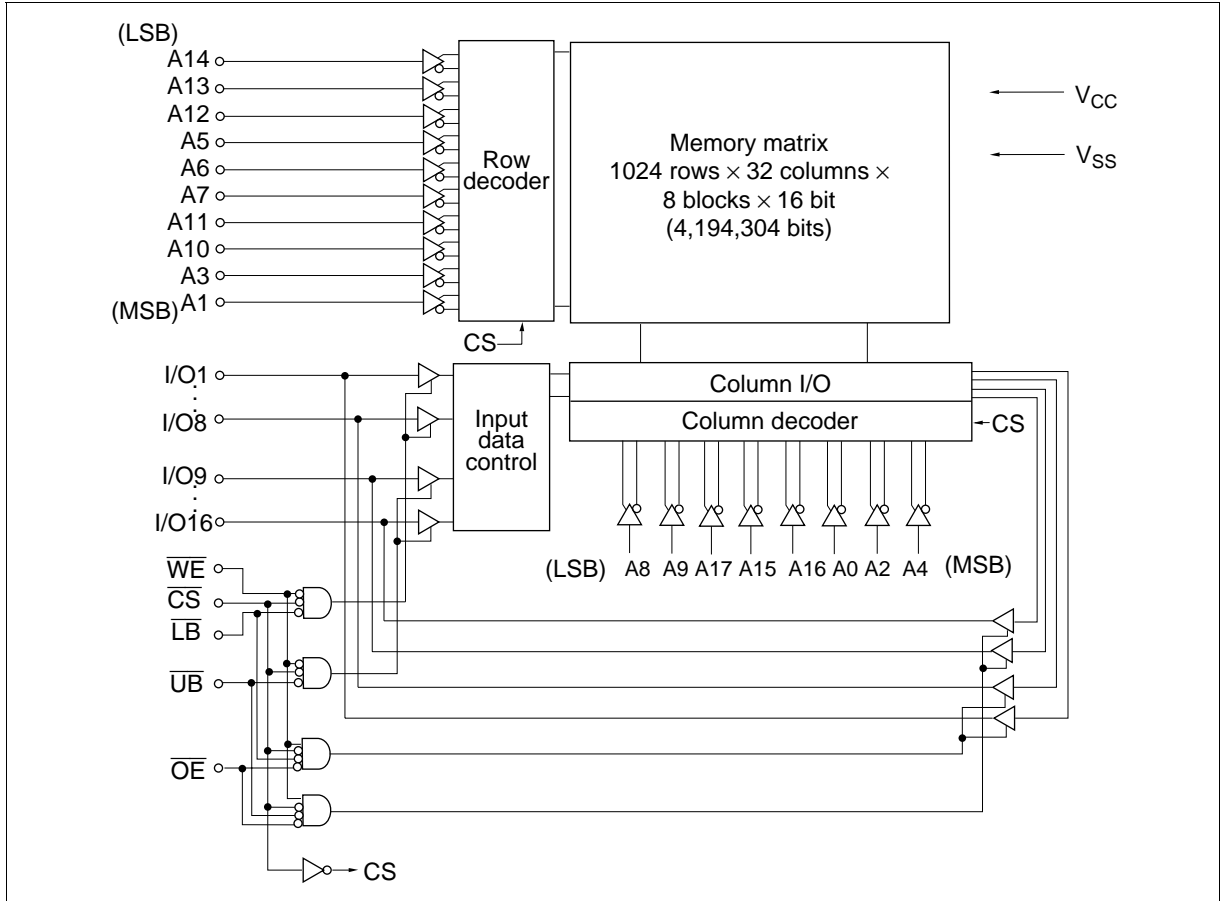
## Pin Arrangement



## Pin Description

Pin name	Function
A0 to A17	Address input
I/O1 to I/O16	Data input/output
$\overline{CS}$	Chip select
$\overline{OE}$	Output enable
$\overline{WE}$	Write enable
$\overline{UB}$	Upper byte select
$\overline{LB}$	Lower byte select
$V_{CC}$	Power supply
$V_{SS}$	Ground
NC	No connection

## Block Diagram



Operation Table

$\overline{CS}$	$\overline{OE}$	$\overline{WE}$	$\overline{LB}$	$\overline{UB}$	Mode	$V_{CC}$ current	I/O1–I/O8	I/O9–I/O16	Ref. cycle
H	x	x	x	x	Standby	$I_{SB}, I_{SB1}$	High-Z	High-Z	—
L	H	H	x	x	Output disable	$I_{CC}$	High-Z	High-Z	—
L	L	H	L	L	Read	$I_{CC}$	Output	Output	Read cycle
L	L	H	L	H	Lower byte read	$I_{CC}$	Output	High-Z	Read cycle
L	L	H	H	L	Upper byte read	$I_{CC}$	High-Z	Output	Read cycle
L	L	H	H	H	—	$I_{CC}$	High-Z	High-Z	—
L	x	L	L	L	Write	$I_{CC}$	Input	Input	Write cycle
L	x	L	L	H	Lower byte write	$I_{CC}$	Input	High-Z	Write cycle
L	x	L	H	L	Upper byte write	$I_{CC}$	High-Z	Input	Write cycle
L	x	L	H	H	—	$I_{CC}$	High-Z	High-Z	—

Note: x: H or L

Absolute Maximum Ratings

Parameter	Symbol	Value	Unit
Supply voltage relative to $V_{SS}$	$V_{CC}$	-0.5 to +4.6	V
Voltage on any pin relative to $V_{SS}$	$V_T$	-0.5*1 to $V_{CC} + 0.5$ *2	V
Power dissipation	$P_T$	1.0	W
Operating temperature	$T_{opr}$	0 to +70	°C
Storage temperature	$T_{stg}$	-55 to +125	°C
Storage temperature under bias	$T_{bias}$	-10 to +85	°C

- Notes: 1.  $V_T$  (min) = -2.0 V for pulse width (under shoot)  $\leq 6$  ns  
 2.  $V_T$  (max) =  $V_{CC} + 2.0$  V for pulse width (over shoot)  $\leq 6$  ns

## Recommended DC Operating Conditions (Ta = 0 to +70°C)

Parameter	Symbol	Min	Typ	Max	Unit
Supply voltage	$V_{CC}^{*3}$	3.0	3.3	3.6	V
	$V_{SS}^{*4}$	0	0	0	V
Input voltage	$V_{IH}$	2.0	—	$V_{CC} + 0.5^{*2}$	V
	$V_{IL}$	$-0.5^{*1}$	—	0.8	V

- Notes: 1.  $V_{IL}$  (min) =  $-2.0$  V for pulse width (under shoot)  $\leq 6$  ns  
 2.  $V_{IH}$  (max) =  $V_{CC} + 2.0$  V for pulse width (over shoot)  $\leq 6$  ns  
 3. The supply voltage with all  $V_{CC}$  pins must be on the same level.  
 4. The supply voltage with all  $V_{SS}$  pins must be on the same level.

## DC Characteristics (Ta = 0 to +70°C, $V_{CC} = 3.3$ V $\pm$ 0.3 V, $V_{SS} = 0$ V)

Parameter	Symbol	Min	Typ* <sup>1</sup>	Max	Unit	Test conditions
Input leakage current	$ I_{LI} $	—	—	2	$\mu$ A	$V_{in} = V_{SS}$ to $V_{CC}$
Output leakage current	$ I_{LO} $	—	—	2	$\mu$ A	$V_{in} = V_{SS}$ to $V_{CC}$
Operating power supply current	$I_{CC}$	—	—	145	mA	Min cycle $\overline{CS} = V_{IL}$ , $I_{out} = 0$ mA Other inputs = $V_{IH}/V_{IL}$
Standby power supply current	$I_{SB}$	—	—	40	mA	Min cycle, $\overline{CS} = V_{IH}$ , Other inputs = $V_{IH}/V_{IL}$
	$I_{SB1}$	—	TBD	5	mA	$f = 0$ MHz $V_{CC} \geq \overline{CS} \geq V_{CC} - 0.2$ V, (1) $0$ V $\leq V_{in} \leq 0.2$ V or (2) $V_{CC} \geq V_{in} \geq V_{CC} - 0.2$ V
		—* <sup>2</sup>	TBD* <sup>2</sup>	1.0* <sup>2</sup>		
Output voltage	$V_{OL}$	—	—	0.4	V	$I_{OL} = 8$ mA
	$V_{OH}$	2.4	—	—	V	$I_{OH} = -4$ mA

- Notes: 1. Typical values are at  $V_{CC} = 3.3$  V,  $T_a = +25^\circ\text{C}$  and not guaranteed.  
 2. This characteristics is guaranteed only for L-version.

**Capacitance** ( $T_a = +25^\circ\text{C}$ ,  $f = 1.0\text{ MHz}$ )

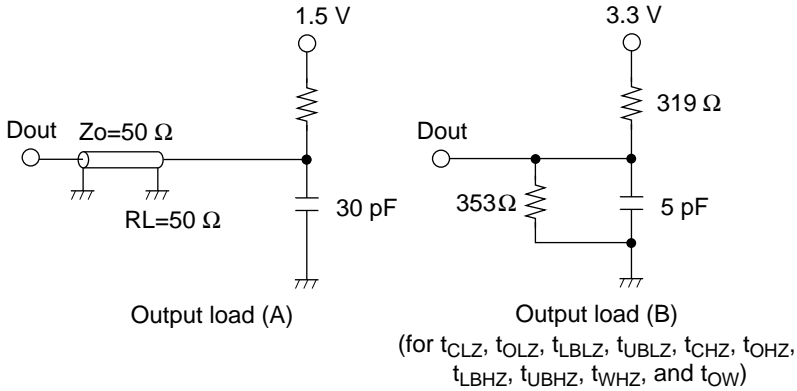
<b>Parameter</b>	<b>Symbol</b>	<b>Min</b>	<b>Typ</b>	<b>Max</b>	<b>Unit</b>	<b>Test conditions</b>
Input capacitance*1	$C_{in}$	—	—	6	pF	$V_{in} = 0\text{ V}$
Input/output capacitance*1	$C_{I/O}$	—	—	8	pF	$V_{I/O} = 0\text{ V}$

Note: 1. This parameter is sampled and not 100% tested.

**AC Characteristics** ( $T_a = 0$  to  $+70^\circ\text{C}$ ,  $V_{CC} = 3.3\text{ V} \pm 0.3\text{ V}$ , unless otherwise noted.)

## Test Conditions

- Input pulse levels: 3.0 V/0.0 V
- Input rise and fall time: 3 ns
- Input and output timing reference levels: 1.5 V
- Output load: See figures (Including scope and jig)



## Read Cycle

Parameter	Symbol	HM62W16255HC		Unit	Notes
		-10			
		Min	Max		
Read cycle time	$t_{RC}$	10	—	ns	
Address access time	$t_{AA}$	—	10	ns	
Chip select access time	$t_{ACS}$	—	10	ns	
Output enable to output valid	$t_{OE}$	—	5	ns	
Byte select to output valid	$t_{LB}$ , $t_{UB}$	—	5	ns	
Output hold from address change	$t_{OH}$	3	—	ns	
Chip select to output in low-Z	$t_{CLZ}$	3	—	ns	1
Output enable to output in low-Z	$t_{OLZ}$	0	—	ns	1
Byte select to output in low-Z	$t_{LBLZ}$ , $t_{UBLZ}$	0	—	ns	1
Chip deselect to output in high-Z	$t_{CHZ}$	—	5	ns	1
Output disable to output in high-Z	$t_{OHZ}$	—	5	ns	1
Byte deselect to output in high-Z	$t_{LBHZ}$ , $t_{UBHZ}$	—	5	ns	1



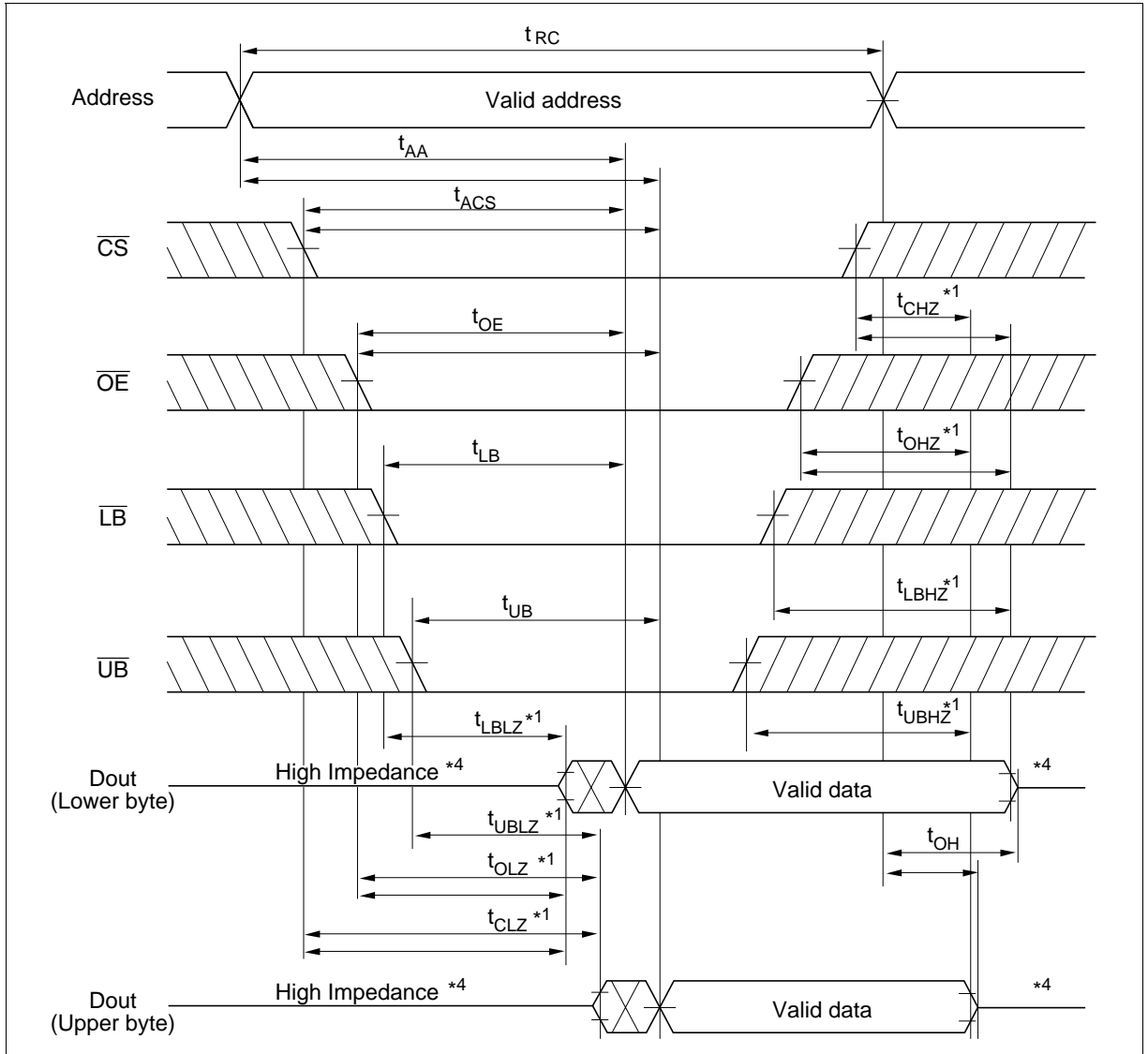
## Write Cycle

Parameter	Symbol	HM62W16255HC		Unit	Notes
		-10			
		Min	Max		
Write cycle time	$t_{WC}$	10	—	ns	
Address valid to end of write	$t_{AW}$	7	—	ns	
Chip select to end of write	$t_{CW}$	7	—	ns	8
Write pulse width	$t_{WP}$	7	—	ns	7
Byte select to end of write	$t_{LBW}, t_{UBW}$	7	—	ns	9, 10
Address setup time	$t_{AS}$	0	—	ns	5
Write recovery time	$t_{WR}$	0	—	ns	6
Data to write time overlap	$t_{DW}$	5	—	ns	
Data hold from write time	$t_{DH}$	0	—	ns	
Write disable to output in low-Z	$t_{OW}$	3	—	ns	1
Output disable to output in high-Z	$t_{OHZ}$	—	5	ns	1
Write enable to output in high-Z	$t_{WHZ}$	—	5	ns	1

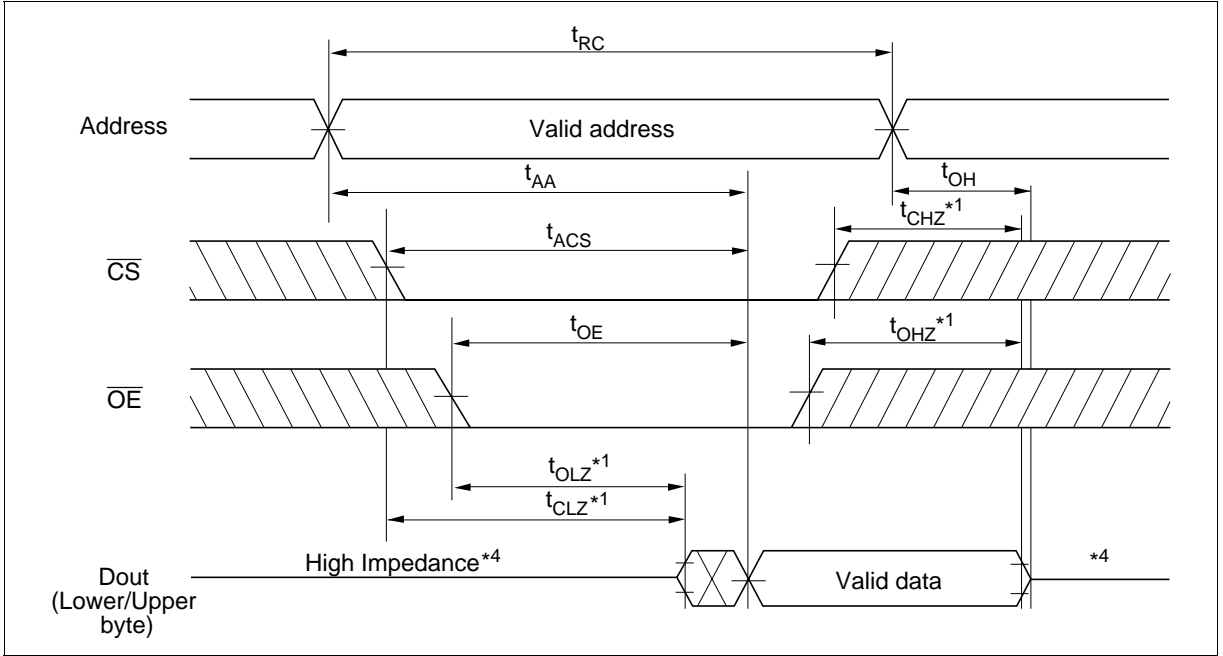
- Notes:
1. Transition is measured  $\pm 200$  mV from steady voltage with Load (B). This parameter is sampled and not 100% tested.
  2. If the  $\overline{CS}$  or  $\overline{LB}$  or  $\overline{UB}$  low transition occurs simultaneously with the  $\overline{WE}$  low transition or after the  $\overline{WE}$  transition, output remains a high impedance state.
  3.  $\overline{WE}$  and/or  $\overline{CS}$  must be high during address transition time.
  4. If  $\overline{CS}$ ,  $\overline{OE}$ ,  $\overline{LB}$  and  $\overline{UB}$  are low during this period, I/O pins are in the output state. Then the data input signals of opposite phase to the outputs must not be applied to them.
  5.  $t_{AS}$  is measured from the latest address transition to the latest of  $\overline{CS}$ ,  $\overline{WE}$ ,  $\overline{LB}$  or  $\overline{UB}$  going low.
  6.  $t_{WR}$  is measured from the earliest of  $\overline{CS}$ ,  $\overline{WE}$ ,  $\overline{LB}$  or  $\overline{UB}$  going high to the first address transition.
  7. A write occurs during the overlap of low  $\overline{CS}$ , low  $\overline{WE}$  and low  $\overline{LB}$  or low  $\overline{UB}$ .
  8.  $t_{CW}$  is measured from the later of  $\overline{CS}$  going low to the end of write.
  9.  $t_{LBW}$  is measured from the later of  $\overline{LB}$  going low to the end of write.
  10.  $t_{UBW}$  is measured from the later of  $\overline{UB}$  going low to the end of write.

## Timing Waveforms

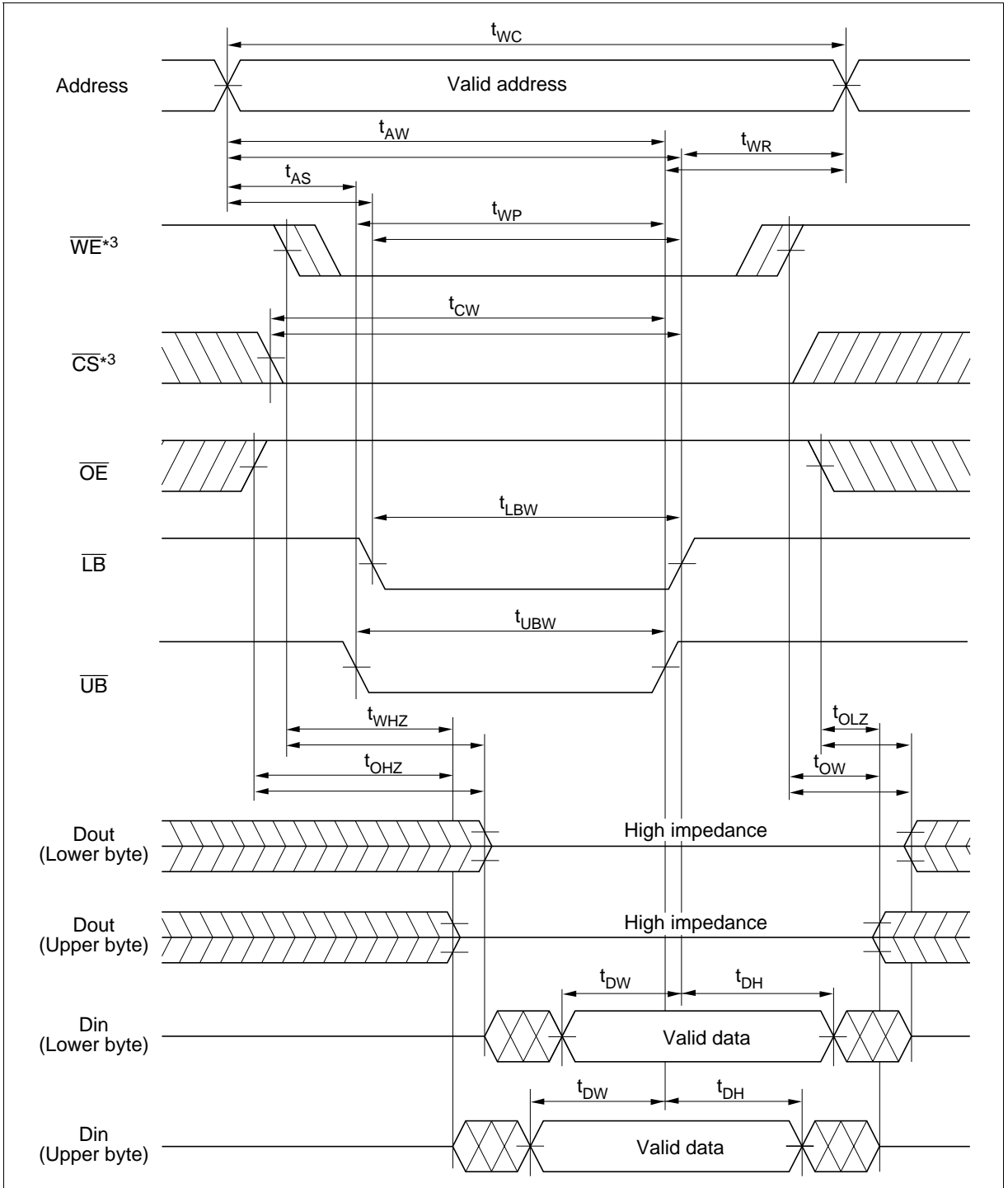
### Read Timing Waveform (1) ( $\overline{WE} = V_{IH}$ )



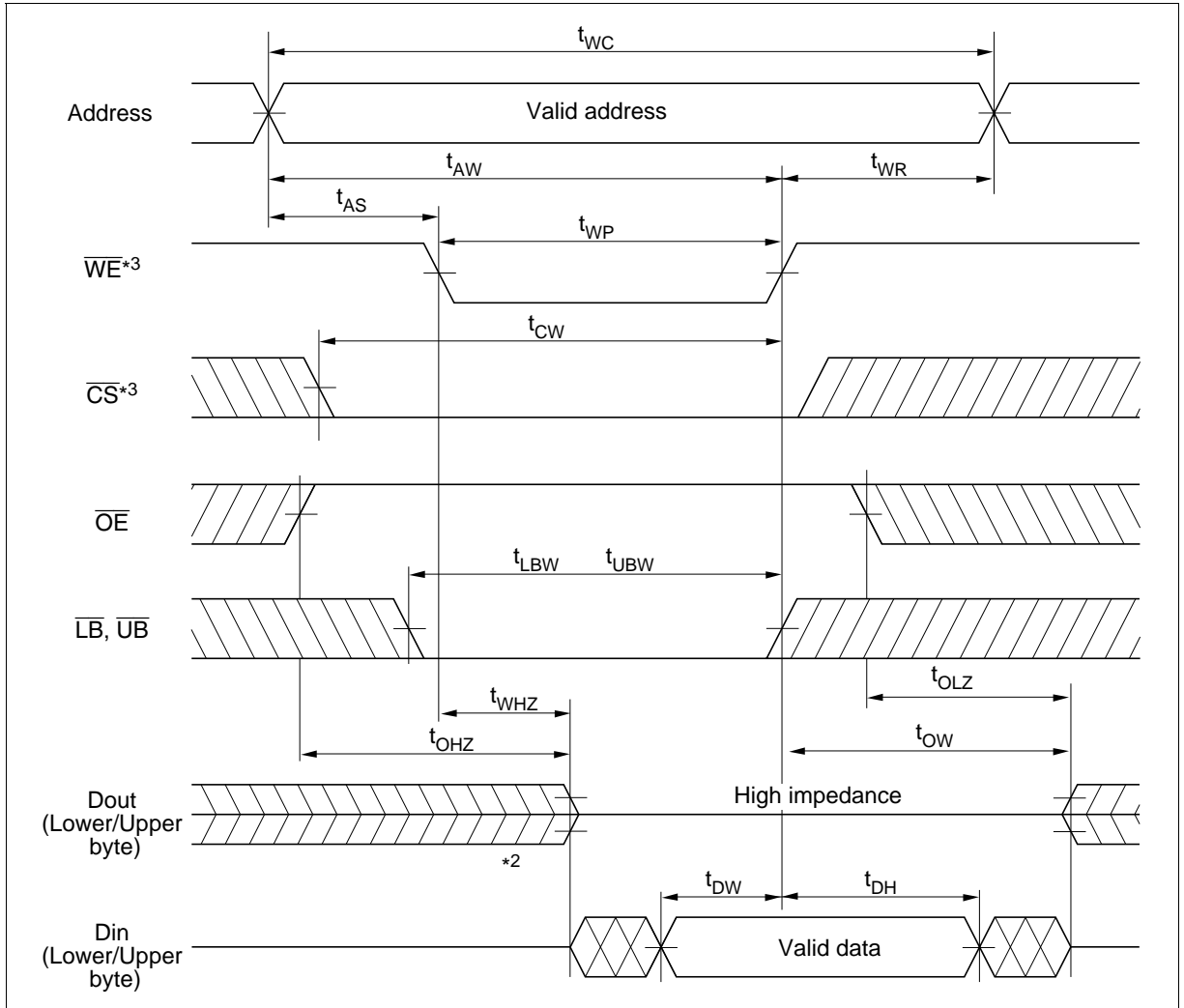
Read Timing Waveform (2) ( $\overline{WE} = V_{IH}, \overline{LB} = V_{IL}, \overline{UB}, = V_{IL}$ )



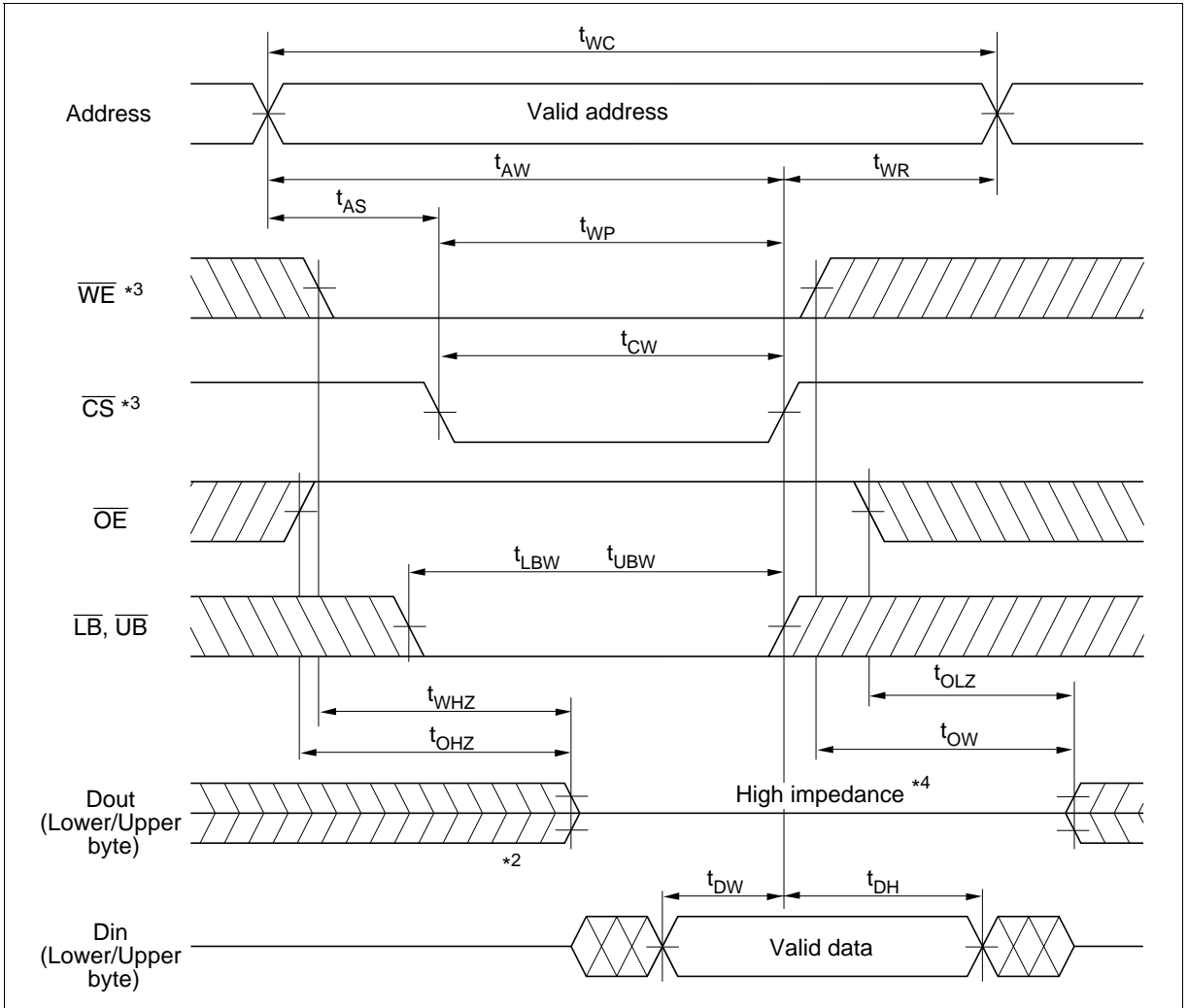
## Write Timing Waveform (1) ( $\overline{LB}$ , $\overline{UB}$ Controlled)



Write Timing Waveform (2) ( $\overline{WE}$  Controlled)



## Write Timing Waveform (3) ( $\overline{CS}$ Controlled)



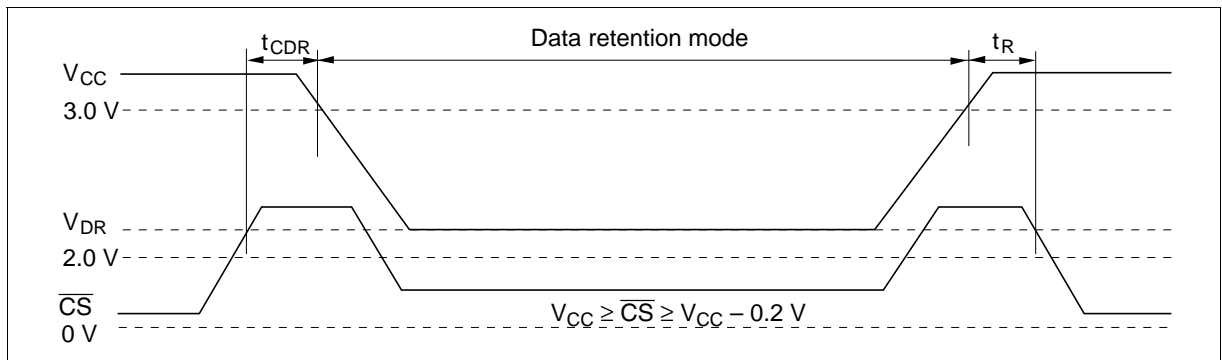
## Low $V_{CC}$ Data Retention Characteristics ( $T_a = 0$ to $+70^\circ\text{C}$ )

This characteristics is guaranteed only for L-version.

Parameter	Symbol	Min	Typ*1	Max	Unit	Test conditions
$V_{CC}$ for data retention	$V_{DR}$	2.0	—	—	V	$V_{CC} \geq \overline{CS} \geq V_{CC} - 0.2 \text{ V}$ , (1) $0 \text{ V} \leq V_{in} \leq 0.2 \text{ V}$ or (2) $V_{CC} \geq V_{in} \geq V_{CC} - 0.2 \text{ V}$
Data retention current	$I_{CCDR}$	—	TBD	600	$\mu\text{A}$	$V_{CC} = 3 \text{ V}$ $V_{CC} \geq \overline{CS} \geq V_{CC} - 0.2 \text{ V}$ , (1) $0 \text{ V} \leq V_{in} \leq 0.2 \text{ V}$ or (2) $V_{CC} \geq V_{in} \geq V_{CC} - 0.2 \text{ V}$
Chip deselect to data retention time	$t_{CDR}$	0	—	—	ns	See retention waveform
Operation recovery time	$t_R$	5	—	—	ms	

Note: 1. Typical values are at  $V_{CC} = 3.0 \text{ V}$ ,  $T_a = +25^\circ\text{C}$ , and not guaranteed.

## Low $V_{CC}$ Data Retention Timing Waveform

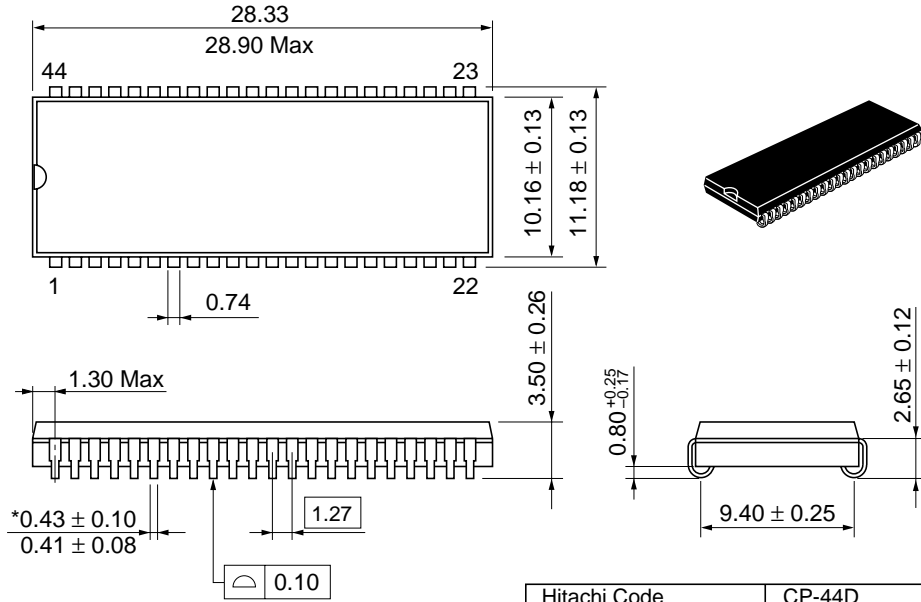


# HM62W16255HC Series

## Package Dimensions

### HM62W16255HCJP/HCLJP Series (CP-44D)

Unit: mm



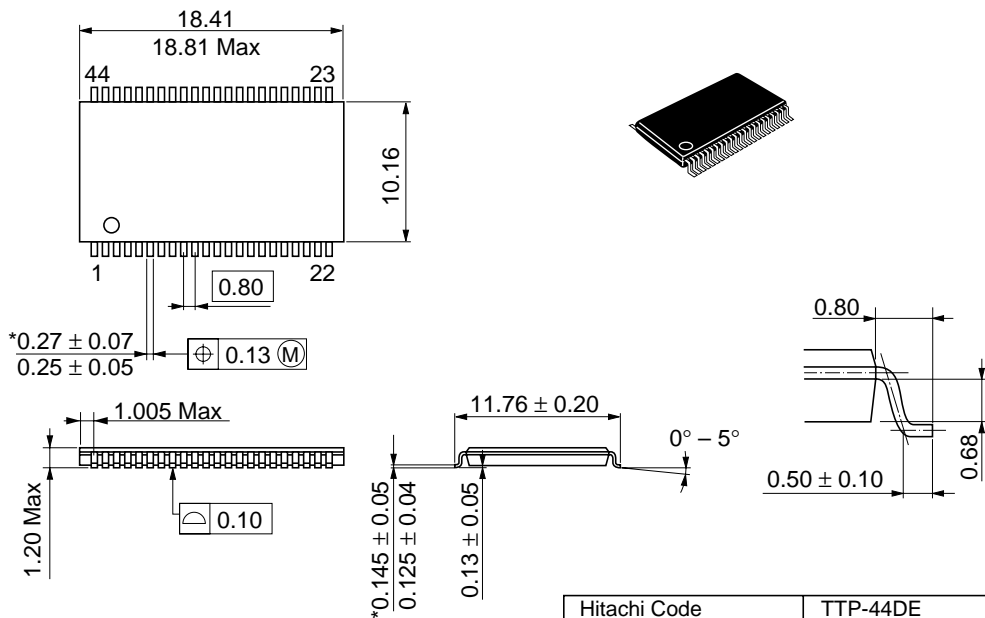
\*Dimension including the plating thickness  
Base material dimension

Hitachi Code	CP-44D
JEDEC	Conforms
EIAJ	—
Mass (reference value)	1.8 g



## HM62W16255HCTT/HCLTT Series (TTP-44DE)

Unit: mm



\*Dimension including the plating thickness  
Base material dimension

Hitachi Code	TTP-44DE
JEDEC	—
EIAJ	—
Mass (reference value)	0.43 g

## Cautions

1. Hitachi neither warrants nor grants licenses of any rights of Hitachi's or any third party's patent, copyright, trademark, or other intellectual property rights for information contained in this document. Hitachi bears no responsibility for problems that may arise with third party's rights, including intellectual property rights, in connection with use of the information contained in this document.
2. Products and product specifications may be subject to change without notice. Confirm that you have received the latest product standards or specifications before final design, purchase or use.
3. Hitachi makes every attempt to ensure that its products are of high quality and reliability. However, contact Hitachi's sales office before using the product in an application that demands especially high quality and reliability or where its failure or malfunction may directly threaten human life or cause risk of bodily injury, such as aerospace, aeronautics, nuclear power, combustion control, transportation, traffic, safety equipment or medical equipment for life support.
4. Design your application so that the product is used within the ranges guaranteed by Hitachi particularly for maximum rating, operating supply voltage range, heat radiation characteristics, installation conditions and other characteristics. Hitachi bears no responsibility for failure or damage when used beyond the guaranteed ranges. Even within the guaranteed ranges, consider normally foreseeable failure rates or failure modes in semiconductor devices and employ systemic measures such as fail-safes, so that the equipment incorporating Hitachi product does not cause bodily injury, fire or other consequential damage due to operation of the Hitachi product.
5. This product is not designed to be radiation resistant.
6. No one is permitted to reproduce or duplicate, in any form, the whole or part of this document without written approval from Hitachi.
7. Contact Hitachi's sales office for any questions regarding this document or Hitachi semiconductor products.

# HITACHI

## Hitachi, Ltd.

Semiconductor & Integrated Circuits.

Nippon Bldg., 2-6-2, Ohte-machi, Chiyoda-ku, Tokyo 100-0004, Japan

Tel: Tokyo (03) 3270-2111 Fax: (03) 3270-5109

URL      NorthAmerica      : <http://semiconductor.hitachi.com/>  
                 Europe                 : <http://www.hitachi-eu.com/hel/ecg>  
                 Asia                         : <http://www.hitachi.com.sg/grp3/sicd>  
                 Japan                        : <http://www.hitachi.co.jp/Sicd/indx.htm>

### For further information write to:

Hitachi Semiconductor (America) Inc.  
179 East Tasman Drive,  
San Jose, CA 95134  
Tel: <1> (408) 433-1990  
Fax: <1>(408) 433-0223

Hitachi Europe GmbH  
Electronic Components Group  
Dornacher Straße 3  
D-85622 Feldkirchen, Munich  
Germany  
Tel: <49> (89) 9 9180-0  
Fax: <49> (89) 9 29 30 00

Hitachi Asia Ltd.  
16 Collyer Quay #20-00  
Hitachi Tower  
Singapore 049318  
Tel: 535-2100  
Fax: 535-1533

Hitachi Asia (Hong Kong) Ltd.  
Group III (Electronic Components)  
7th Flr, North Tower, World Finance Centre,  
Harbour City, Canton Road, Tsim Sha Tsui,  
Kowloon, Hong Kong  
Tel: <852> (2) 735 9218  
Fax: <852> (2) 730 0281  
Telex: 40815 HITEC HX

Hitachi Europe Ltd.  
Electronic Components Group.  
Whitebrook Park  
Lower Cookham Road  
Maidenhead  
Berkshire SL6 8YA, United Kingdom  
Tel: <44> (1628) 585000  
Fax: <44> (1628) 585160

Hitachi Asia Ltd.  
Taipei Branch Office  
3rd Flr, Hung Kuo Building, No.167,  
Tun Hwa North Road, Taipei (105)  
Taiwan  
Tel: <886> (2) 2718-3666  
Fax: <886> (2) 2718-8180  
Telex: 23222 HAS-TP

Copyright © Hitachi, Ltd., 2000. All rights reserved. Printed in Japan.  
Colophon 1.0