

HK

1/4" x 1 1/4" Panel-mount indicating fuse holder



Product features

- For 1/4" x 1 1/4" fuses
- For panels up to 3/16" (4.8 mm) thick
- Vibration resistant
- Light comes on when fuse opens
- Steel nut – 9351
- Neoprene washer – 6276
- Line connection is the back terminal
- Do not put tension on line (rear) terminal.

Environmental Data:

Temperature Rating (RTI): +130 °C

Agency information

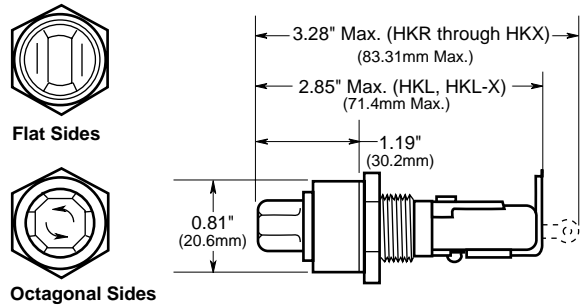
- *UL Recognized, Guide IZLT2, File E14853
- *CSA Certified, Class 6225-01, File 47235

Electrical Ratings

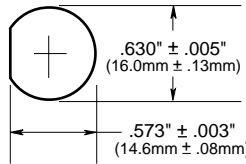
Catalog Symbol	Amps	Lamp		Knob Color	Knob Type
		Volts AC	Type		
HKL *	15	90-250	Neon	Clear	Octagon
HKL-X *	15	90-250	Neon	Clear	Flat Sided
HKR	20	22-30	Incandescent	Amber	Octagon
HKT	20	13-22	Incandescent	Amber	Octagon
HKU	20	4-6	Incandescent	Red	Octagon
HKX	20	22-33	Incandescent	Amber	Flat Sided

CE CE logo denotes compliance with European Union Low Voltage Directive (50-1000Vac, 75-1500Vdc). Refer to Data Sheet: 8002

Dimensions- in (mm)



Punched Mounting Hole



Life Support Policy: Eaton does not authorize the use of any of its products for use in life support devices or systems without the express written approval of an officer of the Company. Life support systems are devices which support or sustain life, and whose failure to perform, when properly used in accordance with instructions for use provided in the labeling, can be reasonably expected to result in significant injury to the user.

Eaton reserves the right, without notice, to change design or construction of any products and to discontinue or limit distribution of any products. Eaton also reserves the right to change or update, without notice, any technical information contained in this bulletin.

Eaton
Electronics Division
 1000 Eaton Boulevard
 Cleveland, OH 44122
 United States
www.eaton.com/electronics

© 2017 Eaton
 All Rights Reserved
 Printed in USA
 Publication No. 2105 SB04184
 June 2017

Eaton is a registered trademark.
 All other trademarks are property of their respective owners.