

DATA SHEET

For a complete data sheet, please also download:

- The IC04 LOCMOS HE4000B Logic Family Specifications HEF, HEC
- The IC04 LOCMOS HE4000B Logic Package Outlines/Information HEF, HEC

HEF4068B **gates** **8-input NAND gate**

Product specification
File under Integrated Circuits, IC04

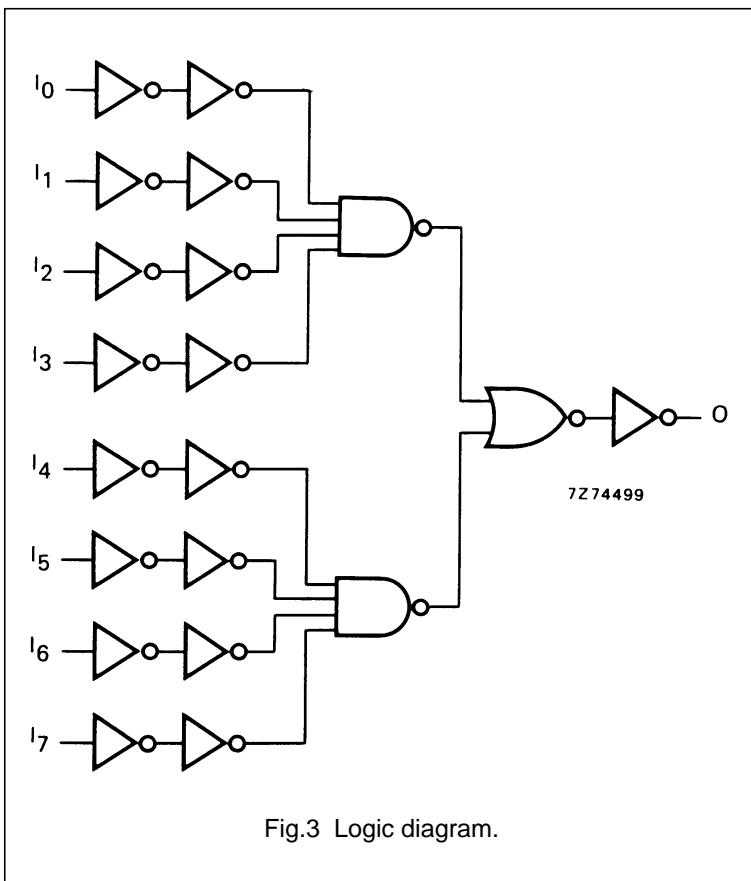
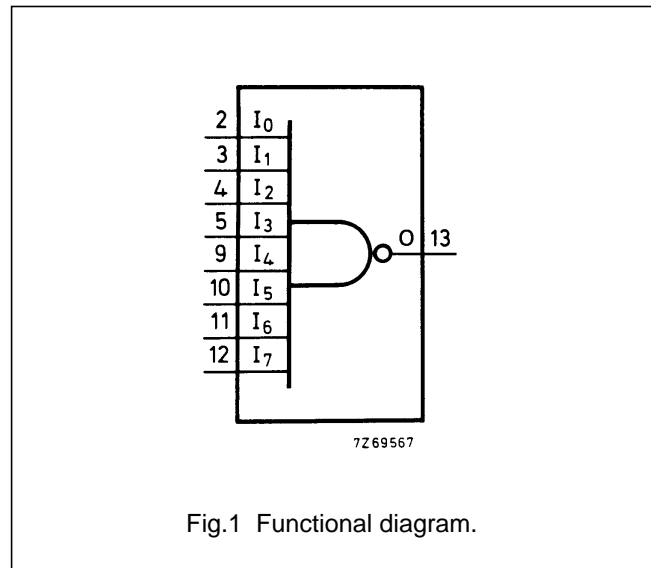
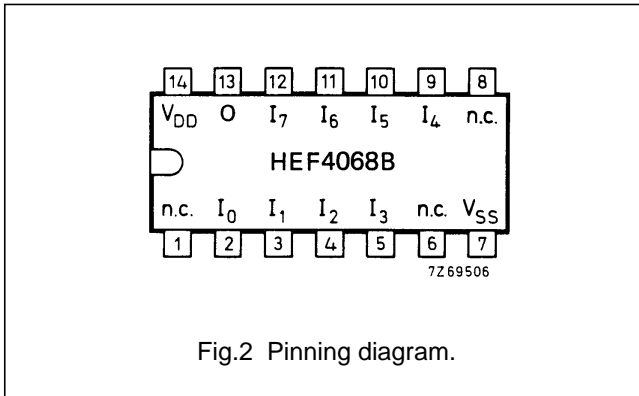
January 1995

8-input NAND gate

HEF4068B gates

DESCRIPTION

The HEF4068B provides the 8-input NAND function. The outputs are fully buffered for highest noise immunity and pattern insensitivity of output impedance.



- HEF4068BP(N): 14-lead DIL; plastic (SOT27-1)
- HEF4068BD(F): 14-lead DIL; ceramic (cerdip) (SOT73)
- HEF4068BT(D): 14-lead SO; plastic (SOT108-1)
- (): Package Designator North America

FAMILY DATA, I_{DD} LIMITS category GATES

See Family Specifications

8-input NAND gate

HEF4068B
gates**AC CHARACTERISTICS** $V_{SS} = 0$ V; $T_{amb} = 25$ °C; $C_L = 50$ pF; input transition times ≤ 20 ns

	V_{DD} V	SYMBOL	TYP.	MAX.		TYPICAL EXTRAPOLATION FORMULA						
Propagation delays $I_n \rightarrow O$	5	t_{PHL}	95	195	ns	68 ns + (0,55 ns/pF) C_L						
							HIGH to LOW	10	40	85	ns	29 ns + (0,23 ns/pF) C_L
								15	30	65	ns	22 ns + (0,16 ns/pF) C_L
	LOW to HIGH		5	t_{PLH}	80	165	ns	53 ns + (0,55 ns/pF) C_L				
			10		35	70	ns	24 ns + (0,23 ns/pF) C_L				
			15		30	60	ns	22 ns + (0,16 ns/pF) C_L				
Output transition times	5	t_{THL}	60	120	ns	10 ns + (1,0 ns/pF) C_L						
							HIGH to LOW	10	30	60	ns	9 ns + (0,42 ns/pF) C_L
								15	20	40	ns	6 ns + (0,28 ns/pF) C_L
	LOW to HIGH		5	t_{TLH}	60	120	ns	10 ns + (1,0 ns/pF) C_L				
			10		30	60	ns	9 ns + (0,42 ns/pF) C_L				
			15		20	40	ns	6 ns + (0,28 ns/pF) C_L				

	V_{DD} V	TYPICAL FORMULA FOR P (μ W)	
Dynamic power dissipation per package (P)	5	$700 f_i + \sum(f_o C_L) \times V_{DD}^2$	where f_i = input freq. (MHz) f_o = output freq. (MHz) C_L = load capacitance (pF) $\sum(f_o C_L)$ = sum of outputs V_{DD} = supply voltage (V)
	10	$2900 f_i + \sum(f_o C_L) \times V_{DD}^2$	
	15	$7200 f_i + \sum(f_o C_L) \times V_{DD}^2$	