

HD74LS283

4-bit Binary Full Adder

REJ03D0476-0300
Rev.3.00
Jul.15.2005

The HD74LS283 adder is electrically and functionally identical to the HD74LS83A, respectively; only the arrangement of the terminals has been changed.

This improved full adder performs the addition of two 4-bit binary words.

The sum (Σ) outputs are provided for each bit and the resultant carry (C_4) is obtained from the fourth bits generating the carry term in then nanoseconds.

The adder logic, including the carry, is implemented in its true form.

End around carry can be accomplished without the need for logic or level inversion.

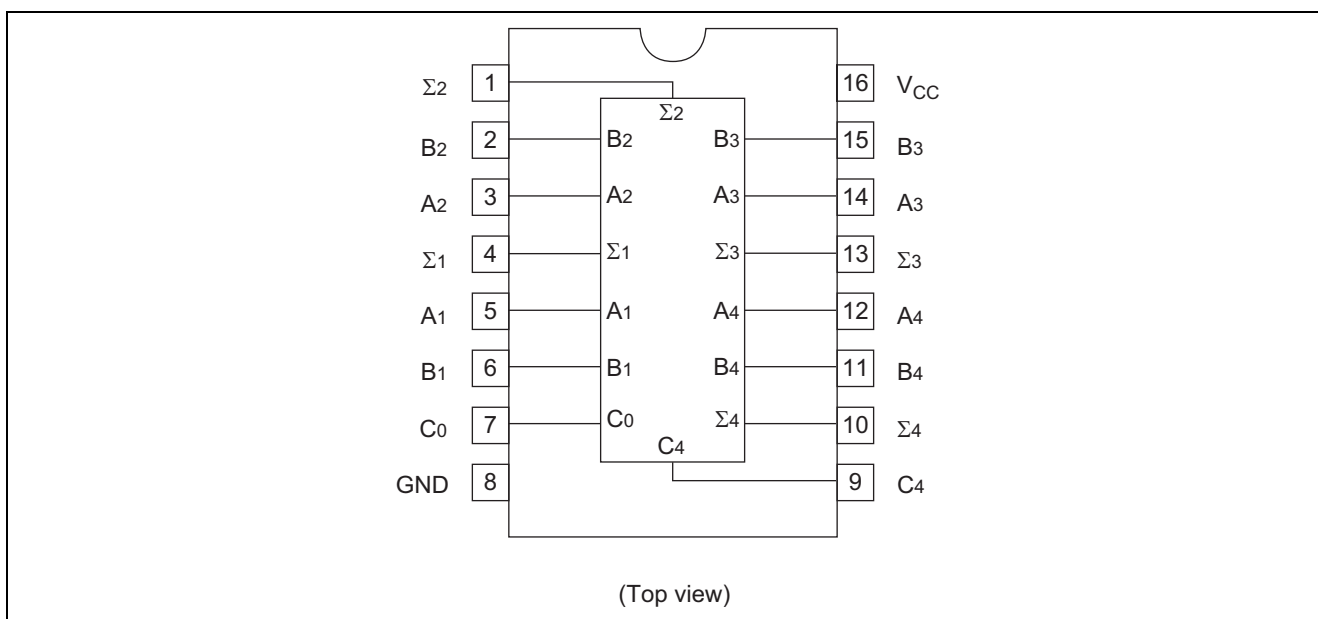
Features

- Ordering Information

Part Name	Package Type	Package Code (Previous Code)	Package Abbreviation	Taping Abbreviation (Quantity)
HD74LS283P	DILP-16 pin	PRDP0016AE-B (DP-16FV)	P	—
HD74LS283FPEL	SOP-16 pin (JEITA)	PRSP0016DH-B (FP-16DAV)	FP	EL (2,000 pcs/reel)

Note: Please consult the sales office for the above package availability.

Pin Arrangement



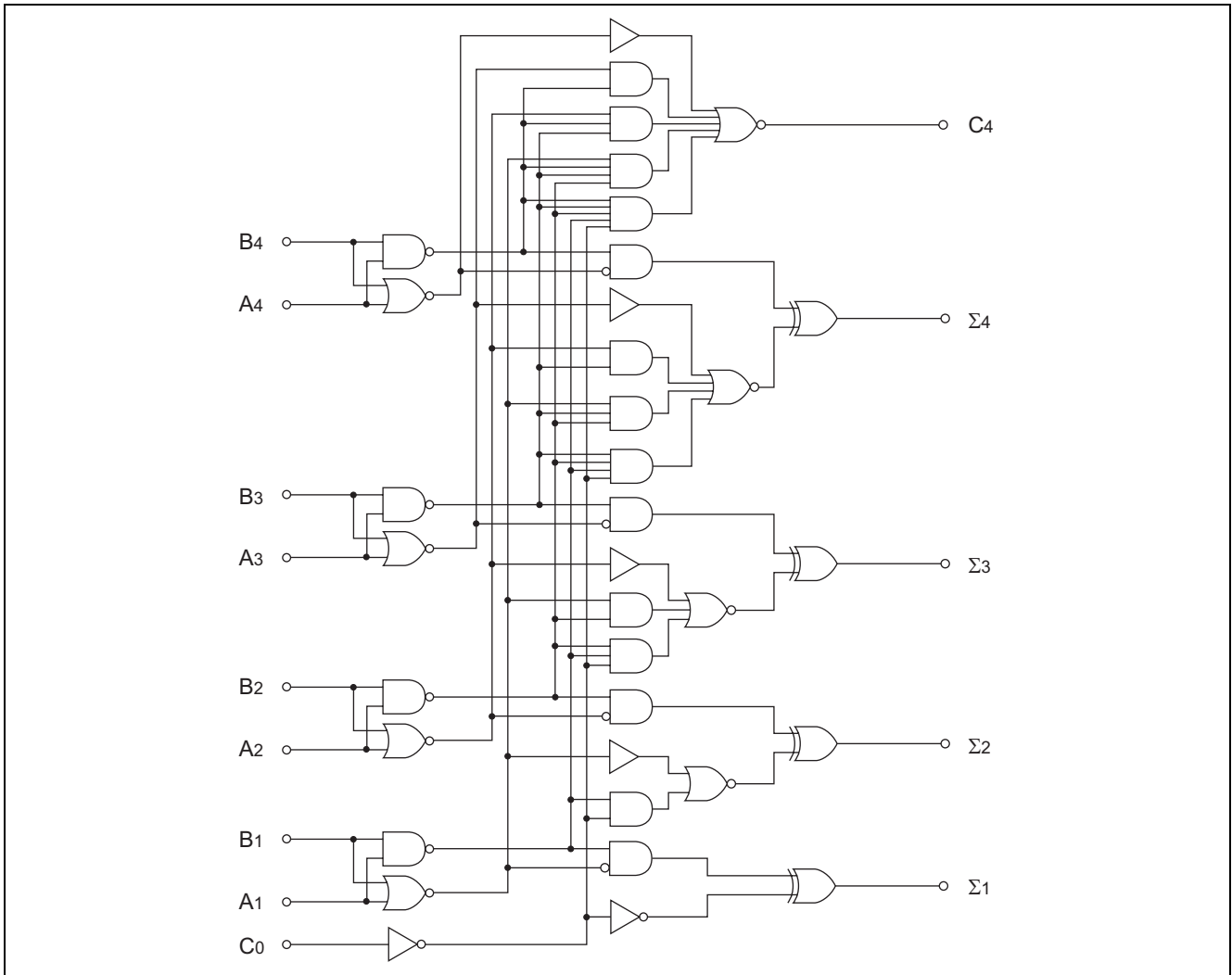
Function Table

Inputs				Outputs					
				When C ₀ = L			When C ₀ = H		
				When C ₂ = L			When C ₂ = H		
A ₁ A ₃	B ₁ B ₃	A ₂ A ₄	B ₂ B ₄	Σ ₁ Σ ₃	Σ ₂ Σ ₄	C ₂ C ₄	Σ ₁ Σ ₃	Σ ₂ Σ ₄	C ₂ C ₄
L	L	L	L	L	L	L	H	L	L
H	L	L	L	H	L	L	L	H	L
L	H	L	L	H	L	L	L	H	L
H	H	L	L	L	H	L	H	H	L
L	L	H	L	L	H	L	H	H	L
H	L	H	L	H	H	L	L	L	H
L	H	H	L	H	H	L	L	L	H
H	H	H	L	L	L	H	H	L	H
L	L	L	H	L	H	L	H	H	L
H	L	L	H	H	H	L	L	L	H
L	H	L	H	H	H	L	L	L	H
H	H	L	H	L	L	H	H	L	H
L	L	H	H	L	L	H	H	L	H
H	L	H	H	H	L	H	L	H	H
L	H	H	H	H	L	H	L	H	H
H	H	H	H	L	H	H	H	H	H

H; high level, L; low level

Note: Input conditions at A₁, B₁, A₂, B₂, and C₀ are used to determine outputs Σ₁ and Σ₂ and the value of the internal carry C₂. The values at C₂, A₃, B₃, A₄, and B₄ are then used to determine outputs Σ₃, Σ₄, and C₄.

Block Diagram



Absolute Maximum Ratings

Item	Symbol	Ratings	Unit
Supply voltage	V_{CC}	7	V
Input voltage	V_{IN}	7	V
Power dissipation	P_T	400	mW
Storage temperature	T_{stg}	-65 to +150	°C

Note: Voltage value, unless otherwise noted, are with respect to network ground terminal.

Recommended Operating Conditions

Item	Symbol	Min	Typ	Max	Unit
Supply voltage	V_{CC}	4.75	5.00	5.25	V
Output current	I_{OH}	—	—	-400	μA
	I_{OL}	—	—	8	mA
Operating temperature	T_{opr}	-20	25	75	°C

Electrical Characteristics

(Ta = -20 to +75 °C)

Item		Symbol	min.	typ.*	max.	Unit	Condition			
Input voltage		V _{IH}	2.0	—	—	V				
		V _{IL}	—	—	0.8	V				
Output voltage		V _{OH}	2.7	—	—	V	V _{CC} = 4.75 V, V _{IH} = 2 V, V _{IL} = 0.8 V, I _{OH} = -400 μA			
		V _{OL}	—	—	0.4	V	V _{CC} = 4.75 V, V _{IH} = 2 V, V _{IL} = 0.8 V	I _{OL} = 4 mA		
—	—		0.5	I _{OL} = 8 mA						
Input current	except C ₀	I _{IH}	—	—	40	μA	V _{CC} = 5.25 V, V _I = 2.7 V			
	C ₀		—	—	20					
	except C ₀	I _{IL}	—	—	-0.8	mA			V _{CC} = 5.25 V, V _I = 0.4 V	
	C ₀		—	—	-0.4					
except C ₀	I _I	—	—	0.2	mA	V _{CC} = 5.25 V, V _I = 7 V				
C ₀		—	—	0.1						
Short-circuit output current		I _{OS}	-20	—	-100			mA	V _{CC} = 5.25 V	
Supply current		I _{CC}	—	22	39			mA	All inputs grounded	V _{CC} = 5.25 V
			—	19	34	All B low other inputs at 4.5V				
			—	19	34	All inputs at 4.5V				
Input clamp voltage		V _{IK}	—	—	-1.5	V	V _{CC} = 4.75 V, I _{IN} = -18 mA			

Note: * V_{CC} = 5 V, Ta = 25°C

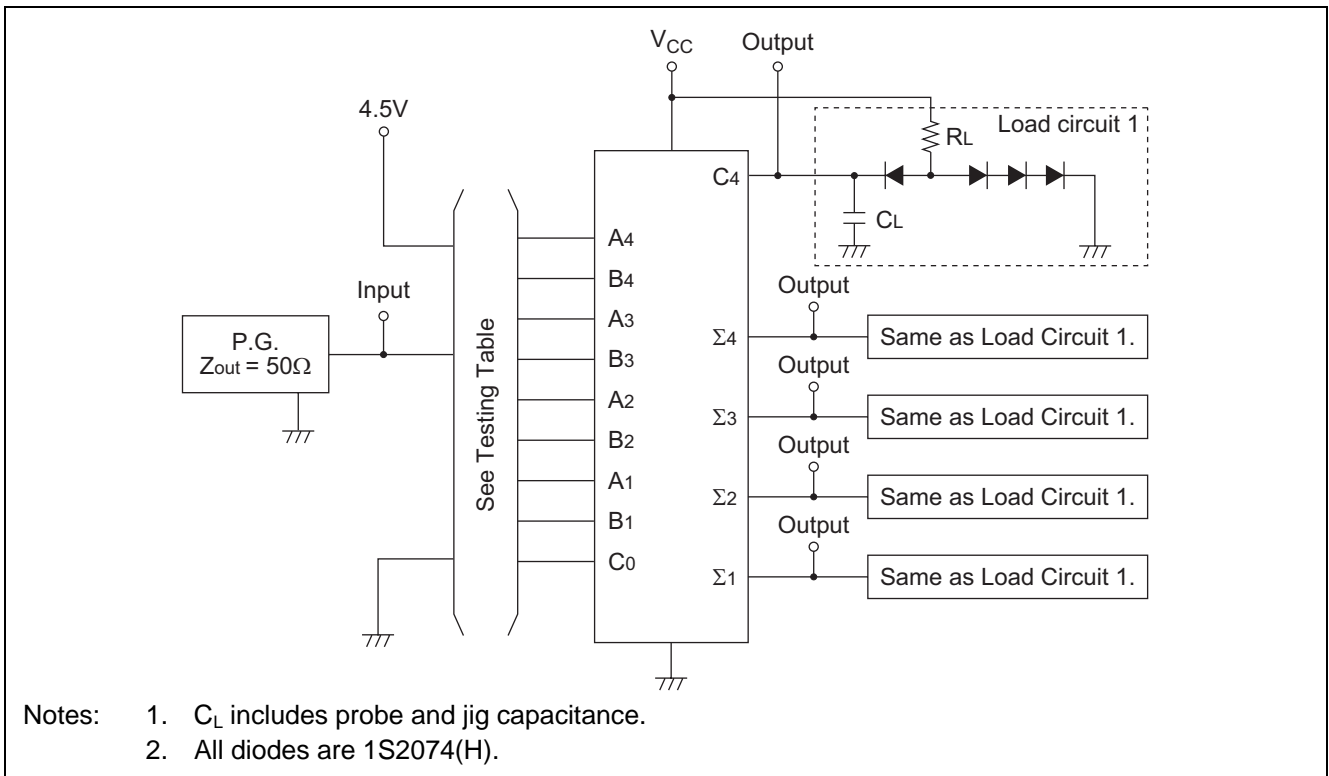
Switching Characteristics

(V_{CC} = 5 V, Ta = 25°C)

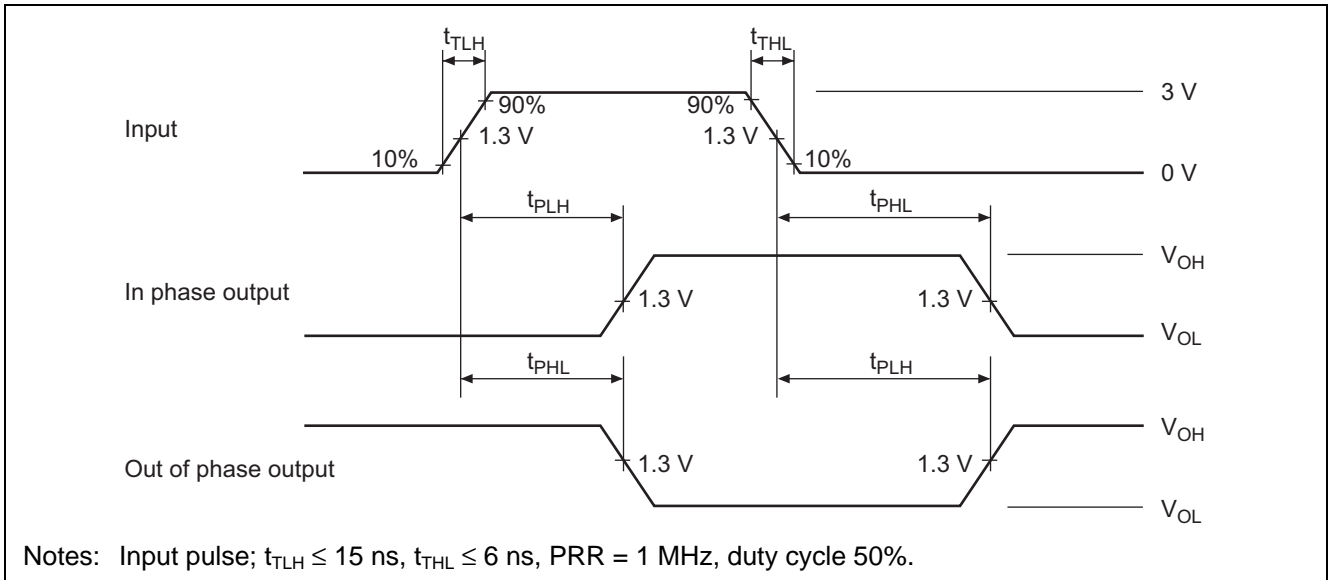
Item	Symbol	Inputs	Outputs	min.	typ.	max.	Unit	Condition
Propagation delay time	t _{PLH}	C ₀	Σi	—	16	24	ns	C _L = 15 pF, R _L = 2 kΩ
	t _{PHL}			—	15	24	ns	
	t _{PLH}	A _i , B _i	Σi	—	15	24	ns	
	t _{PHL}			—	15	24	ns	
	t _{PLH}	C ₀	C ₄	—	11	17	ns	
	t _{PHL}			—	11	22	ns	
	t _{PLH}	A _i , B _i	C ₄	—	11	17	ns	
	t _{PHL}			—	12	17	ns	

Testing Method

Test Circuit



Waveform

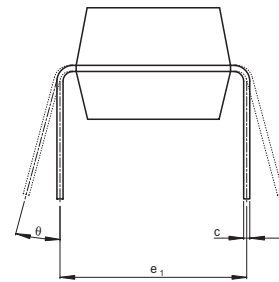
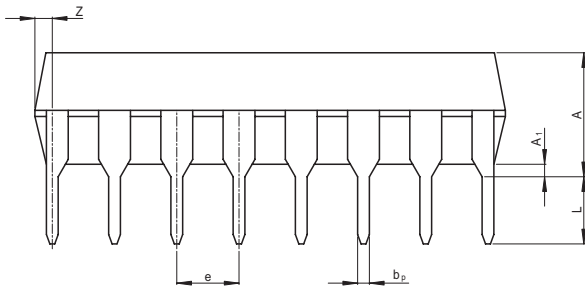
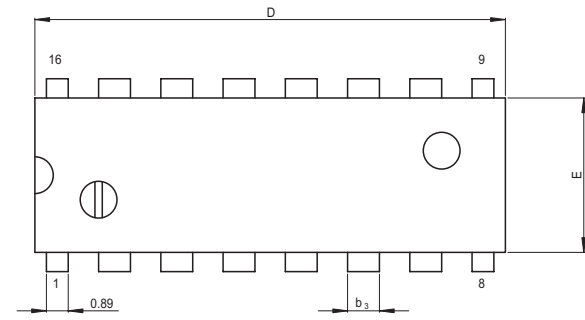


Testing Table

Item	From input to output	Inputs									Outputs						
		B ₄	A ₄	B ₃	A ₃	B ₂	A ₂	B ₁	A ₁	C ₀	C ₄	Σ ₄	Σ ₃	Σ ₂	Σ ₁		
t _{PLH} t _{PHL}	C ₀ →Σ _i or C ₄	GND	GND	GND	GND	GND	GND	GND	GND	GND	IN	—	—	—	—	OUT	
		GND	4.5V	GND	4.5V	GND	4.5V	GND	4.5V	GND	4.5V	IN	OUT	OUT	OUT	OUT	OUT
	A _i or B _i →Σ _i or C ₄	GND	GND	GND	GND	GND	GND	GND	GND	IN	GND	—	—	—	—	OUT	
									IN	GND							
		GND	GND	GND	GND	GND	GND	GND	GND	GND	IN	GND	—	—	—	OUT	—
										IN	GND						
		GND	GND	GND	IN	GND	GND	GND	GND	GND	GND	GND	—	—	OUT	—	—
				IN	GND												
		GND	IN	GND	GND	GND	GND	GND	GND	GND	GND	GND	—	OUT	—	—	—
		GND	GND	GND	GND	GND	GND	GND	GND	4.5V	IN	GND	—	—	—	OUT	OUT
										IN	4.5V						
		GND	GND	GND	GND	GND	GND	GND	GND	4.5V	IN	GND	—	—	OUT	OUT	—
										IN	4.5V						
GND	GND	4.5V	IN	GND	GND	GND	GND	GND	GND	GND	—	OUT	OUT	—	—		
		IN	4.5V														
4.5V	IN	GND	GND	GND	GND	GND	GND	GND	GND	GND	OUT	OUT	—	—	—		
																IN	4.5V

Package Dimensions

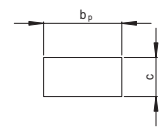
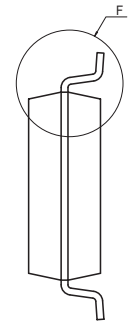
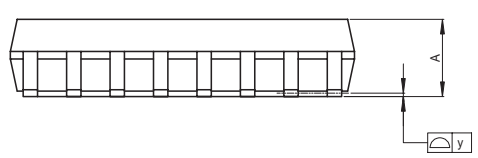
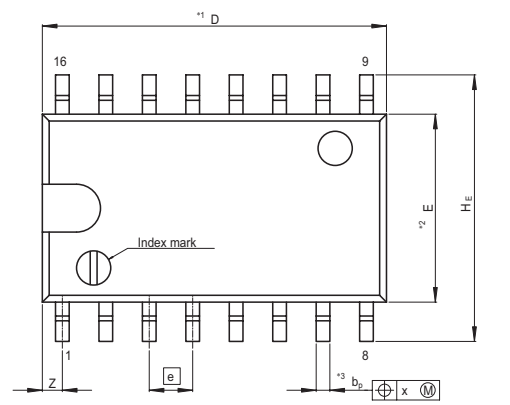
JEITA Package Code	RENESAS Code	Previous Code	MASS[Typ.]
P-DIP16-6.3x19.2-2.54	PRDP0016AE-B	DP-16FV	1.05g



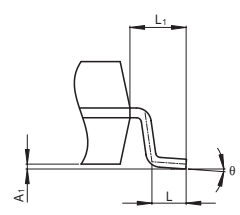
(Ni/Pd/Au plating)

Reference Symbol	Dimension in Millimeters		
	Min	Nom	Max
e ₁	—	7.62	—
D	—	19.2	20.32
E	—	6.3	7.4
A	—	—	5.06
A ₁	0.51	—	—
b _p	0.40	0.48	0.56
b ₃	—	1.30	—
c	0.19	0.25	0.31
θ	0°	—	15°
e	2.29	2.54	2.79
Z	—	—	1.12
L	2.54	—	—

JEITA Package Code	RENESAS Code	Previous Code	MASS[Typ.]
P-SOP16-5.5x10.06-1.27	PRSP0016DH-B	FP-16DAV	0.24g



Terminal cross section (Ni/Pd/Au plating)



Detail F

NOTE)
 1. DIMENSIONS*1 (Nom)*AND*2 DO NOT INCLUDE MOLD FLASH.
 2. DIMENSION*3*DOES NOT INCLUDE TRIM OFFSET.

Reference Symbol	Dimension in Millimeters		
	Min	Nom	Max
D	—	10.06	10.5
E	—	5.50	—
A ₂	—	—	—
A ₁	0.00	0.10	0.20
A	—	—	2.20
b _p	0.34	0.40	0.46
b ₁	—	—	—
c	0.15	0.20	0.25
c ₁	—	—	—
θ	0°	—	8°
H _E	7.50	7.80	8.00
a	—	1.27	—
x	—	—	0.12
y	—	—	0.15
Z	—	—	0.80
L	0.50	0.70	0.90
L ₁	—	1.15	—

RENESAS Technology Corp. Sales Strategic Planning Div. Nippon Bldg., 2-6-2, Ohte-machi, Chiyoda-ku, Tokyo 100-0004, Japan

Keep safety first in your circuit designs!

1. Renesas Technology Corp. puts the maximum effort into making semiconductor products better and more reliable, but there is always the possibility that trouble may occur with them. Trouble with semiconductors may lead to personal injury, fire or property damage. Remember to give due consideration to safety when making your circuit designs, with appropriate measures such as (i) placement of substitutive, auxiliary circuits, (ii) use of nonflammable material or (iii) prevention against any malfunction or mishap.

Notes regarding these materials

1. These materials are intended as a reference to assist our customers in the selection of the Renesas Technology Corp. product best suited to the customer's application; they do not convey any license under any intellectual property rights, or any other rights, belonging to Renesas Technology Corp. or a third party.
2. Renesas Technology Corp. assumes no responsibility for any damage, or infringement of any third-party's rights, originating in the use of any product data, diagrams, charts, programs, algorithms, or circuit application examples contained in these materials.
3. All information contained in these materials, including product data, diagrams, charts, programs and algorithms represents information on products at the time of publication of these materials, and are subject to change by Renesas Technology Corp. without notice due to product improvements or other reasons. It is therefore recommended that customers contact Renesas Technology Corp. or an authorized Renesas Technology Corp. product distributor for the latest product information before purchasing a product listed herein.
The information described here may contain technical inaccuracies or typographical errors.
Renesas Technology Corp. assumes no responsibility for any damage, liability, or other loss rising from these inaccuracies or errors.
Please also pay attention to information published by Renesas Technology Corp. by various means, including the Renesas Technology Corp. Semiconductor home page (<http://www.renesas.com>).
4. When using any or all of the information contained in these materials, including product data, diagrams, charts, programs, and algorithms, please be sure to evaluate all information as a total system before making a final decision on the applicability of the information and products. Renesas Technology Corp. assumes no responsibility for any damage, liability or other loss resulting from the information contained herein.
5. Renesas Technology Corp. semiconductors are not designed or manufactured for use in a device or system that is used under circumstances in which human life is potentially at stake. Please contact Renesas Technology Corp. or an authorized Renesas Technology Corp. product distributor when considering the use of a product contained herein for any specific purposes, such as apparatus or systems for transportation, vehicular, medical, aerospace, nuclear, or undersea repeater use.
6. The prior written approval of Renesas Technology Corp. is necessary to reprint or reproduce in whole or in part these materials.
7. If these products or technologies are subject to the Japanese export control restrictions, they must be exported under a license from the Japanese government and cannot be imported into a country other than the approved destination.
Any diversion or reexport contrary to the export control laws and regulations of Japan and/or the country of destination is prohibited.
8. Please contact Renesas Technology Corp. for further details on these materials or the products contained therein.



RENESAS SALES OFFICES

<http://www.renesas.com>

Refer to "<http://www.renesas.com/en/network>" for the latest and detailed information.

Renesas Technology America, Inc.

450 Holger Way, San Jose, CA 95134-1368, U.S.A
Tel: <1> (408) 382-7500, Fax: <1> (408) 382-7501

Renesas Technology Europe Limited

Dukes Meadow, Millboard Road, Bourne End, Buckinghamshire, SL8 5FH, U.K.
Tel: <44> (1628) 585-100, Fax: <44> (1628) 585-900

Renesas Technology Hong Kong Ltd.

7th Floor, North Tower, World Finance Centre, Harbour City, 1 Canton Road, Tsimshatsui, Kowloon, Hong Kong
Tel: <852> 2265-6688, Fax: <852> 2730-6071

Renesas Technology Taiwan Co., Ltd.

10th Floor, No.99, Fushing North Road, Taipei, Taiwan
Tel: <886> (2) 2715-2888, Fax: <886> (2) 2713-2999

Renesas Technology (Shanghai) Co., Ltd.

Unit2607 Ruijing Building, No.205 Maoming Road (S), Shanghai 200020, China
Tel: <86> (21) 6472-1001, Fax: <86> (21) 6415-2952

Renesas Technology Singapore Pte. Ltd.

1 Harbour Front Avenue, #06-10, Keppel Bay Tower, Singapore 098632
Tel: <65> 6213-0200, Fax: <65> 6278-8001

Renesas Technology Korea Co., Ltd.

Kukje Center Bldg. 18th Fl., 191, 2-ka, Hangang-ro, Yongsan-ku, Seoul 140-702, Korea
Tel: <82> 2-796-3115, Fax: <82> 2-796-2145

Renesas Technology Malaysia Sdn. Bhd.

Unit 906, Block B, Menara Amcorp, Amcorp Trade Centre, No.18, Jalan Persiaran Barat, 46050 Petaling Jaya, Selangor Darul Ehsan, Malaysia
Tel: <603> 7955-9390, Fax: <603> 7955-9510