

HD74HC390

Dual Decade Counters

REJ03D0624-0200
 (Previous ADE-205-503)
 Rev.2.00
 Mar 30, 2006

Description

The HD74HC390 incorporate dual decade counters, each composed of a divide-by-two and a divide-by-five counter. The divide-by-two and divide-by-five counters can be cascaded to form dual decade, dual bi-quinary, or various combinations up to a single divide-by-100 counter.

The HD74HC390 is incremented on the high to low transition (negative edge) of the clock input, and each has an independent clear input. When clear is set high all four bits of each counter are set to a low level. This enables count truncation and allows the implementation of divide-by-N counter configurations.


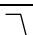
Features

- High Speed Operation: t_{pd} (Clock A to Q_A) = 11 ns typ ($C_L = 50$ pF)
- High Output Current: Fanout of 10 LSTTL Loads
- Wide Operating Voltage: $V_{CC} = 2$ to 6 V
- Low Input Current: 1 μ A max
- Low Quiescent Supply Current: I_{CC} (static) = 4 μ A max ($T_a = 25^\circ\text{C}$)
- Ordering Information

| Part Name | Package Type | Package Code (Previous Code) | Package Abbreviation | Taping Abbreviation (Quantity) |
|---------------|--------------------|------------------------------|----------------------|--------------------------------|
| HD74HC390P | DILP-16 pin | PRDP0016AE-B (DP-16FV) | P | — |
| HD74HC390FPEL | SOP-16 pin (JEITA) | PRSP0016DH-B (FP-16DAV) | FP | EL (2,000 pcs/reel) |

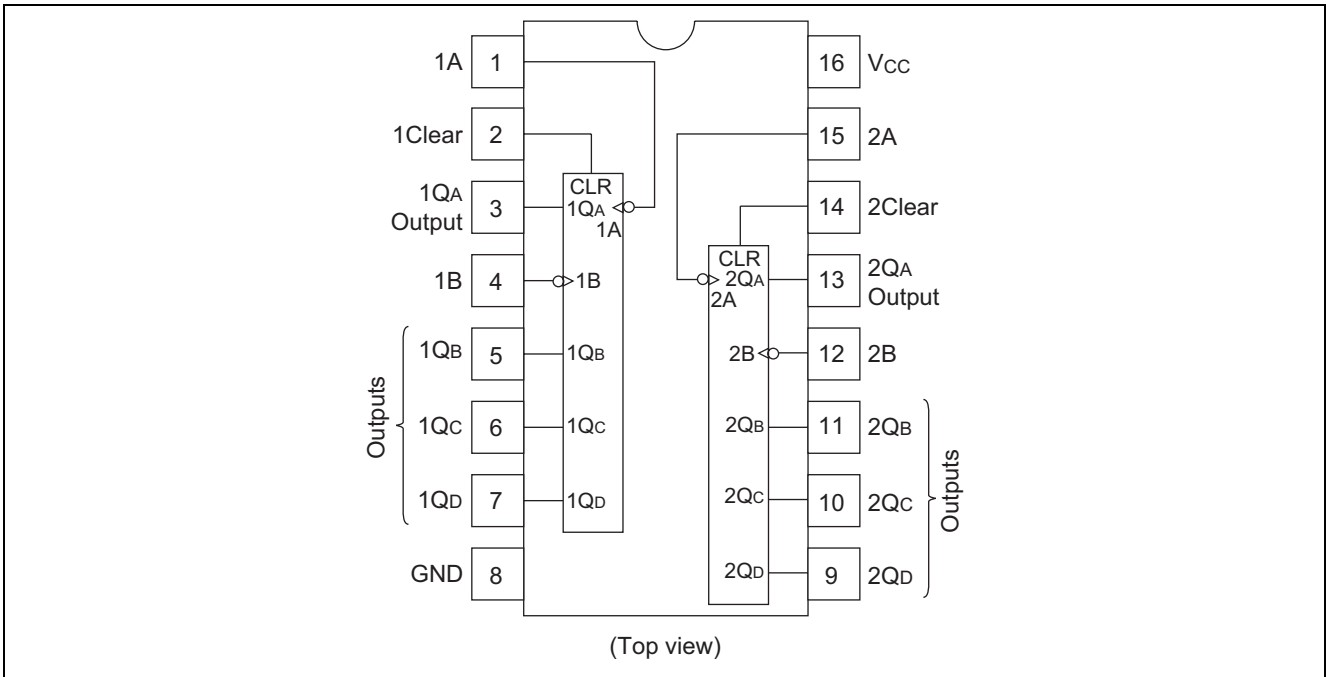
Note: Please consult the sales office for the above package availability.

Function Table

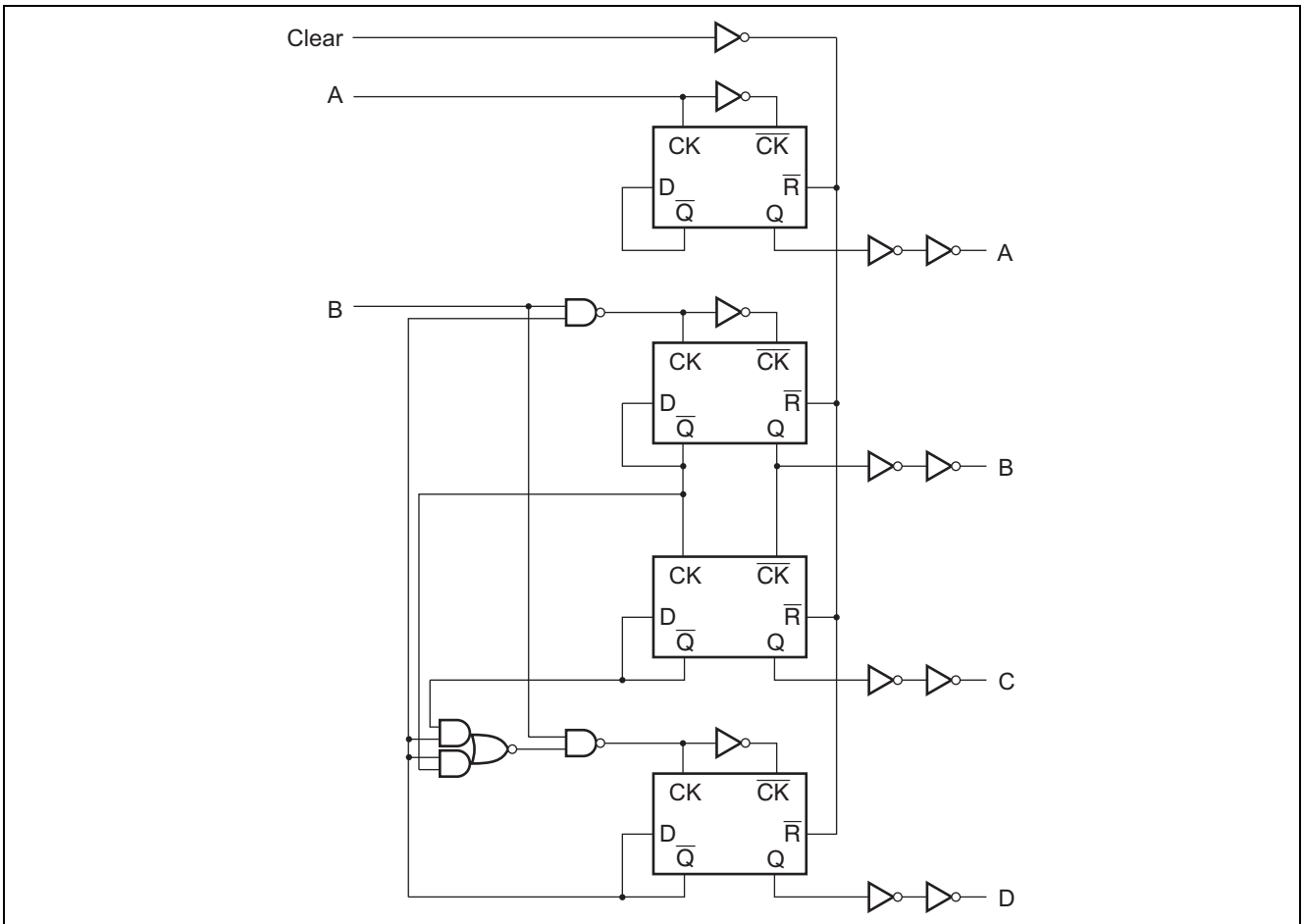
| Clock | | Clear | Operation |
|---|---|-------|-----------------------------|
| A | B | | |
| X | X | H | Clear $\div 2$ and $\div 5$ |
|  | X | L | Increment $\div 2$ |
| X |  | L | Increment $\div 5$ |

Note: 1. H; High level, L; Low level, X; Irrelevant, Z; High impedance

Pin Arrangement



Logic Diagram



Absolute Maximum Ratings

| Item | Symbol | Ratings | Unit |
|------------------------------|-----------------------|------------------------|-------------|
| Supply voltage range | V_{CC} | -0.5 to 7.0 | V |
| Input / Output voltage | V_{IN}, V_{OUT} | -0.5 to $V_{CC} + 0.5$ | V |
| Input / Output diode current | I_{IK}, I_{OK} | ± 20 | mA |
| Output current | I_{OUT} | ± 25 | mA |
| V_{CC} , GND current | I_{CC} or I_{GND} | ± 50 | mA |
| Power dissipation | P_T | 500 | mW |
| Storage temperature | T_{stg} | -65 to +150 | $^{\circ}C$ |

Note: The absolute maximum ratings are values, which must not individually be exceeded, and furthermore, no two of which may be realized at the same time.

Recommended Operating Conditions

| Item | Symbol | Ratings | Unit | Conditions |
|--------------------------------------|-------------------|---------------|-------------|------------------|
| Supply voltage | V_{CC} | 2 to 6 | V | |
| Input / Output voltage | V_{IN}, V_{OUT} | 0 to V_{CC} | V | |
| Operating temperature | T_a | -40 to 85 | $^{\circ}C$ | |
| Input rise / fall time ^{*1} | t_r, t_f | 0 to 1000 | ns | $V_{CC} = 2.0$ V |
| | | 0 to 500 | | $V_{CC} = 4.5$ V |
| | | 0 to 400 | | $V_{CC} = 6.0$ V |

Note: 1. This item guarantees maximum limit when one input switches.

Waveform: Refer to test circuit of switching characteristics.

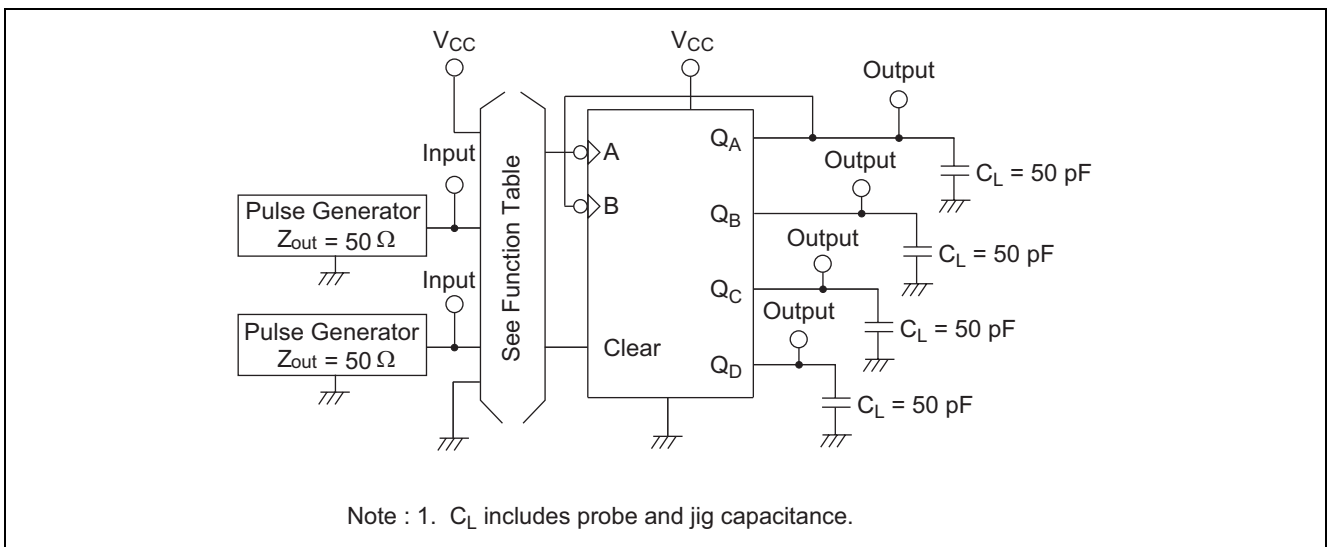
Electrical Characteristics

| Item | Symbol | V_{CC} (V) | $T_a = 25^{\circ}C$ | | | $T_a = -40$ to $+85^{\circ}C$ | | Unit | Test Conditions | |
|--------------------------|----------|--------------|---------------------|-----|-----------|-------------------------------|-----------|---------|---|------------------------|
| | | | Min | Typ | Max | Min | Max | | | |
| Input voltage | V_{IH} | 2.0 | 1.5 | — | — | 1.5 | — | V | | |
| | | 4.5 | 3.15 | — | — | 3.15 | — | | | |
| | | 6.0 | 4.2 | — | — | 4.2 | — | | | |
| | V_{IL} | 2.0 | — | — | 0.5 | — | 0.5 | V | | |
| | | 4.5 | — | — | 1.35 | — | 1.35 | | | |
| | | 6.0 | — | — | 1.8 | — | 1.8 | | | |
| Output voltage | V_{OH} | 2.0 | 1.9 | 2.0 | — | 1.9 | — | V | $V_{in} = V_{IH}$ or V_{IL} | $I_{OH} = -20$ μA |
| | | 4.5 | 4.4 | 4.5 | — | 4.4 | — | | | $I_{OH} = -4$ mA |
| | | 6.0 | 5.9 | 6.0 | — | 5.9 | — | | | $I_{OH} = -5.2$ mA |
| | | 4.5 | 4.18 | — | — | 4.13 | — | | | |
| | | 6.0 | 5.68 | — | — | 5.63 | — | | | |
| | V_{OL} | 2.0 | — | 0.0 | 0.1 | — | 0.1 | V | $V_{in} = V_{IH}$ or V_{IL} | $I_{OL} = 20$ μA |
| | | 4.5 | — | 0.0 | 0.1 | — | 0.1 | | | |
| | | 6.0 | — | 0.0 | 0.1 | — | 0.1 | | | |
| | | 4.5 | — | — | 0.26 | — | 0.33 | | | $I_{OH} = 4$ mA |
| | | 6.0 | — | — | 0.26 | — | 0.33 | | | $I_{OH} = 5.2$ mA |
| Input current | I_{in} | 6.0 | — | — | ± 0.1 | — | ± 1.0 | μA | $V_{in} = V_{CC}$ or GND | |
| Quiescent supply current | I_{CC} | 6.0 | — | — | 4.0 | — | 40 | μA | $V_{in} = V_{CC}$ or GND, $I_{out} = 0$ μA | |

Switching Characteristics ($C_L = 50 \text{ pF}$, Input $t_r = t_f = 6 \text{ ns}$)

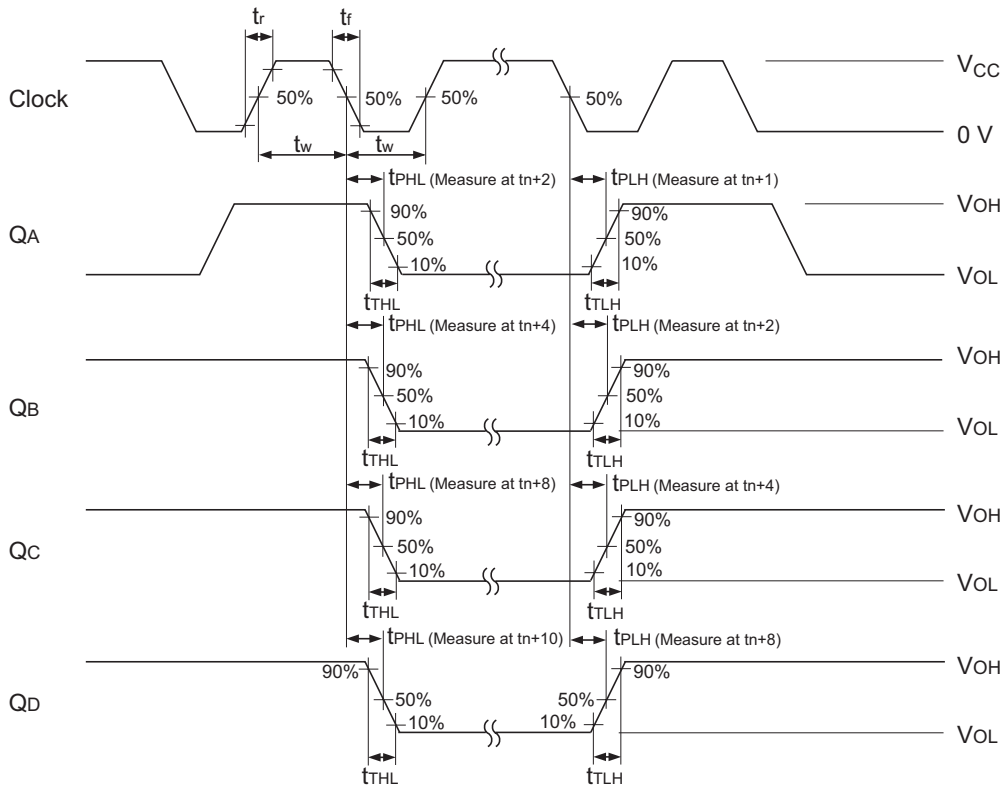
| Item | Symbol | $V_{CC} \text{ (V)}$ | $T_a = 25^\circ\text{C}$ | | | $T_a = -40 \text{ to } +85^\circ\text{C}$ | | Unit | Test Conditions |
|-------------------------|------------------------|----------------------|--------------------------|-----|-----|---|-----|-------------------------------|---|
| | | | Min | Typ | Max | Min | Max | | |
| Maximum clock frequency | f_{max} | 2.0 | — | — | 5 | — | 4 | MHz | |
| | | 4.5 | — | — | 27 | — | 21 | | |
| | | 6.0 | — | — | 32 | — | 25 | | |
| Propagation delay time | t_{PLH} | 2.0 | — | — | 120 | — | 150 | ns | Clock A to Q_A |
| | | 4.5 | — | 11 | 24 | — | 30 | | |
| | | 6.0 | — | — | 20 | — | 26 | | |
| | t_{PHL} | 2.0 | — | — | 290 | — | 365 | ns | Clock A to Q_C (Q_A connected to Clock B) |
| | | 4.5 | — | 32 | 58 | — | 73 | | |
| | | 6.0 | — | — | 49 | — | 62 | | |
| | t_{PLH} | 2.0 | — | — | 130 | — | 165 | ns | Clock B to Q_B |
| | | 4.5 | — | 16 | 26 | — | 33 | | |
| | | 6.0 | — | — | 22 | — | 28 | | |
| | t_{PHL} | 2.0 | — | — | 185 | — | 230 | ns | Clock B to Q_C |
| | | 4.5 | — | 20 | 37 | — | 46 | | |
| | | 6.0 | — | — | 31 | — | 39 | | |
| | t_{PLH} | 2.0 | — | — | 130 | — | 165 | ns | Clock B to Q_D |
| | | 4.5 | — | 15 | 26 | — | 33 | | |
| | | 6.0 | — | — | 22 | — | 28 | | |
| t_{PHL} | 2.0 | — | — | 165 | — | 205 | ns | Clear to Q_A, Q_B, Q_C, Q_D | |
| | 4.5 | — | 14 | 33 | — | 41 | | | |
| | 6.0 | — | — | 28 | — | 35 | | | |
| Pulse width | t_w | 2.0 | 80 | — | — | 100 | — | ns | |
| | | 4.5 | 16 | 8 | — | 20 | — | | |
| | | 6.0 | 14 | — | — | 17 | — | | |
| Removal time | t_h | 2.0 | 25 | — | — | 31 | — | ns | |
| | | 4.5 | 5 | 1 | — | 6 | — | | |
| | | 6.0 | 4 | — | — | 5 | — | | |
| Output rise/fall time | t_{TLH} t_{THL} | 2.0 | — | — | 75 | — | 95 | ns | |
| | | 4.5 | — | 5 | 15 | — | 19 | | |
| | | 6.0 | — | — | 13 | — | 16 | | |
| Input capacitance | C_{in} | — | — | 5 | 10 | — | 10 | pF | |

Test Circuit



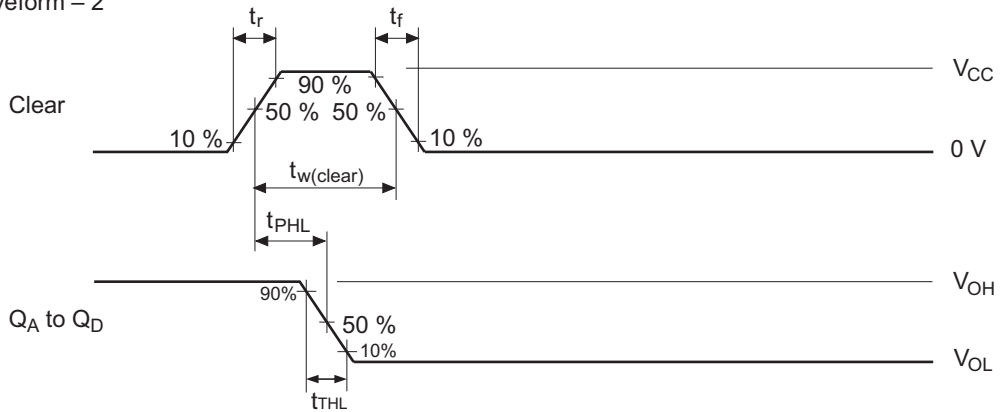
Waveforms

• Waveform – 1



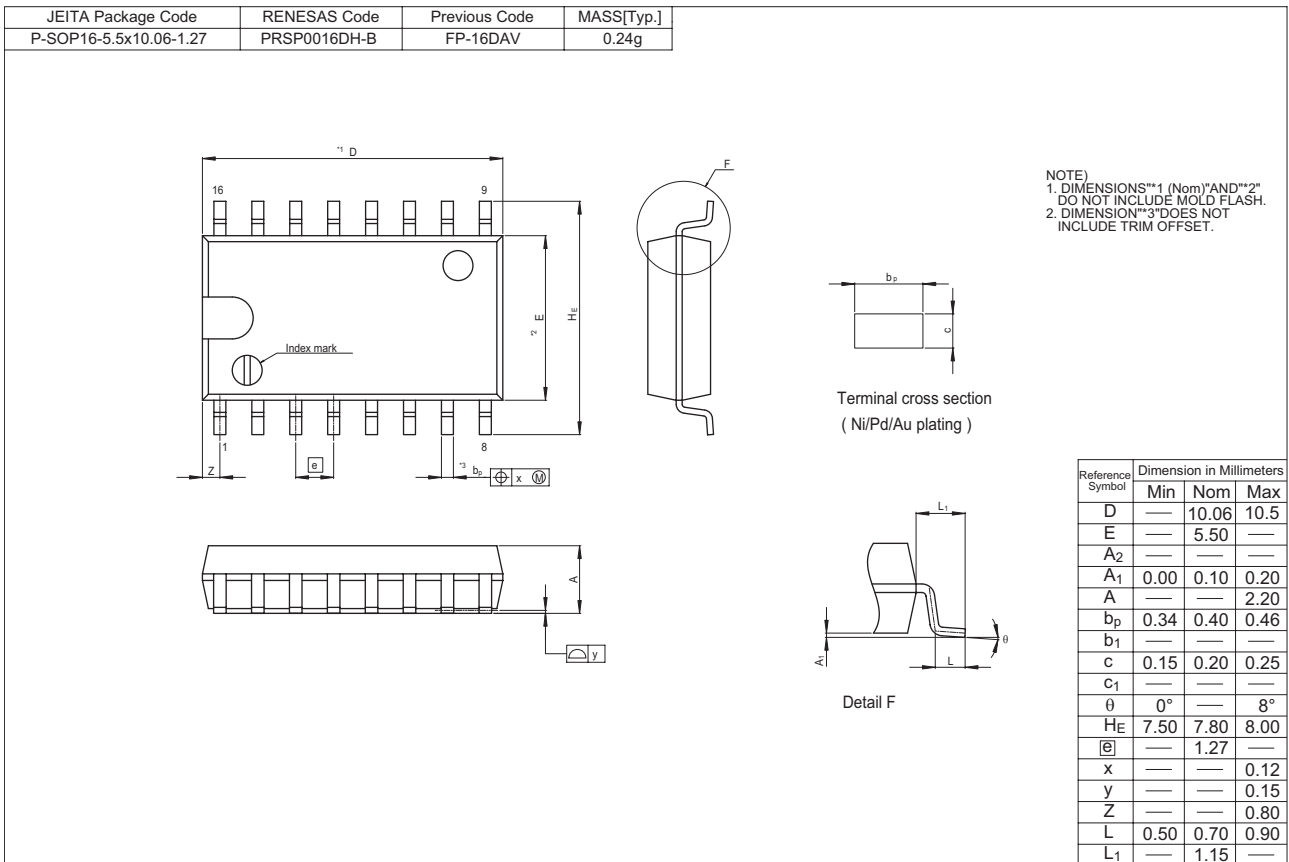
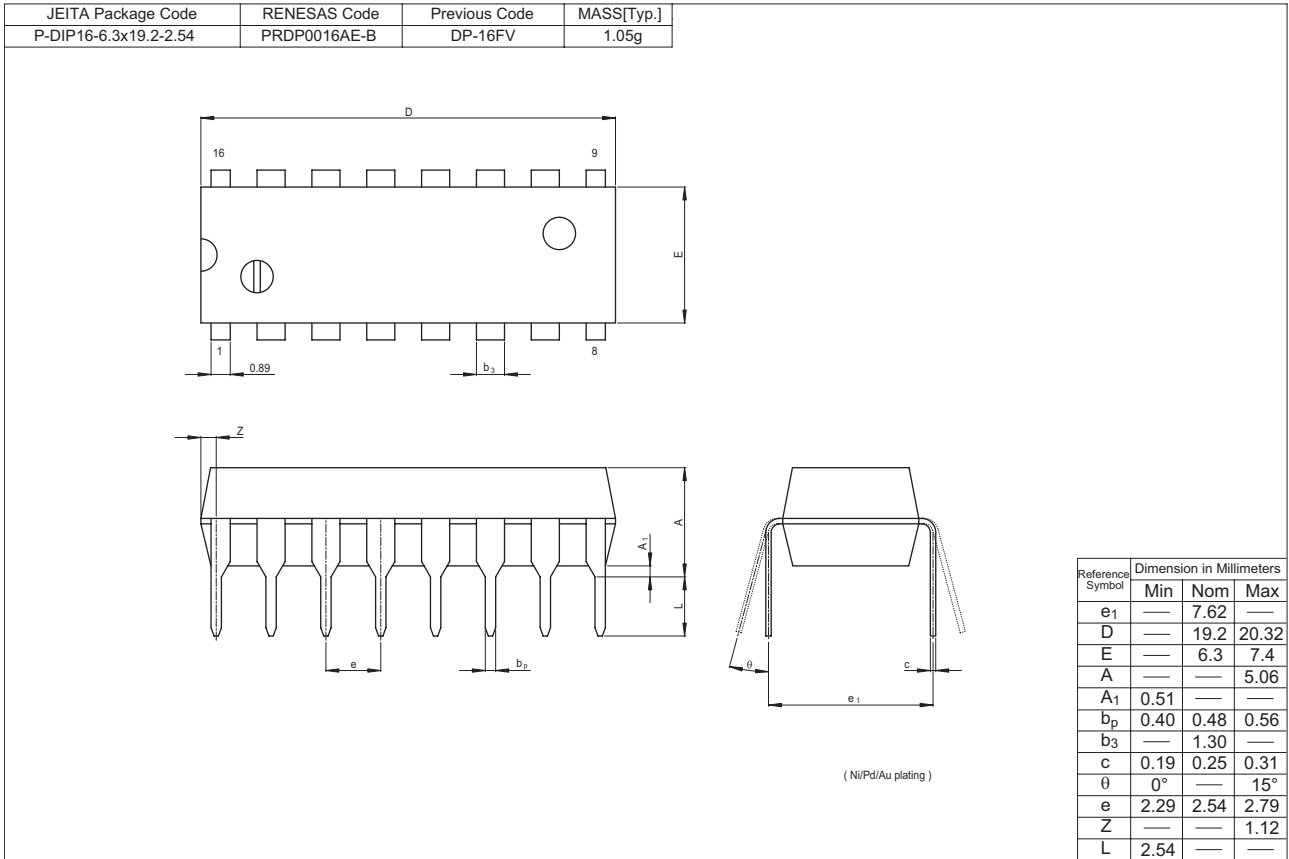
Notes: 1. Input waveform: $PRR \leq 1 \text{ MHz}$, $Z_o = 50 \Omega$, $t_r \leq 6 \text{ ns}$, $t_f \leq 6 \text{ ns}$
 2. t_n is bit time with all outputs at low.

• Waveform – 2



Notes: 1. Input waveform: $PRR \leq 1 \text{ MHz}$, $Z_o = 50 \Omega$, $t_r \leq 6 \text{ ns}$, $t_f \leq 6 \text{ ns}$
 2. The output are measured one at a time with one transition per measurement.

Package Dimensions



Keep safety first in your circuit designs!

1. Renesas Technology Corp. puts the maximum effort into making semiconductor products better and more reliable, but there is always the possibility that trouble may occur with them. Trouble with semiconductors may lead to personal injury, fire or property damage.
Remember to give due consideration to safety when making your circuit designs, with appropriate measures such as (i) placement of substitutive, auxiliary circuits, (ii) use of nonflammable material or (iii) prevention against any malfunction or mishap.

Notes regarding these materials

1. These materials are intended as a reference to assist our customers in the selection of the Renesas Technology Corp. product best suited to the customer's application; they do not convey any license under any intellectual property rights, or any other rights, belonging to Renesas Technology Corp. or a third party.
 2. Renesas Technology Corp. assumes no responsibility for any damage, or infringement of any third-party's rights, originating in the use of any product data, diagrams, charts, programs, algorithms, or circuit application examples contained in these materials.
 3. All information contained in these materials, including product data, diagrams, charts, programs and algorithms represents information on products at the time of publication of these materials, and are subject to change by Renesas Technology Corp. without notice due to product improvements or other reasons. It is therefore recommended that customers contact Renesas Technology Corp. or an authorized Renesas Technology Corp. product distributor for the latest product information before purchasing a product listed herein.
The information described here may contain technical inaccuracies or typographical errors.
Renesas Technology Corp. assumes no responsibility for any damage, liability, or other loss rising from these inaccuracies or errors.
Please also pay attention to information published by Renesas Technology Corp. by various means, including the Renesas Technology Corp. Semiconductor home page (<http://www.renesas.com>).
 4. When using any or all of the information contained in these materials, including product data, diagrams, charts, programs, and algorithms, please be sure to evaluate all information as a total system before making a final decision on the applicability of the information and products. Renesas Technology Corp. assumes no responsibility for any damage, liability or other loss resulting from the information contained herein.
 5. Renesas Technology Corp. semiconductors are not designed or manufactured for use in a device or system that is used under circumstances in which human life is potentially at stake. Please contact Renesas Technology Corp. or an authorized Renesas Technology Corp. product distributor when considering the use of a product contained herein for any specific purposes, such as apparatus or systems for transportation, vehicular, medical, aerospace, nuclear, or undersea repeater use.
 6. The prior written approval of Renesas Technology Corp. is necessary to reprint or reproduce in whole or in part these materials.
 7. If these products or technologies are subject to the Japanese export control restrictions, they must be exported under a license from the Japanese government and cannot be imported into a country other than the approved destination.
Any diversion or reexport contrary to the export control laws and regulations of Japan and/or the country of destination is prohibited.
 8. Please contact Renesas Technology Corp. for further details on these materials or the products contained therein.
-



RENESAS SALES OFFICES

<http://www.renesas.com>

Refer to "<http://www.renesas.com/en/network>" for the latest and detailed information.

Renesas Technology America, Inc.

450 Holger Way, San Jose, CA 95134-1368, U.S.A
Tel: <1> (408) 382-7500, Fax: <1> (408) 382-7501

Renesas Technology Europe Limited

Dukes Meadow, Millboard Road, Bourne End, Buckinghamshire, SL8 5FH, U.K.
Tel: <44> (1628) 585-100, Fax: <44> (1628) 585-900

Renesas Technology (Shanghai) Co., Ltd.

Unit 204, 205, AZIACenter, No.1233 Lujiazui Ring Rd, Pudong District, Shanghai, China 200120
Tel: <86> (21) 5877-1818, Fax: <86> (21) 6887-7898

Renesas Technology Hong Kong Ltd.

7th Floor, North Tower, World Finance Centre, Harbour City, 1 Canton Road, Tsimshatsui, Kowloon, Hong Kong
Tel: <852> 2265-6688, Fax: <852> 2730-6071

Renesas Technology Taiwan Co., Ltd.

10th Floor, No.99, Fushing North Road, Taipei, Taiwan
Tel: <886> (2) 2715-2888, Fax: <886> (2) 2713-2999

Renesas Technology Singapore Pte. Ltd.

1 Harbour Front Avenue, #06-10, Keppel Bay Tower, Singapore 098632
Tel: <65> 6213-0200, Fax: <65> 6278-8001

Renesas Technology Korea Co., Ltd.

Kukje Center Bldg. 18th Fl., 191, 2-ka, Hangang-ro, Yongsan-ku, Seoul 140-702, Korea
Tel: <82> (2) 796-3115, Fax: <82> (2) 796-2145

Renesas Technology Malaysia Sdn. Bhd

Unit 906, Block B, Menara Amcorp, Amcorp Trade Centre, No.18, Jalan Persiaran Barat, 46050 Petaling Jaya, Selangor Darul Ehsan, Malaysia
Tel: <603> 7955-9390, Fax: <603> 7955-9510