

# HD63484

## Advanced CRT Controller (ACRTC)

The advanced CRT controller (ACRTC) CMOS VLSI microcomputer peripheral device can display both graphics and characters on raster-scan displays. It is a new generation CRT controller based on bitmapped technology. It executes high-level commands, like Line, Ellipse, Paint, Pattern, and Copy, issued by the MPU in screen X-Y coordinates, and performs the address translation necessary to draw into frame memory. It can draw in up to 64k colors, on three split screens and an independent window, and perform area clipping and hitting.

The ACRTC controls a CRT in one of three modes: character only, graphics only, and multiplexed character/graphics modes. Therefore, the ACRTC has many applications, from character-only displays to large full-graphics systems.

The ACRTC reduces CPU software overhead and enhances system throughput.

### Features

- High-speed graphics
  - Drawing rate: 408 ns/pixel max (color drawing)
  - Commands: 38 commands including 23 graphic drawing commands  
Dot, Line, Rectangle, Poly-line, Polygon, Circle, Ellipse, Paint, Copy, etc.

- Colors: 16 bits/word  
1, 2, 4, 8, 16 bits/pixel (5 types)  
Monochrome to 64k colors max
- Pattern RAM: 32 bytes
- Converts logical X-Y coordinates to physical address
- Color operation and conditional drawing
- Drawing area control for hardware clipping and hitting
- Large frame-memory space
  - Maximum 2 Mbytes graphic memory and 128 kbytes character memory separate from the MPU memory
  - Maximum resolution: 4096×4096 pixels (1 bit/pixel mode)
- CRT display control
  - Split screens: three displays and one window
  - Zoom: 1 to 16 times
  - Scroll: vertical and horizontal
- Interleaved access mode for flashless display and superimposition
- External synchronization between ACRTCs or between ACRTC and external device (TV system or other controller)
- DMA interface
- Two programmable cursors
- Three scan modes
  - Non-interlaced
  - Interlace sync
  - Interlace sync and video
- Interrupt request to MPU
- 256 characters/line 32 raster/line, 4096 rasters/screen
- Maximum clock frequency: 9.8 MHz
- CMOS, single +5 V power supply

### Ordering Information

Part No.	Clock Frequency (2CLK)	Package
HD63484-4	4 MHz	DC-64
HD63484-6	6 MHz	(64-pin ceramic DIP)
HD63484-8	8 MHz	
HD63484-98	9.8 MHz	
HD63484P4	4 MHz	DP-64
HD63484P6	6 MHz	(64-pin plastic DIP)
HD63484P8	8 MHz	
HD63484P98	9.8 MHz	
HD63484CP4	4 MHz	CP-68
HD63484CP6*	6 MHz	(68-pin plastic PLCC)
HD63484CP8	8 MHz	
HD63484CP98	9.8 MHz	
HD63484Y4	4 MHz	PC-68
HD63484Y6	6 MHz	(68-pin PGA)
HD63484Y8	8 MHz	
HD63484Y98	9.8 MHz	
HD63484PS4	4 MHz	DP-64S
HD63484PS6	6 MHz	(64-pin plastic shrink DIP)
HD63484PS8	8 MHz	
HD63484PS98	9.8 MHz	

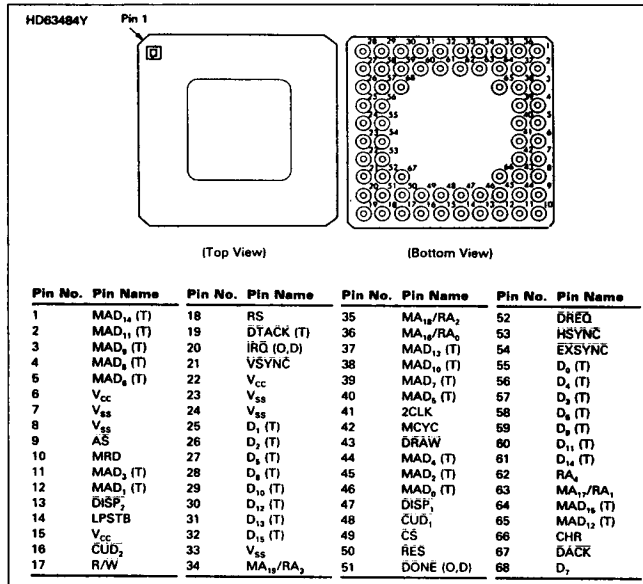
Note: Wide temperature range (−40°C to +80°C) version is available.



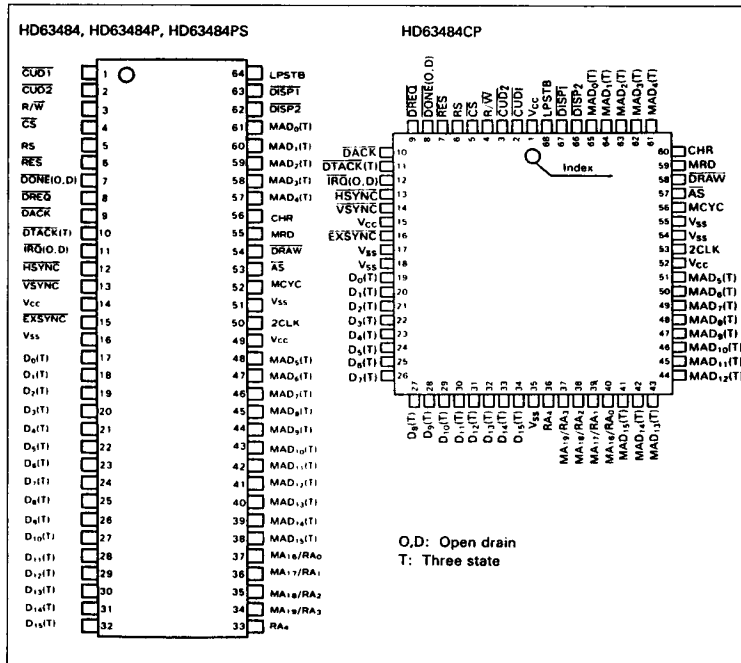
Hitachi America, Ltd. • Hitachi Plaza • 2000 Sierra Point Pkwy. • Brisbane, CA 94005-1819 • (415) 589-8300

213

2



## Pin Arrangement



Pin Description

Group	Mnemonic	Pin Number			I/O	Function
		DIP	PLCC	PGA		
MPU Interface	RES	6	7	50	I	ACRTC reset
	D <sub>0</sub> -D <sub>15</sub> *	17-32	19-34	25-32 55-61 68	I/O	Data bus (three state)
	R/W	3	4	17	I	Read/write strobe
	CS	4	5	49	I	Chip select
	RS	5	6	18	I	Register select
	DTACK	10	11	19	O	Data transfer acknowledge (three state)
	IRQ	11	12	20	O	Interrupt request (open drain)
DMAC Interface	DREQ	8	9	52	O	DMA request
	DACK	9	10	67	I	DMA acknowledge
	DONE	7	8	51	I/O	DMA done (open drain)
CRT Interface	2CLK	50	53	41	I	ACRTC clock
	MAD <sub>0</sub> -MAD <sub>15</sub> *	61-57, 48-38	65-61, 51-41	1-5, 11,12 37-40,44- 46, 64, 65	I/O	Multiplexed frame buffer address/data bus
	AS	53	57	9	O	Address strobe
	MA <sub>16</sub> /RA <sub>0</sub> * MA <sub>19</sub> /RA <sub>3</sub>	37-34	40-37	34-36	O	Higher-order address bits/ character screen raster address
	RA <sub>4</sub>	33	36	62	O	High-order character screen raster address bit
	CHR	56	60	66	O	Graphic or character screen access
	MCYC	52	56	42	O	Frame buffer memory access timing signal
	MRD	55	59	10	O	Frame buffer memory read
	DRAW	54	58	43	O	Draw/refresh signal
	DISP1, DISP2	63, 62	67, 66	47, 13	O	Display enable
	CUD1, CUD2	1,2	2,3	48,16		Cursor display
	VS <sub>ync</sub>	13	14	21	O	CRT vertical sync pulse
	HS <sub>ync</sub>	12	13	53		CRT horizontal sync pulse
	EX <sub>sync</sub>	15	16	54	I/O	External sync
	LPSTB	64	68	14	I	Lightpen strobe
Power Supply	V <sub>cc</sub>	14, 49	1, 15, 52	6, 15, 22		+5 V
	V <sub>ss</sub>	16, 51	17, 18, 35, 54, 55	7, 8, 23 24, 33		Ground

\*: PGA pin numbers don't correspond to D<sub>0</sub>-D<sub>15</sub>, MAD<sub>0</sub>-MAD<sub>15</sub>, MA<sub>16</sub>/RA<sub>0</sub>-MA<sub>19</sub>/RA<sub>3</sub>. Please refer to the pin arrangement.

2



## MPU Interface

**RES (Reset):**  $\overline{\text{RES}}$  is the MPU hardware reset.

**D<sub>0</sub>-D<sub>15</sub> (Data Bus):** D<sub>0</sub>-D<sub>15</sub> are the bidirectional data bus to/from the host MPU or DMAC. D<sub>0</sub>-D<sub>7</sub> are used in 8-bit data bus mode.

**R/ $\overline{\text{W}}$  (Read/Write):** R/ $\overline{\text{W}}$  input controls the direction of host/ACRTC transfers.

**CS (Chip Select):**  $\overline{\text{CS}}$  input enables transfers between the host and the ACRTC.

**RS(Register Select):** RS input selects the ACRTC register to be accessed. It is usually connected to the least significant bit of the host address bus.

**DTACK (Data Transfer Acknowledge):** DTACK output provides asynchronous bus cycle timing. It is compatible with the HD68000 MPU  $\overline{\text{DTACK}}$  output.

**IRQ (Interrupt Request):**  $\overline{\text{IRQ}}$  output generates interrupt service requests to the host MPU.

## DMAC Interface

**DREQ (DMA Acknowledge):** DACK receives DMA acknowledge timing from the host DMAC.

**DONE (DMA Done):**  $\overline{\text{DONE}}$  terminates DMA transfer. It is compatible with the HD68450 DMAC DONE signal.

## CRT Interface

**2CLK (Dot Clock):** 2CLK is the basic ACRTC operating clock, twice the frequency of the dot clock.

**MAD<sub>0</sub>-MAD<sub>15</sub> (Frame Memory Address/Data Bus):** MAD<sub>0</sub>-MAD<sub>15</sub> are the multiplexed frame buffer address/data bus.

**AS (Address Strobe):** The  $\overline{\text{AS}}$  output demultiplexes the address/data bus (MAD<sub>0</sub>-MAD<sub>15</sub>).

**MA<sub>16</sub>/RA<sub>0</sub>-MA<sub>19</sub>/RA<sub>3</sub> (Memory Address/Raster Address):** MA<sub>16</sub>/RA<sub>0</sub>-MA<sub>19</sub>/RA<sub>3</sub> are the upper bits of the graphics screen address multiplexed with the lower bits of the character screen raster address.

**RA<sub>4</sub> (Raster Address):** RA<sub>4</sub> is the high bit

of the character screen raster address (up to 32 rasters).

**CHR (Character):** CHR output indicates whether a graphic or character screen is being accessed.

**MCYC (Memory Cycle):** MCYC is the frame buffer memory access timing output, one-half the frequency of 2CLK.

**MRD (Memory Read):** MRD output controls the frame buffer data bus direction.

**DRAW (Draw):** DRAW output differentiates between drawing and CRT display refresh cycles.

**DISP1, DISP2 (Display 1, 2):** The  $\overline{\text{DISP1}}$  and  $\overline{\text{DISP2}}$  programmable display enable outputs can enable, disable, and blank logical screens.

**CUD1, CUD2 (Cursor Display 1, 2):** CUD1 and CUD2 outputs provides cursor timing programmed by ACRTC parameters such as cursor definition, cursor mode, cursor address, etc.

**VSYNC (Vertical Sync):** VSYNC outputs the CRT vertical synchronization pulse.

**HSYNC (Horizontal Sync):** HSYNC outputs the CRT horizontal synchronization pulse.

**EXSYNC (External Sync):** EXSYNC allows synchronization between multiple ACRTCs and other video signal generators.

**LPSTB (Lightpen Strobe):** LPSTB is the lightpen input.

## Block Diagrams

### ACRTC Functions

The ACRTC consists of 5 major functional blocks (figure 1). They operate in parallel to achieve maximum performance.

**MPU Interface:** The MPU interface interfaces asynchronously with the host MPU. Its functions include programmable interrupts handling, and DMA handshaking control.

**CRT Interface:** The CRT interface manages the frame buffer bus and the CRT timing input and output control signals. It also selects display refresh or drawing address outputs.



**Drawing Processor:** The drawing processor interprets commands and command parameters issued by the host bus (MPU and/or DMAC) and performs drawing operations on the frame buffer memory. It executes ACRTC drawing algorithms and converts logical X-Y addresses to physical frame buffer addresses.

It communicates with the host bus via separate 16-byte read and write FIFOs.

**Display Processor:** The display processor manages frame buffer refresh addressing based on the user-specified display screen organization. It combines and displays as many as 4 independent screen segments (3 horizontal split screens and 1 window) using an internal high-speed address calculation unit. It controls display refresh outputs in graphic (physical frame buffer address) or character (physical refresh memory address + row address) modes.

**Timing Processor:** The timing processor generates the CRT synchronization signals and signals used internally by the ACRTC.

**Registers:** The ACRTC registers that are visible to software are partitioned in the same way. They reside in the internal processor appropriate to their function. The registers in the display and timing processors are loaded with the basic display parameters during system initialization. During operation, the host communicates primarily with the ACRTC's drawing processor via the on-chip FIFOs.

**High-Speed (= 9.8 MHz) Version of ACRTC**

To keep up with the demand for improvements in the quality and resolution of CRT monitors, Hitachi has introduced a 9.8 MHz version of the HD63484 (ACRTC).

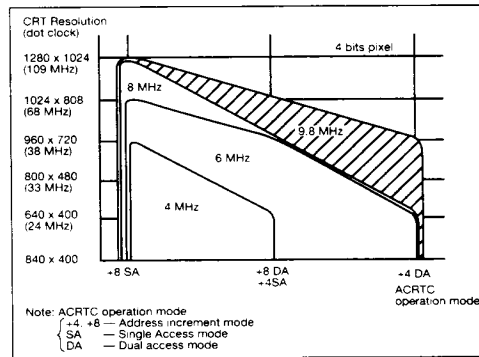
It can be used for:

1. High-resolution displays such as in office workstations, business personal computers, and CAD/CAM displays.
2. Applications requiring faster drawing than the current ACRTC with an 8-MHz 2CLK operation frequency.

**High-Resolution Display**

As shown in figure A, the 9.8-MHz allows the following configurations for a 4-bit/pixel system:

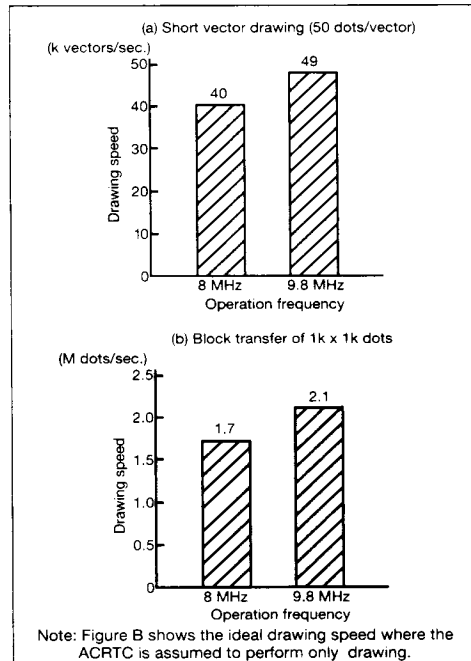
1. CRT monitor with 1024 x 808 dots, + 8 DA or + 4 SA
2. CRT monitor from 800 x 480 to 960 x 720 dots, + 4 DA



**Figure A. ACRTC Operation Frequency and Supportable CRT Display Range**

**High-Speed Drawing Support**

The ACRTC drawing speed depends on its operation frequency. Consequently it takes less time to draw with a 9.8-MHz clock than with an 8-MHz clock. Figure B compares drawing capabilities of the 9.8-MHz ACRTC and the 8-MHz ACRTC.



**Figure B. Drawing Capability Comparison between 9.8-MHz and 8-MHz ACRTCs.**



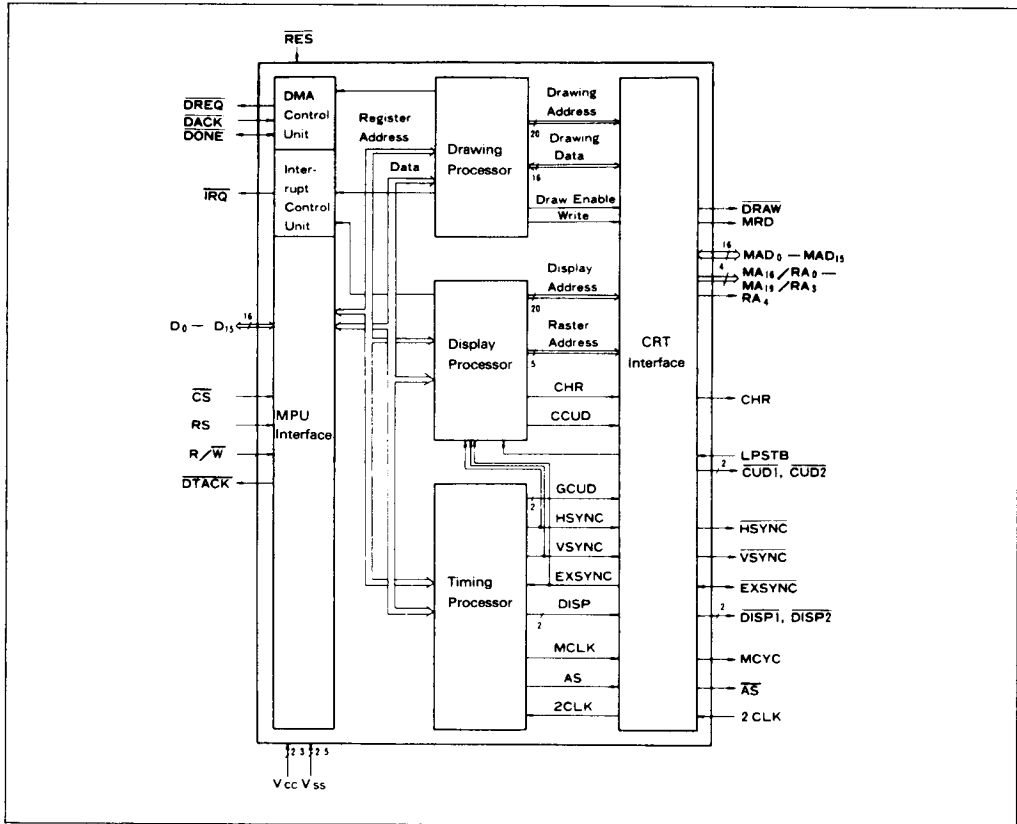


Figure 1 ACRTC Block Diagram

**System Configuration**

Current CRT controllers provide a single bus interface to the frame buffer that must be shared with the host MPU. However, refreshing large frame buffers, and accessing the frame buffer for drawing operations can quickly saturate the shared bus.

As shown in figure 2, the ACRTC uses separate host MPU and frame buffer interfaces. This allows the ACRTC full access to the frame buffer for display refresh and drawing operations and minimizes the ACRTC's use of the MPU system bus. A related benefit is that a large frame buffer (2 Mbyte for each ACRTC) can be used, even if the host MPU has a smaller address space or segment size restriction.

The ACRTC can use an external DMA controller. A DMA controller increases system throughput when many commands, parameters, and data must be transferred to the ACRTC. Advanced DMAC features, such as the HD68450 "chaining" modes can be used to develop powerful graphics system architectures.

However, more cost-sensitive or less performance-sensitive applications do not require a DMAC. The interface to the ACRTC can be handled under MPU software control.

While both ACRTC bus interfaces (host MPU and frame buffer) are 16 bits wide, the ACRTC also offers an 8-bit MPU mode for easy connection to popular 8-bit busses.



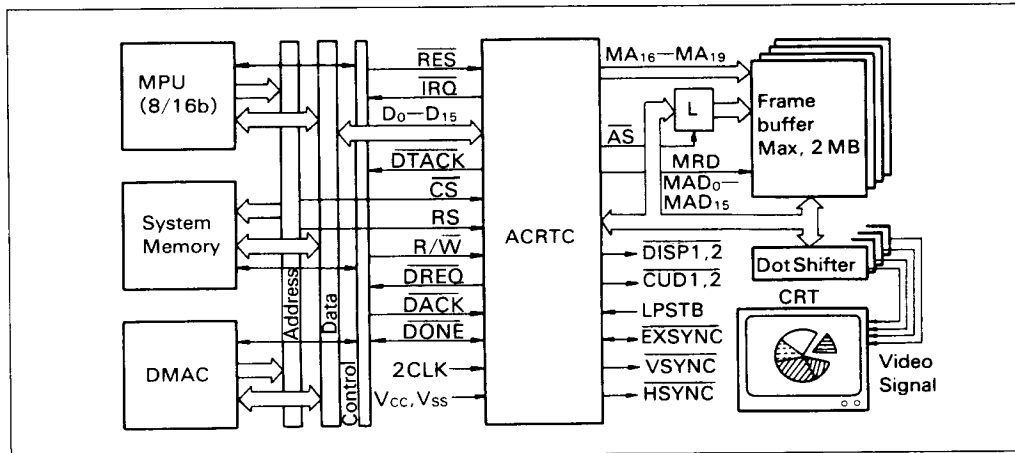


Figure 2 System Configuration

## Programming Model

### Address Space

The ACRTC allows the host to issue commands in logical X-Y coordinates. The ACRTC converts these physical linear word addresses with bit field offsets in the frame buffer. Figure 3 shows the relationship between the logical X-Y screen address and the frame buffer memory, which is organized as sequential 16-bit words. The host may specify logical pixels of 1, 2, 4, 8, or 16 physical bits in the frame buffer. The system in figure 3 uses 4-bit logical pixels, allowing 16 colors or tones to be selected.

Up to four logical screens (upper, base, lower, and window) are mapped onto the ACRTC physical address space. The host specifies a logical screen physical start address, logical screen physical memory width (memory words per raster), logical pixel physical memory width (bit per pixel), and the logical origin physical address. Then the ACRTC converts logical pixel X-Y addresses issued by the host MPU or the ACRTC drawing processor to physical frame buffer addresses. The ACRTC also performs bit extraction and masking to map logical pixel

operations (for example, 4 bits), to 16-bit word frame buffer addresses.

### Registers

The ACRTC has over 200 bytes of accessible registers (figures 4, 5 and table 1). They are organized as hardware access, direct access, and FIFO access.

**Hardware Access:** The ACRTC is connected to the host MPU as a standard memory-mapped peripheral that occupies two word locations of the host's address space. The RS (register select) pin selects one of these two locations. When RS = 0 (low), read operations access the status register, and write operations access the address register.

The status register summarizes the ACRTC state. It monitors the overall state of the ACRTC for the host MPU.

When the MPU wants to access a direct access register, it puts the register's address



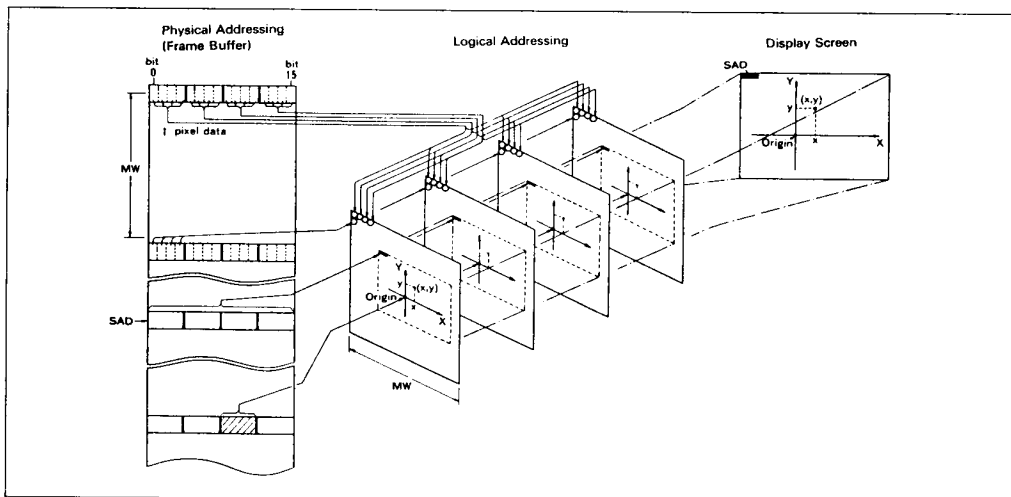


Figure 3. Logical/Physical Addressing

into the ACRTC address register.

**Direct Access:** The MPU accesses the direct access registers by first loading the register address into the address register. Then, when the MPU accesses the ACRTC with RS = 1 (high), the chosen register is accessed.

The FIFO entry register enables the MPU to access FIFO access registers using the ACRTC read and write FIFOs.

The command control register controls overall ACRTC operations, such as aborting or pausing commands, defining DMA protocols, and enabling/disabling interrupt sources.

The operation mode register defines basic parameters of ACRTC operation, such as frame buffer access mode, display or drawing priority, cursor and display timing skew factors, and raster scan mode.

The display control register independently enables and disables the four ACRTC logical address screens (upper, base, lower, and window). It also contains 8 user-defined video attribute bits.

The timing control RAM registers define ACRTC timing, including timing specifications for CRT control signals (HSYNC, VSYNC, etc), logical display screen size and

display period, and blink period.

The display control RAM contains registers which define logical screen display parameters, such as start address, raster address, and memory width. It also includes the cursor(s) definition, zoom factor, and lightpen registers.

**FIFO Access:** For high-performance drawing, key drawing processor registers are coupled to the host MPU via the ACRTC's 16-byte read and write FIFOs.

ACRTC commands are sent from the MPU via the write FIFO to the command register. As the ACRTC completes a command, the next command is automatically fetched from the write FIFO and put into the command register.

The pattern RAM defines drawing and painting patterns. It is accessed with the ACRTC's Read Pattern RAM (RPTN) and Write Pattern RAM (WPTN) register access commands.

The drawing parameter registers define detailed parameters of the drawing process, such as color data, area control (hitting/clipping), and pattern RAM pointers. The drawing parameter registers are accessed using the ACRTC's Read Parameter Register (RPR) and Write Parameter Register (WPR) commands.





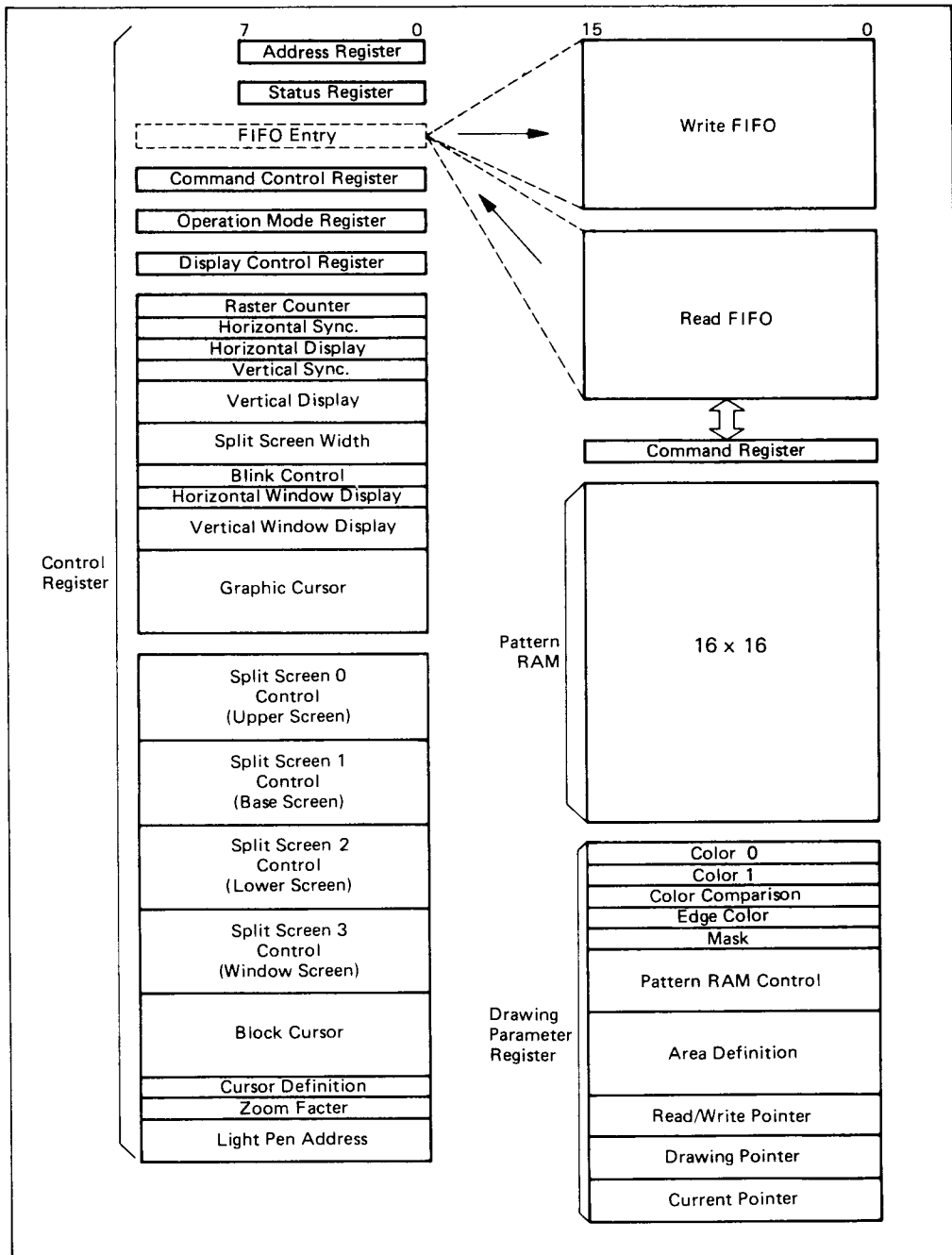
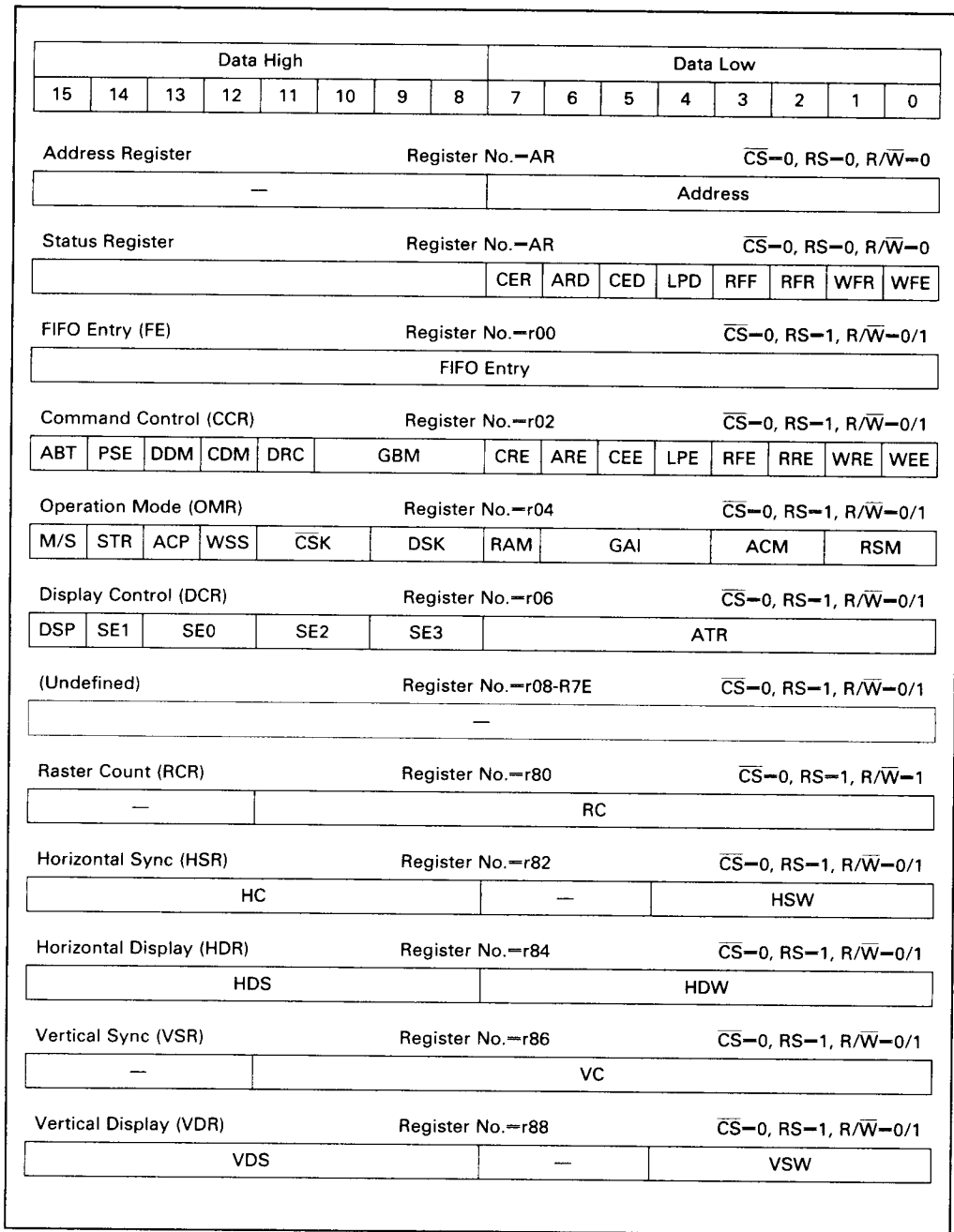


Figure 4. Programming Model





**Figure 5. Hardware Access and Direct Access Registers**



Split Screen Width (SSW)		Register No.—8A, 8C, 8E		$\overline{CS}$ —0, RS—1, R/ $\overline{W}$ —0/1	
—	SP1				
—	SP0				
—	SP2				
Blink Control (BCR)		Register No.—r90		$\overline{CS}$ —0, RS—1, R/ $\overline{W}$ —0/1	
BON1	BOFF1	BON2	BOFF2		
Horizontal Window Display (HWR)		Register No.—r92		$\overline{CS}$ —0, RS—1, R/ $\overline{W}$ —0/1	
HWS			HWW		
Vertical Window Display (VDR)		Register No.—r94, 96		$\overline{CS}$ —0, RS—1, R/ $\overline{W}$ —0/1	
—	VWS				
—	VWW				
Graphic Cursor (GCR)		Register No.—r98, 9A, 9C		$\overline{CS}$ —0, RS—1, R/ $\overline{W}$ —0/1	
CXE			CXS		
—	CYS				
—	CYE				
(Underfined)		Register No.—r9E-BE		$\overline{CS}$ —0, RS—1, R/ $\overline{W}$ —0/1	
—					
Upper Screen					
Raster Address 0 (RAR0)		Register No.—rC0		$\overline{CS}$ —0, RS—1, R/ $\overline{W}$ —0/1	
—	LRA0	—	FRA0		
Memory Width 0 (MWR0)		Register No.—C2		$\overline{CS}$ —0, RS—1, R/ $\overline{W}$ —0/1	
CHR	—	MW0			
Start Address 0 (SAR0)		Register No.—rC4, C6		$\overline{CS}$ —0, RS—1, R/ $\overline{W}$ —0/1	
—	SDA0	—	SA0H/SRA0		
SA0L					

2

Figure 5. Hardware Access and Direct Access Registers (cont)



<b>Base Screen</b>			
Raster Address 1 (RAR1)		Register No.—rC8	$\overline{CS}=0, RS=1, R/\overline{W}=0/1$
—	LRA1	—	FRA1
Memory Width 1 (MWR1)		Register No.—rCA	$\overline{CS}=0, RS=1, R/\overline{W}=0/1$
CHR	—	MW1	
Start Address 1 (SAR1)		Register No.—rCC, rCE	$\overline{CS}=0, RS=1, R/\overline{W}=0/1$
—	SDA1	—	SA1H/SRA1
SA1L			
<b>Lower Screen</b>			
Raster Address 2 (RAR2)		Register No.—rD0	$\overline{CS}=0, RS=1, R/\overline{W}=0/1$
—	LRA2	—	FRA2
Memory Width 0 (MWR2)		Register No.—rD2	$\overline{CS}=0, RS=1, R/\overline{W}=0/1$
CHR	—	MW2	
Start Address 0 (SAR2)		Register No.—rD4, D6	$\overline{CS}=0, RS=1, R/\overline{W}=0/1$
—	SDA2	—	SA2H/SRA2
SA2L			
<b>Window Screen</b>			
Raster Address 3 (RAR3)		Register No.—rD8	$\overline{CS}=0, RS=1, R/\overline{W}=0/1$
—	LRA3	—	FRA3
Memory Width 0 (MWR3)		Register No.—rDA	$\overline{CS}=0, RS=1, R/\overline{W}=0/1$
CHR	—	MW3	
Start Address 0 (SAR3)		Register No.—rDC, rDE	$\overline{CS}=0, RS=1, R/\overline{W}=0/1$
—	SDA3	—	SA3H/SRA3
SA3L			
Block Cursor 1 (BCUR1)		Register No.—rE0, rE2	$\overline{CS}=0, RS=1, R/\overline{W}=0/1$
BCW1	BCSR1	—	BCER1
BCA1			
Block Cursor 2 (BCUR2)		Register No.—rE4, rE6	$\overline{CS}=0, RS=1, R/\overline{W}=0/1$
BCW2	BCSR2	—	BCER2
BCA2			

Figure 5. Hardware Access and Direct Access Registers (cont)



Cursor Definition (CDR)		Register No.—rE8		$\overline{CS}=0, RS=1, R/\overline{W}=0/1$	
CM	CON1	COFF1	—	CON2	COFF2
Zoom Factor (ZFR)		Register No.—rEA		$\overline{CS}=0, RS=1, R/\overline{W}=0/1$	
HZF	VZF	—			
Lightpen Address (LPAR)		Register No.—rEC, rEE		$\overline{CS}=0, RS=1, R/\overline{W}=0/1$	
—		CHR	—	LPAH	
LPAL					
(Underfined)		Register No.—rF0-rFE		$\overline{CS}=0, RS=1, R/\overline{W}=0/1$	
—					

ABT: Abort ACM: Access Mode ACP: Access Priority Address: Control Register number ARD: Area Detect ARE: Area Detect Interrupt Enable ATR: Attribute Control CDM: Command DMA Mode CED: Command End CEE: Command End Interrupt Enable CER: Command Error CRE: Command Error Interrupt Enable CSK: Cursor Display Skew DDM: Data DMA Mode DRC: DMA Request Control DSK: DISP Skew DSP: DISP Signal Control FE: FIFO Entry GAI: Graphic Address Increment Mode GBM: Graphic Bit Mode HC: Horizontal Cycle HDS: Horizontal Display Start HDW: Horizontal Display Width HSW: Horizontal Sync Width LPD: Light Pen Strobe Detect LPE: Light Pen Strobe Interrupt Enable M/S: Master/Slave PSE: Pause RAM: RAM Mode RC: Raster Count RFE: Read FIFO Full Interrupt Enable RFF: Read FIFO Full RFR: Read FIFO Ready RRE: Read FIFO Ready Interrupt Enable RSM: Raster Scan Mode SE0: Split Enable 0 SE1: Split Enable 1 SE2: Split Enable 2 SE3: Split Enable 3 STR: Start	VC: Vertical Cycle VDS: Vertical Display Start VSW: Vertical Sync Width WEE: Write FIFO Empty Interrupt Enable WFE: Write FIFO Empty WFR: Write FIFO Ready WRE: Write FIFO Ready Interrupt Enable WSS: Window Smooth Scroll SP0, SP1, SP2: Split Screen 0 Width, Split Screen 1 Width, Split Screen 2 Width BON1, BON2: Blink On 1, Blink On 2 BOFF1, BOFF2: Blink Off 1, Blink Off 2 HWS: Horizontal Window Start HWW: Horizontal Window Width VWS: Vertical Window Start VWW: Vertical Window Width CXS, CYS: Cursor X Start, Cursor Y Start CXE, CYE: Cursor X End, Cursor Y End FRA: First Raster Address LRA: Last Raster Address CHR: Character MW: Memory Width SDA: Start Dot Address SAH/SRA: Start Address High/Start Raster Address SAL: Start Address Low BCW1, BCW2: Block Cursor Width 1, Block Cursor Width 2 BCSR1, BCSR2: Block Cursor Start Raster 1, Block Cursor Start Raster 2 BCER1, BCER2: Block Cursor End Raster 1, Block Cursor End Raster 2 BCA1, BCA2: Block Cursor Address 1, Block Cursor Address 2 CM: Cursor Mode CON1, CON2: Cursor On 1, Cursor On 2 COFF1, COFF2: Cursor Off 1, Cursor Off 2 HZF, VZF: Horizontal Zoom Factor, Vertical Zoom Factor LPAH: Light Pen Address High LPAL: Light Pen Address Low
---	--

Figure 5. Hardware Access and Direct Access Registers (cont)



**Table 1. Drawing Parameter Registers**

Register No.	Read/Write	Name of Register	Abbr.	Data (H)								Data (L)								
				15	14	13	12	11	10	9	8	7	6	5	4	3	2	1	0	
Pr00	R/W	Color 0	CL0									CL0								
Pr01	R/W	Color 1	CL1									CL1								
Pr02	R/W	Color Comparison	CCMP									CCMP								
Pr03	R/W	Edge Color	EDG									EDG								
Pr04	R/W	Mask	MASK									MASK								
Pr05	R/W	Pattern RAM Control	PRC	PPY				PZCY				PPX				PZCX				
↓				PSY				---				PSX				---				
Pr07				PEY				PZY				PEX				PZX				
Pr08				XMIN				YMIN				XMAX				YMAX				
↓																				
Pr08	R/W	Area Definition**	ADR									XMIN								
↓									YMIN											
									XMAX											
									YMAX											
Pr0C	R/W	Read Write Pointer	RWP	DN	---				RWPH											
Pr0D					RWPL								---							
Pr0E	---	Undefined	---									---								
Pr0F													---							
Pr010	R	Drawing Pointer	DP	DN	---				DPAH											
Pr11					DPAL								DPD							
Pr12	R	Current Pointer**	CP									X								
Pr13													Y							
Pr14	---	Undefined	---									---								
Pr15													---							

---: Always set to 0.

\*\* : Set two's complements for negative values of X and Y axis.

### Drawing Parameter Register

R: Register which can be read by Read Parameter Register Command (RPR)

W: Register which can be written into by Write Parameter Register Command (WPR)

---: Access is not allowed

CL0: Defines the color data used for the drawing when logical drawing data=0

CL1: Defines the color data used for the drawing when logical drawing data=1

CCMP: Defines the comparison color of the drawing operation

PSX, PSY: Pattern Start Point

PEX, PEY: Pattern End Point

PPX, PPY: Pattern Scan Start Point

PZX, PZY: Pattern Zoom

PZCX, PZCY: Pattern Zoom Count

XMIN, YMIN: Start point of Area definition

XMAX, YMAX: End point of Area definition

Dn: Screen Number

RWPH: High-order 8 bits of Read Write Pointer Address

RWPL: Low-order 12 bits of Read Write Pointer Address

DPAH: High-order 8 bits of Drawing Pointer Address

DPAL: Low-order 12 bits of Drawing Pointer Address

DPD: Drawing Pointer Dot Address

X, Y: Position indicated by Current Pointer on X-Y coordinate



## Display Functions

### Logical Display Screens

The ACRTC allows the frame buffer to be divided into four separate logical screens (table 2, figure 6).

In the simplest case, only the base screen parameters must be defined. Other screens may be selectively enabled, disabled, and blanked under software control.

The background screens (upper, base, and lower) split the screen into three horizontal partitions whose positions are fully programmable. A typical application might use the base screen for the bulk of user interac-

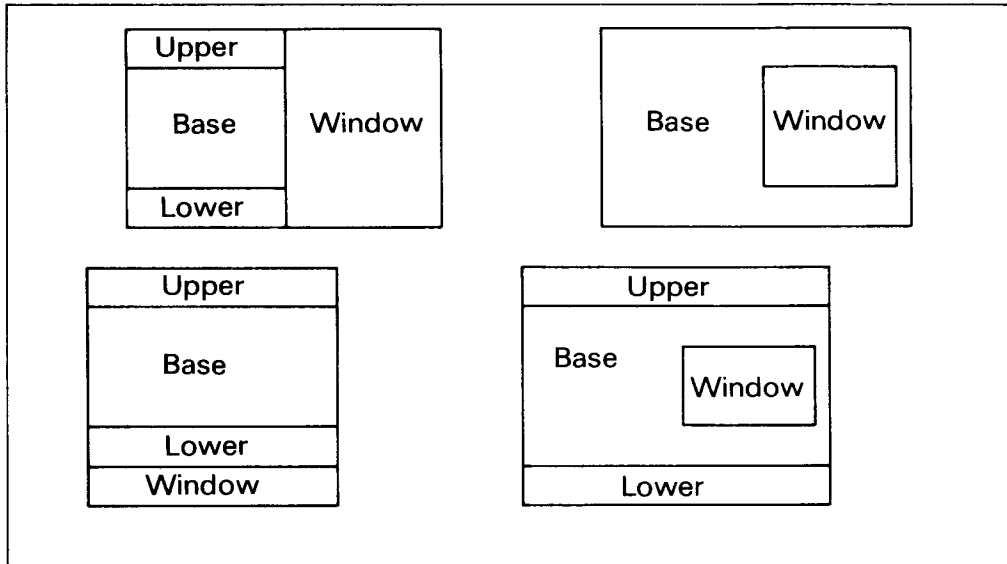
tion, using the lower screen for a "status line(s)" and the upper screen for "pulldown menus".

The window screen is unique, since the ACRTC usually gives it higher priority than the background screens. Thus, when the window, whose size and position is completely programmable, overlaps a background screen, the window is displayed. The exception is in the ACRTC superimposed mode, in which the window has the same priority as the background screens. In this mode, the window and background screens are "superimposed" on the display.



**Table 2. Logical Screen**

Screen Number	Screen Name	Screen Group
0	Upper screen	Background screens
1	Base screen	
2	Low screen	
3	Window screen	



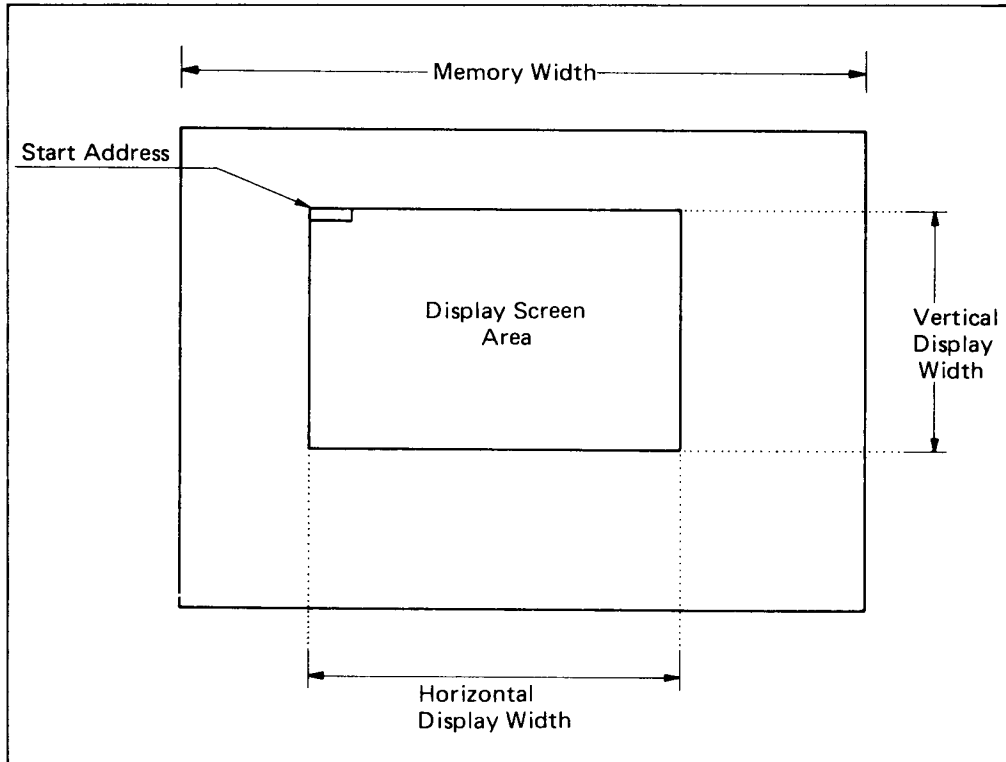
**Figure 6. Screen Combination Examples**



**Frame Memory Setup**

The ACRTC can have two independent frame memories, a 2-Mbyte frame buffer and a 128-kbyte refresh memory. The CHR output controls which memory is accessed.

Frame memory width is defined by setting up the memory width register (MWR). The horizontal width is independently defined by the horizontal display register (HDR). The memory area can therefore be specified bigger than the display area (figure 7).



**Figure 7. Frame Memory and Display Screen Area**



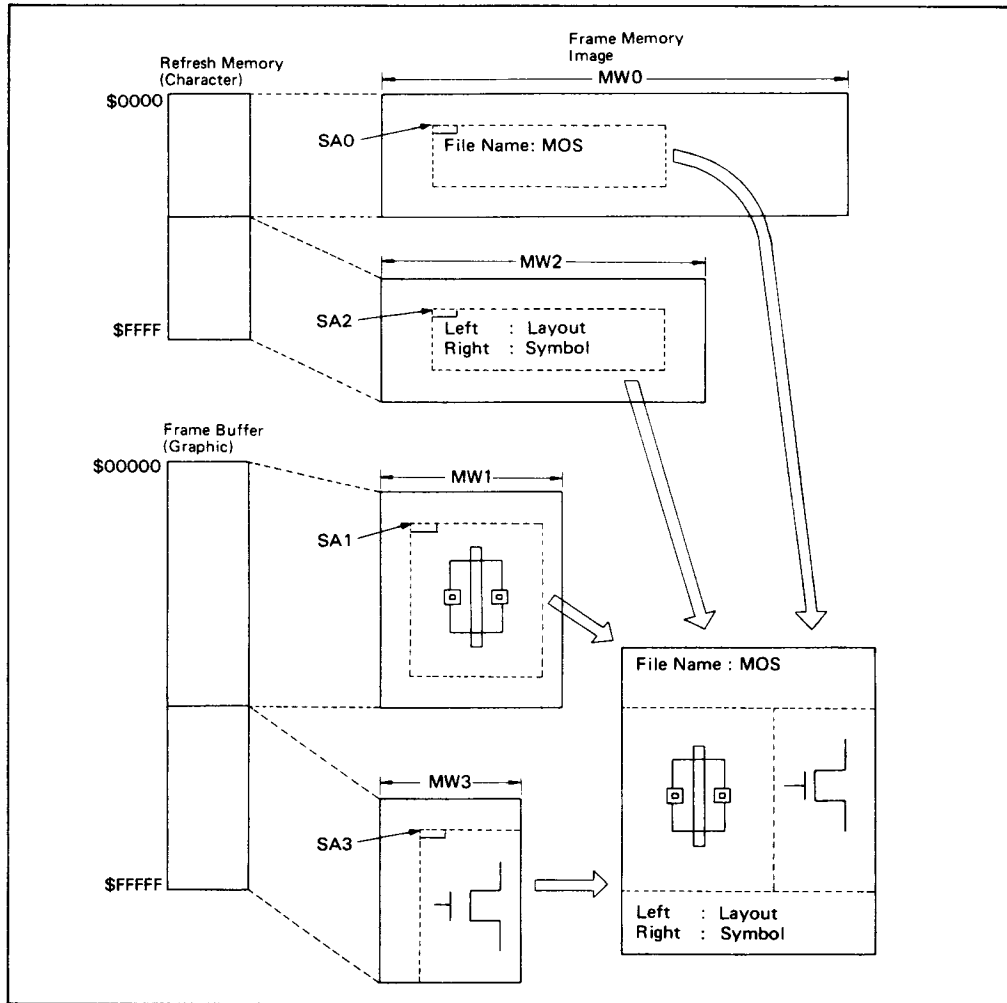
**Display Control**

Figure 8 shows the relation between the frame memory and display screens. Each screen has its own memory width, vertical display width, and character/graphic attribution. These specifications are set by the control registers.

Horizontal display control registers are set in units of memory cycles. Vertical display control registers are set in units of rasters.

Note that display width of registers marked with an asterisk (\*) in figure 9 is:

$$\text{(Display width)} = \text{(Register value)} + 1 \text{ memory cycles}$$



**Figure 8. Frame Memory and Display Screens**



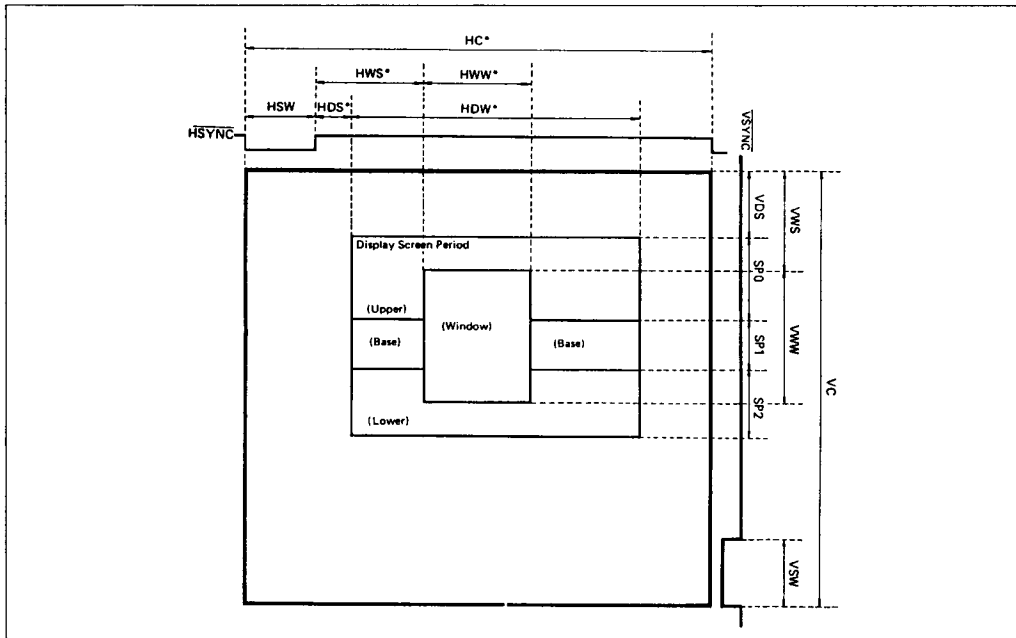


Figure 9. Display Screen Specification

**Commands**

The ACRTC has 38 commands classified into three groups (tables 3, 4):

- Register access
- Data transfer
- Graphic drawing

Five register access commands give the host MPU access to drawing processor drawing parameter registers and the pattern RAM.

Ten data transfer commands move data between the host system memory and the frame buffer, or within the frame buffer.

Twenty-three graphic drawing commands cause the ACRTC to draw. Parameters for these commands are specified using logical X-Y addressing.

All commands, parameters, and data are transferred via the ACRTC read and write FIFOs.

Assuming the ACRTC has been properly initialized, the MPU must perform two

steps to make the ACRTC draw:

1. First the MPU must specify drawing parameters that define the details associated with the drawing. For example, to draw a figure or paint an area, the MPU must specify the drawing or painting pattern by initializing the ACRTC pattern RAM and related pointers. If clipping or hitting control are desired, the MPU must specify the area to be monitored during drawing by initializing the area definition registers. Other drawing parameters include color, edge definition, etc.
2. After the drawing parameters have been specified, the MPU issues a drawing command and any required command parameters, such as the CRCL (circle) command with a radius parameter.

The ACRTC then performs the specified drawing operation by reading, modifying, and rewriting the contents of the frame buffer.



Table 3. ACRTC Command Table

Type	Mnemonic	Command Name	# (words)	Operation Cycles *1
Register Access	ORG	Origin	3	8
Command	WPR	Write Parameter Register	2	6
	RPR	Read Parameter Register	1	6
Data Transfer Command	WPTN	Write Pattern RAM	n+2	4n+8
	RPTN	Read Pattern RAM	2	4n+10
	DRD	DMA Read	3	$(4x+8)y+12[x \cdot y/8\uparrow] + (62\sim 68)$
	DWT	DMA Write	3	$(4x+8)y+16[x \cdot y/8\uparrow] + 34$
	DMOD	DMA Modify	3	$(4x+8)y+16[x \cdot y/8\uparrow] + 34$
	RD	Read	1	12
	WT	Write	2	8
	MOD	Modify	2	8
	CLR	Clear	4	$(2x+8)y+12$
	SCLR	Selective Clear	4	$(4x+6)y+12$
Graphic Drawing Command	CPY	Copy	5	$(6x+10)y+12$
	SCPY	Selective Copy	5	$(6x+10)y+12$
	AMOVE	Absolute Move	3	56
	RMOVE	Relative Move	3	56
	ALINE	Absolute Line	3	P·L+18
	RLINE	Relative Line	3	P·L+18
	ARCT	Absolute Rectangle	3	2P(A+B)+54
	RRCT	Relative Rectangle	3	2P(A+B)+54
	APLL	Absolute Polyline	2n+2	$\Sigma [P \cdot L+16] + 8$
	RPLL	Relative Polyline	2n+2	$\Sigma [P \cdot L+16] + 8$
APLG	Absolute Polygon	2n+2	$\Sigma [P \cdot L+16] + P \cdot Lo+20$	
RPLG	Relative Polygon	2n+2	$\Sigma [P \cdot L+16] + P \cdot Lo+20$	
CRCL	Circle	2	8d+66	
ELPS	Ellipse	4	10d+90	
AARC	Absolute Arc	5	8d+18	
RARC	Relative Arc	5	8d+18	
AEARC	Absolute Ellipse Arc	7	10d+96	
REARC	Relative Ellipse Arc	7	10d+96	
AFRCT	Absolute Filled Rectangle	3	(P·A+8)B+18	
RFRCT	Relative Filled Rectangle	3	(P·A+8)B+18	
PAINT	Paint	1	$(18A+102)B-58$ *2	
DOT	Dot	1	8	
PTN	Pattern	2	(P·A+10)B+20	
AGCPY	Absolute Graphic Copy	5	$((P+2)A+10)B+70$	
RGCPY	Relative Graphic Copy	5	$((P+2)A+10)B+70$	

- Notes: 1. 2CLK cycles.  
 2. Applies to rectangular figures. Time varies for other shapes.  
 3. Abbreviations
- n: Number of read/write data words
  - x: Number of words in X direction
  - y: Number of words in Y direction
  - ↑: Round up
  - P: Operation cycles—P=4 cycles when OPM=000-011;  
 P=6 cycles when OPM=100-111
  - L, Lo: Number of dots in a straight line
  - d: Total number of dots
  - A: Number of dots in main scan direction
  - B: Number of dots in sub scan direction



**Table 4. Command Operation Codes and Parameters**

Type	Mnemonic	Operation Code	Parameter
Register Access Command	ORG	0 0 0 0 0 1 0 0 0 0 0 0 0 0 0 0 0 0	DPH DPL
	WPR	0 0 0 0 1 0 0 0 0 0 0 0	RN D
	RPR	0 0 0 0 1 1 0 0 0 0 0 0	RN
	WPTN	0 0 0 1 1 0 0 0 0 0 0 0 0 0	PRA n D <sub>1</sub> , ... , D <sub>n</sub>
	RPTN	0 0 0 1 1 1 0 0 0 0 0 0 0 0	PRA n
Data Transfer Command	DRD	0 0 1 0 0 1 0 0 0 0 0 0 0 0 0 0 0 0	AX AY
	DWT	0 0 1 0 1 0 0 0 0 0 0 0 0 0 0 0 0 0	AX AY
	DMOD	0 0 1 0 1 1 0 0 0 0 0 0 0 0 0 0 0 0	MM AX AY
	RD	0 1 0 0 0 1 0 0 0 0 0 0 0 0 0 0 0 0	
	WT	0 1 0 0 1 0 0 0 0 0 0 0 0 0 0 0 0 0	D
	MOD	0 1 0 0 1 1 0 0 0 0 0 0 0 0 0 0 0 0	MM D
	CLR	0 1 0 1 1 0 0 0 0 0 0 0 0 0 0 0 0 0	D AX AY
	SCLR	0 1 0 1 1 1 0 0 0 0 0 0 0 0 0 0 0 0	D AX AY
	CPY	0 1 1 0 S DSD	0 0 0 0 0 0 0 0 0 SAH SAL AX AY
	SCPY	0 1 1 1 S DSD	0 0 0 0 0 0 0 0 0 MM SAH SAL AX AY
Graphic Drawing Command	AMOVE	1 0 0 0 0 0 0 0 0 0 0 0 0 0 0 0 0 0	X Y
	RMOVE	1 0 0 0 0 1 0 0 0 0 0 0 0 0 0 0 0 0	dX dY
	ALINE	1 0 0 0 1 0 0 0	AREA COL OPM X Y
	RLINE	1 0 0 0 1 1 0 0	AREA COL OPM dX dY
	ARCT	1 0 0 1 0 0 0 0	AREA COL OPM X Y
	RRCT	1 0 0 1 0 1 0 0	AREA COL OPM dX dY
	APLL	1 0 0 1 1 0 0 0	AREA COL OPM n X <sub>1</sub> , Y <sub>1</sub> , ... X <sub>n</sub> , Y <sub>n</sub>
	RPLL	1 0 0 1 1 1 0 0	AREA COL OPM n dX <sub>1</sub> , dY <sub>1</sub> , ... dX <sub>n</sub> , dY <sub>n</sub>
	APLG	1 0 1 0 0 0 0 0	AREA COL OPM n X <sub>1</sub> , Y <sub>1</sub> , ... X <sub>n</sub> , Y <sub>n</sub>
	RPLG	1 0 1 0 0 1 0 0	AREA COL OPM n dX <sub>1</sub> , dY <sub>1</sub> , ... dX <sub>n</sub> , dY <sub>n</sub>
	CRCL	1 0 1 0 1 0 0 0	AREA COL OPM r
	ELPS	1 0 1 0 1 1 0 0	AREA COL OPM a b DX
	AARC	1 0 1 1 0 0 0 0	C AREA COL OPM Xc Yc Xe Ye
	RARC	1 0 1 1 0 1 0 0	C AREA COL OPM dXc dYc dXe dYe
	AEARC	1 0 1 1 1 0 0 0	C AREA COL OPM a b Xc Yc Xe Ye
	REARC	1 0 1 1 1 1 0 0	C AREA COL OPM a b dXc dYc dXe dYe
	AFRCT	1 1 0 0 0 0 0 0	AREA COL OPM X Y
	RFRCT	1 1 0 0 0 1 0 0	AREA COL OPM dX dY
	PAINT	1 1 0 0 1 0 0 0	E AREA 0 0 0 0 0
	DOT	1 1 0 0 1 1 0 0	AREA COL OPM
	PTN	1 1 0 1 SL SD	AREA COL OPM SZ
	AGCPY	1 1 1 0 S DSD	AREA 0 0 OPM Xs Ys DX DY
	RGCPY	1 1 1 1 S DSD	AREA 0 0 OPM dXs dYs DX DY

- Notes:
- Register access commands abbreviations  
 RN: Drawing parameter register number (\$0-\$13)  
 PRA: Pattern RAM read/write operation starting address (\$0-\$F)  
 DPH: Drawing pointer register high word (figure 29)  
 DPL: Drawing pointer register low word (figure 29)  
 DPAH: Higher 8 bits of drawing pointer address  
 DPAL: Lower 12 bits of drawing pointer address  
 DPD: Dot position in memory address
  - Data transfer commands abbreviations  
 MM: Modify mode  
 S: Source scan direction (figure 30)  
 DSD: Destination scan direction (figure 31)  
 AX: Number of words in X direction—1  
 AY: Number of words in Y direction—1  
 D: Write data  
 SAH: Source start address high word (figure 32)  
 SAL: Source start address low word
  - Graphic drawing commands abbreviations  
 AREA: Area mode  
 COL: Color mode  
 OPM: Operation mode  
 C: Circle drawing direction—C = 0 for counterclockwise;  
 C = 1 for clockwise



E: Edge color definition—E = 0, edge color is data in edge color register;  
E = 1, edge color is any color except data in color register

SL: Slant (figure 33)  
SD: Scan direction (figure 33)  
S: Source scan direction (figure 30)  
DSD: Destination scan direction (figure 31)

4. Parameter abbreviations

X, X1, ..., Xn: Absolute X address from origin point  
Y, Y1, ..., Yn: Absolute Y address from origin point  
dX: Relative X address from current pointer  
dY: Relative Y address from current pointer  
n: Number of nodes  
dX1, ..., dXn: Relative X address from each node  
dY1, ..., dYn: Relative Y address from each node  
r: Number of dots on radius  
a, b: ratio of dX squared to dY squared in ellipse— $a:b = dX^2:dY^2$   
DX: X-direction dot number  
DY: Y-direction dot number  
Xc: Absolute X address of center point of arc/ellipse  
Yc: Absolute Y address of center point of arc/ellipse  
dXc: Relative X address from current point to center point of arc/ellipse  
dYc: Relative Y address from current point to center point of arc/ellipse  
Xe: Absolute X address of end point of arc/ellipse  
Ye: Absolute Y address of end point of arc/ellipse  
dXe: Relative X address from current point to end point of arc/ellipse  
dYe: Relative Y address from current point to end point of arc/ellipse  
Xs: Absolute X address of start point of arc/ellipse  
Ys: Absolute Y address of start point of arc/ellipse  
dXs: Relative X address from current point to start point of arc/ellipse  
dYs: Relative Y address from current point to start point of arc/ellipse

### Program Transfer

For program transfer, the MPU specifies the FIFO entry address and then writes commands/parameters to the write FIFO under program control (RS = high, R/W, CS = low). The MPU writes are normally synchronized with FIFO status by software polling or interrupt.

**Software Polling:** WFR, WFE interrupts are disabled.

1. MPU program checks the SR (status register) for write FIFO ready flag (WFR) = 1, then writes 1 command/parameter word.
2. MPU program checks the SR (status register) for write FIFO empty flag (WFE) = 1, then writes 1 to 8 command/parameter words.

**Interrupt Driven:** WFR, WFE interrupts are enabled.

1. MPU WFR interrupt service routine writes 1 command/parameter word.
2. MPU WFE interrupt service routine writes 1 to 8 command/parameter words.

**Register Access Commands:** When writing register access commands to an in-

itally empty write FIFO, the MPU does not have to synchronize to write FIFO status. The ACRTC can fetch and execute these commands faster than the MPU can issue them.

### Command DMA Transfer

Commands and parameters can be transferred from the MPU system memory by an external DMAC. The MPU initiates and terminates command DMA transfer under software control (CDM bit of CCR). Command DMA transfer can also be terminated by asserting the ACRTC DONE signal. DONE is an input in command DMA transfer mode.

In command DMA transfer mode, the ACRTC issues cycle stealing DMA requests to the DMAC when the write FIFO is ready. The DMA data is automatically sent from system memory to the ACRTC write FIFO regardless of the contents of the address register.

Make sure that the write FIFO is empty and all previous commands are terminated before starting the command DMA transfer.

Data DMA transfer cannot be executed in command DMA transfer mode.



**Table 5. Register Access Commands**

Command	Function
ORG	Initialize the relation between the origin point in the X-Y coordinates and the physical address
WPR	Write into parameter register
RPR	Read the parameter register
WPTN	Write into pattern RAM
RPTN	Read pattern RAM

**Register Access Commands**

Registers associated with the drawing processor (pattern RAM and drawing parameter registers) are accessed through the read and write FIFOs using register access commands (table 5).

**Data Transfer Commands**

Data transfer commands move blocks of data between the MPU system memory and the ACRTC frame buffer, or within the frame buffer itself (table 6). Before issuing these commands, a physical 20-bit frame buffer address must be specified in the

RWP (read/write pointer) drawing parameter register.

**Graphic Drawing Commands**

The ACRTC has 23 graphic drawing commands (table 7). Graphic drawing is performed by modifying the contents of the frame buffer based on microcoded drawing algorithms in the ACRTC drawing processor.

Most drawing coordinate parameters are specified by logical pixel X-Y addresses. The ACRTC high-speed hardware performs the complex task of translating a logical pixel address to a linear frame buffer word address, and further, selecting the proper subfield of the word (for example, a 4-bit logical pixel might reside in bits 8-11 of a certain frame buffer word).

Many instructions allow specification in either absolute or relative X-Y coordinates (for example, ALINE and RLINE). In both cases, two's complement numbers represent both positive and negative values.

**Table 6. Data Transfer Commands**

Command	Function
DRD	Transfer data, by DMA transfer, from the frame buffer to the MPU system memory
DWT	Transfer data, by DMA transfer, from the MPU system memory to the frame buffer
DMOD	Transfer data, by DMA transfer, from the MPU system to the frame buffer subject to logical modification (bit maskable)
RD	Read one word of data from the frame buffer specified by the read/write pointer (RWP), and load the word into read FIFO
WT	Write one word of data to the frame buffer specified by the read/write pointer (RWP)
MOD	Perform logical operation on one word in the frame buffer specified by the read/write pointer (RWP) (bit maskable)
CLR	Clear a rectangular area of the frame buffer with data in the command parameter
SCLR	Initialize a rectangular area of the frame buffer with 1-word data subject to logical operation (bit maskable)
CPY	Copy frame buffer data from one area (source area) to another area (destination area) specified by the read/write pointer (RWP)
SCPY	Copy frame buffer data from one area (source area) to another area (destination area) subject to logical modification by word. The source and destination areas must reside on the same screen (bit maskable)



**Table 7. Graphic Drawing Commands**

<b>Command</b>	<b>Function</b>
AMOVE	Move the current pointer (CP) to an absolute logical pixel X-Y address
REMOVE	Move the current pointer (CP) to a relative logical pixel X-Y address
ALINE	Draw a straight line from the current pointer (CP) to a command-specified end point in absolute coordinates
RLINE	Draw a straight line from the current pointer (CP) to a command-specified end point in relative coordinates
ARCT	Draw a rectangle defined by the current pointer (CP) and a command-specified diagonal point in absolute coordinates
RRCT	Draw a rectangle defined by the current pointer (CP) and a command-specified diagonal point in relative coordinates
APLL	Draw a polyline (multiple contiguous segments) from the current pointer (CP) through command-specified points in absolute coordinates
RPLL	Draw a polyline (multiple contiguous segments) from the current pointer (CP) through command-specified points in relative coordinates
APLG	Draw a polygon which connects the current pointer (CP) and command-specified points in absolute coordinates
RPLG	Draw a polygon which connects the current pointer (CP) and command-specified points in relative coordinates
CRCL	Draw a circle of radius R placing the current pointer (CP) at the center
ELPS	Draw an ellipse whose shape is specified by command parameters, placing the current pointer (CP) at the center
AARC	Draw an arc by using the current pointer (CP) as a start point with an end point and a center point in absolute coordinates
RARC	Draw an arc by using the current pointer (CP) as a start point with an end point and a center point in relative coordinates
AEARC	Draw an ellipse arc by using the current pointer (CP) as a start point with an end point and a center point in absolute coordinates
REARC	Draw an ellipse arc by using the current pointer (CP) as a start point with an end point and a center point in relative coordinates
AFRCT	Paint a rectangular area specified by the current pointer (CP) and command parameters (absolute coordinates) according to a figure pattern stored in the pattern RAM (tiling)
RFRCT	Paint a rectangular area specified by the current point (CP) and command parameters (relative coordinates) according to a figure pattern stored in the pattern RAM (tiling)
PAINT	Paint a closed area surrounded by edge color using a figure pattern stored in the pattern RAM (tiling)
DOT	Mark a dot on the coordinates indicated by the current pointer (CP)
PTN	Draw a graphic pattern defined in the pattern RAM onto a rectangular area specified by the current point (CP) and by the pattern size (rotation angle: 45°)
AGCPY	Copy a rectangular area specified by the absolute coordinates to the address specified by the current pointer (CP) (rotation angle: 90°/mirror reflection)
RGCPY	Copy a rectangular area specified by the relative coordinates to the address specified by the current pointer (CP) (rotation angle: 90°/mirror reflection)

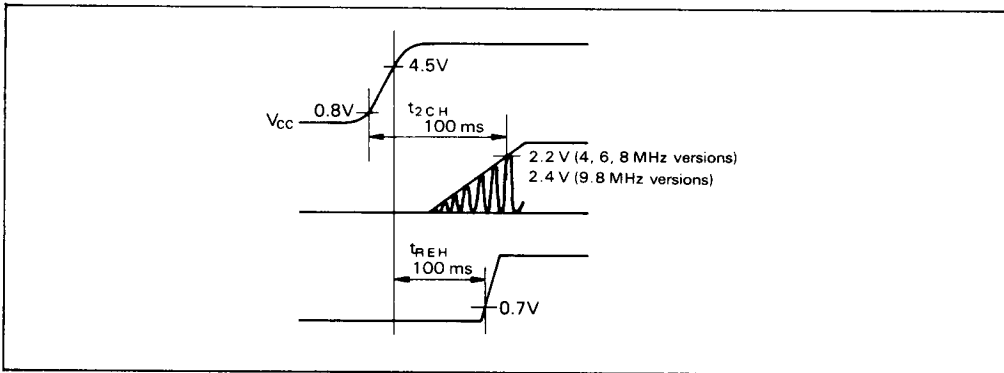
**Notes on System Design**

**Power-On Sequence**

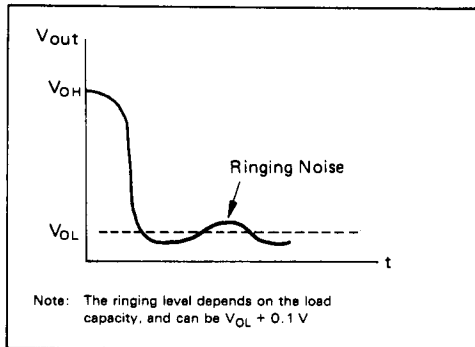
The conditions in figure 10 must be satisfied at power-on.

**Output Waveform**

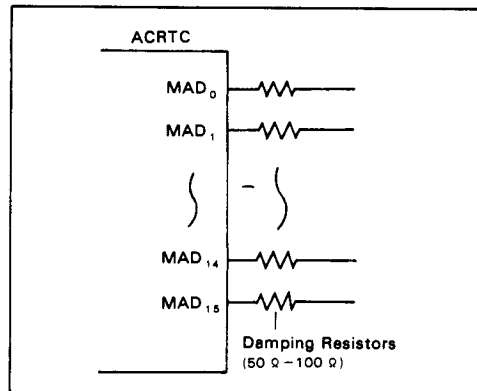
If excessive ringing (figure 11) occurs on CRT data buses, (MAD<sub>0</sub>-MAD<sub>15</sub>, MA<sub>16</sub>/RA<sub>0</sub>-MA<sub>19</sub>/RA<sub>4</sub>), damping resistors may be required as shown in figure 12.



**Figure 10. Power-On Sequence**



**Figure 11. Ringing Noise**



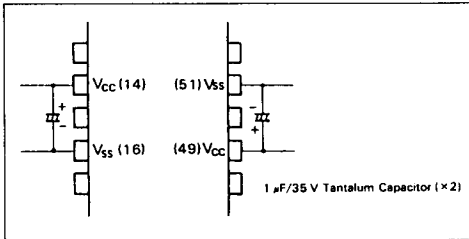
**Figure 12. Damping Resistors**



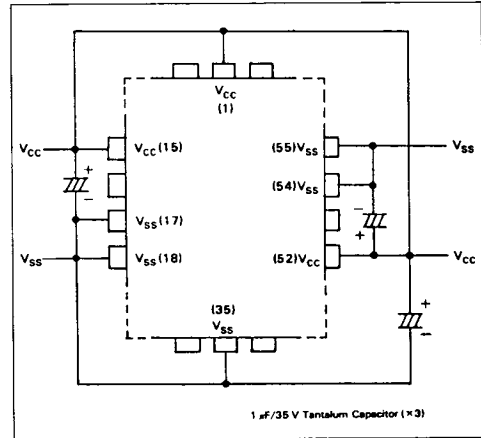
**Power Supply Circuit**

When laying out the  $V_{CC}$  and  $V_{SS}$  traces on

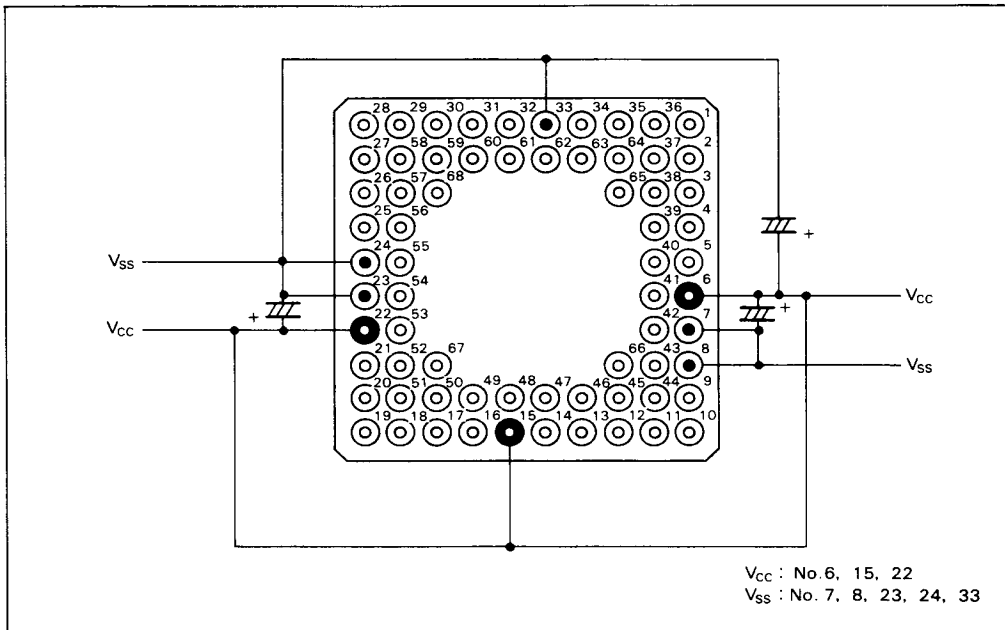
the circuit board, locate capacitors as close as possible to each power supply pin (figures 13, 14, 15).



**Figure 13. Power Supply Circuit Example, 64-Pin DIP**



**Figure 14. Power Supply Circuit Example, 68-Pin PLCC**



**Figure 15. Power Supply Circuit Example 68-Pin PGA**

2

**Absolute Maximum Ratings**

Item	Symbol	Rating	Unit
Supply Voltage	$V_{CC}$ (Note 1)	-0.3 to +7.0	V
Input Voltage	$V_{in}$ (Note 1)	-0.3 to $V_{CC} + 0.3$	V
Allowable Output Current	$ I_{O1} $ (Note 2)	5	mA
Total Allowable Output Current	$ \sum I_{O1} $ (Note 3)	120	mA
Operating Temperature	$T_{opr}$	0 to +70	°C
Storage Temperature	$T_{stg}$	-55 to +150	°C

- Notes: 1. Referenced to  $V_{SS} = 0$  V.  
 2. The maximum current that may be drawn from, or flow out of, one output, or one common input/output terminal.  
 3. The total sum of currents that may be drawn from, or flow out of, all output or common input/output terminals.  
 4. Using an LSI beyond its maximum rating may result in its permanent destruction. LSIs should usually be used under recommended operating conditions. Exceeding any of these conditions may adversely affect reliability.

**Recommended Operating Conditions**

Item	Symbol	Min	Typ	Max	Unit
Supply Voltage	$V_{CC}$ (Note)	4.75	5.0	5.25	V
Input Low Voltage	$V_{IL}$ (Note)	0		0.7	V
Input High Voltage (4, 6, 8 MHz versions)	$V_{IH}$ (Note)	2.2		$V_{CC}$	V
(9.8 MHz version)	$V_{IH}$ (Note)	2.4		$V_{CC}$	V
Operating Temperature	$T_{opr}$	0	25	75	°C

Note: Referenced to  $V_{SS} = 0$  V



**Electrical Characteristics**

**DC Characteristics**

( $V_{CC}=5.0V \pm 5\%$ ,  $V_{SS}=0V$ ,  $T_a=0^\circ C$  to  $+70^\circ C$  unless otherwise noted)

Item		Symbol	Min	Max	Unit	Test Condition
Input High Level Voltage	All inputs	$V_{IH}$	2.2	$V_{CC}$	V	4, 6, 8 MHz versions
			2.4	$V_{CC}$	V	9.8 MHz ★ version
Input Low Level Voltage	All inputs	$V_{IL}$	-0.3	0.7	V	
Input Leak Current	R/W, CS, RS, RES, DACK, 2CLK, LPSTB	$I_{in}$	-2.5	2.5	$\mu A$	$V_{in} = -0.4$ to $V_{CC}$
Hi-Z Input Current	$D_0$ - $D_{15}$ , $MAD_0$ - $MAD_{15}$ , EXSYNC	$I_{TSL}$	-10	10	$\mu A$	$V_{in} = -0.4$ to $V_{CC}$
Output High Level Voltage	$D_0$ - $D_{15}$ , $MAD_0$ - $MAD_{15}$ , CUD1, CUD2, DREQ, DTACK, HSYNC, VSYNC, EXSYNC, MRD, DRAW, AS, DISP1, DISP2, CHR, MCYC, $RA_4$ , $MA_{16}/RA_0$ - $MA_{19}/RA_3$	$V_{OH}$	$V_{CC}$ -1.0		$\mu A$	$I_{OH} = -400\mu A$
Output Low Level Voltage	$D_0$ - $D_{15}$ , $MAD_0$ - $MAD_{15}$ , CUD1, CUD2, DREQ, DTACK, HSYNC, VSYNC, EXSYNC, MRD, DRAW, AS, DISP1, DISP2, CHR, MCYC, $RA_4$ , $MA_{16}/RA_0$ - $MA_{19}/RA_3$	$V_{OL}$		0.5	V	$I_{OL} = 2.2mA$
			$\overline{IRQ}$ , DONE	$VO_L$		0.5
Output Leak Current (Hi-Z)	$\overline{IRQ}$ , DONE	$I_{LOD}$		10	$\mu A$	$V_{OH} = V_{CC}$
Input Capacitance	$D_0$ - $D_{15}$ , $MAD_0$ - $MAD_{15}$ , EXSYNC, R/W, CS, RS, RES, DACK, 2CLK, LPSTB	$C_{in}$		17	pF	$V_{in} = 0 V$ , $T_a = 25^\circ C$ , $f = 1.0 MHz$
Output Capacitance	$\overline{IRQ}$ , DONE	$C_{out}$		15	pF	$V_{in} = 0 V$ , $T_a = 25^\circ C$ , $f = 1.0 MHz$
Current Consumption		$I_{CC}$		60	mA	4 MHz version
				80	mA	6 MHz version
				100	mA	8 MHz version
				120	mA	9.8 MHz version



**AC Characteristics ( $V_{CC}=5.0V \pm 5\%$ ,  $V_{SS}=0V$ ,  $T_a=0$  to  $+70^\circ C$  unless otherwise noted)**

**Clock Timing**

No.	Item	Symbol	4 MHz Version		6 MHz Version		8 MHz Version		9.8 MHz Version		Unit	Reference Figure Number
			Min	Max	Min	Max	Min	Max	Min	Max		
	Operation Frequency of 2CLK	f	1	4	1	6	1	8	1	9.8	MHz	
1	Clock Cycle Time	t <sub>cy</sub>	250	1000	167	1000	125	1000	102	1000	ns	17
2	Clock High Level Pulse Width	t <sub>PWCH</sub>	115	500	75	500	55	500	46	500	ns	
3	Clock Low Level Pulse Width	t <sub>PWCL</sub>	115	500	75	500	55	500	46	500	ns	
4	Clock Rise Time	t <sub>cr</sub>	—	10	—	10	—	10	—	5	ns	
5	Clock Fall Time	t <sub>cf</sub>	—	10	—	10	—	10	—	5	ns	

**MPU Read/Write Cycle Timing**

No.	Item	Symbol	4 MHz Version		6 MHz Version		8 MHz Version		9.8 MHz Version		Unit	Reference Figure Number
			Min	Max	Min	Max	Min	Max	Min	Max		
6	R/W Setup Time	t <sub>RWS</sub>	70	—	60	—	50	—	50	—	ns	18—20
7	R/W Hold Time	t <sub>RWH</sub>	0	—	0	—	0	—	0	—	ns	
8	RS Setup Time	t <sub>RSS</sub>	70	—	60	—	50	—	50	—	ns	
9	RS Hold Time	t <sub>RSH</sub>	0	—	0	—	0	—	0	—	ns	
10	CS Setup Time	t <sub>CSS</sub>	50	—	40	—	40	—	40	—	ns	
11	CS High Level Width	t <sub>WCSH</sub>	80	—	70	—	60	—	60	—	ns	18, 19
12												
13	Read Wait Time	t <sub>RWAI</sub>	0	—	0	—	0	—	0	—	ns	18, 20
14	Read Data Access Time	t <sub>RDAC</sub>	—	120	—	100	—	80	—	80	ns	
15	Read Data Hold Time	t <sub>RDH</sub>	10	—	10	—	10	—	10	—	ns	
16	Read Data Turn Off Time	t <sub>RDZ</sub>	—	60	—	60	—	60	—	60	ns	
17	DTACK Delay Time (Z to L)	t <sub>DTKZL</sub>	—	90	—	80	—	70	—	70	ns	18—20
18	DTACK Delay Time (D to L)	t <sub>DTKDL</sub>	0	—	0	—	0	—	0	—	ns	18, 20
19	DTACK Release Time (L to H)	t <sub>DTKLH</sub>	—	100	—	90	—	80	—	80	ns	18—20
20	DTACK Turn Off Time (H to Z)	t <sub>DTKZ</sub>	—	100	—	100	—	100	—	100	ns	
21	Data Bus 3-State Recovery Time 1	t <sub>DBRT1</sub>	0	—	0	—	0	—	0	—	ns	18, 20
22	Write Wait Time	t <sub>WWAI</sub>	0	—	0	—	0	—	0	—	ns	19, 20
23	Write Data Setup Time	t <sub>WDH</sub>	80	—	60	—	40	—	40	—	ns	
24	Write Data Hold Time	t <sub>WDH</sub>	10	—	10	—	10	—	10	—	ns	



**DMA Read/Write Cycle Timing**

No.	Item	Symbol	4 MHz Version		6 MHz Version		8 MHz Version		9.8 MHz Version		Unit	Reference Figure Number
			Min	Max	Min	Max	Min	Max	Min	Max		
25	DREQ Delay Time 1	tDRQD1	—	150	—	130	—	110	—	110	ns	21—24
26	DREQ Delay Time 2	tDRQD2	—	90	—	80	—	70	—	70	ns	
27	DMA R/W Setup Time	tDMRWS	70	—	60	—	50	—	50	—	ns	
28	DMA R/W Hold Time	tDMRWH	0	—	0	—	0	—	0	—	ns	
29	DACK Setup Time	tDAKS	50	—	40	—	40	—	40	—	ns	
30	DACK High Level Width	tWDAKH	80	—	70	—	60	—	60	—	ns	
31												
32	DMA Read Wait Time	tDRW	0	—	0	—	0	—	0	—	ns	21, 22
33	DMA Read Data Access Time	tDRDAC	—	120	—	100	—	80	—	80	ns	
34	DMA Read Data Hold Time	tDRDH	10	—	10	—	10	—	10	—	ns	
35	DMA Read Data Turn Off Time	tDRDZ	—	60	—	60	—	60	—	60	ns	
36	DMA DTACK Delay Time (Z to L)	tDDTZL	—	90	—	80	—	70	—	70	ns	21—24
37	DMA DTACK Delay Time (D to L)	tDDTDL	0	—	0	—	0	—	0	—	ns	21, 22
38	DMA DTACK Release Time (L to H)	tDDTLH	—	100	—	90	—	80	—	80	ns	21—24
39	DMA DTACK Turn Off Time (H to Z)	tDDTHZ	—	100	—	100	—	100	—	100	ns	
40	DONE Output Delay Time	tDND	—	90	—	80	—	70	—	70	ns	
41	DONE Output Turn Off Time (L to Z)	tDNLZ	—	100	—	90	—	80	—	80	ns	
42	Data Bus 3-State Recovery Time 2	tDBRT2	0	—	0	—	0	—	0	—	ns	21, 22
43	DONE Input Pulse Width	tDNPW	2	—	2	—	2	—	2	—	tcyc	23, 24
44	DMA Write Wait Time	tDWWT	0	—	0	—	0	—	0	—	ns	
45	DMA Write Data Setup Time	tDWDS	80	—	60	—	40	—	40	—	ns	
46	DMA Write Data Hold Time	tDWDH	10	—	10	—	10	—	10	—	ns	
47												



**Frame Memory Read/Write Cycle Timing**

No.	Item	Symbol	4 MHz Version		6 MHz Version		8 MHz Version		9.8 MHz Version		Unit	Reference Figure Number
			Min	Max	Min	Max	Min	Max	Min	Max		
48	AS "Low" Level Pulse Width	tPWASL	80	—	40	—	25	—	20	—	ns	25—28
49	Memory Address Hold Time 2	tMAH2	10	—	10	—	10	—	5	—	ns	
50	AS Delay Time 1	tASD1	—	90	—	75	—	60	—	50	ns	
51	AS Delay Time 2	tASD2	5	90	5	75	5	65	5	40	ns	
52	Memory Address Delay Time	tMAD	15	95	15	80	15	70	10	50	ns	
53	Memory Address Hold Time 1	tMAH1	25	—	25	—	25	—	15	—	ns	
54	Memory Address Turn Off Time (A to Z)	tMAAZ	—	50	—	50	—	50	—	35	ns	26
55	Memory Read Data Setup Time	tMRDS	60	—	50	—	35	—	30	—	ns	
56	Memory Read Data Hold Time	tMRDH	10	—	10	—	10	—	0	—	ns	25—28
57	MA/RA Delay Time	tMARAD	—	100	—	90	—	80	—	60	ns	
58	MA/RA Hold Time	tMARAH	10	—	10	—	10	—	5	—	ns	25—27
59	MCYC Delay Time	tMCYCD	5	60	5	50	5	50	5	40	ns	25—29
60	MRD Delay Time	tMRDD	—	90	—	80	—	70	—	50	ns	24—28
61	MRD Hold Time	tMRH	10	—	10	—	10	—	5	—	ns	
62	DRAW Delay Time	tDRWD	—	90	—	80	—	70	—	50	ns	
63	DRAW Hold Time	tDRWH	10	—	10	—	10	—	5	—	ns	27
64	Memory Write Data Delay Time	tMWDD	—	90	—	80	—	70	—	50	ns	
65	Memory Write Data Hold Time	tMWDH	10	—	10	—	10	—	5	—	ns	25—28
110	Memory Address Setup Time 1	tMAS1	10	—	10	—	10	—	10	—	ns	
112	Memory Address Setup Time 2	tMAS2	10	—	10	—	10	—	10	—	ns	

- Notes: 1. Characteristic No.52 is independent of the 2CLK operation frequency (f) and timing of No.51 and No.110.  
 2. New characteristics No.50 and No.52 shown above are applicable only to lot numbers 5M\*, 6\*, 7\*\*, and greater (\* means don't care).

For the other lot numbers, applicable characteristics are as follows:

No.	Symbol	4 MHz Version		6 MHz Version		8 MHz Version		Unit
		Min	Max	Min	Max	Min	Max	
50	tASD1	—	90	—	75	—	65	ns
52	tMAD	—	95	—	80	—	70	ns

**Display Control Signal Output Timing**

No.	Item	Symbol	4 MHz Version		6 MHz Version		8 MHz Version		9.8 MHz Version		Unit	Reference Figure Number
			Min	Max	Min	Max	Min	Max	Min	Max		
67	HSYNC Delay Time	tHSD	—	90	—	80	—	70	—	50	ns	28—30
68	VSYNC Delay Time	tVSD	—	90	—	80	—	70	—	50	ns	
69	DISP1, DISP2 Delay Time	tDSPD	—	90	—	80	—	70	—	50	ns	
70	CUD1, CUD2 Delay Time	tCUDD	—	90	—	80	—	70	—	50	ns	
71	EXSYNC Output Delay Time	tEXD	20	90	20	80	20	70	15	50	ns	
72	CHR Delay Time	tCHD	—	90	—	80	—	70	—	50	ns	
73												
74												

**EXSYNC Input Timing**

No.	Item	Symbol	4 MHz Version		6 MHz Version		8 MHz Version		9.8 MHz Version		Unit	Reference Figure Number
			Min	Max	Min	Max	Min	Max	Min	Max		
75	EXSYNC Input Pulse Width	tEXSW	3	—	3	—	3	—	3	—	tcyc	30
76	EXSYNC Input Setup Time	tEXS	60	—	60	—	50	—	30	—	ns	
77	EXSYNC Input Hold Time	tEXH	15	—	15	—	15	—	10	—	ns	

**LPSTB Input Timing**

No.	Item	Symbol	4 MHz Version		6 MHz Version		8 MHz Version		9.8 MHz Version		Unit	Reference Figure Number
			Min	Max	Min	Max	Min	Max	Min	Max		
78	LPSTB Uncertain Time 1	tLPD1	70	—	70	—	70	—	45	—	ns	31, 32
79	LPSTB Uncertain Time 2	tLPD2	10	—	10	—	10	—	10	—	ns	
80	LPSTB Input Hold Time	tLPH	10	—	10	—	10	—	10	—	ns	
81	LPSTB Input Inhibit time	tLPI	4	—	4	—	4	—	4	—	tcyc	

**RES and DACK Input Timing**

No.	Item	Symbol	4 MHz Version		6 MHz Version		8 MHz Version		9.8 MHz Version		Unit	Reference Figure Number
			Min	Max	Min	Max	Min	Max	Min	Max		
82	DACK Setup Time for RES	tDAKSR	100	—	100	—	100	—	100	—	ns	33
83	DACK Hold Time for RES	tDAKHR	0	—	0	—	0	—	0	—	ns	
84	RES Input Pulse Width	tRES	10	—	10	—	10	—	10	—	tcyc	

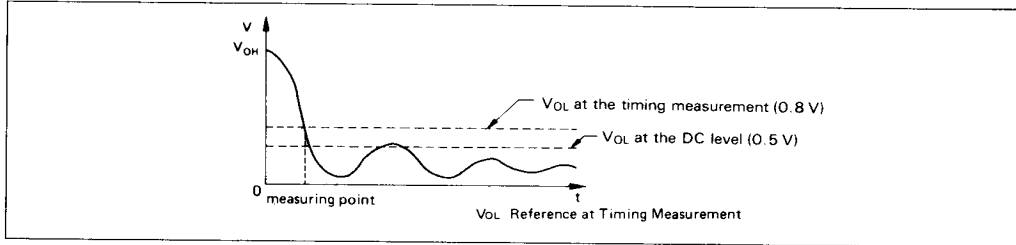


**IRQ and Attributes Output Cycle Timing**

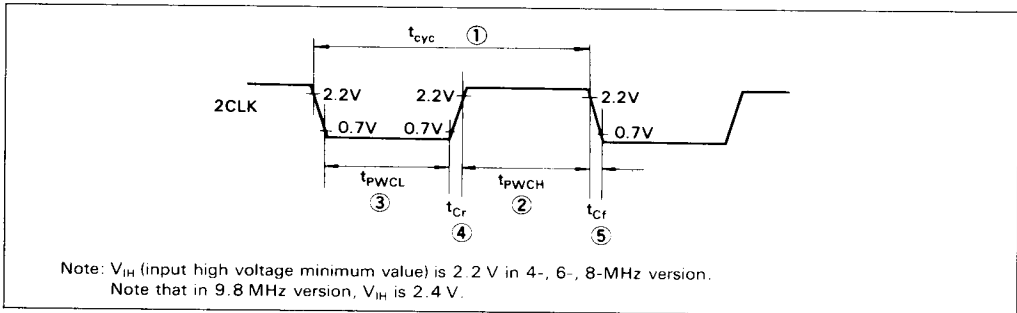
No.	Item	Symbol	4 MHz Version		6 MHz Version		8 MHz Version		9.8 MHz Version		Unit	Reference Figure Number
			Min	Max	Min	Max	Min	Max	Min	Max		
85	IRQ Delay Time 1	tIRQ1	—	250	—	200	—	150	—	150	ns	34, 35
86	IRQ Delay Time 2	tIRQ2	—	500	—	500	—	500	—	500	ns	
87	ATR Delay Time 1	tATRD1	—	100	—	90	—	80	—	60	ns	28
88	ATR Hold Time 1	tATRH1	10	—	10	—	10	—	5	—	ns	
90	ATR Delay Time 2	tATRD2	—	100	—	90	—	80	—	60	ns	28
91	ATR Hold Time 2	tATRH2	10	—	10	—	10	—	5	—	ns	

**Synchronous Bus Timing, MPU or DMA Read/Write Cycle**

No.	Item	Symbol	4 MHz Version		6 MHz Version		8 MHz Version		9.8 MHz Version		Unit	Reference Figure Number
			Min	Max	Min	Max	Min	Max	Min	Max		
100	CS Cycle Time	tCSC	4	—	4	—	4	—	4	—	tcyc	18, 19
101	CS Low Level Width	tWCSL	2	—	2	—	2	—	2	—	tcyc	
102	CS High Level Width	tWCSH	2	—	2	—	2	—	2	—	tcyc	22, 24
104	DACK Cycle Time	tDACKC	4	—	4	—	4	—	4	—	tcyc	
105	DACK Low Level Width	tWDACKL	2	—	2	—	2	—	2	—	tcyc	
106	DACK High Level Width	tWDACKH	2	—	2	—	2	—	2	—	tcyc	

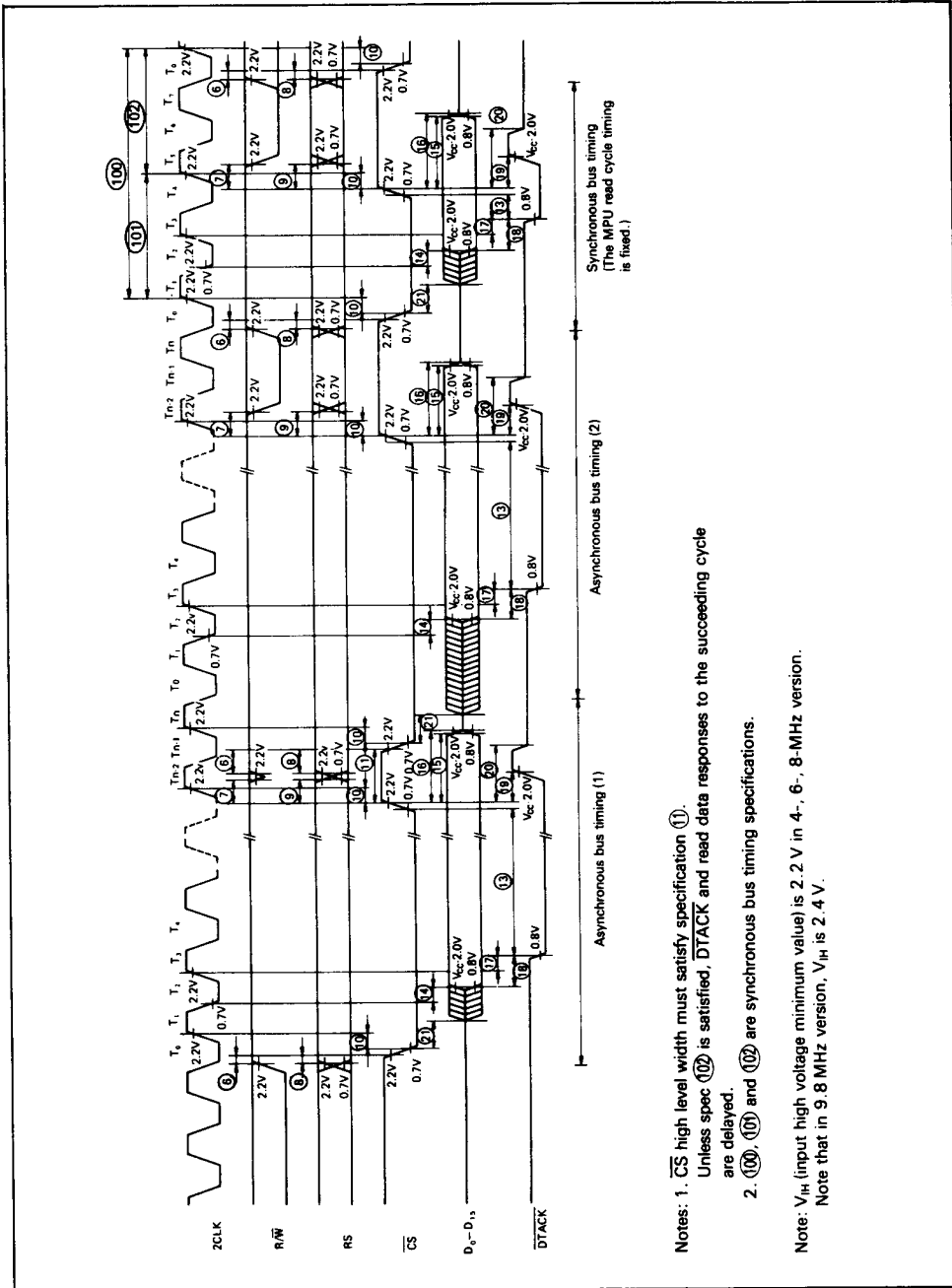


**Figure 16. Test Points**



**Figure 17. 2CLK Waveform**

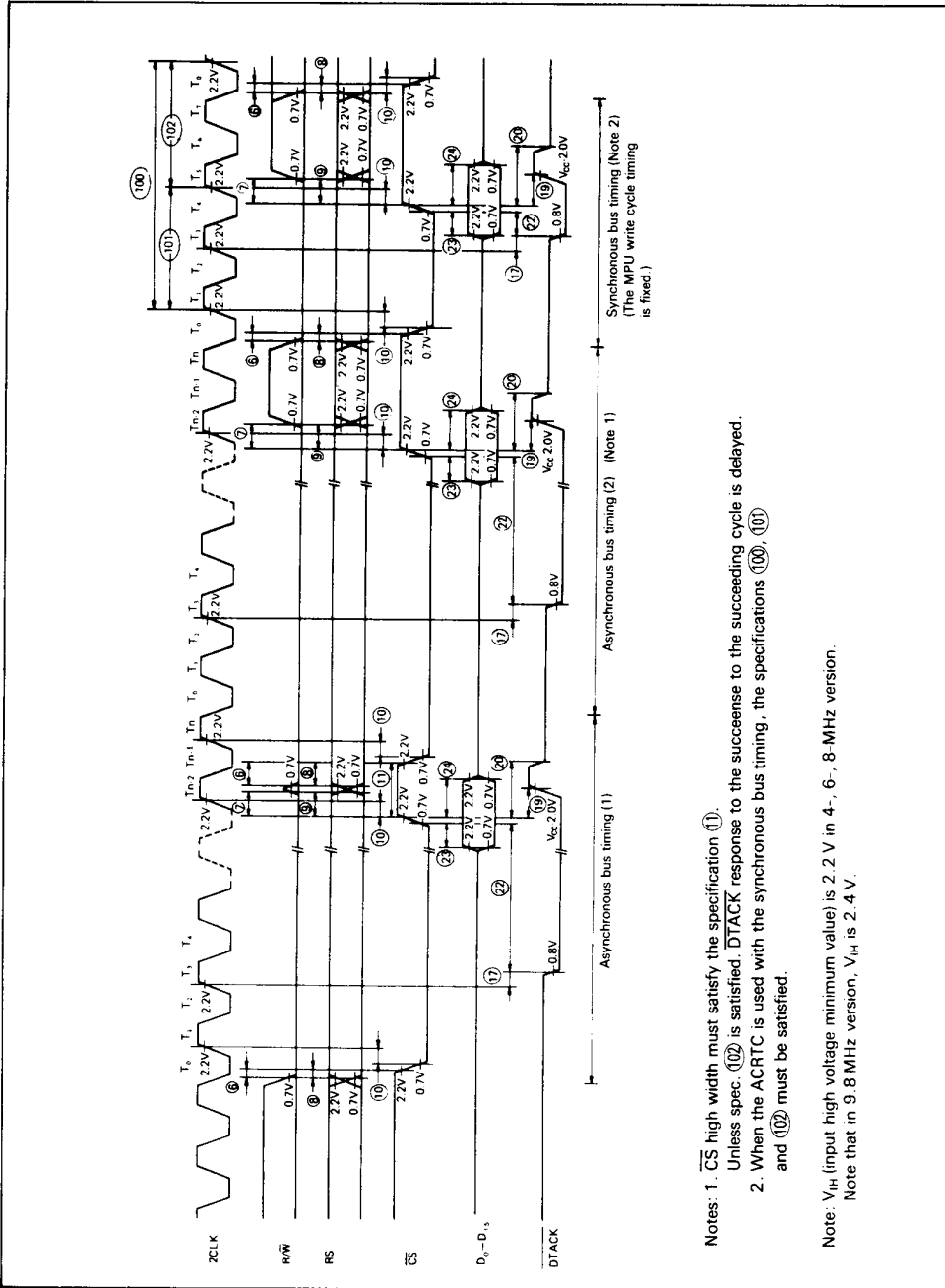




Notes: 1.  $\overline{CS}$  high level width must satisfy specification (1).  
 Unless spec (12) is satisfied,  $\overline{DTACK}$  and read data responses to the succeeding cycle are delayed.  
 2. (10), (11) and (12) are synchronous bus timing specifications.

Note:  $V_{IH}$  (input high voltage minimum value) is 2.2 V in 4-, 6-, 8-MHz version.  
 Note that in 9.8 MHz version,  $V_{IH}$  is 2.4 V.

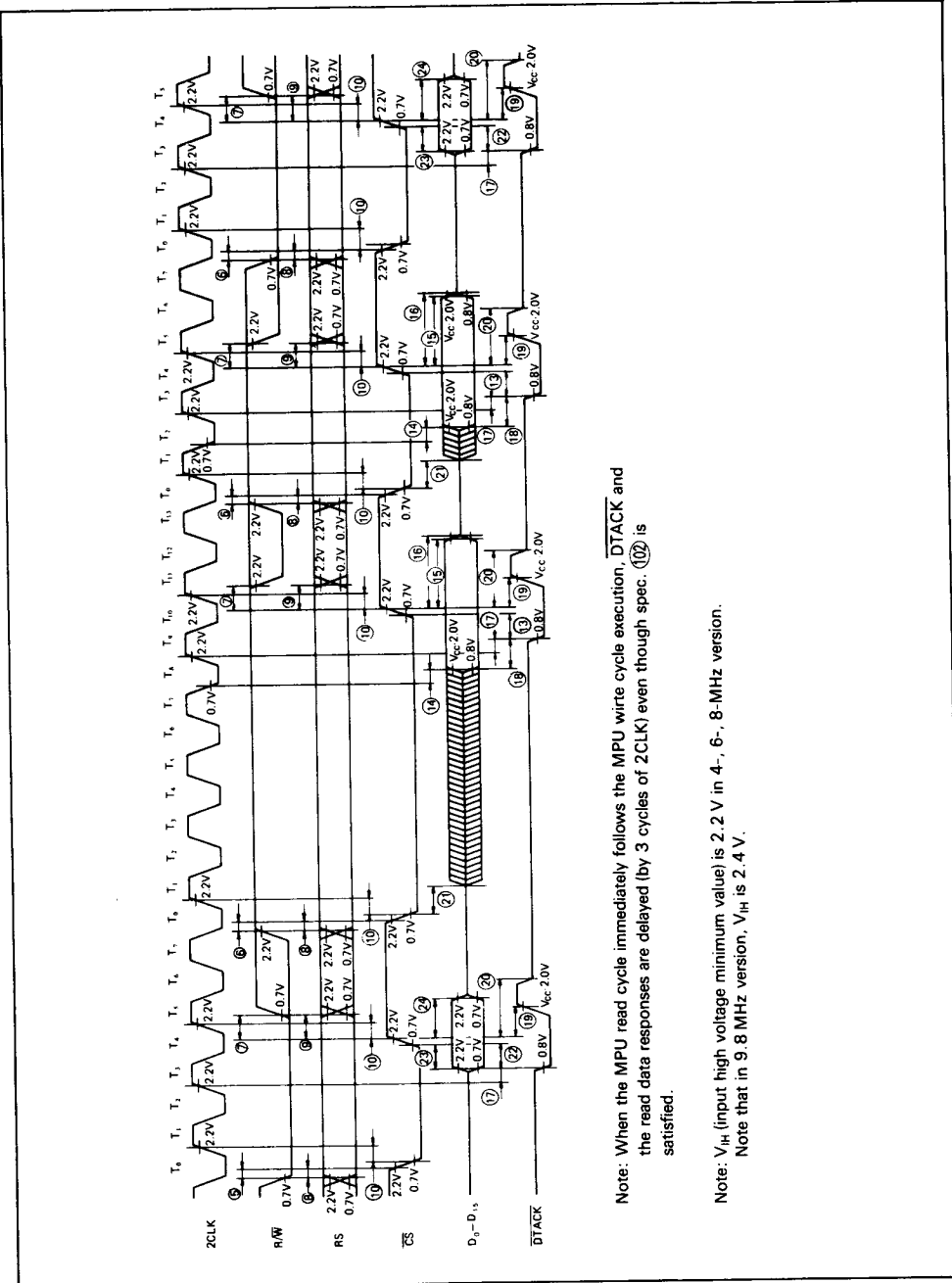
Figure 18. MPU Read Cycle Timing (MPU ← ACRTC)



Notes: 1.  $\overline{CS}$  high width must satisfy the specification (1).  
 Unless spec. (10) is satisfied, DTACK response to the succeneuse to the succeeding cycle is delayed.  
 2. When the ACRTC is used with the synchronous bus timing, the specifications (100), (10) and (102) must be satisfied.

Note: V<sub>IH</sub> (input high voltage minimum value) is 2.2 V in 4-, 6-, 8-MHz version.  
 Note that in 9.8 MHz version, V<sub>IH</sub> is 2.4 V.

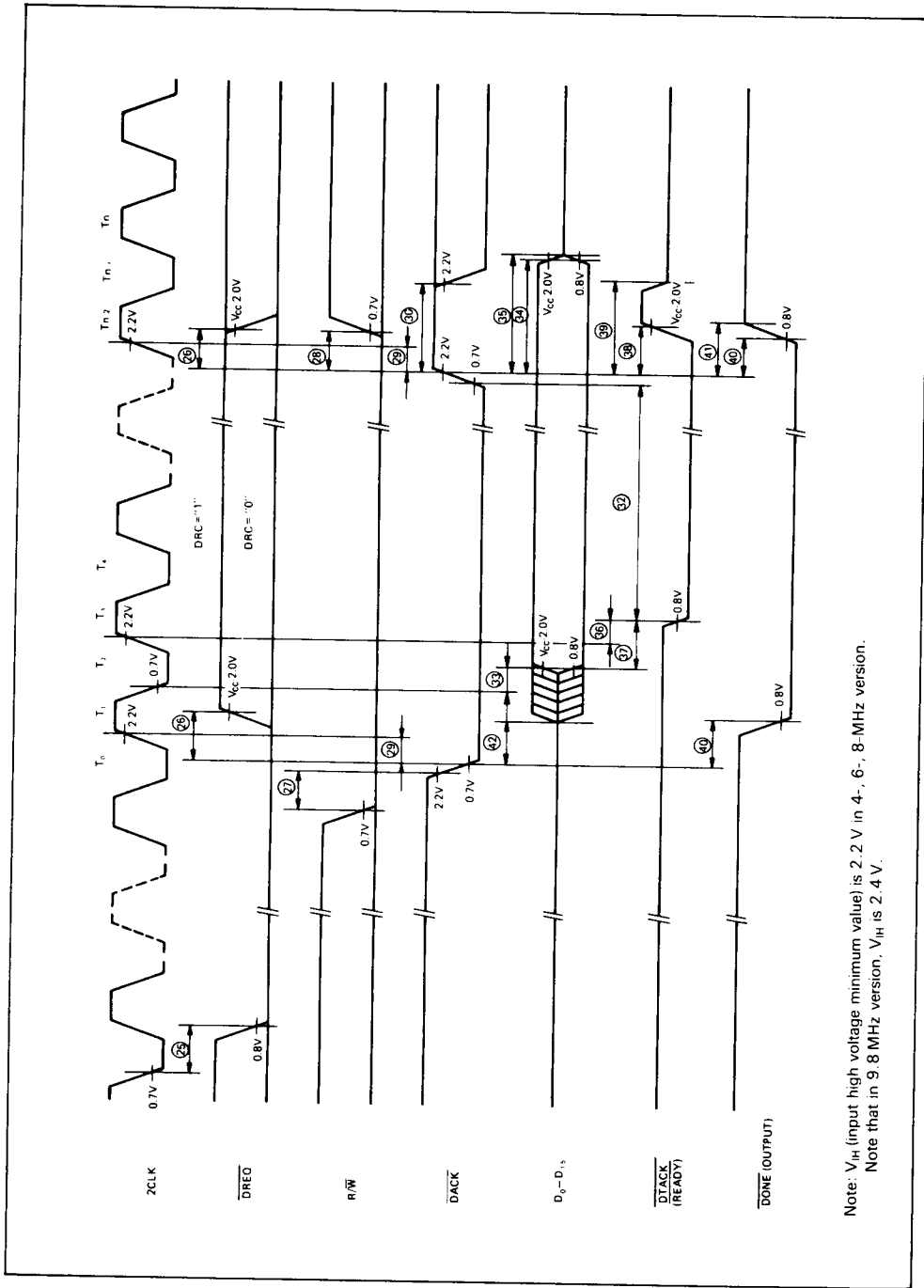
Figure 19. MPU Write Cycle Timing (MPU → ACRTC)



Note: When the MPU read cycle immediately follows the MPU write cycle execution,  $\overline{DTACK}$  and the read data responses are delayed (by 3 cycles of 2CLK) even though spec. (10) is satisfied.

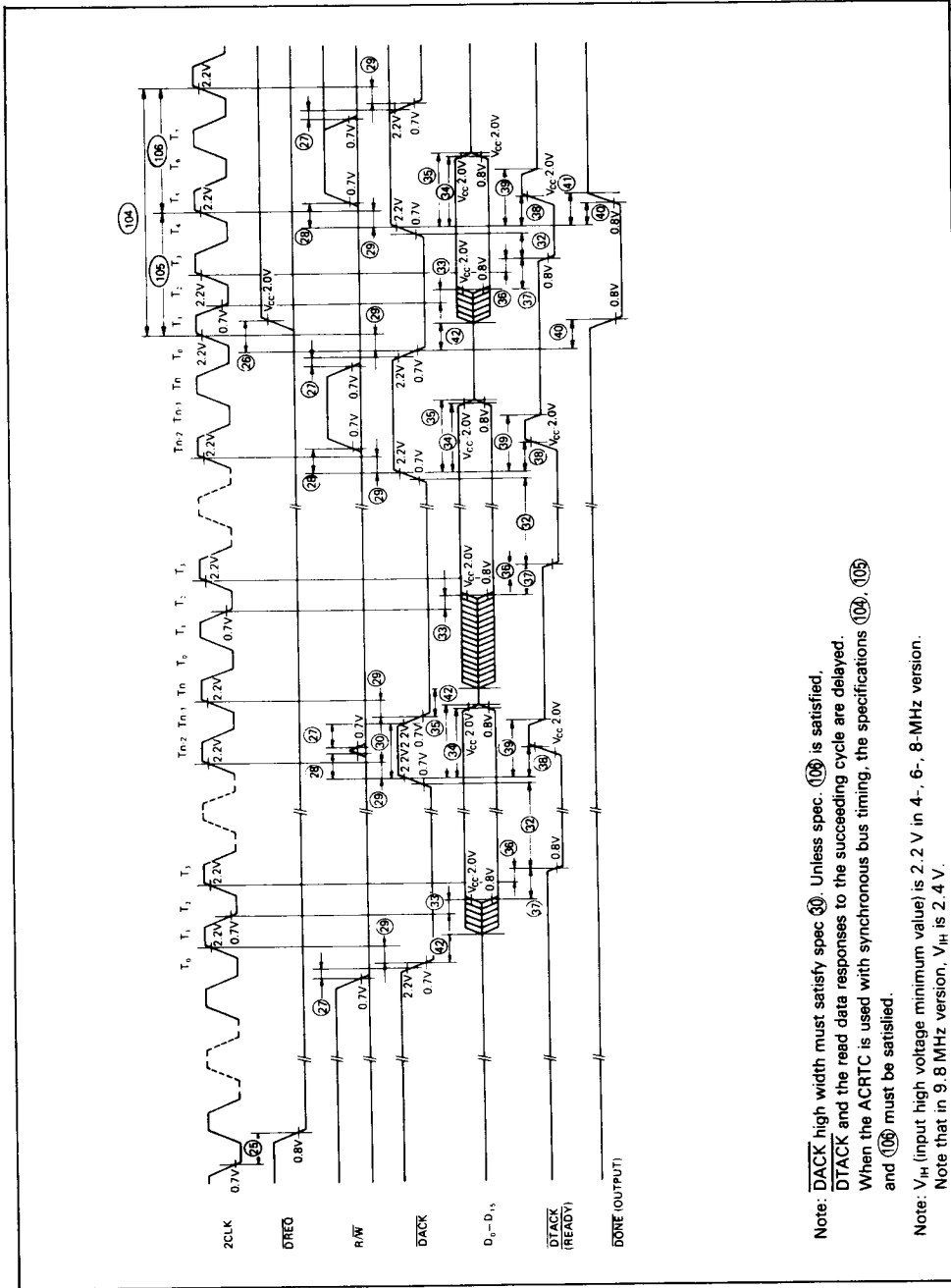
Note: V<sub>H</sub> (input high voltage minimum value) is 2.2 V in 4-, 6-, 8-MHz version.  
 Note that in 9.8 MHz version, V<sub>H</sub> is 2.4 V.

Figure 20. MPU Read/Write Cycle Timing (MPU → ACRTC)



Note:  $V_{IH}$  (input high voltage minimum value) is 2.2 V in 4-, 6-, 8-MHz version.  
 Note that in 9.8 MHz version,  $V_{IH}$  is 2.4 V.

Figure 21. DMA Read Cycle Timing (Memory ← ACRTC)

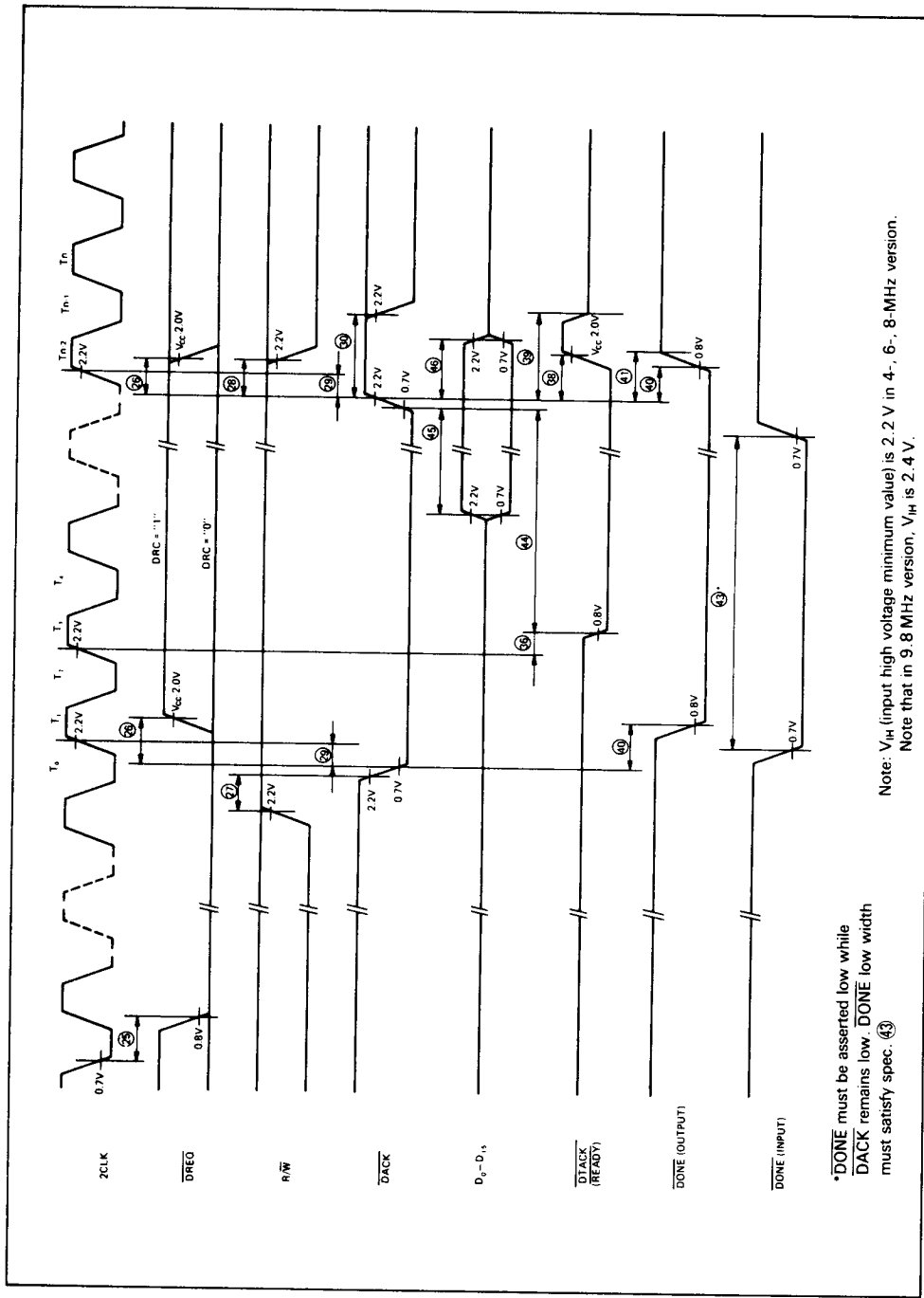


Note:  $\overline{\text{DACK}}$  high width must satisfy spec ④. Unless spec. ⑩ is satisfied,  $\overline{\text{DACK}}$  and the read data responses to the succeeding cycle are delayed. When the ACRTC is used with synchronous bus timing, the specifications ⑩, ⑪ and ⑫ must be satisfied.

Note:  $V_{IH}$  (input high voltage minimum value) is 2.2 V in 4-, 6-, 8-MHz version. Note that in 9.8 MHz version,  $V_{IH}$  is 2.4 V.

Figure 22. DMA Ready Cycle Timing (Memory - ACRTC): Burst Mode



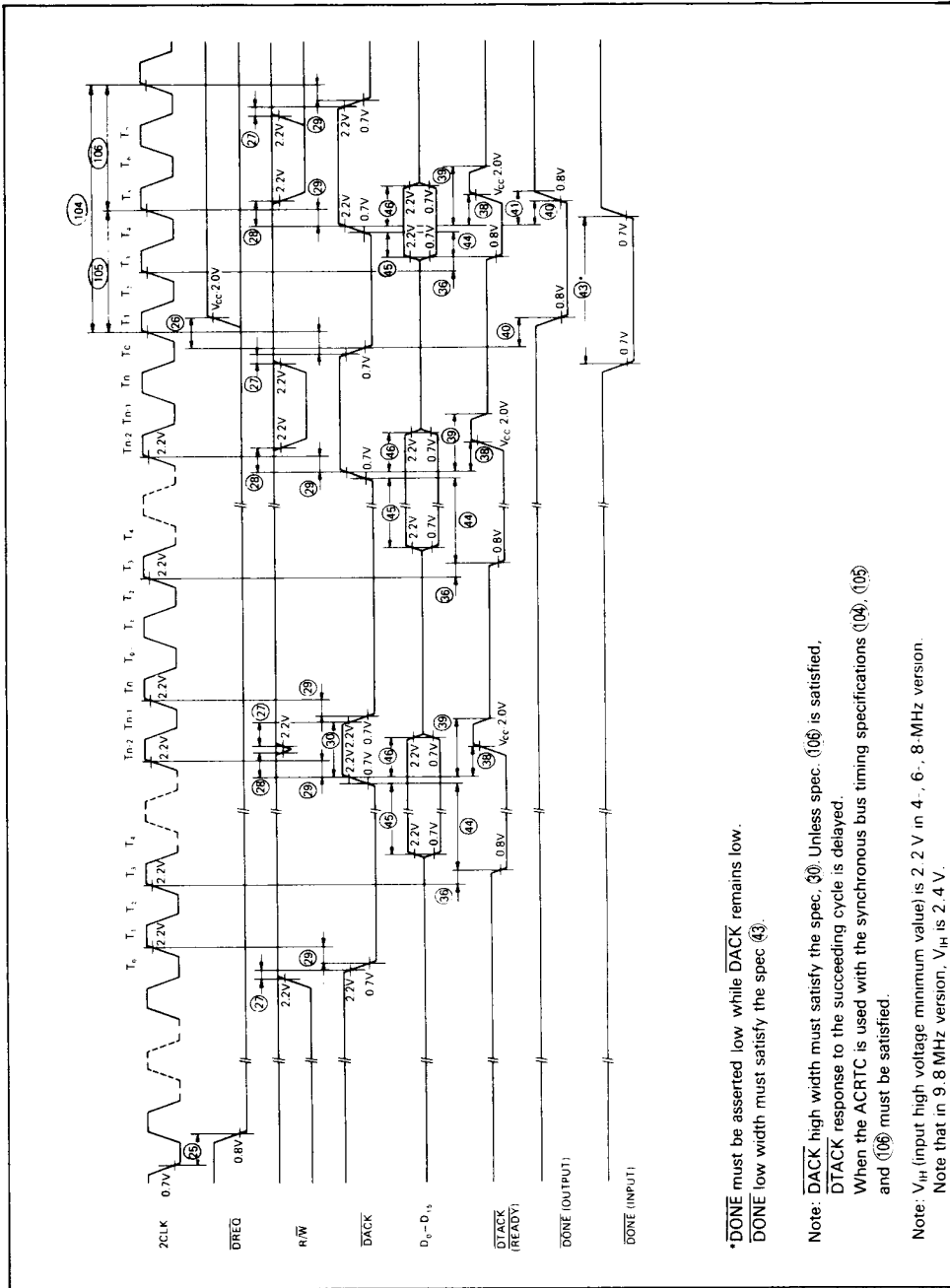


\*DONE must be asserted low while DACK remains low. DONE low width must satisfy spec. ④

Note:  $V_{IH}$  (input high voltage minimum value) is 2.2 V in 4-, 6-, 8-MHz version. Note that in 9.8 MHz version,  $V_{IH}$  is 2.4 V.

Figure 23. DMA Write Cycle Timing (Memory → ACRTC)





\*DONE must be asserted low while DACK remains low.  
DONE low width must satisfy the spec (43).

Note: DACK high width must satisfy the spec. (106) Unless spec. (106) is satisfied, DTACK response to the succeeding cycle is delayed.  
 When the ACRTC is used with the synchronous bus timing specifications (104), (105) and (106) must be satisfied.

Note:  $V_{IH}$  (input high voltage minimum value) is 2.2 V in 4-, 6-, 8-MHz version.  
 Note that in 9.8MHz version,  $V_{IH}$  is 2.4 V.

Figure 24. DMA Write Cycle Timing (Memory → ACRTC): Burst Mode

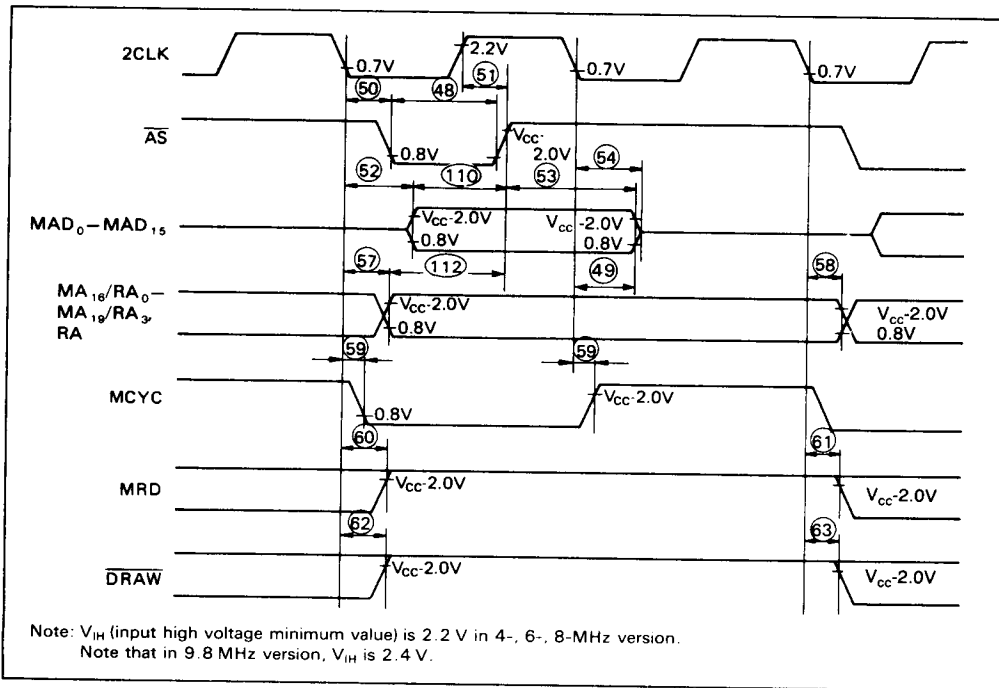
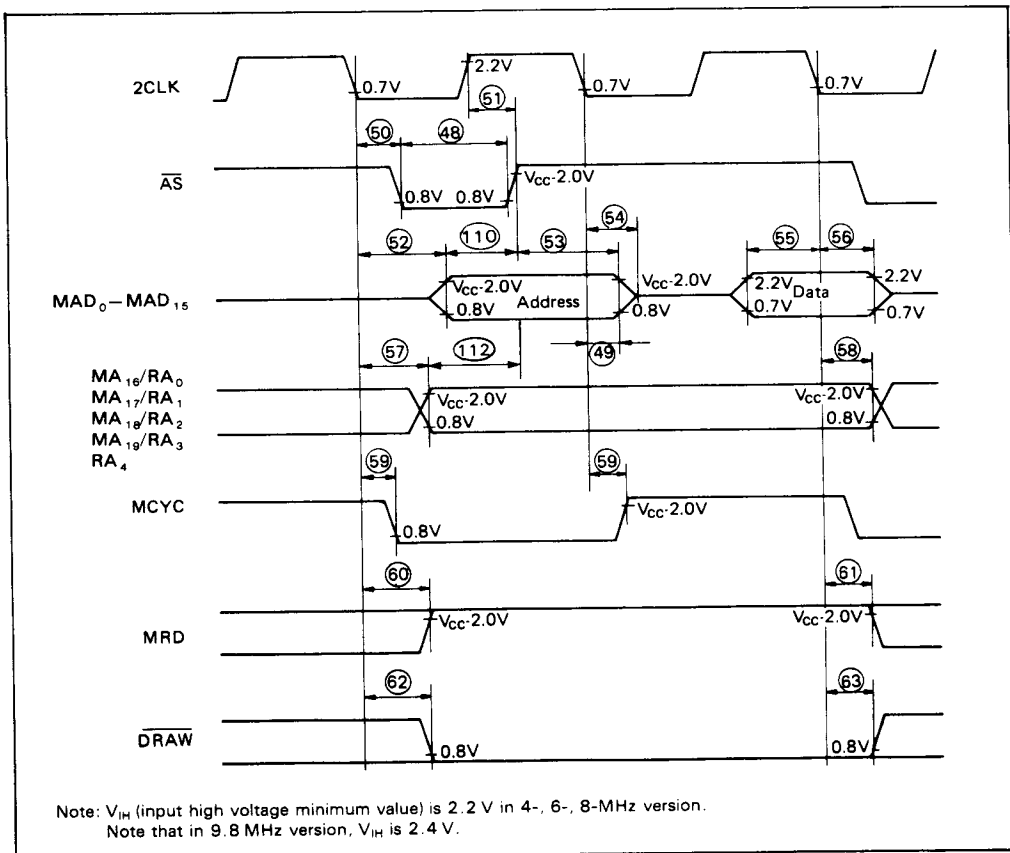


Figure 25. Display Cycle Timing

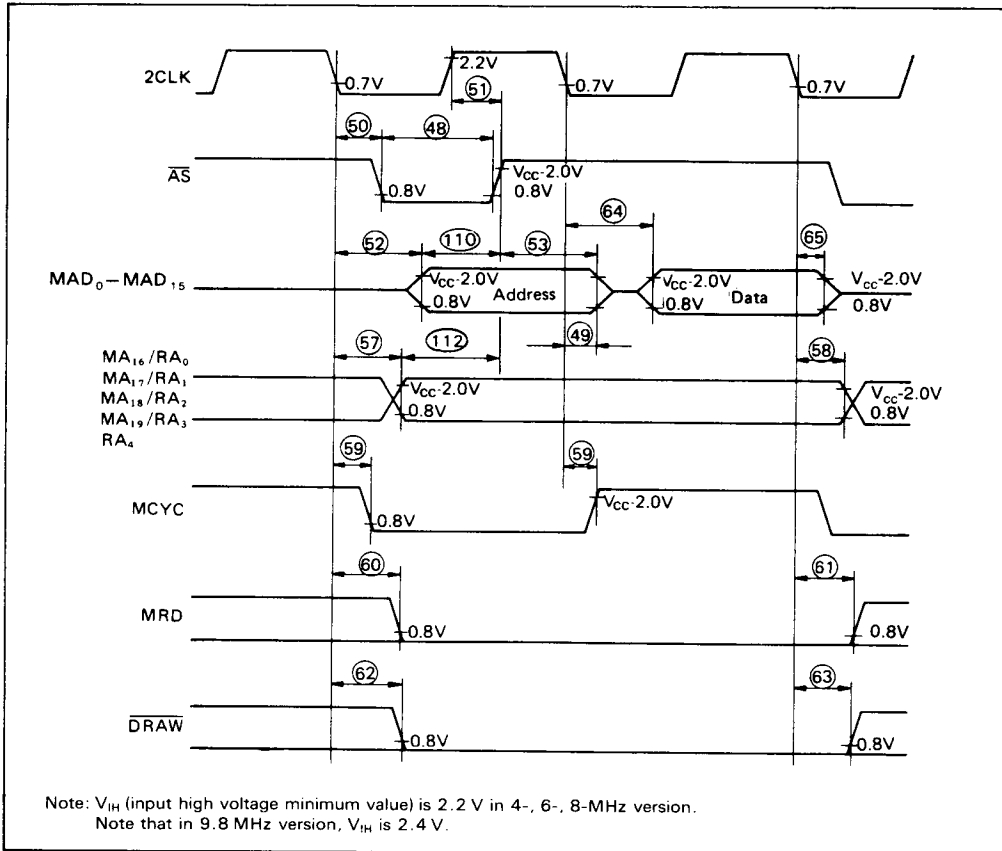




**Figure 26. Frame Memory Read Cycle Timing (ACRTC - Frame Memory)**

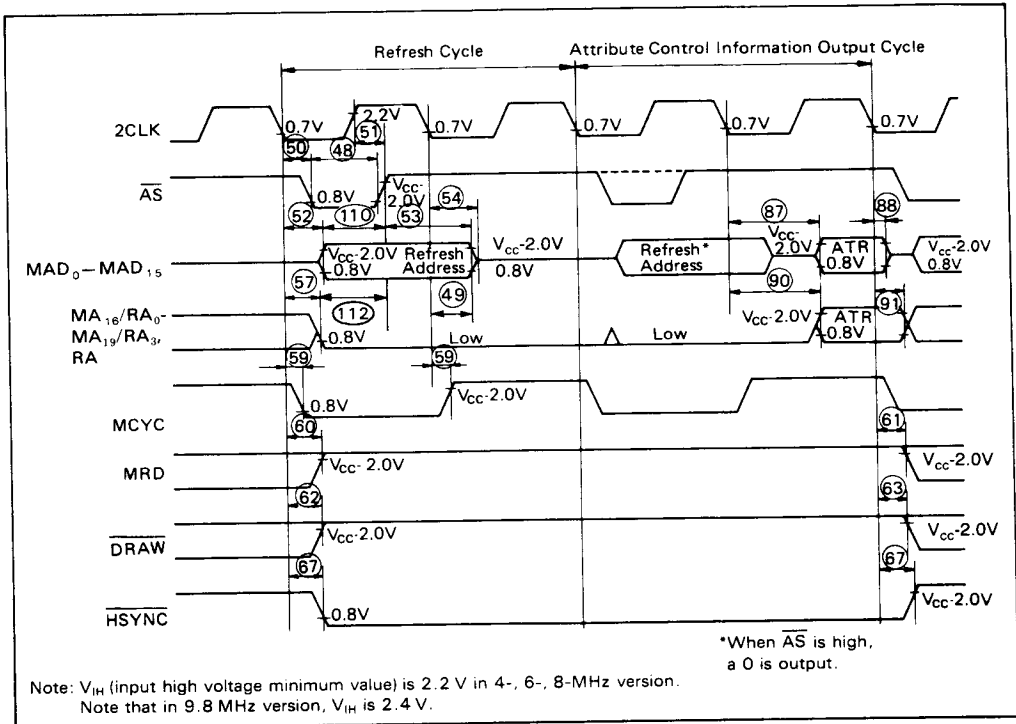
2





**Figure 27. Frame Memory Write Cycle Timing (ACRTC → Frame Memory)**





**Figure 28. Frame Memory Refresh/Video Attributes Output Cycle Timing**



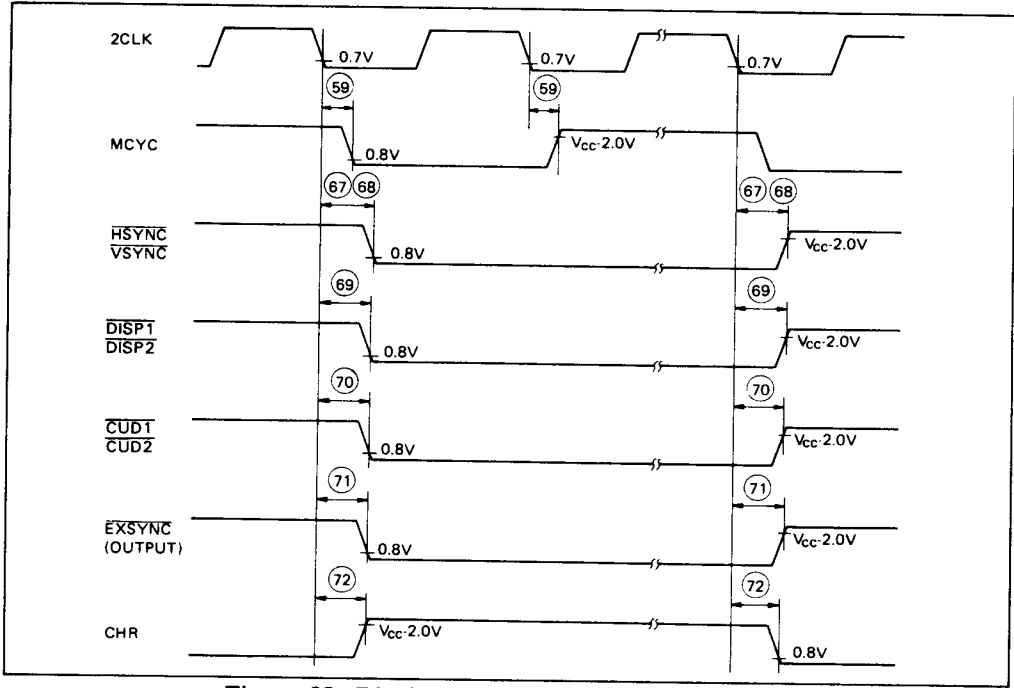


Figure 29. Display Control Signal Output Timing

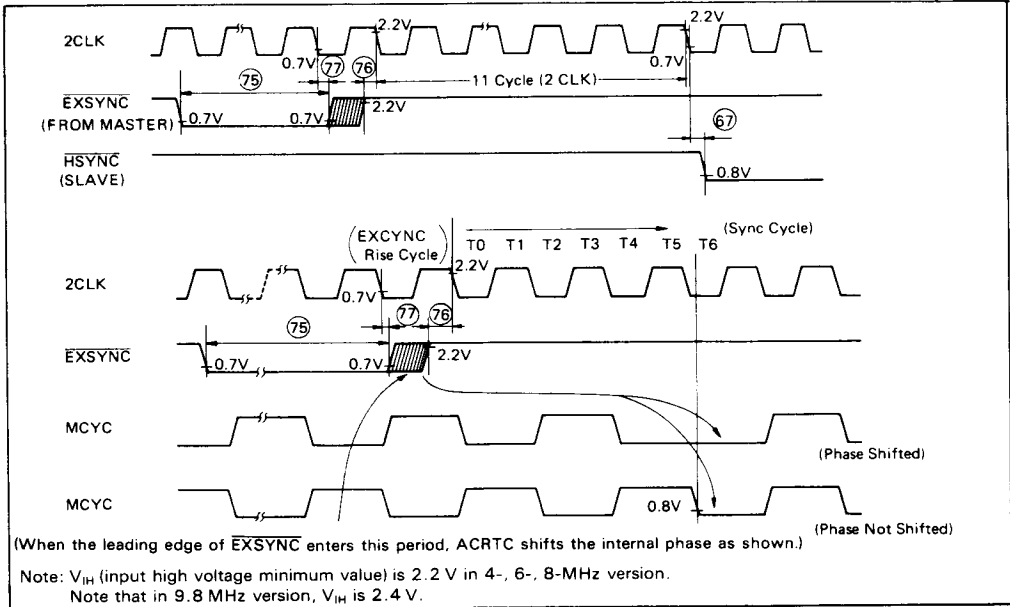


Figure 30. EXSYNC Input Timing

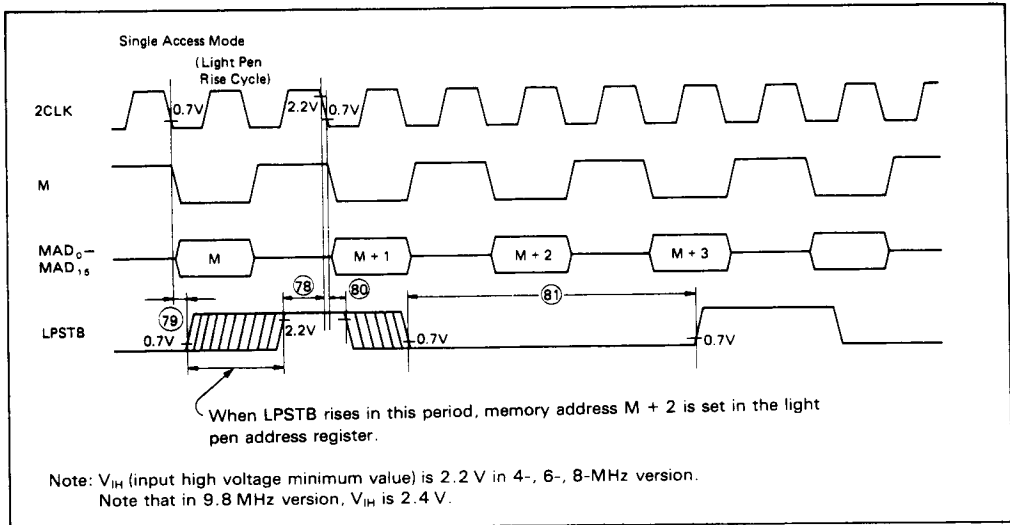


Figure 31. LPSTB Input Timing (Single Access Mode)

2

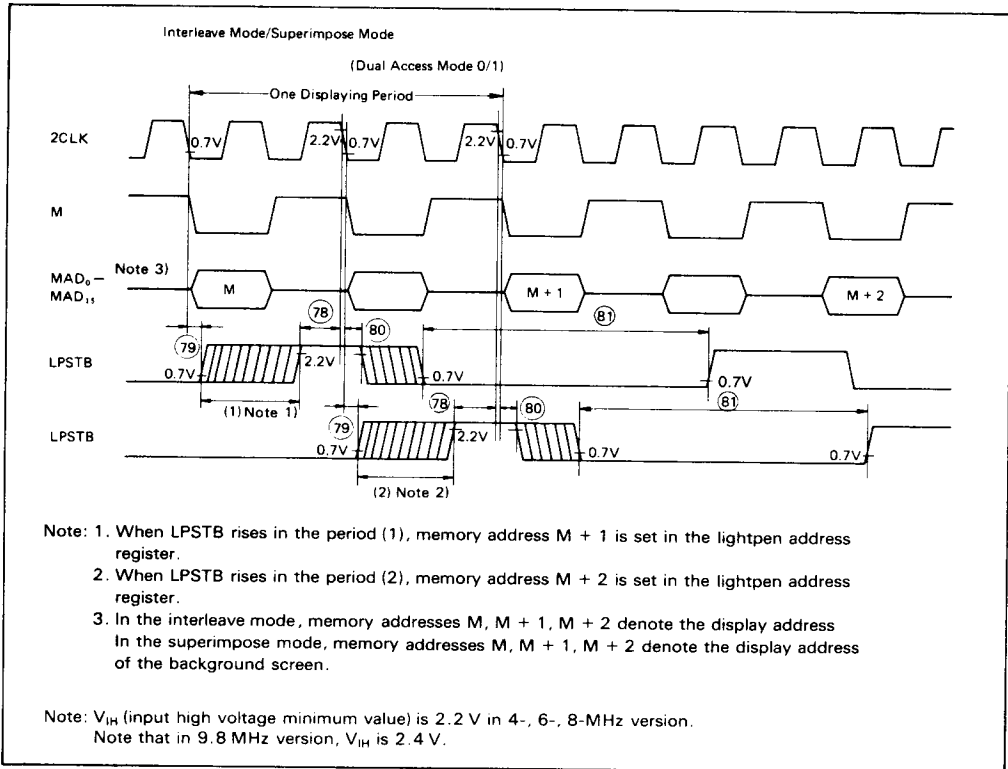


Figure 32. LPSTB Input Timing (Dual Access Mode)

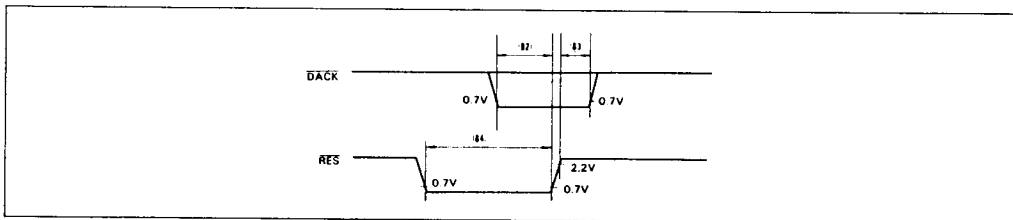


Figure 33. RES Input and DACK Input Timing (System Reset and 16-Bit/8-Bit Selection)

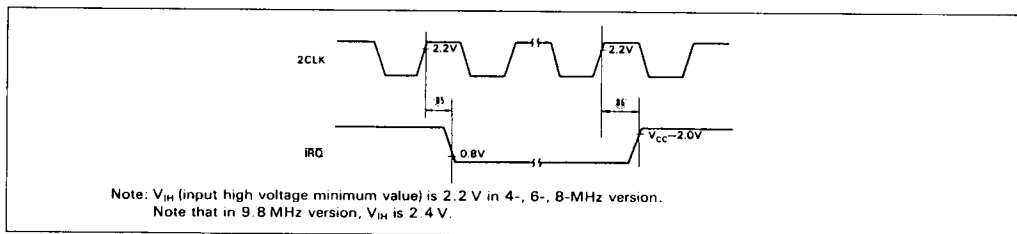
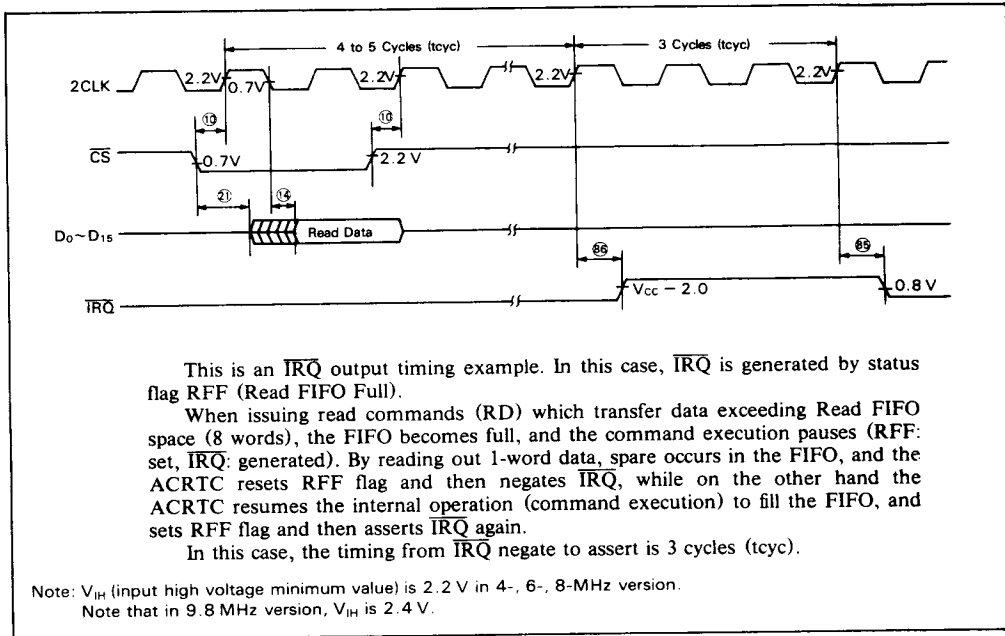
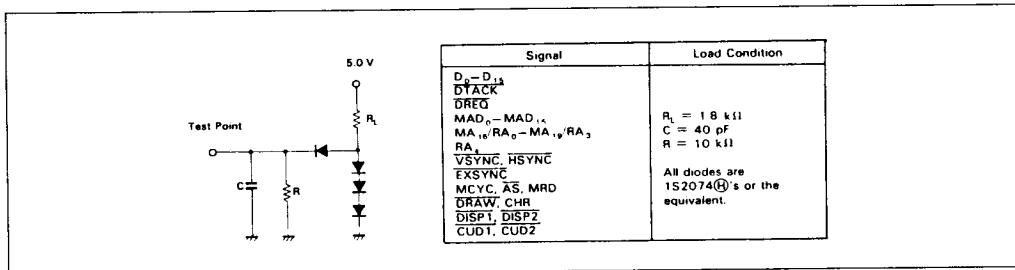


Figure 34. IRQ Output Timing

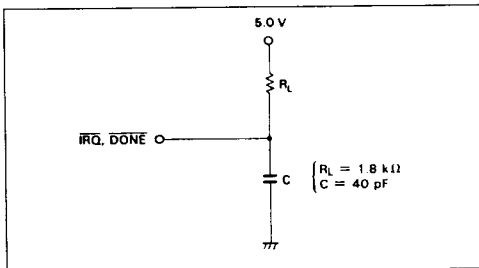




**Figure 35.  $\overline{IRQ}$  Output Timing (Example: Read FIFO Full Interrupt Enable)**



**Figure 36. Test Load Circuit A**



**Figure 37. Test Load Circuit B**

