

To all our customers

Regarding the change of names mentioned in the document, such as Hitachi Electric and Hitachi XX, to Renesas Technology Corp.

The semiconductor operations of Mitsubishi Electric and Hitachi were transferred to Renesas Technology Corporation on April 1st 2003. These operations include microcomputer, logic, analog and discrete devices, and memory chips other than DRAMs (flash memory, SRAMs etc.) Accordingly, although Hitachi, Hitachi, Ltd., Hitachi Semiconductors, and other Hitachi brand names are mentioned in the document, these names have in fact all been changed to Renesas Technology Corp. Thank you for your understanding. Except for our corporate trademark, logo and corporate statement, no changes whatsoever have been made to the contents of the document, and these changes do not constitute any alteration to the contents of the document itself.

Renesas Technology Home Page: <http://www.renesas.com>

Renesas Technology Corp.
Customer Support Dept.
April 1, 2003

Cautions

Keep safety first in your circuit designs!

1. Renesas Technology Corporation puts the maximum effort into making semiconductor products better and more reliable, but there is always the possibility that trouble may occur with them. Trouble with semiconductors may lead to personal injury, fire or property damage.

Remember to give due consideration to safety when making your circuit designs, with appropriate measures such as (i) placement of substitutive, auxiliary circuits, (ii) use of nonflammable material or (iii) prevention against any malfunction or mishap.

Notes regarding these materials

1. These materials are intended as a reference to assist our customers in the selection of the Renesas Technology Corporation product best suited to the customer's application; they do not convey any license under any intellectual property rights, or any other rights, belonging to Renesas Technology Corporation or a third party.
2. Renesas Technology Corporation assumes no responsibility for any damage, or infringement of any third-party's rights, originating in the use of any product data, diagrams, charts, programs, algorithms, or circuit application examples contained in these materials.
3. All information contained in these materials, including product data, diagrams, charts, programs and algorithms represents information on products at the time of publication of these materials, and are subject to change by Renesas Technology Corporation without notice due to product improvements or other reasons. It is therefore recommended that customers contact Renesas Technology Corporation or an authorized Renesas Technology Corporation product distributor for the latest product information before purchasing a product listed herein.
The information described here may contain technical inaccuracies or typographical errors. Renesas Technology Corporation assumes no responsibility for any damage, liability, or other loss rising from these inaccuracies or errors.
Please also pay attention to information published by Renesas Technology Corporation by various means, including the Renesas Technology Corporation Semiconductor home page (<http://www.renesas.com>).
4. When using any or all of the information contained in these materials, including product data, diagrams, charts, programs, and algorithms, please be sure to evaluate all information as a total system before making a final decision on the applicability of the information and products. Renesas Technology Corporation assumes no responsibility for any damage, liability or other loss resulting from the information contained herein.
5. Renesas Technology Corporation semiconductors are not designed or manufactured for use in a device or system that is used under circumstances in which human life is potentially at stake. Please contact Renesas Technology Corporation or an authorized Renesas Technology Corporation product distributor when considering the use of a product contained herein for any specific purposes, such as apparatus or systems for transportation, vehicular, medical, aerospace, nuclear, or undersea repeater use.
6. The prior written approval of Renesas Technology Corporation is necessary to reprint or reproduce in whole or in part these materials.
7. If these products or technologies are subject to the Japanese export control restrictions, they must be exported under a license from the Japanese government and cannot be imported into a country other than the approved destination.
Any diversion or reexport contrary to the export control laws and regulations of Japan and/or the country of destination is prohibited.
8. Please contact Renesas Technology Corporation for further details on these materials or the products contained therein.

HD404818 Series

4-Bit Single-Chip Microcomputer



Preliminary
Rev. 2.0
Sept. 1998

Description

The HD404818 Series of 4-bit single-chip HMCS400 series microcomputers provide high program productivity. It incorporates a large size memory, LCD controller/driver, voltage comparator, and 32-kHz watch oscillator circuit.

The HD404818 Series has both standard voltage versions and low voltage versions available. The standard voltage versions operate at 4.0 V to 6.0 V (mask ROM version) and 4.0 V to 5.5 V (PROM version), while the low voltage versions operate at 2.7 V to 6.0 V (mask ROM) and 3.0 V to 5.5 V (PROM). Low voltage versions include an L in their product name.

Standard voltage versions: HD404812, HD404814, HD404816, HD404818, HD4074818

Low voltage versions: HD40L4812, HD40L4814, HD40L4816, HD40L4818, HD407L4818

The HD4074818 and HD407L4818, containing PROMs, are ZTAT™ microcomputers which can dramatically shorten system development time and smoothly proceed from debugging to mass production.

ZTAT™ : Zero Turn Around Time ZTAT is a trademark of Hitachi Ltd.

Features

- 2048-word × 10-bit ROM (HD404812, HD40L4812)
- 4096-word × 10-bit ROM (HD404814, HD40L4814)
- 6144-word × 10-bit ROM (HD404816, HD40L4816)
- 8192-word × 10-bit ROM (HD404818, HD40L4818, HD4074818, HD407L4818)
- 1184-digit × 4-bit RAM
- 30 I/O pins, including 10 high-current output pins, all CMOS and programmable as I/O pull-up MOS
- LCD controller/driver (32 segments × 4 commons)
- Three timer/counters
- Clock-synchronous 8-bit serial interface
- Six interrupt sources
 - Two by external sources
 - Four by internal sources

HD404818 Series

- Subroutine stack up to 16 levels, including interrupts
- Instruction cycle time:
 - 1 μ s ($f_{osc} = 4$ MHz for HD404812/HD404814/HD404816/HD404818/HD4074818)
 - 5 μ s ($f_{osc} = 800$ kHz for HD40L4812/HD40L4814/HD40L4816/HD40L4818/HD407L4818)
- Four low-power dissipation modes
 - Standby mode
 - Stop mode
 - Watch mode
 - Subactive mode
- Internal oscillator:
 - Main clock: Can be driven by ceramic oscillator, crystal oscillator, or external clock
 - Subclock: 32.768-kHz crystal
- Voltage comparator (2 channels)
- Package
 - 80-pin plastic flat package (FP-80B, FP-80A)
 - 80-pin plastic thin flat package (TFP-80)

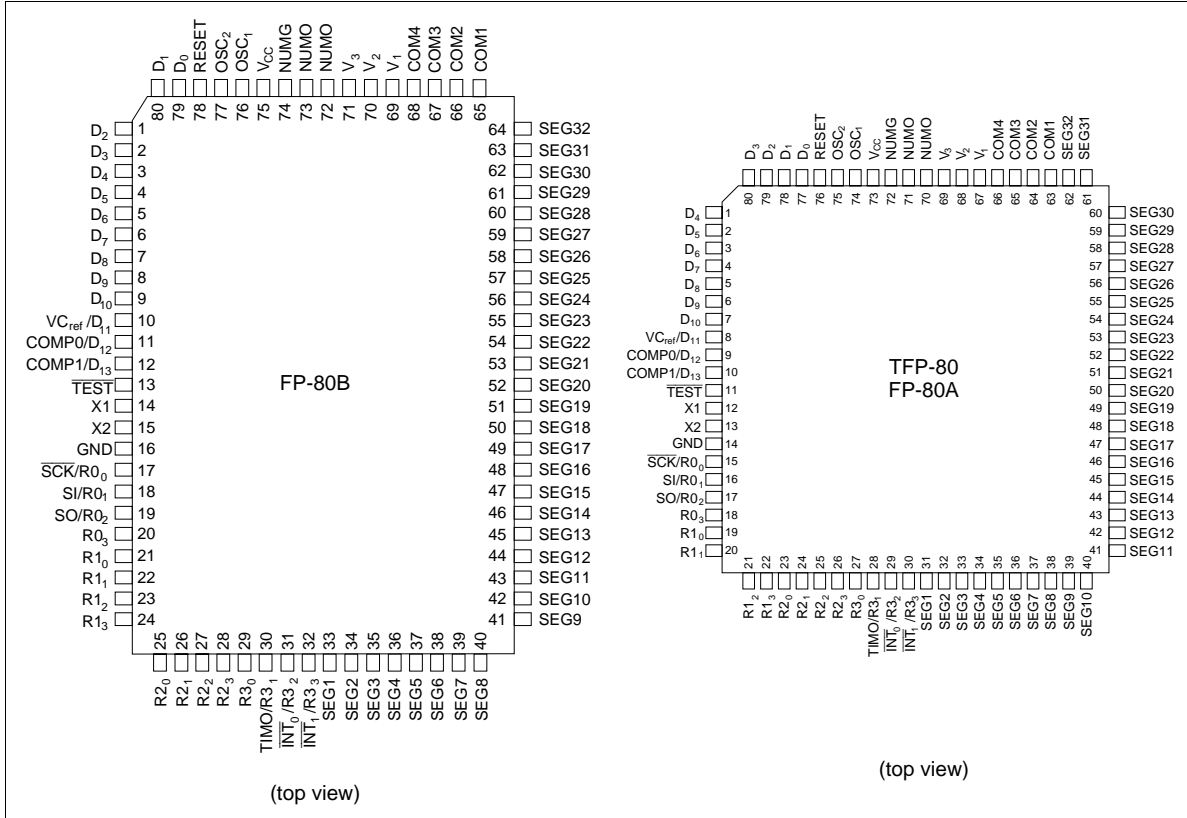
HD404818 Series

Ordering Information

| Type | Supply Voltage | Product Name | Model Name | ROM (Word) | Clock Frequency | Package | |
|-----------|---|----------------------------|--------------|-------------|-----------------|---------|--------|
| Mask ROM | Standard (4.0 to 6.0 V) | HD404812 | HD404812FS | 2,048 | 4 | FP-80B | |
| | | | HD404812H | | | FP-80A | |
| | | | HD404812TF | | | TFP-80 | |
| | | HD404814 | HD404814FS | 4,096 | | FP-80B | |
| | | | HD404814H | | | FP-80A | |
| | | | HD404814TF | | | TFP-80 | |
| | | HD404816 | HD404816FS | 6,144 | | FP-80B | |
| | | | HD404816H | | | FP-80A | |
| | | | HD404816TF | | | TFP-80 | |
| | HD404818 | HD404818FS | 8,192 | FP-80B | | | |
| | | HD404818H | | FP-80A | | | |
| | | HD404818TF | | TFP-80 | | | |
| | Low-voltage operation (2.7 to 6.0 V) | HD40L4812 | HD40L4812FS | 2,048 | 0.8 | FP-80B | |
| | | | HD40L4812H | | | FP-80A | |
| | | | HD40L4812TF | | | TFP-80 | |
| HD40L4814 | | | HD40L4814FS | 4,096 | | FP-80B | |
| | | | HD40L4814H | | | FP-80A | |
| | | | HD40L4814TF | | | TFP-80 | |
| HD40L4816 | | | HD40L4816FS | 6,144 | | FP-80B | |
| | | | HD40L4816H | | | FP-80A | |
| | | | HD40L4816TF | | | TFP-80 | |
| HD40L4818 | | HD40L4818FS | 8,192 | FP-80B | | | |
| | | HD40L4818H | | FP-80A | | | |
| | | HD40L4818TF | | TFP-80 | | | |
| ZTAT™ | | Standard (4.0 to 5.5 V) | HD4074818 | HD4074818FS | 8,192 | 4 | FP-80B |
| | | | | HD4074818H | | | FP-80A |
| | | | | HD4074818TF | | | TFP-80 |
| | Low-voltage operation (3.0 to 5.5 V) | HD407L4818 | HD407L4818FS | 8,192 | 0.8 | FP-80B | |
| | | | HD407L4818H | | | FP-80A | |
| | | | HD407L4818TF | | | TFP-80 | |

HD404818 Series

Pin Arrangement



Pin Description

| Pin Number | | | | Pin Number | | | |
|------------|----------------|------------------------------------|-----|------------|----------------|-----------------------------------|-----|
| FP-80B | FP-80A, TFP-80 | Pin Name | I/O | FP-80B | FP-80A, TFP-80 | Pin Name | I/O |
| 1 | 79 | D ₂ | I/O | 31 | 29 | R3 ₂ /INT ₀ | I/O |
| 2 | 80 | D ₃ | I/O | 32 | 30 | R3 ₃ /INT ₁ | I/O |
| 3 | 1 | D ₄ | I/O | 33 | 31 | SEG1 | O |
| 4 | 2 | D ₅ | I/O | 34 | 32 | SEG2 | O |
| 5 | 3 | D ₆ | I/O | 35 | 33 | SEG3 | O |
| 6 | 4 | D ₇ | I/O | 36 | 34 | SEG4 | O |
| 7 | 5 | D ₈ | I/O | 37 | 35 | SEG5 | O |
| 8 | 6 | D ₉ | I/O | 38 | 36 | SEG6 | O |
| 9 | 7 | D ₁₀ | I | 39 | 37 | SEG7 | O |
| 10 | 8 | D ₁₁ /VC _{ref} | I | 40 | 38 | SEG8 | O |
| 11 | 9 | D ₁₂ /COMP ₀ | I | 41 | 39 | SEG9 | O |
| 12 | 10 | D ₁₃ /COMP ₁ | I | 42 | 40 | SEG10 | O |
| 13 | 11 | TEST | I | 43 | 41 | SEG11 | O |
| 14 | 12 | X1 | I | 44 | 42 | SEG12 | O |
| 15 | 13 | X2 | O | 45 | 43 | SEG13 | O |
| 16 | 14 | GND | | 46 | 44 | SEG14 | O |
| 17 | 15 | R0 ₀ /SCK | I/O | 47 | 45 | SEG15 | O |
| 18 | 16 | R0 ₁ /SI | I/O | 48 | 46 | SEG16 | O |
| 19 | 17 | R0 ₂ /SO | I/O | 49 | 47 | SEG17 | O |
| 20 | 18 | R0 ₃ | I/O | 50 | 48 | SEG18 | O |
| 21 | 19 | R1 ₀ | I/O | 51 | 49 | SEG19 | O |
| 22 | 20 | R1 ₁ | I/O | 52 | 50 | SEG20 | O |
| 23 | 21 | R1 ₂ | I/O | 53 | 51 | SEG21 | O |
| 24 | 22 | R1 ₃ | I/O | 54 | 52 | SEG22 | O |
| 25 | 23 | R2 ₀ | I/O | 55 | 53 | SEG23 | O |
| 26 | 24 | R2 ₁ | I/O | 56 | 54 | SEG24 | O |
| 27 | 25 | R2 ₂ | I/O | 57 | 55 | SEG25 | O |
| 28 | 26 | R2 ₃ | I/O | 58 | 56 | SEG26 | O |
| 29 | 27 | R3 ₀ | I/O | 59 | 57 | SEG27 | O |
| 30 | 28 | R3 ₁ /TIMO | I/O | 60 | 58 | SEG28 | O |

HD404818 Series

| Pin Number | | | | Pin Number | | | |
|------------|----------------|----------------|-----|------------|----------------|------------------|-----|
| FP-80B | FP-80A, TFP-80 | Pin Name | I/O | FP-80B | FP-80A, TFP-80 | Pin Name | I/O |
| 61 | 59 | SEG29 | O | 71 | 69 | V ₃ | |
| 62 | 60 | SEG30 | O | 72 | 70 | NUMO | |
| 63 | 61 | SEG31 | O | 73 | 71 | NUMO | |
| 64 | 62 | SEG32 | O | 74 | 72 | NUMG | |
| 65 | 63 | COM1 | O | 75 | 73 | V _{CC} | |
| 66 | 64 | COM2 | O | 76 | 74 | OSC ₁ | I |
| 67 | 65 | COM3 | O | 77 | 75 | OSC ₂ | O |
| 68 | 66 | COM4 | O | 78 | 76 | RESET | I |
| 69 | 67 | V ₁ | | 79 | 77 | D ₀ | I/O |
| 70 | 68 | V ₂ | | 80 | 78 | D ₁ | I/O |

Note: I/O: Input/output pin, I: Input pin, O: Output pin, NUMO: Open, NUMG: GND

Pin Functions

Power Supply

V_{CC}: Apply the V_{CC} power supply voltage to this pin.

GND: Connect to ground.

$\overline{\text{TEST}}$: For test purposes only. Connect it to V_{CC}.

RESET: MCU reset pin. Refer to the Reset section for details.

NUMG: Non-user pin. Connect it to GND.

NUMO: Non-user pin. Do not connect it to any lines.

Oscillators

OSC₁, OSC₂: Internal oscillator input pins. They both can be connected to a crystal, ceramic resonator, or external oscillator circuit. Refer to the Internal Oscillator Circuit section for details.

X1, X2: Watch oscillator 32-kHz crystal pins.

Ports

D₀–D₁₃ (D Port): Fourteen 1-bit I/O ports. D₀ to D₉ are I/O ports and D₁₀ to D₁₃ are input ports. D₀–D₉ are high current output ports (15 mA max.). D₁₁–D₁₃ are also available as voltage comparators. Refer to the Input/Output section for details.

R0–R3 (R Ports): 4-bit I/O ports. R₀, R₀₁, R₀₂, R₃₁, R₃₂, and R₃₃ are multiplexed with $\overline{\text{SCK}}$, SI, SO, TIMO, $\overline{\text{INT}}_0$, and $\overline{\text{INT}}_1$, respectively.

Interrupts

$\overline{\text{INT}}_0$, $\overline{\text{INT}}_1$: External interrupt pins. $\overline{\text{INT}}_1$ can be used as an external event input pin for timer B. $\overline{\text{INT}}_0$ and $\overline{\text{INT}}_1$ are multiplexed with R₃₂ and R₃₃, respectively. For details, see the Interrupts section.

Serial Interface

$\overline{\text{SCK}}$, SI, SO: The transmit clock I/O pin ($\overline{\text{SCK}}$), serial data input pin (SI), and serial data output pin (SO) are used for serial interface. $\overline{\text{SCK}}$, SI, and SO are multiplexed with R₀₀, R₀₁, and R₀₂, respectively. For details, see the Serial Interface section.

Timer

TIMO: Variable duty-cycle pulse waveform output pin. See the Timer C section for details.

HD404818 Series

LCD Driver/Controller

V₁, V₂, V₃: Power supply pins for the LCD driver. Since the LCD driving resistors are provided internally, no lines should be connected to these pins. The voltage on each pin is $V_{CC} \geq V_1 \geq V_2 \geq V_3 \geq GND$. See the Liquid Crystal Display section for details.

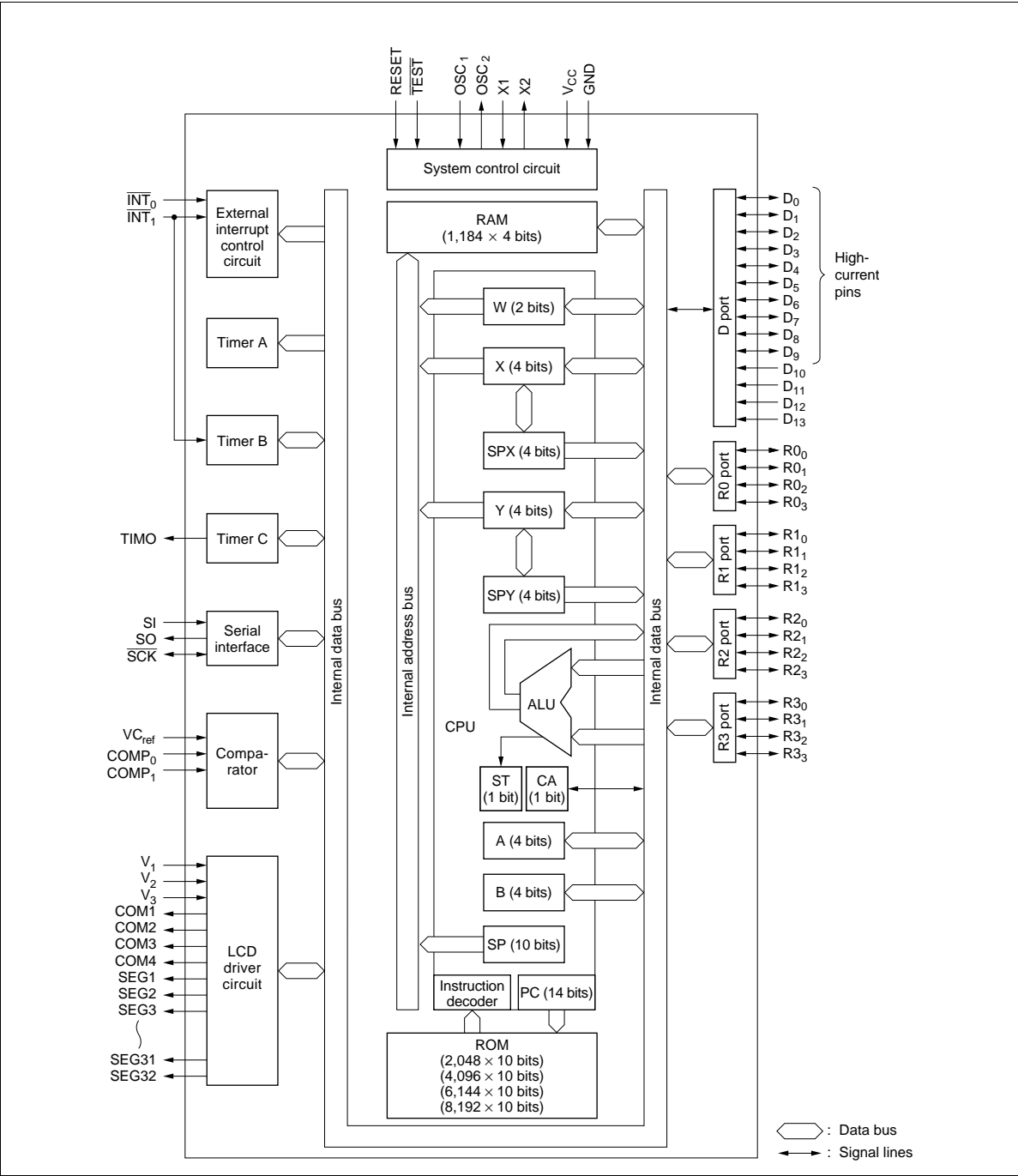
COM1 to COM4: Common signal output pins for the LCD display. See the Liquid Crystal Display section for details.

SEG1 to SEG32: Segment signals output pins for the LCD display. See the Liquid Crystal Display section for details.

Voltage Comparator

COMP₀, COMP₁, VC_{ref}: Analog input pins for the voltage comparator. VC_{ref} is used as a reference voltage pin to input the threshold voltage of the analog input pin.

Block Diagram



HD404818 Series

Memory Map

ROM Memory Map

The ROM is described in the following paragraphs with the ROM memory map in figure 1.

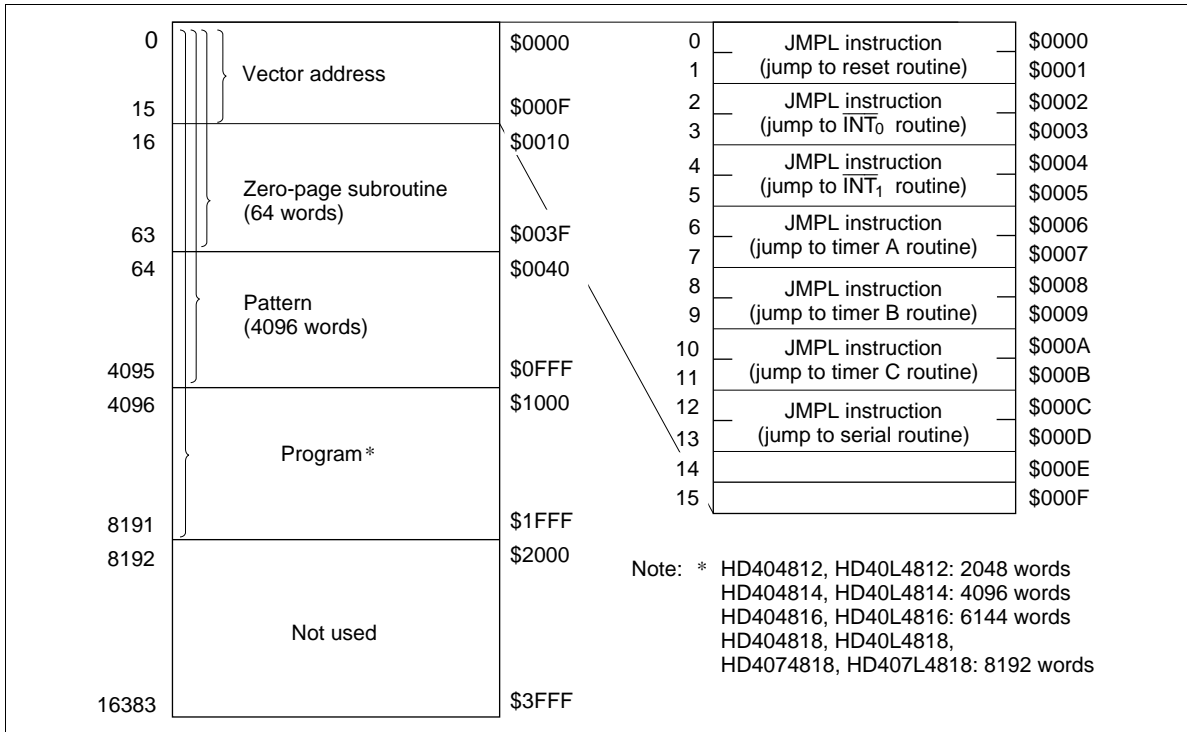


Figure 1 ROM Memory Map

Vector Address Area (\$0000 to \$000F): Locations \$0000 through \$000F are reserved for JMPL instructions to branch to the starting address of the initialization program and of the interrupt programs. After reset or an interrupt routine, the program is executed from the vector address.

Zero-Page Subroutine Area (\$0000 to \$003F): Locations \$0000 through \$003F are reserved for subroutines. The program sequence branches to subroutines by the CAL instruction.

Pattern Area (\$0000 to \$0FFF): Locations \$0000 through \$0FFF are reserved for ROM data. The P instruction allows the MCU to reference ROM data as a pattern.

Program Area (\$0000 to \$07FF: HD404812, HD40L4812; \$0000 to \$0FFF: HD404814, HD40L4814; \$0000 to \$17FF: HD404816, HD40L4816; \$0000 to \$1FFF: HD404818, HD40L4818, HD4074818, HD407L4818): Used for program coding.

RAM Memory Map

The MCU also contains a 1,184-digit \times 4-bit RAM as the data and stack area. In addition to these areas, interrupt control bits and special function registers are mapped on the RAM memory space. The RAM memory map (figure 2) is described in the following paragraphs.

Interrupt Control Bits Area (\$000 to \$003): The interrupt control bits area (figure 3) is used for interrupt control. It is accessible only by RAM bit manipulation instructions. However, the interrupt request flag cannot be set by software. The RSP bit is used only to reset the stack pointer.

Special Function Registers Area (\$004 to \$01F, \$024 to \$03F): The special function registers are the mode or data registers for the serial interface, timer/counters, LCD, and the data control registers for the I/O ports. These registers are classified into three types: write-only, read-only, and read/write as shown in figure 2.

The SEM/REM and SEMD/REMD instructions are available for the LCD control register (LCR).

Other registers cannot be accessed by RAM bit manipulation instructions.

Register Flag Area (\$020 to \$023): Consist of the LSON, WDON, TGSP, and DTON flags which are bit registers accessible by the RAM bit manipulation instruction.

The WDON flag can only be set, and only by the SEM/SEMD instruction.

The DTON flag can be set, reset, and tested by the SEM/SEMD, REM/REMD, and TMD instructions. Note that the DTON flag is active only in subactive mode, and is normally reset in active mode.

LCD Data Area (\$050 to \$06F): Locations \$050 to \$06F store the LCD data which is automatically transmitted to the segment driver as display data. The LCD is illuminated with 1s and faded with 0s. This area can be used as a data area.

Data Area (\$040 to \$2CF, \$100 to \$2CF; Bank 0/1): The 16 digits of \$040 through \$04F are called memory registers (MR) and are accessible by the LAMR and XMRA instructions (figure 4). 464 digits of \$100 through \$2CF are selected as bank 0 or 1 depending on the value of the V register.

Stack Area (\$3C0 to \$3FF): Locations \$3C0 through \$3FF are reserved for LIFO stacks to save the contents of the program counter (PC), status flag (ST), and carry flag (CA) when subroutine calls (CAL or CALL instruction) and interrupts are processed. This area can be used as a 16-level nesting stack in which one level requires 4 digits.

Figure 4 shows the save condition. The program counter is restored by the RTN and RTNI instructions. The status and carry flags are restored only by the RTNI instruction. This area, when not used as a stack, is available as a data area.

HD404818 Series

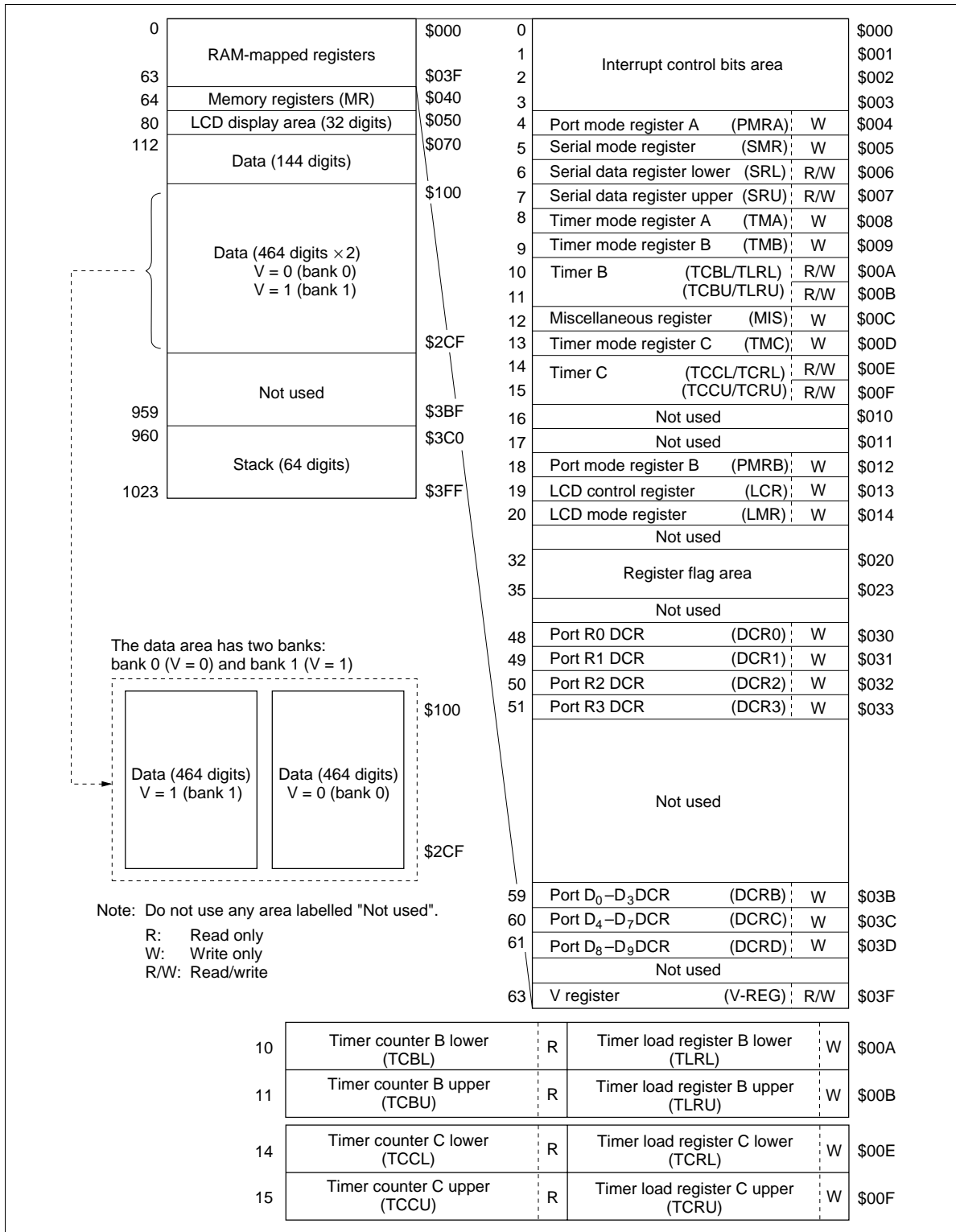


Figure 2 RAM Memory Map (1,184-digit x 4-bit)

| | Bit 3 | Bit 2 | Bit 1 | Bit 0 | |
|----|------------------------------------|------------------------------------|------------------------------------|------------------------------------|-------|
| 0 | IM0 (IM of $\overline{INT_0}$) | IF0 (IF of $\overline{INT_0}$) | RSP (Reset SP bit) | IE (Interrupt enable flag) | \$000 |
| 1 | IMTA (IM of timer A) | IFTA (IF of timer A) | IM1 (IM of $\overline{INT_1}$) | IF1 (IF of $\overline{INT_1}$) | \$001 |
| 2 | IMTC (IM of timer C) | IFTC (IF of timer C) | IMTB (IM of timer B) | IFTB (IF of timer B) | \$002 |
| 3 | Not used | Not used | IMS (IM of serial) | IFS (IF of serial) | \$003 |
| 32 | DTON Direct transfer on flag | Not used | WDON (Watchdog on flag) | LSON (Low speed on flag) | \$020 |
| | Not used | | | | \$021 |
| | | | | | \$023 |

IF: Interrupt request flag
IM: Interrupt mask
IE: Interrupt enable flag
SP: Stack pointer

Note: Bits in the interrupt control bits area and register flag area are set by the SEM or SEMD instruction, reset by the REM or REMD instruction, and tested by the TM or TMD instruction. Other instructions have no effect. However, note the following usage limitations of RAM bit manipulation instructions.

| | SEM/SEMD | REM/REMD | TM/TMD |
|------|-----------------------------|--------------|-----------|
| IF | Not executed | Allowed | Allowed |
| RSP | Not executed | Allowed | Inhibited |
| WDON | Allowed | Not executed | Inhibited |
| DTON | Not executed in active mode | Allowed | Allowed |
| | Used in subactive mode | | |

Note: WDON is reset only by MCU reset.
DTON is always reset in active mode.
If the TM or TMD instruction is executed for the inhibited bits or non-existing bits, the value in ST becomes invalid.

Figure 3 Configuration of Interrupt Control Bits and Register Flag Areas

HD404818 Series

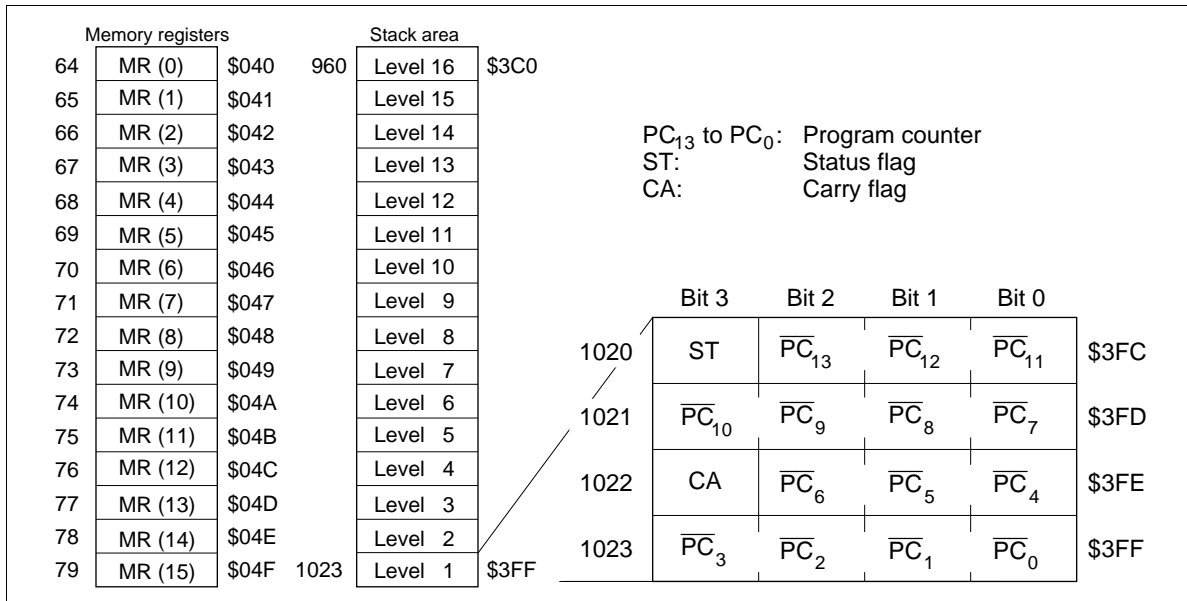


Figure 4 Configuration of Memory Registers, Stack Area, and Stack Position

Functional Description

Registers and Flags

The MCU provides ten registers and two flags for CPU operations. They are illustrated in figure 5 and described in the following paragraphs.

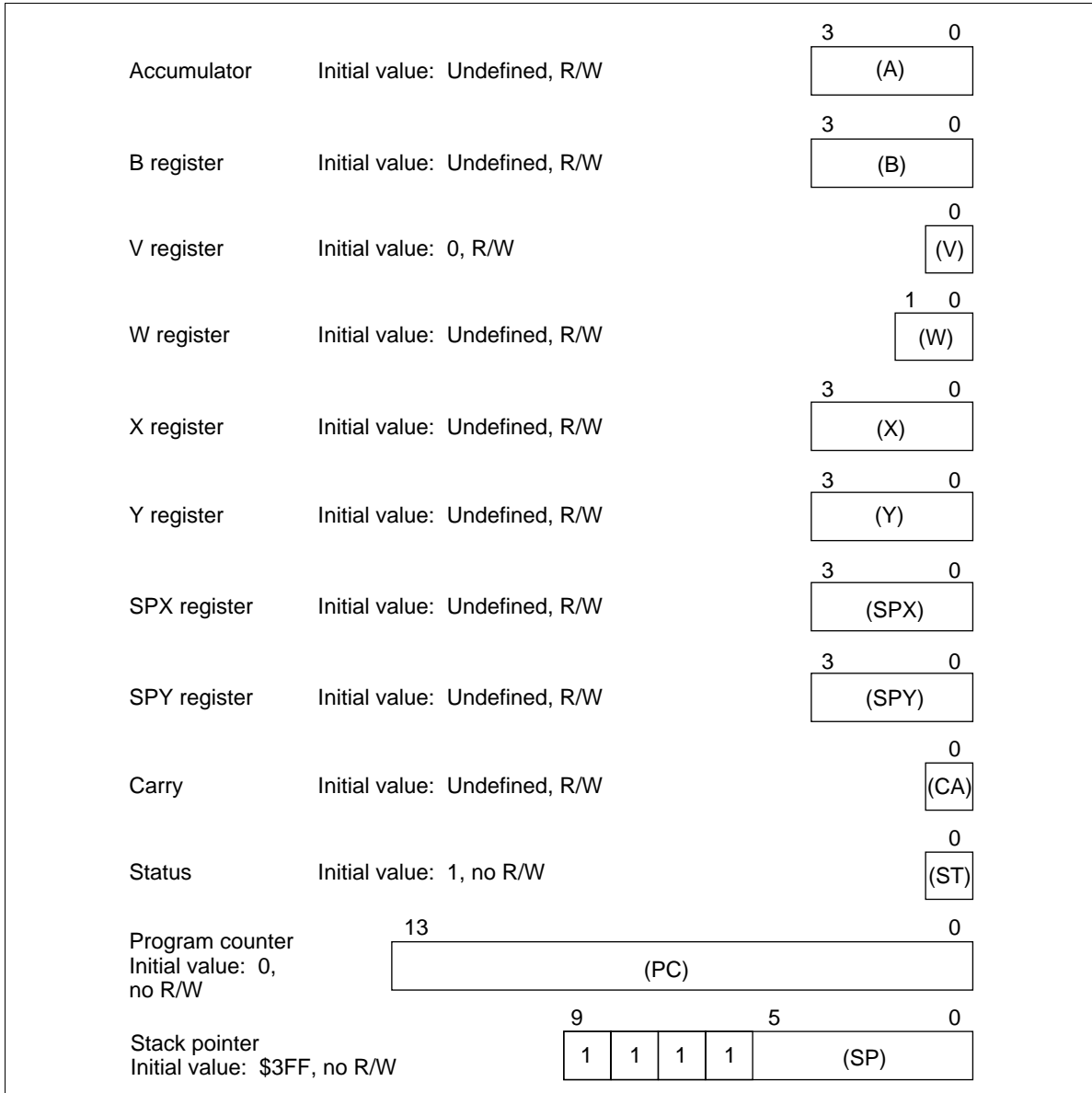


Figure 5 Registers and Flags

Accumulator (A), B Register (B): The accumulator and B register are 4-bit registers which hold the results of the arithmetic logic unit (ALU), and exchange data between memory, I/O, and other registers.

HD404818 Series

V Register (V): The V register, available for RAM address expansion, selects the bank of locations \$100–\$2CF on the RAM address (464 digits) depending on its value. Therefore, when accessing locations \$100–\$2CF on the RAM address, specify the value of the V register (V = \$0: bank 0; V = \$1: bank 1). Locations \$000–\$0FF and \$300–\$3FF can be accessed independently of the V register. The V register is located at \$03F of the RAM address area.

W Register (W), X Register (X), Y Register (Y): The 2-bit W register and 4-bit X and Y registers address RAM indirectly. The Y register is also available for addressing port D.

SPX Register (SPX), SPY Register (SPY): The 4-bit SPX and SPY registers are available for assisting the X and Y registers, respectively.

Carry Flag (CA): The carry flag holds the ALU overflow generated by an arithmetic operation. It is also affected by the SEC, REC, ROTL, and ROTR instructions. During an interrupt, the carry flag is pushed onto the stack and restored back from the stack by the RTNI instruction. (It is unaffected by the RTN instruction.)

Status Flag (ST): The status flag holds the ALU overflow, ALU non-zero, and the results of a bit test instruction for arithmetic or compare instructions. The status flag is a branch condition of the BR, BRL, CAL, or CALL instruction. The value of the status flag remains unchanged until an instruction which affects the next status is executed. The status flag becomes 1 after the BR, BRL, CAL, or CALL instruction is either executed or skipped. During an interrupt, the status flag is pushed onto the stack and restored back from the stack by the RTNI instruction, not by the RTN instruction.

Program Counter (PC): The program counter is a 14-bit binary counter for holding the ROM address.

Stack Pointer (SP): The stack pointer is a 10-bit register to indicate the next stacking area up to 16 levels. The stack pointer is initialized to RAM address \$3FF at MCU reset. It is decremented by 4 as data is pushed onto the stack, and incremented by 4 as data is restored back from the stack. The stack pointer is initialized to \$3FF either by MCU reset or by the RSP bit reset from the REM/REMD instruction.

Reset

Setting the RESET pin high resets the MCU. At power-on or when cancelling the stop mode for the oscillator, apply the reset input for at least t_{RC} for the oscillator to stabilize. In all other cases, at least two instruction cycles of reset input are required for the MCU reset.

Table 1 shows the components initialized by MCU reset, and each of its status.

Table 1 Initial Values after MCU Reset

| Items | Initial Value | Contents |
|----------------------------------|-----------------------------|---|
| Program counter (PC) | \$0000 | Execute program from the top of the ROM address |
| Status flag (ST) | 1 | Enable branching with conditional branch instructions |
| Stack pointer (SP) | \$3FF | Stack level is 0 |
| V register (bank register) (V) | 0 | Bank 0 (memory) |
| Interrupt flags/mask | Interrupt enable flag (IE) | 0 Inhibit all interrupts |
| | Interrupt request flag (IF) | 0 No interrupt request |
| | Interrupt mask (IM) | 1 Masks interrupt request |
| I/O | Port data register (PDR) | All bits are 1 Enable to transmit high |
| | Data control register (DCR) | All bits are 0 Output buffer is off (high impedance) |
| | Port mode register A (PMRA) | 0000 See Port Mode Register A section |
| | Port mode register B (PMRB) | 0000 See Port Mode Register B section |
| Timer/counters, serial interface | Timer mode register A (TMA) | 0000 See Timer Mode Register A section |
| | Timer mode register B (TMB) | 0000 See Timer Mode Register B section |
| | Timer mode register C (TMC) | 0000 See Timer Mode Register C section |
| | Serial mode register (SMR) | 0000 See Serial Mode Register section |
| | Prescaler S | \$000 |
| | Prescaler W | \$00 |
| | Timer counter A (TCA) | \$00 |
| | Timer counter B (TCB) | \$00 |
| | Timer counter C (TCC) | \$00 |
| | Timer load register B (TLR) | \$00 |
| | Timer load register C (TCR) | \$00 |
| Octal counter | 000 | |

HD404818 Series

Table 1 Initial Values after MCU Reset (cont)

| Items | | Initial Value | Contents |
|------------------------|--------------------------------|---------------|--|
| LCD | LCD control register (LCR) | 000 | Refer to description of LCD Control Register |
| | LCD mode register (LMR) | 0000 | Refer to description of LCD Duty/Clock Control |
| Bit register | Low speed on flag (LSON) | 0 | Refer to description of Low-Power Dissipation Mode |
| | Watchdog timer on flag (WDON) | 0 | Refer to description of Timer C |
| | Direct transfer on flag (DTON) | 0 | Refer to description of Low-Power Dissipation Mode |
| Miscellaneous register | (MIS) | 000 | — |

| Item | After MCU Reset to Recover from Stop Mode | After MCU Reset to Recover from Other Modes |
|---------------------------|--|--|
| Carry flag (CA) | The contents of the items before MCU reset are not retained. It is necessary to initialize them by software. | The contents of the items before MCU reset are not retained. It is necessary to initialize them by software. |
| Accumulator (A) | | |
| B register (B) | | |
| W register (W) | | |
| X/SPX registers (X/SPX) | | |
| Y/SPY registers (Y/SPY) | | |
| Serial data register (SR) | | |
| RAM | The contents of RAM before MCU reset (just before STOP instruction) are retained. | |

Interrupts

Six interrupt sources are available on the MCU: external requests (\overline{INT}_0 , \overline{INT}_1), timer/counters (timers A, B, and C), and the serial interface. For each source, an interrupt request flag (IF), interrupt mask (IM), and interrupt vector addresses are provided to control and maintain the interrupt request. The interrupt enable flag (IE) is also used to control interrupt operations.

Interrupt Control Bits and Interrupt Servicing: The interrupt control bits are mapped on \$000 through \$003 by the RAM space. They are accessible by RAM bit manipulations instructions, although the interrupt request flag (IF) cannot be set by software. The interrupt enable flag (IE) and IF are cleared to 0, and the interrupt mask (IM) is set to 1 after MCU reset.

Figure 6 is a block diagram of the interrupt control circuit. Table 2 shows the interrupt priority and vector addresses, and table 3 shows the interrupt conditions corresponding to each interrupt source.

The interrupt request is generated when IF is set to 1 and IM is 0. If IE is 1 at this time, the interrupt will be activated and vector addresses will be generated from the priority PLA corresponding to the interrupt sources.

HD404818 Series

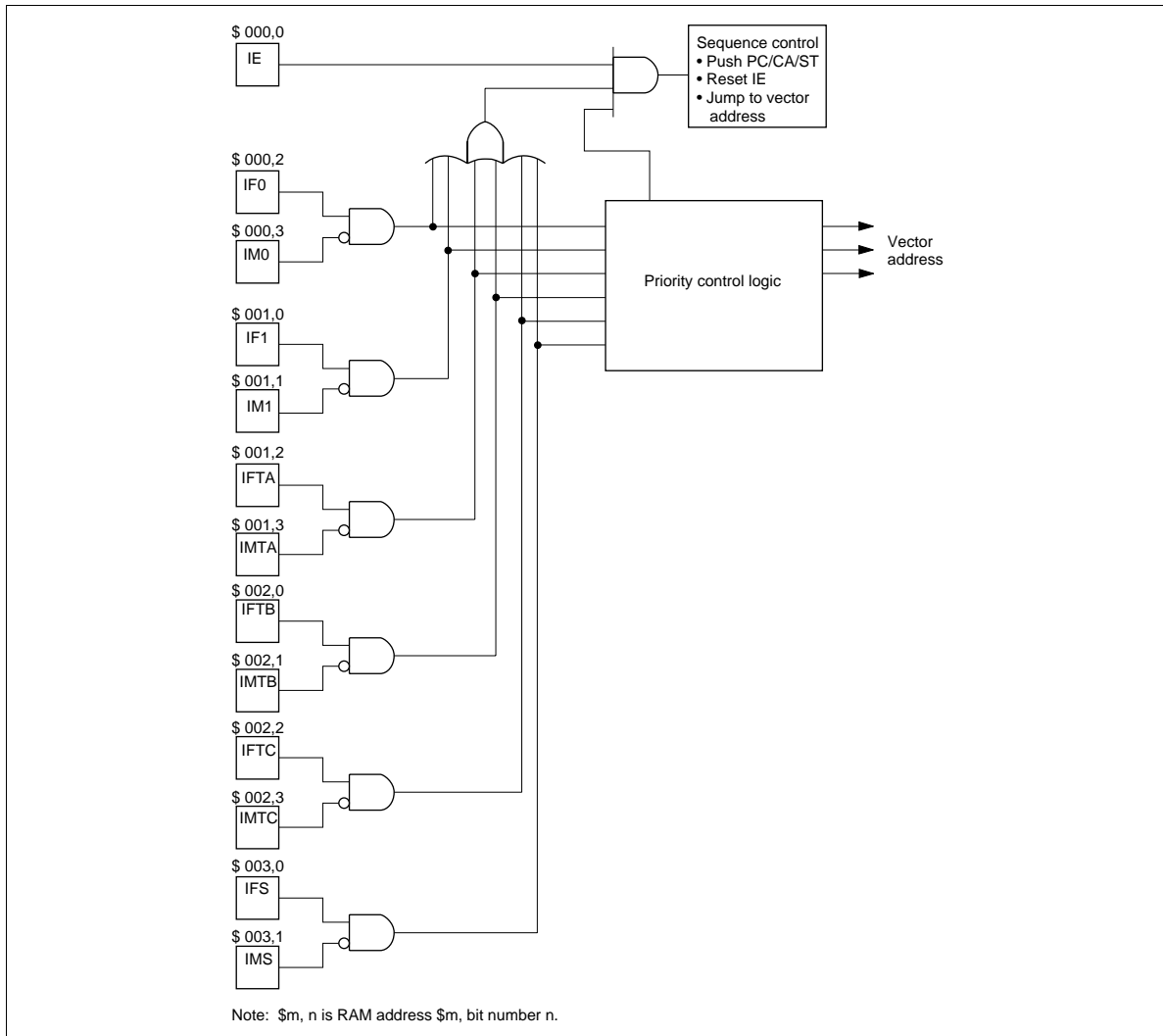


Figure 6 Interrupt Control Circuit Block Diagram

Table 2 Vector Addresses and Interrupt Priority

| Reset/Interrupt | Priority | Vector Addresses |
|--------------------|----------|------------------|
| RESET | — | \$0000 |
| \overline{INT}_0 | 1 | \$0002 |
| \overline{INT}_1 | 2 | \$0004 |
| Timer A | 3 | \$0006 |
| Timer B | 4 | \$0008 |
| Timer C | 5 | \$000A |
| Serial | 6 | \$000C |

Table 3 Interrupt Conditions

| Interrupt Control Bit | Interrupt Source | | | | | |
|--------------------------|--------------------|--------------------|---------|---------|---------|--------|
| | \overline{INT}_0 | \overline{INT}_1 | Timer A | Timer B | Timer C | Serial |
| IE | 1 | 1 | 1 | 1 | 1 | 1 |
| IF0 • $\overline{IM0}$ | 1 | 0 | 0 | 0 | 0 | 0 |
| IF1 • $\overline{IM1}$ | * | 1 | 0 | 0 | 0 | 0 |
| IFTA • \overline{IMTA} | * | * | 1 | 0 | 0 | 0 |
| IFTB • \overline{IMTB} | * | * | * | 1 | 0 | 0 |
| IFTC • \overline{IMTC} | * | * | * | * | 1 | 0 |
| IFS • \overline{IMS} | * | * | * | * | * | 1 |

Note: *Don't care.

Figure 7 shows the interrupt processing sequence, and figure 8 shows the interrupt processing flowchart. If an interrupt is requested, the instruction being executed finishes in the first cycle. The IE is reset in the second cycle. In the second and third cycles, the carry flag, status flag, and program counter are pushed onto the stack. In the third cycle, the instruction is executed after jumping to the vector address.

In each vector address, program the JMPL instruction to branch to the starting address of the interrupt program. The IF, which caused the interrupt, must be reset by software in the interrupt program.

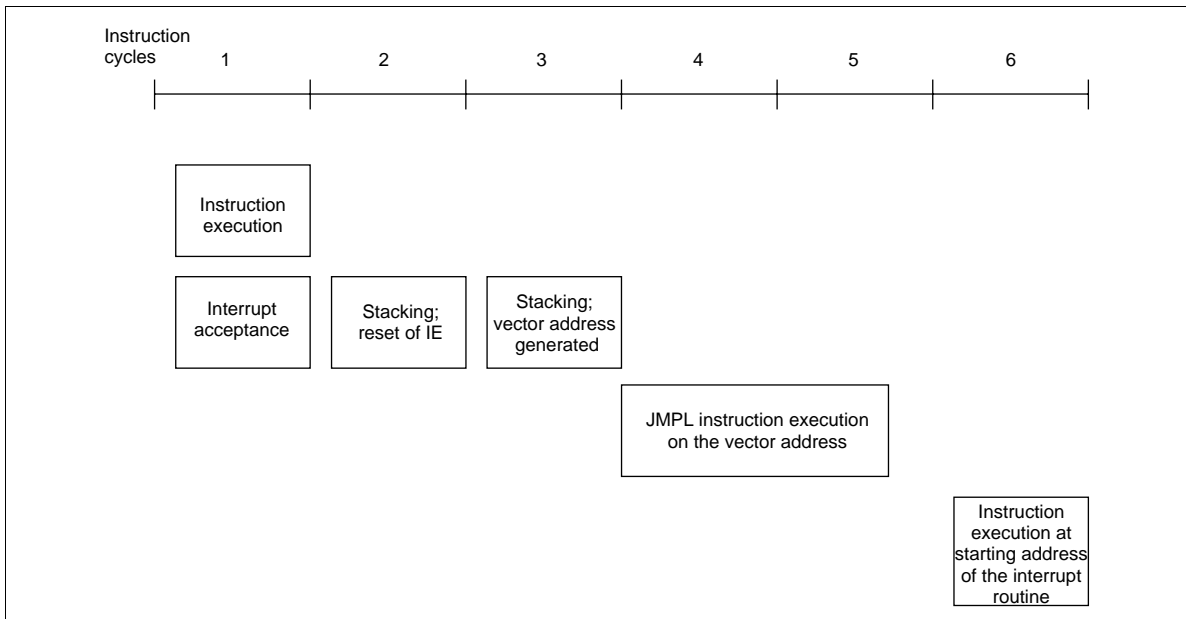


Figure 7 Interrupt Processing Sequence

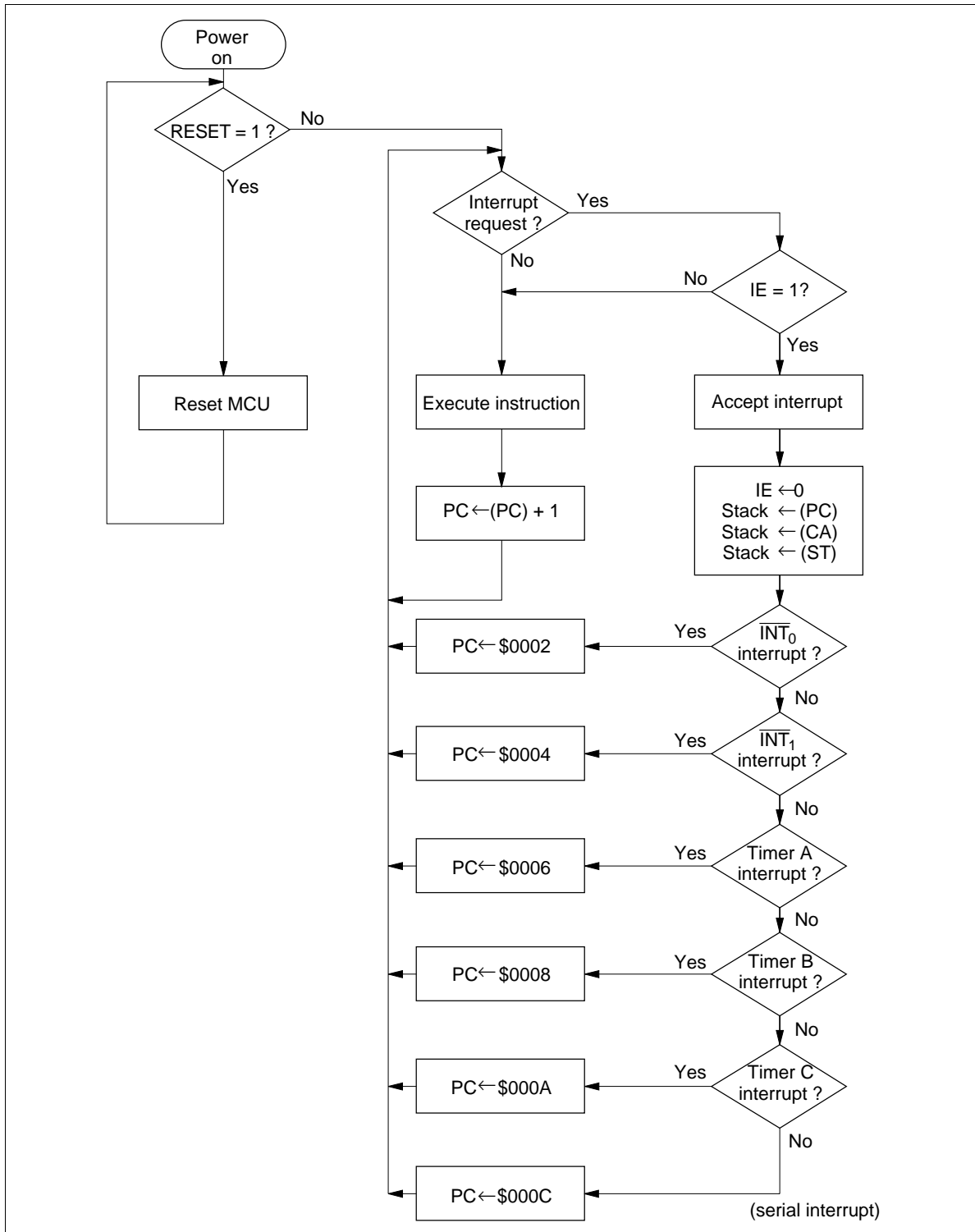


Figure 8 Interrupt Processing Flowchart

Interrupt Enable Flag (IE: \$000, Bit 0): The interrupt enable flag enables/disables interrupt requests (table 4). It is reset by an interrupt and set by the RTNI instruction.

Table 4 Interrupt Enable Flag

| IE | Interrupt Enabled/Disabled |
|----|----------------------------|
| 0 | Disabled |
| 1 | Enabled |

External Interrupts (\overline{INT}_0 , \overline{INT}_1): The external interrupt request inputs (\overline{INT}_0 , \overline{INT}_1) can be selected by port mode register A (PMRA: \$004).

The external interrupt request flags (IF0, IF1) are set at the falling edge of \overline{INT}_0 and \overline{INT}_1 inputs, respectively (table 5).

The \overline{INT}_1 input can be used as a clock signal input to timer B, in which timer B counts up at each falling edge of the \overline{INT}_1 input. When using \overline{INT}_1 as the timer B external event input, the external interrupt mask (IM1) has to be set so that the interrupt request by \overline{INT}_1 will not be accepted (table 6).

More than two instruction cycle times ($2t_{cyc}/2t_{subcyc}$) are needed to detect the edge of \overline{INT}_0 or \overline{INT}_1 .

External Interrupt Request Flags (IF0: \$000, Bit 2; IF1: \$001, Bit 0): The external interrupt request flags (IF0, IF1) are set at the falling edge of the \overline{INT}_0 and \overline{INT}_1 inputs, respectively (table 5).

Table 5 External Interrupt Request Flags

| IF0, IF1 | Interrupt Request |
|----------|-------------------|
| 0 | No |
| 1 | Yes |

External Interrupt Masks (IM0: \$000, Bit 3; IM1: \$001, Bit 1): The external interrupt masks mask the external interrupt requests (table 6).

Table 6 External Interrupt Masks

| IM0, IM1 | Interrupt Request |
|----------|-------------------|
| 0 | Enabled |
| 1 | Disabled (masked) |

Timer A Interrupt Request Flag (IFTA: \$001, Bit 2): The timer A interrupt request flag is set by the overflow output of timer A (table 7).

HD404818 Series

Table 7 Timer A Interrupt Request Flag

| IFTA | Interrupt Request |
|------|-------------------|
| 0 | No |
| 1 | Yes |

Timer A Interrupt Mask (IMTA: \$001, Bit 3): The timer A interrupt mask prevents an interrupt request from being generated by the timer A interrupt request flag (table 8).

Table 8 Timer A Interrupt Mask

| IMTA | Interrupt Request |
|------|-------------------|
| 0 | Enabled |
| 1 | Disabled (masked) |

Timer B Interrupt Request Flag (IFTB: \$002, Bit 0): The timer B interrupt request flag is set by the overflow output of timer B (table 9).

Table 9 Timer B Interrupt Request Flag

| IFTB | Interrupt Request |
|------|-------------------|
| 0 | No |
| 1 | Yes |

Timer B Interrupt Mask (IMTB: \$002, Bit 1): The timer B interrupt mask prevents an interrupt request from being generated by the timer B interrupt request flag (table 10).

Table 10 Timer B Interrupt Mask

| IMTB | Interrupt Request |
|------|-------------------|
| 0 | Enabled |
| 1 | Disabled (masked) |

Timer C Interrupt Request Flag (IFTC: \$002, Bit 2): The timer C interrupt request flag is set by the overflow output of timer C (table 11).

Table 11 Timer C Interrupt Request Flag

| IFTC | Interrupt Request |
|------|-------------------|
| 0 | No |
| 1 | Yes |

Timer C Interrupt Mask (IMTC: \$002, Bit 3): The timer C interrupt mask prevents the interrupt from being generated by the timer C interrupt request flag (table 12).

Table 12 Timer C Interrupt Mask

| IMTC | Interrupt Request |
|-------------|--------------------------|
| 0 | Enabled |
| 1 | Disabled (masked) |

Serial Interrupt Request Flag (IFS: \$003, Bit 0): The serial interrupt request flag is set when the octal counter counts eight transmit clock signals, or when data transfer is discontinued by resetting the octal counter (table 13).

Table 13 Serial Interrupt Request Flag

| IFS | Interrupt Request |
|------------|--------------------------|
| 0 | No |
| 1 | Yes |

Serial Interrupt Mask (IMS: \$003, Bit 1): The serial interrupt mask masks the interrupt request (table 14).

Table 14 Serial Interrupt Mask

| IMS | Interrupt Request |
|------------|--------------------------|
| 0 | Enabled |
| 1 | Disabled (masked) |

HD404818 Series

Operating Modes

The MCU has five operating modes that are specified by how the clock is used. The functions available in each mode are listed in table 15, and operations are shown in table 16. Transitions between operating modes are shown in figure 9.

Table 16 provides additional information for table 26.

Table 15 Functions Available in Each Operating Mode

| | | Mode Name | | | | |
|---------------------|--|---------------------------------------|--------------------------------|------------------------------|---|--|
| | | Active | Standby | Stop | Watch | Subactive* ⁴ |
| Activation method | | RESET cancellation, interrupt request | SBY instruction | TMA3 = 0, STOP instruction | TMA3 = 1, STOP instruction | $\overline{\text{INT}}_0$ or timer A interrupt request from watch mode |
| Status | System oscillator | OP | OP | Stopped | Stopped | Stopped |
| | Subsystem oscillator | OP | OP | OP * ¹ | OP | OP |
| | Instruction execution (ϕ_{CPU}) | OP | Stopped | Stopped | Stopped | OP |
| | Peripheral function, interrupt (ϕ_{PER}) | OP | OP | Stopped | Stopped | OP |
| | Clock function, interrupt (ϕ_{CLK}) | OP | OP | Stopped | OP * ² | OP * ² |
| | RAM | OP | Retained | Retained | Retained | OP |
| | Registers/flags | OP | Retained | Reset | Retained | OP |
| | I/O | OP | Retained | High impedance* ³ | Retained* ³ | OP * ³ |
| Cancellation method | | RESET input, STOP/SBY instruction | RESET input, interrupt request | RESET input | RESET input, $\overline{\text{INT}}_0$ or timer A interrupt request | RESET input, STOP/SBY instruction |

Notes: OP indicates operating.

1. To reduce current dissipation, stop all oscillation in external circuits.
2. Refer to the Interrupt Frame section for details.
3. Refer to interrupt frame.
4. Subactive mode is an optional function to be specified on the function option list.
5. In the watch and subactive modes, the MCU requires a 32.768-kHz crystal oscillator.

Table 16 Operations in Low-Power Dissipation Modes

| Function | Stop Mode | Watch Mode | Standby Mode | Subactive Mode* ² |
|------------------|---------------------|-----------------------|--------------|------------------------------|
| CPU | Reset | Retained | Retained | OP |
| RAM | Retained | Retained | Retained | OP |
| Timer A | Reset | OP | OP | OP |
| Timer B | Reset | Stopped | OP | OP |
| Timer C | Reset | Stopped | OP | OP |
| Serial interface | Reset | Stopped* ³ | OP | OP |
| LCD | Reset | OP | OP | OP |
| I/O | Reset* ¹ | Retained | Retained | OP |

Notes: OP indicates operating.

1. Output pins are at high impedance.
2. Subactive mode is an optional function to be specified on the function option list.
3. Transmission/reception is activated if a clock is input in external clock mode. (However, interrupts are stopped.)

Table 17 I/O Status in Low-Power Dissipation Modes

| | Output | | Input |
|----------------------------------|--------------------------|----------------|-----------------------------|
| | Standby Mode, Watch Mode | Stop Mode | Active Mode, Subactive Mode |
| D ₀ –D ₉ | Retained | High impedance | Input enabled |
| D ₁₀ –D ₁₃ | — | — | Input enabled |
| R0–R3 | Retained | High impedance | Input enabled |

| | | System Clock (ϕ_{CPU}) | |
|--|-----------|-------------------------------|---|
| | | Operating | Stopped |
| Non-time-base peripheral function clock (ϕ_{PER}) | Operating | Active mode Subactive mode | Standby mode |
| | Stopped | — | Watch mode (TMA3 = 1) Stop mode (TMA3 = 0) |

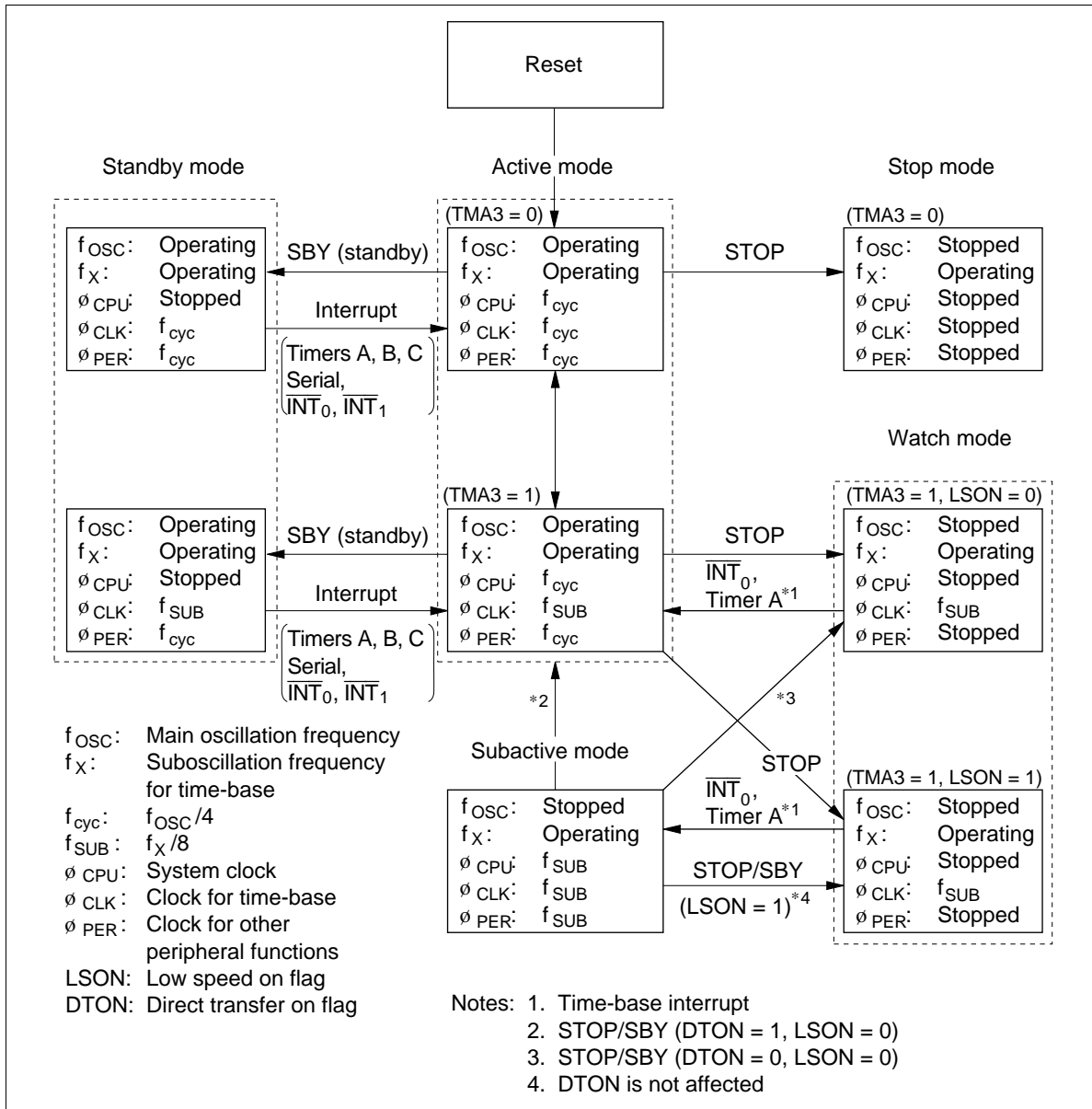


Figure 9 MCU Status Transitions

Active Mode: The MCU operates according to the clock generated by the system oscillators OSC_1 and OSC_2 .

Standby Mode: The MCU enters standby mode when the SBY instruction is executed from active mode. In this mode, the oscillators, interrupts, timer/counters, and serial interface continue to operate, but all instruction execution-related clocks stop. The stopping of these clocks stops the CPU, retaining all RAM and register contents and maintaining the current I/O pin status.

Standby mode is terminated by a RESET input or an interrupt request. If it is terminated by a RESET input, the MCU is reset as well. After an interrupt request, the MCU enters active mode and resumes, executing

the next instruction after the SBY instruction. If the interrupt enable flag is 1, that interrupt is then processed; if it is 0, the interrupt request is left pending and normal instruction execution continues. A flowchart of operation in standby mode is shown in figure 10.

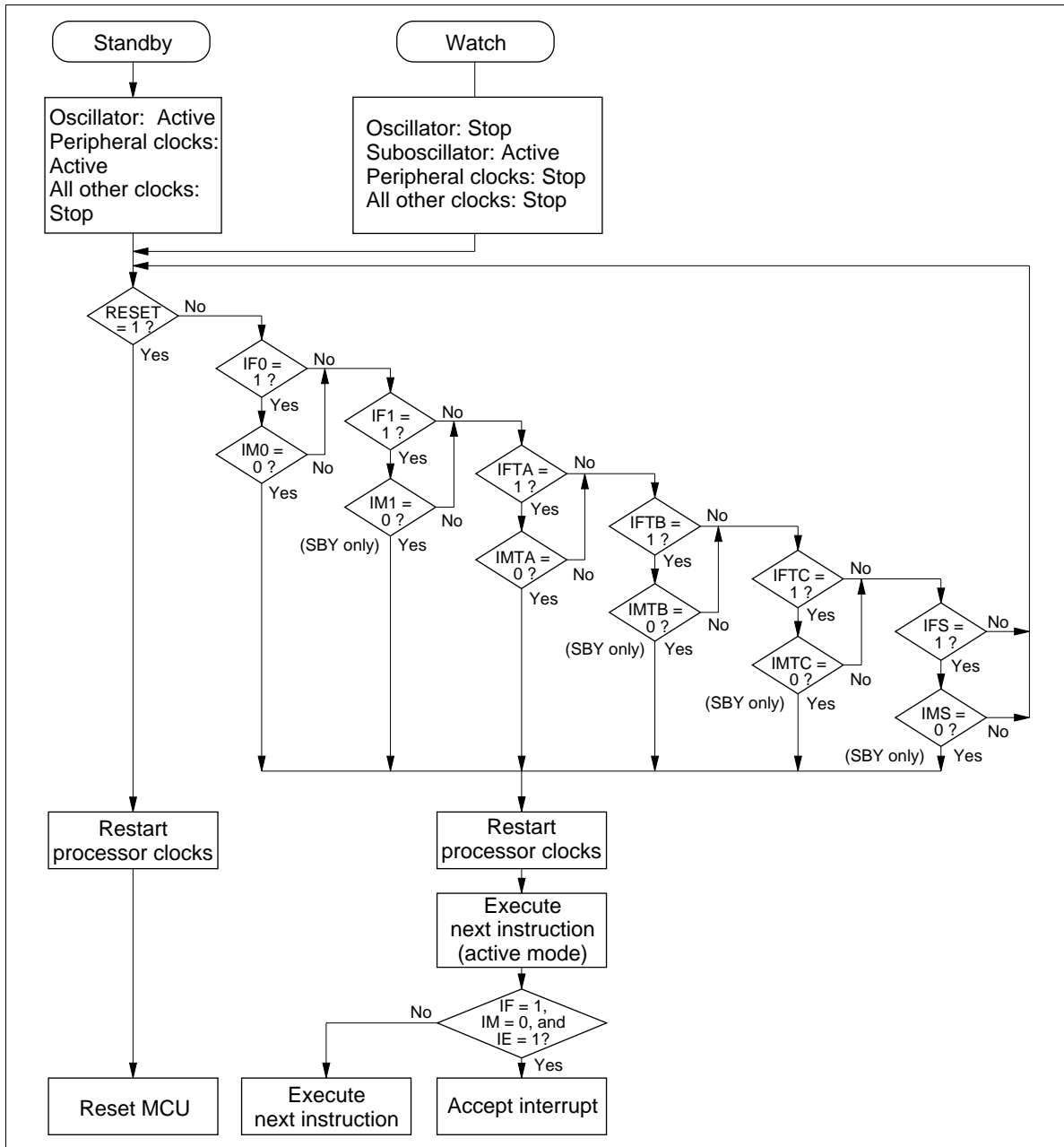


Figure 10 MCU Operating Flowchart of Watch and Standby Modes

HD404818 Series

Stop Mode: The MCU enters stop mode if the STOP instruction is executed in active mode when TMA3 = 0. In this mode, the system oscillator stops, which stops all MCU functions as well.

Stop mode is terminated by a RESET input as shown in figure 11. RESET must be high for at least one t_{RC} to stabilize oscillation (refer to the AC Characteristics section). When the MCU restarts after stop mode is cancelled, all RAM contents are retained, but the accuracy of the contents of the accumulator, B register, W register, X/SPX register, Y/SPY register, carry flag, and serial data register cannot be guaranteed.

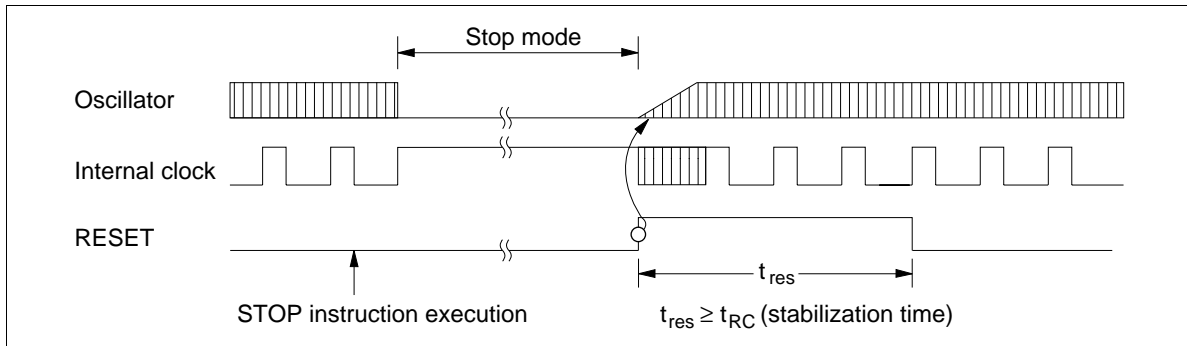


Figure 11 Timing of Stop Mode Cancellation

Watch Mode: The MCU enters watch mode if the STOP instruction is executed in active mode when TMA3 = 1, or if the STOP or SBY instruction is executed in subactive mode.

Watch mode is terminated by a RESET input or a timer-A/ \overline{INT}_0 interrupt request. For details on RESET input, refer to the Stop Mode section. When terminated by a timer-A/ \overline{INT}_0 interrupt request, the MCU enters active mode if LSON is 0, or subactive mode if LSON is 1. After an interrupt request is generated, the time required to enter active mode is t_{RC} for a timer A interrupt, and T_x (where $T + t_{RC} \leq T_x \leq 2T + t_{RC}$) for an \overline{INT}_0 interrupt, as shown in figure 12.

Operation during mode transition is the same as that at standby mode cancellation (figure 10).

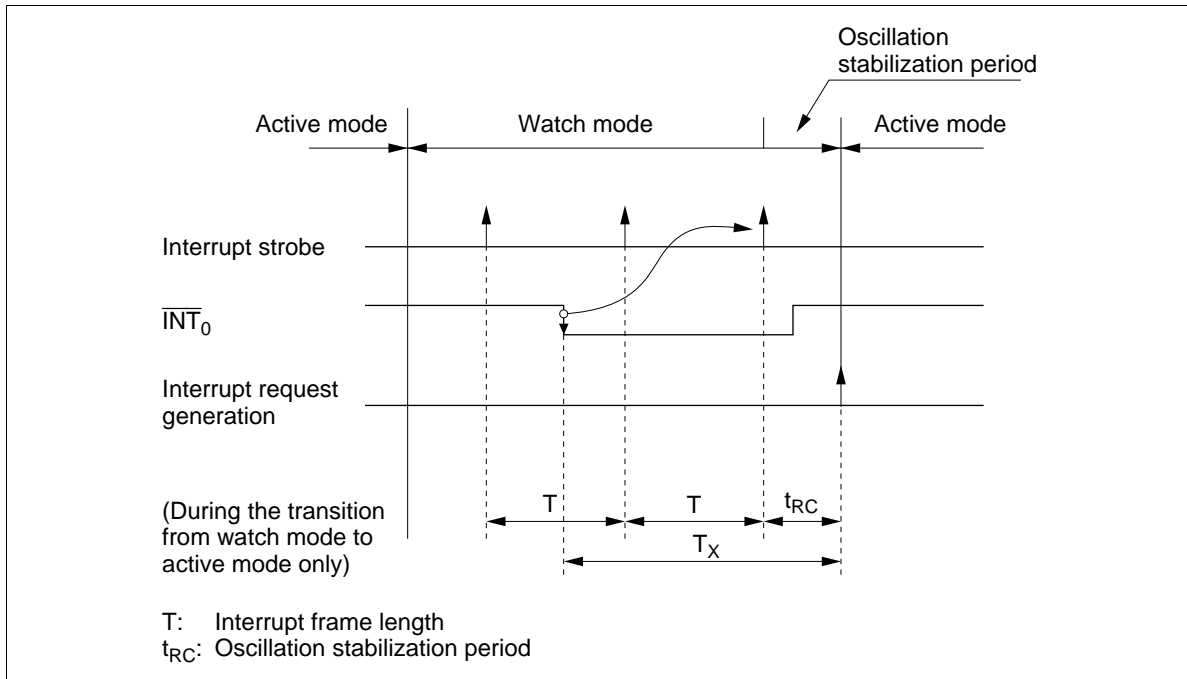


Figure 12 Interrupt Frame

Subactive Mode: The CPU operates with a clock generated by the X1 and X2 oscillation circuits. Functions that can operate in subactive mode are listed in table 16. When the STOP or SBY instruction is executed in subactive mode, the MCU enters either watch or active mode, depending on the statuses of LSON and DTON. The DTON flag can only be set in subactive mode; it is automatically reset after a transition to active mode.

Subactive mode is an optional function that the user must specify on the function option list.

Interrupt Frame: In watch and subactive modes, ϕ_{CLK} is supplied for timer A and the \overline{INT}_0 circuit. Prescaler W and timer A operate as time bases to generate interrupt frame timing. Three interrupt frame cycles (T) can be selected by the settings of the miscellaneous register, as shown in figure 13.

In watch and subactive modes, timer A and \overline{INT}_0 interrupts are generated in synchronism with the interrupt frame. An interrupt request is generated at an interrupt strobe, except when the MCU enters active mode from watch mode. The \overline{INT}_0 falling edge is acknowledged regardless of the interrupt frame, but an interrupt is executed simultaneously with the second interrupt strobe. Timer A generates an overflow and interrupt request at an interrupt strobe.

HD404818 Series

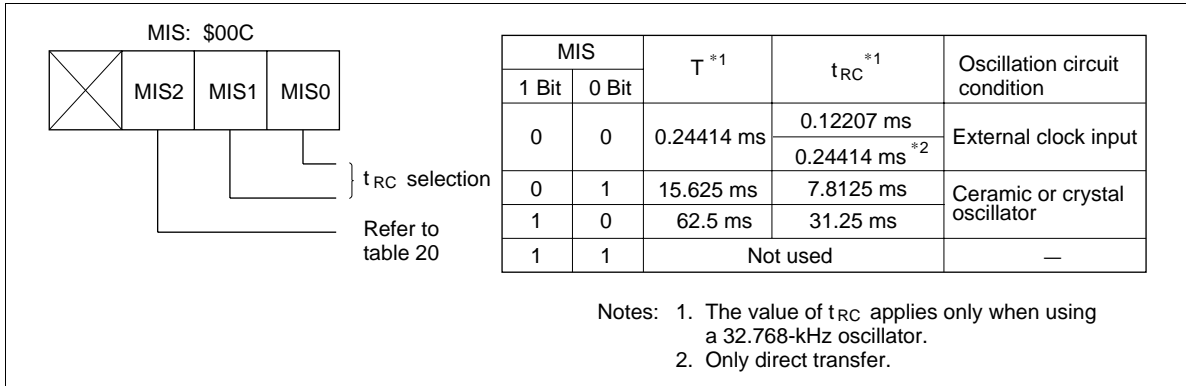


Figure 13 Miscellaneous Register

Direct Transfer: By controlling the DTON, the MCU can be placed directly from subactive to active mode. The detailed procedure is as follows:

- Set the DTON flag in subactive mode while LSON = 0.
- Execute the STOP or SBY instruction.
- After the oscillation stabilization time (a fixed value), the MCU will move automatically from subactive to active mode.

Note that DTON (\$020, bit 3) is valid only in subactive mode. When the MCU is in active mode, this flag is always at reset.

The transition time (t_D) from subactive to active mode is $t_{RC} < t_D < T + t_{RC}$.

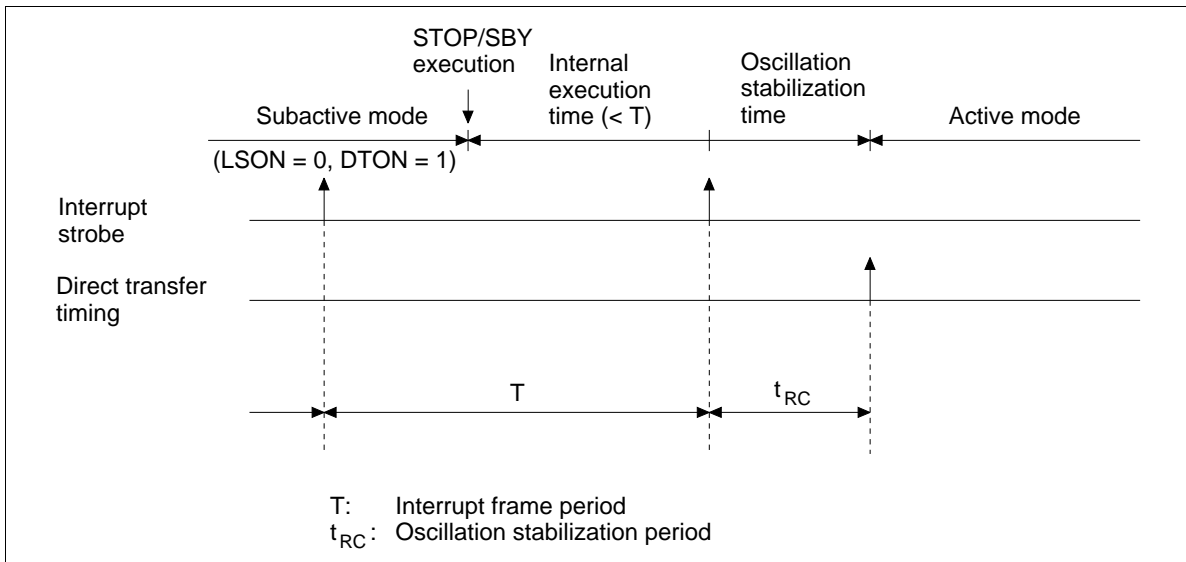


Figure 14 Direct Transfer Timing

MCU Operating Sequence: The MCU operates in the sequence shown in figures 15 to 17. It is reset by an asynchronous RESET input, regardless of its state.

The low-power mode operation sequence is shown in figure 17. With the IE flag cleared and an interrupt flag set together with its interrupt mask cleared, if a STOP/SBY instruction is executed, the instruction is cancelled (regarded as an NOP) and the following instruction is executed. Before executing a STOP/SBY instruction, make sure all interrupt flags are cleared or all interrupts are masked.

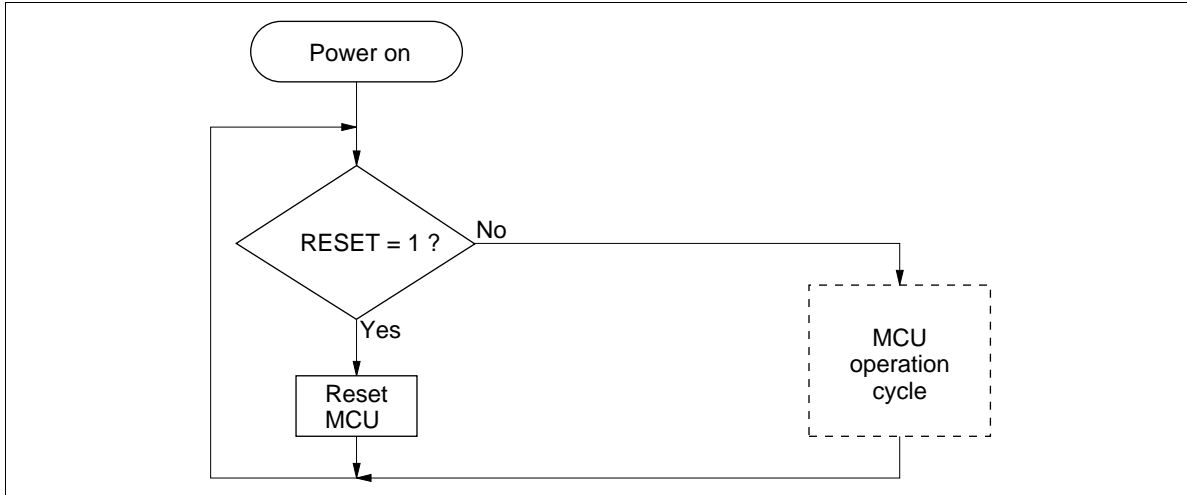


Figure 15 MCU Operating Sequence (power on)

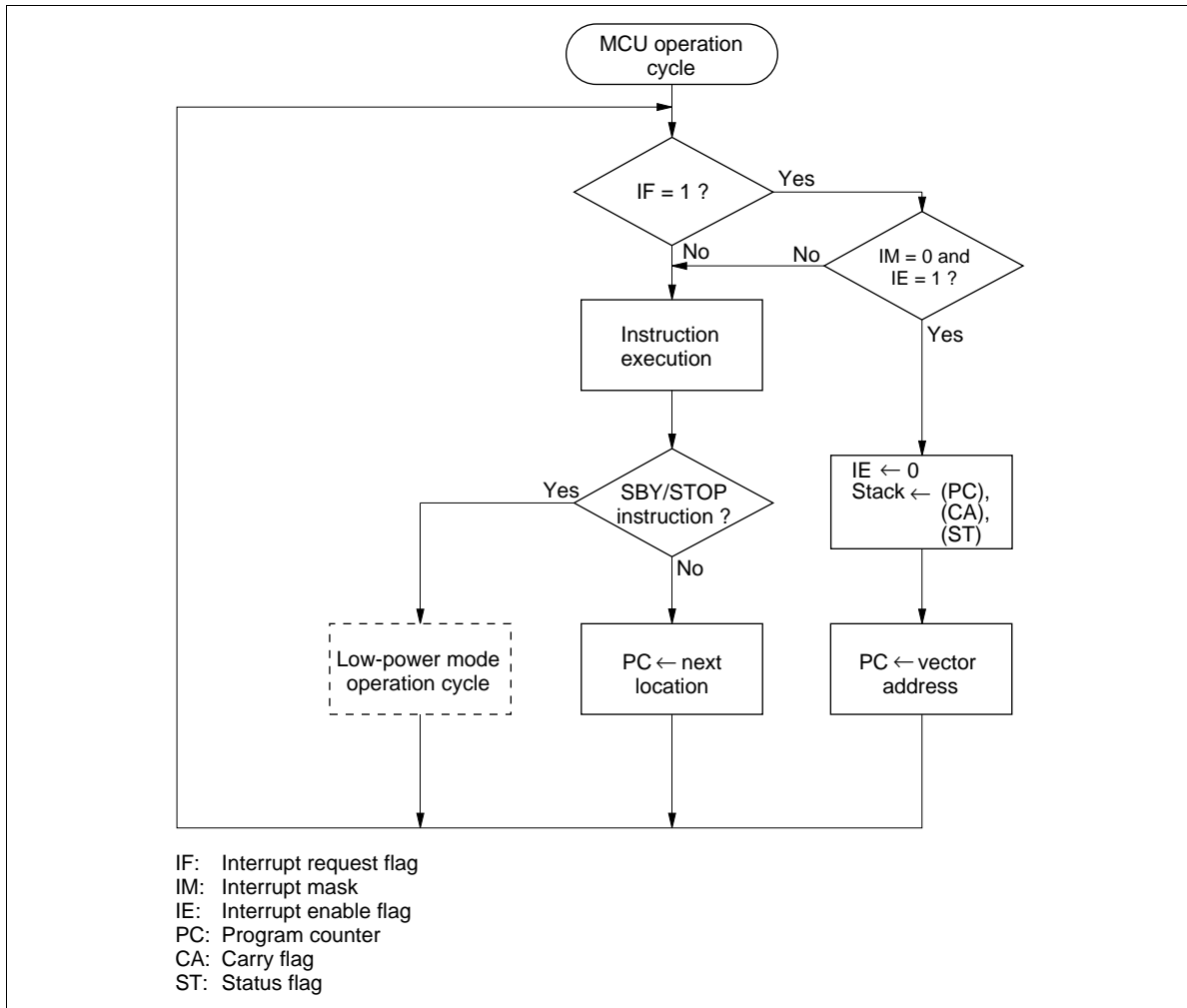


Figure 16 MCU Operating Sequence (MCU operation cycle)

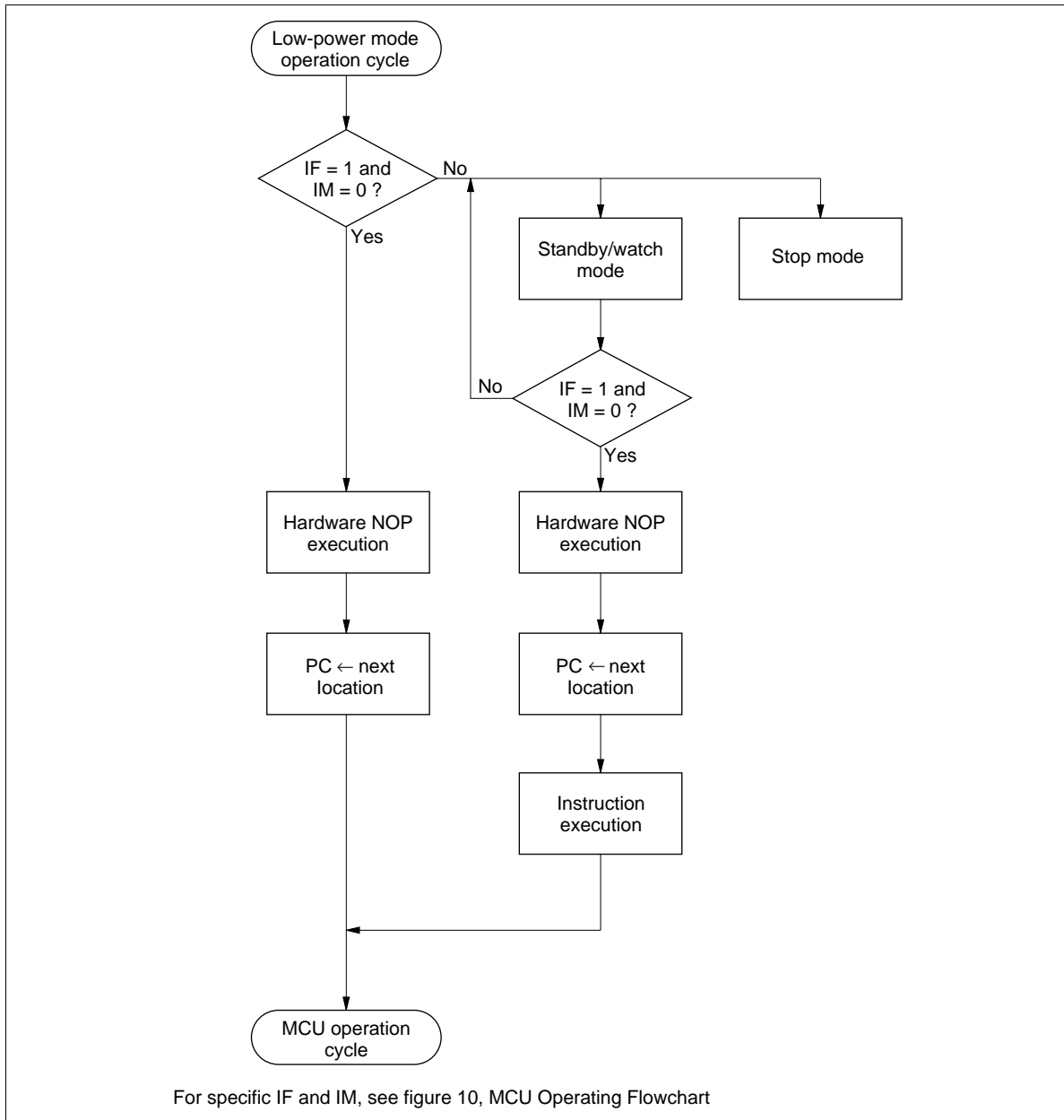


Figure 17 MCU Operating Sequence (low-power mode operation)

Notes on Use:

- In subactive mode, a timer A interrupt request or an external interrupt request (\overline{INT}_0) occurs in synchronism with an interrupt strobe.
 If the STOP or SBY instruction is executed at the same time with an interrupt strobe, these interrupt requests will be cancelled and the corresponding interrupt request flags (IFTA, IF0) will not be set.
 In subactive mode, do not use the STOP or SBY instruction at the time of an interrupt strobe.

HD404818 Series

- When the MCU is in watch mode or subactive mode, if the high level period before the falling edge of \overline{INT}_0 is shorter than the interrupt frame, \overline{INT}_0 is not detected. Also, if the low level period after the falling edge of \overline{INT}_0 is shorter than the interrupt frame, \overline{INT}_0 is not detected.

Edge detection is shown in figure 18. The level of the \overline{INT}_0 signal is sampled by a sampling clock. When this sampled value changes to low from high, a falling edge is detected.

In figure 19, the level of the \overline{INT}_0 signal is sampled by an interrupt frame. In (a) the sampled value is low at point A, and also low at point B. Therefore, a falling edge is not detected. In (b), the sampled value is high at point A, and also high at point B. A falling edge is not detected in this case either.

When the MCU is in watch mode or subactive mode, keep the high level and low level period of \overline{INT}_0 longer than the interrupt frame.

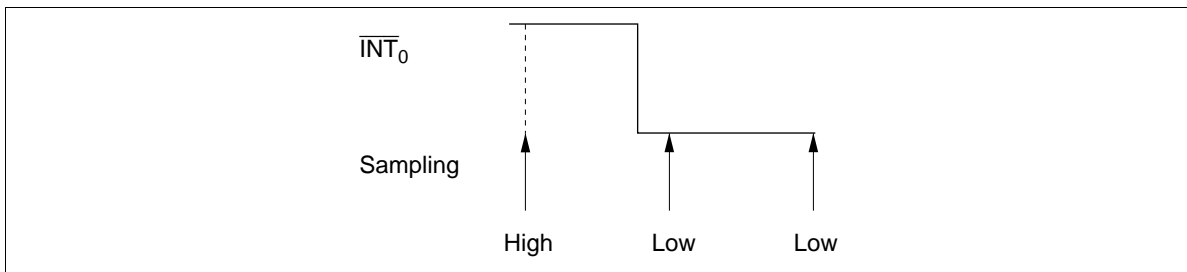


Figure 18 Edge Detection

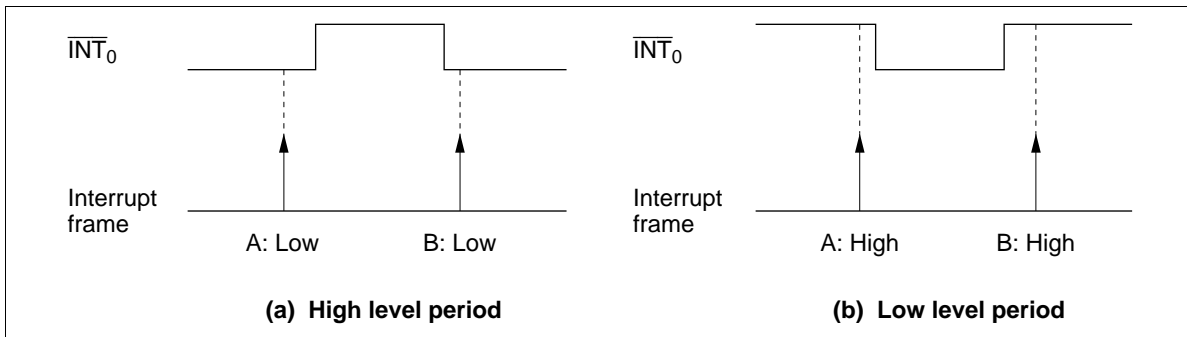


Figure 19 Sampling Example

Internal Oscillator Circuit

Figure 20 shows the block diagram of the internal oscillator circuit. A ceramic oscillator can be connected to OSC₁ and OSC₂. A 32.768-kHz crystal oscillator can be connected to X1 and X2. External clock operation is available for the system oscillator.

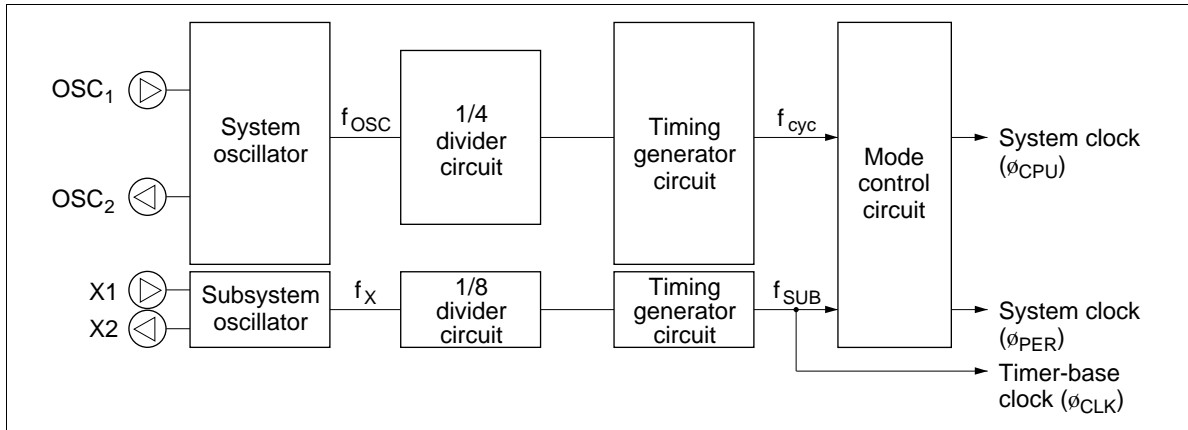


Figure 20 Internal Oscillator Circuit

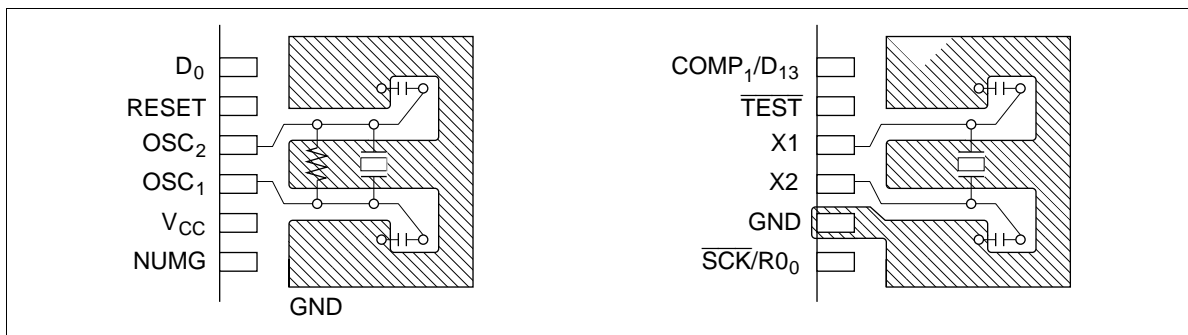


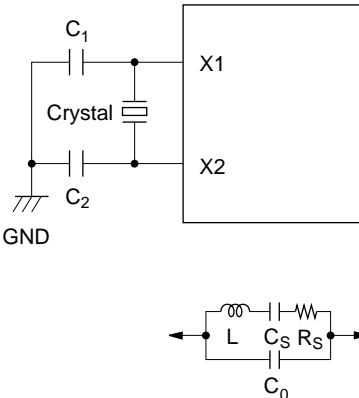
Figure 21 Layout of Crystal and Ceramic Oscillators

HD404818 Series

Table 18 Examples of Oscillator Circuits

| | Circuit Configuration | Circuit Constants |
|--------------------------|-----------------------|--|
| External clock operation | | |
| Ceramic oscillator | | HD404812, HD404814, HD404816, HD404818, HD4074818 Ceramic oscillator: CSA4.00MG (Murata) $R_f = 1\text{M}\Omega \pm 20\%$ $C_1 = C_2 = 30\text{ pF} \pm 20\%$ |
| | | HD40L4812, HD40L4814, HD40L4816, HD40L4818, HD407L4818 Ceramic oscillator: CSB400P (Murata) CSB400P22 (Murata) $R_f = 1\text{ M}\Omega \pm 20\%$ $C_1 = C_2 = 220\text{ pF} \pm 5\%$ CSB800J (Murata) CSB800J122 (Murata) $R_f = \text{M}\Omega \pm 20\%$ $C_1 = C_2 = 220\text{ pF} \pm 5\%$ |
| Crystal oscillator | | HD404812, HD404814, HD404816, HD404818, HD4074818 C_1 : 10 to 22 pF $\pm 20\%$ C_2 : 10 to 22 pF $\pm 20\%$ $R_f = 1\text{ M}\Omega \pm 20\%$ Crystal: Equivalent to circuit shown at bottom left. C_0 : 7 pF max. R_s : 100 Ω max |

Table 18 Examples of Oscillator Circuits (cont)

| Circuit Configuration | Circuit Constants |
|---|--|
| <p data-bbox="235 380 414 407">Crystal oscillator</p>  | <p data-bbox="1000 380 1307 443">Crystal: 32.768 kHz: MX38T (Nippon Denpa Kogyo)</p> <p data-bbox="1000 445 1193 472">$C_1 = 20 \text{ pF} \pm 20\%$</p> <p data-bbox="1000 474 1193 501">$C_2 = 20 \text{ pF} \pm 20\%$</p> <p data-bbox="1000 504 1128 531">$R_S = 14 \text{ k}\Omega$</p> <p data-bbox="1000 533 1128 560">$C_0 = 1.5 \text{ pF}$</p> |

- Notes: 1. The circuit parameters above are recommended by the crystal or ceramic oscillator manufacturer. The circuit parameters are affected by the crystal or ceramic oscillator and floating capacitance when designing the board. When using the oscillator, consult with the crystal or ceramic oscillator manufacturer to determine the circuit parameters.
2. Writing among OSC₁ and OSC₂ or X1 and X2, and other elements should be as short as possible, and should not cross other wires. Refer to figure 21.
3. When the 32.768-kHz crystal oscillator is not used, pin X1 must be fixed to V_{cc} and pin X2 must be left open.

HD404818 Series

Input/Output

The MCU provides 26 I/O pins and 4 input-only pins including 10 high-current pins (15 mA max.). Twenty-six I/O pins contain programmable pull-up MOS. When each I/O pin is used as an input, the data control register (DCR) controls the output buffer. Table 19 shows the I/O pin circuit types.

The configuration of the I/O buffers is shown in table 19.

Table 19 I/O Pin Circuit Types

| I/O Pins | Circuit | Pin Name |
|---------------------------------------|---------|---|
| I/O common pins (with pull-up MOS) | | D_0 - D_9 $R0_0$ - $R0_3$ $R1_0$ - $R1_3$ $R2_0$ - $R2_3$ $R3_0$ - $R3_3$ |
| | | \overline{SCK} |
| Output pins (with pull-up MOS) | | SO $TIMO$ |
| Input pins | | $\overline{INT_0}$ $\overline{INT_1}$ SI |
| | | D_{10} D_{11}/V_{ref} |
| | | $D_{12}/COMP_0$ $D_{13}/COMP_1$ (Multiplexed with analog inputs) |

Note: For RO_2/SO , refer to table 20, note 3.

HD404818 Series

D Port: Consists of ten 1-bit I/O ports and four input ports. Pins D_0 to D_9 are high-current I/O pins (15 mA max.). The sum of the current for all D-port pins is up to 100 mA. D port can be set/reset by the SED/RED and SEDD/REDD instructions, and can be tested by the TD/TDD instruction. Output data is stored in the port data register. The output buffer for port D can be turned on/off by the D-port data control registers (DCRB, DCRC, DCRD). The DCR is located in the memory address area. Pins D_{10} to D_{13} are input-only pins.

Two operation modes are available for pins D_{12} and D_{13} : digital input mode and analog input mode. The operation modes can be selected by port mode register B (PMRB; bits 1, 0). In the digital input mode, these pins can be used as input with the same characteristics as other I/O pins. In the analog input mode, users can read the result of the comparison between the reference voltage as input data. The reference voltage is input through $D_{11}/V_{C_{ref}}$.

R Port: Consists of four 4-bit I/O ports and can receive/transmit data by the LAR/LRA and LBR/LRB instructions. Output data is stored in the port data register (PDR) of each pin.

The output buffers of the R ports can be turned on/off by the R-port data control registers (DCR0–DCR3).

The DCR is located in the memory address area.

Pins $R0_0$, $R0_1$, and $R0_2$ are multiplexed with \overline{SCK} , SI, and SO, respectively.

Pins $R3_1$, $R3_2$, and $R3_3$ are multiplexed with TIMO, \overline{INT}_0 , and \overline{INT}_1 , respectively. Refer to figure 23.

Pull-Up MOS Transfer Control: All I/O ports, except for pins D_{10} – D_{13} , contain programmable pull-up MOS.

Bit 3 of port mode register B (PMRB3) controls the activation of all pull-up MOS simultaneously. Pull-up MOS is controlled by the port data register (PDR) of each pin. Therefore, each bit of pull-up MOS can be individually turned on or off. Refer to table 20.

The on/off status of each transistor and the peripheral function mode of each pin can be set independently.

Unused I/O Pins: If unused pins are left floating, the LSI may malfunction because of noise. The I/O pins should be fixed as follows to prevent this: pull-up to V_{CC} through internal pull-up MOS, or pull-up to V_{CC} through a resistor of approximately 100 k Ω .

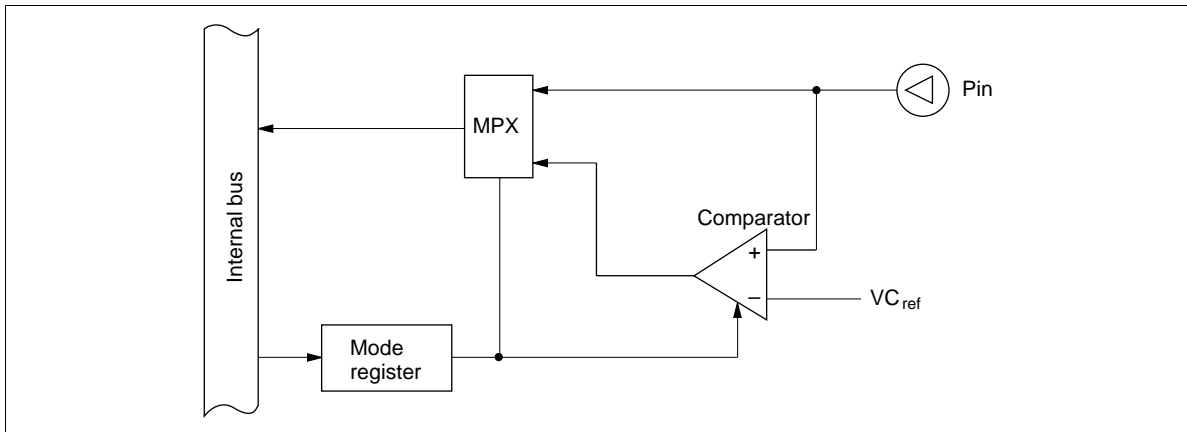
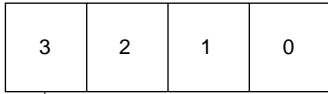


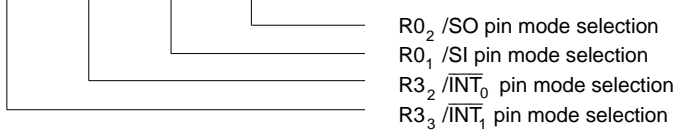
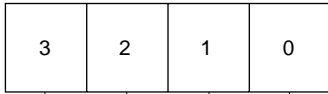
Figure 22 Configuration of D12 and D13

HD404818 Series

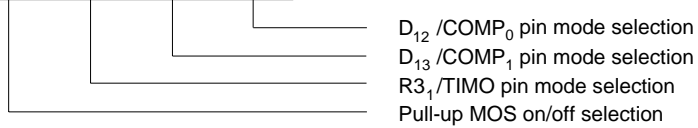
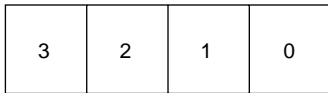
SMR (serial mode register) ADR: \$005



PMRA (port mode register A) ADR: \$004



PMRB (port mode register B) ADR: \$012



| | |
|-------|-----------------|
| SMR | Port select |
| Bit 3 | |
| 0 | R0 ₀ |
| 1 | SCK |

| | | | | | | | |
|-------|------------------|-------|------------------|-------|-----------------|-------|-----------------|
| PMRA | Port select | PMRA | Port select | PMRA | Port select | PMRA | Port select |
| Bit 3 | | Bit 2 | | Bit 1 | | Bit 0 | |
| 0 | R3 ₃ | 0 | R3 ₂ | 0 | R0 ₁ | 0 | R0 ₂ |
| 1 | INT ₁ | 1 | INT ₀ | 1 | SI | 1 | SO |

| | | | | | | | |
|-------|--------------------|-------|-----------------|-------|-------------------|-------|-------------------|
| PMRB | Pull-up MOS on/off | PMRB | Port select | PMRB | Port select | PMRB | Port select |
| Bit 3 | | Bit 2 | | Bit 1 | | Bit 0 | |
| 0 | Off | 0 | R3 ₁ | 0 | D ₁₃ | 0 | D ₁₂ |
| 1 | On | 1 | TIMO | 1 | COMP ₁ | 1 | COMP ₀ |

Figure 23 I/O Select Mode Registers

Table 20 Input/Output by Program Control

| PMRB Bit 3 | 0 | | | | 1 | | | |
|-------------------|----------|----------|----------|----------|----------|----------|----------|----------|
| DCR | 0 | 1 | 0 | 1 | 0 | 1 | 0 | 1 |
| PDR | 0 | 1 | 0 | 1 | 0 | 1 | 0 | 1 |
| PMOS (A) | — | — | — | On | — | — | — | On |
| NMOS (B) | — | — | On | — | — | — | On | — |
| Pull-up MOS | — | — | — | — | — | On | — | On |

Notes: — indicates off status.

- Combine the values of the above mode registers (PMRB3, DCR, and PDR) to select the input/output for PMOS (A), NMOS (B), and the pull-up MOS, individually. The DCR and PDR control each pin. Also, PMRB3 controls the on/off of all pull-up MOSs.
- The second bit of the miscellaneous register (MIS2) controls R0₂/SO. When MIS2 is 1, PMOS (A) is off.

| MIS2 | R0₂/SO PMOS (A) |
|-------------|---------------------------------------|
| 0 | On |
| 1 | Off |

- Each bit of DCR corresponds to each port as follows:

| DCR | Bit 3 | Bit 2 | Bit 1 | Bit 0 |
|------------|-----------------|-----------------|-----------------|-----------------|
| DCR0 | R0 ₃ | R0 ₂ | R0 ₁ | R0 ₀ |
| DCR1 | R1 ₃ | R1 ₂ | R1 ₁ | R1 ₀ |
| DCR2 | R2 ₃ | R2 ₂ | R2 ₁ | R2 ₂ |
| DCR3 | R3 ₃ | R3 ₂ | R3 ₁ | R3 ₀ |
| DCRB | D ₃ | D ₂ | D ₁ | D ₀ |
| DCRC | D ₇ | D ₆ | D ₅ | D ₄ |
| DCRD | — | — | D ₉ | D ₈ |

HD404818 Series

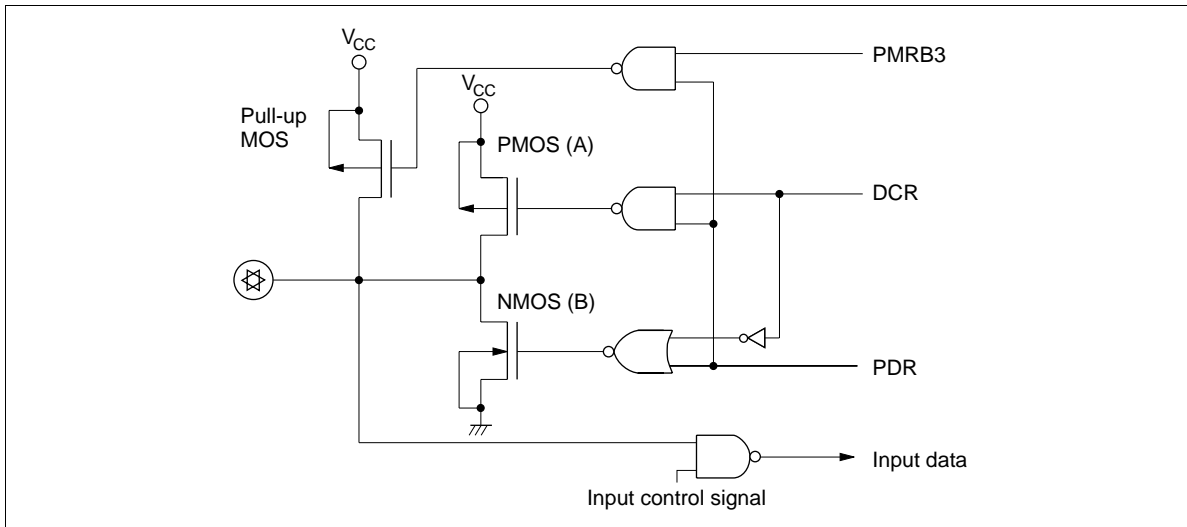


Figure 24 Configuration of the Input/Output Buffer

Timers

The MCU provides prescalers S and W (each with a different input clock source), and three timer/ counters (timers A, B, and C). Figures 25, 26 and 27 show their diagrams.

Prescaler S: The input to prescaler S is the system clock signal. The prescaler is initialized to \$000 by MCU reset, and starts to count up with the system clock signal as soon as the RESET input goes low. The prescaler keeps counting up except at MCU reset and in the stop and watch modes. The prescaler provides input clock signals to timers A to C and the transmit clock of the serial interface. They can be selected by timer mode registers A (TMA), B (TMB), C (TMC), and the serial mode register (SMR), respectively.

Prescaler W: The input to prescaler W is a clock which divides the X1 input clock by 8. The output of prescaler W is available as an input clock for timer A by controlling timer mode register A (TMA).

Timer A Operation: After timer A is initialized to \$00 by MCU reset, it counts up at every clock input signal. When the next clock signal is applied after timer A has counted up to \$FF, timer A is set to \$00 again, and an overflow output is generated. This sets the timer A interrupt request flag (IFTA: \$001, bit 2) to 1. Therefore, timer A can function as an interval timer periodically generating overflow output at every 256th clock signal input (figure 25).

To use timer A as a watch time base, set TMA3 to 1. Timer counter A receives prescaler W output, and timer A generates interrupts with accurate timing (reference clock = 32-kHz crystal oscillator). When using timer A as a watch time base, prescaler W and the timer counter can be initialized to \$0 by setting timer mode register A.

The clock input signals to timer A are selected by timer mode register A (TMA: \$008).

HD404818 Series

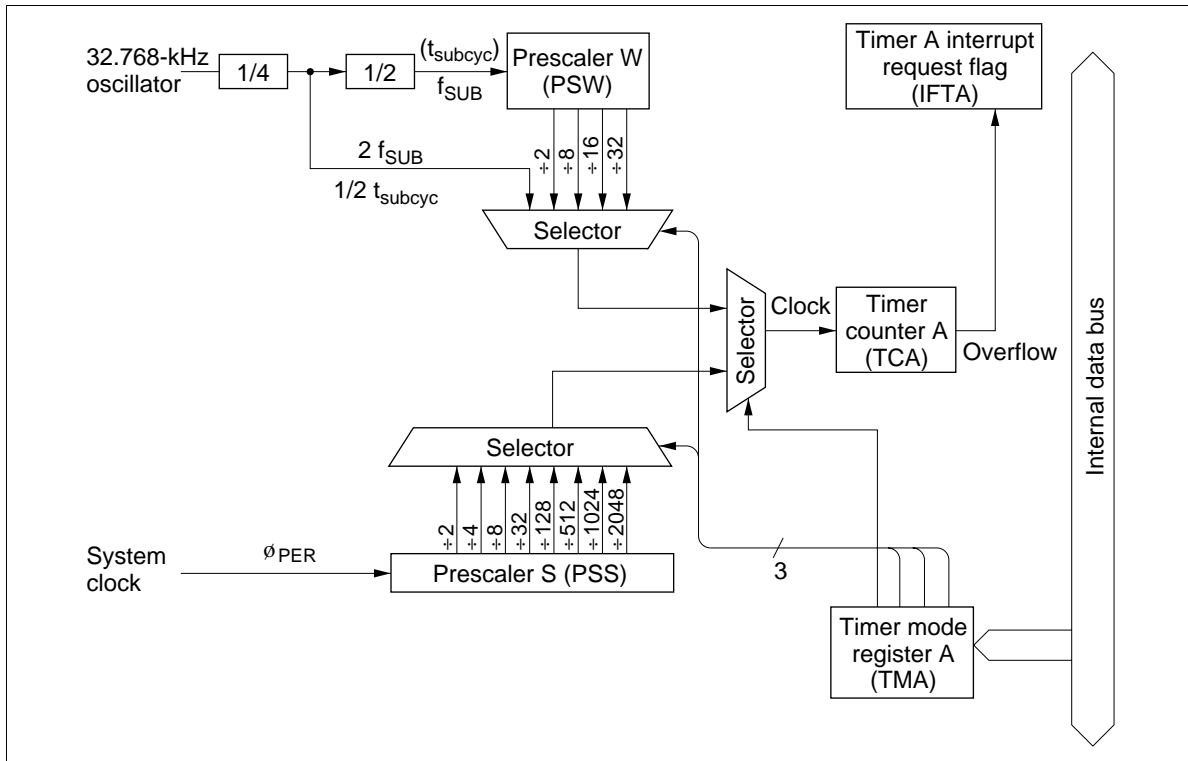


Figure 25 Timer A Block Diagram

Timer B Operation: Timer mode register B (TMB: \$009) selects the auto-reload function, input clock source, and prescaler divide ratio for timer B. When an external event input is used as an input clock signal to timer B, select $R3_3/\overline{INT}_1$ as \overline{INT}_1 by port mode register A (PMRA: \$004) to prevent an external interrupt request from occurring (figure 26)

Timer B is initialized according to the data written into timer load register B by software. Timer B counts up at every clock input signal. When the next clock signal is applied to timer B after it is set to \$FF, it will generate an overflow output. In this case, if the auto-reload function is selected, timer B is initialized according to the value of timer load register B. If it is not selected, timer B goes to \$00. The timer B interrupt request flag (IFTB: \$002, bit 0) will be set as this overflow is output.

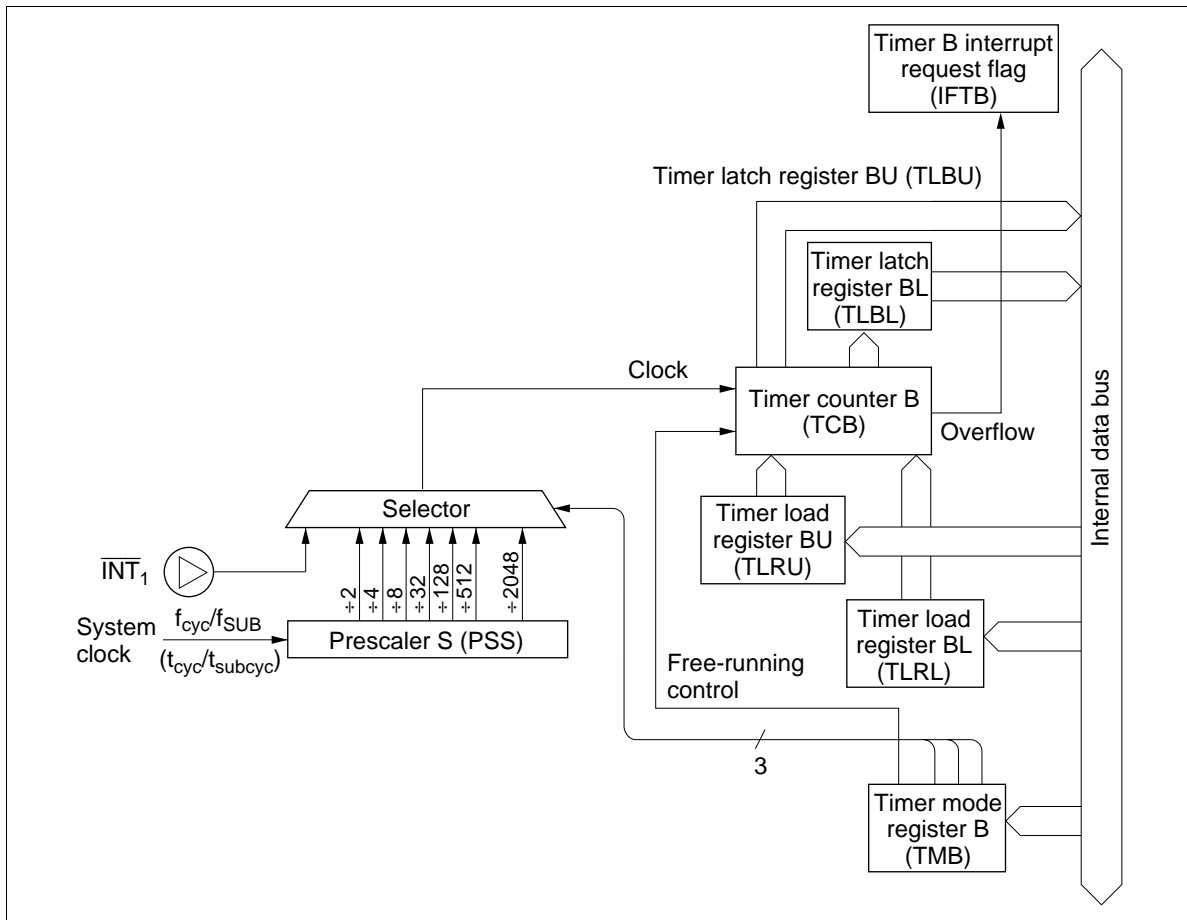


Figure 26 Timer B Block Diagram

Timer C Operation: Timer mode register C (TMC: \$00D) selects the auto-reload function and the prescaler divide ratio for timer C.

Timer C is initialized according to the data written into timer load register C by software. Timer C counts up at every clock input signal. When the next clock signal is applied to timer C after it is set to \$FF, it will generate an overflow output. In this case, if the auto-reload function is selected, timer C is initialized

HD404818 Series

according to the value of timer load register C. If it is not selected, timer C goes to \$00. The timer C interrupt request flag (IFTC: \$002, bit 2) will be set as this overflow is output.

Timer C is also available as a watchdog timer for detecting runaway programs. MCU reset occurs when the watchdog on flag (WDON) is 1 and the counter overflow output is generated by a runaway program. If timer C stops, the watchdog timer function also stops. In the standby mode, this function is enabled.

Timer C provides a variable duty-cycle pulse output function (PWM). The output waveform differs depending on the contents of the timer mode register and timer load register C (figure 28). When selecting the pulse output function, set R3₁/TIMO to TIMO by controlling port mode register B.

When timer C stops, this functions also stops.

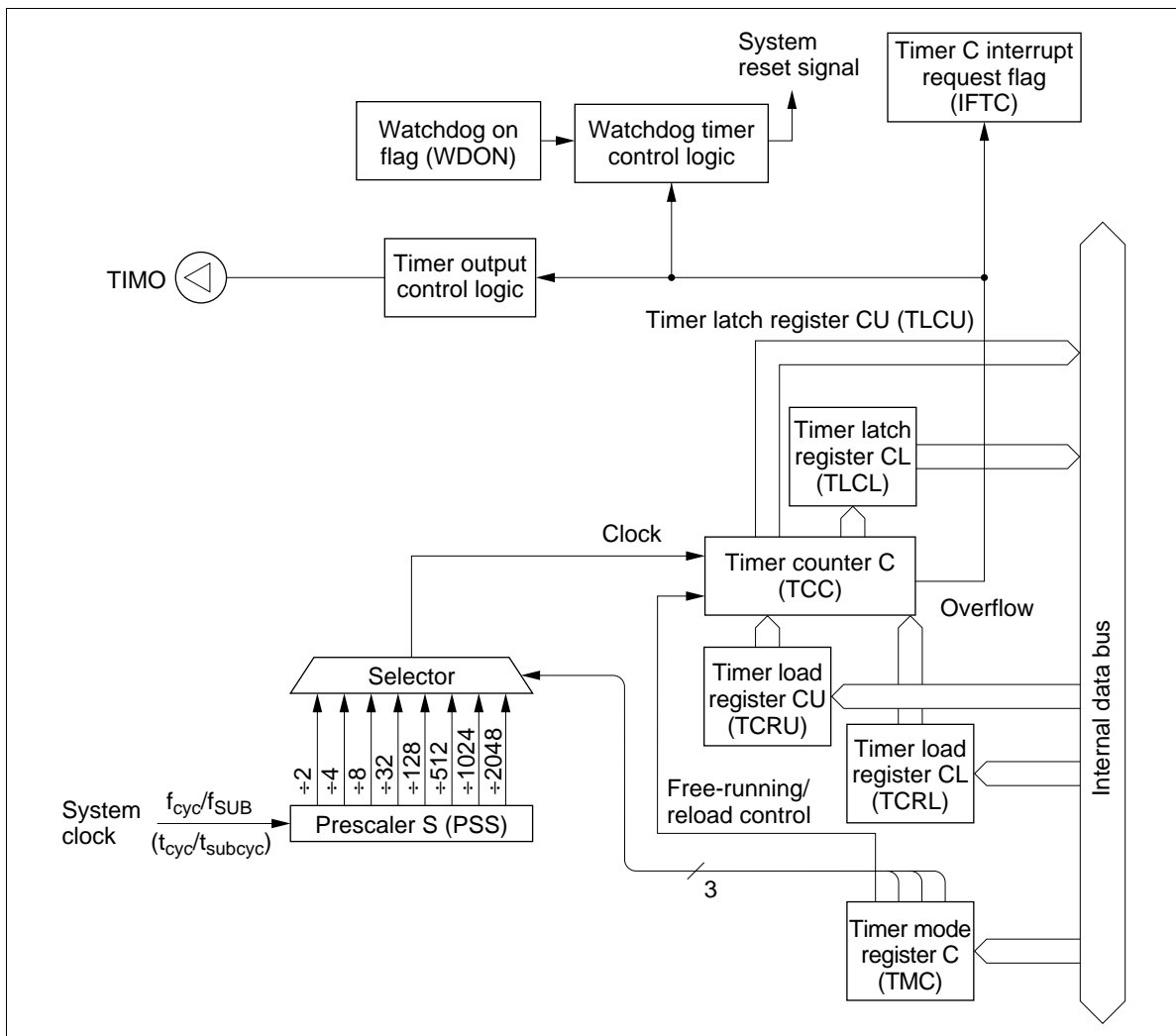


Figure 27 Timer C Block Diagram

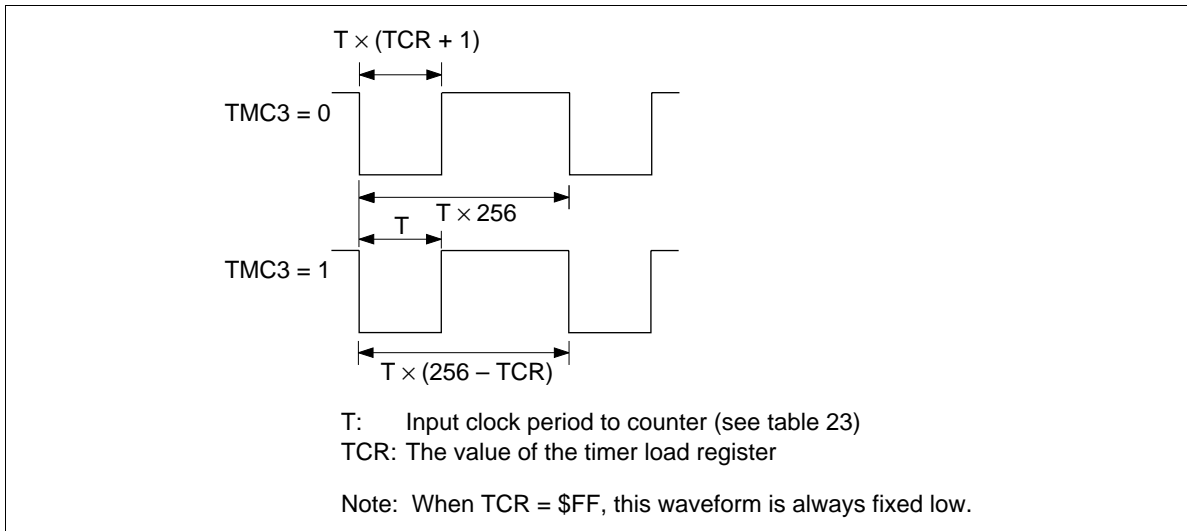


Figure 28 Variable Duty-Cycle Pulse Output Waveform

HD404818 Series

Registers for Timers

Timer Mode Register A (TMA: \$008): Timer mode register A is a 4-bit write-only register which controls the timer A operation as table 21 shows. Timer mode register A is initialized to \$0 at MCU reset.

Timer Mode Register B (TMB: \$009): Timer mode register B (TMB) is a 4-bit write-only register which selects the auto-reload function, the prescaler divide ratio, and the source of the clock input signal, as shown in table 22. Timer mode register B is initialized to \$0 by MCU reset.

The data of timer B changes at the second instruction cycle of a write instruction. Initialization of timer B by writing data into timer load register B should be performed after the contents of TMB are changed.

Table 21 Timer Mode Register A

| TMA | | | | Source Prescaler, Input Clock Period, Operating Mode | |
|-------|-------|-------|-------|---|----------------|
| Bit 3 | Bit 2 | Bit 1 | Bit 0 | | |
| 0 | 0 | 0 | 0 | PSS, 2048 t_{cyc} | Timer A mode |
| | | | 1 | PSS, 1024 t_{cyc} | |
| | | 1 | 0 | PSS, 512 t_{cyc} | |
| | | | 1 | PSS, 128 t_{cyc} | |
| | 1 | 0 | 0 | PSS, 32 t_{cyc} | |
| | | | 1 | PSS, 8 t_{cyc} | |
| | | 1 | 0 | PSS, 4 t_{cyc} | |
| | | | 1 | PSS, 2 t_{cyc} | |
| 1 | 0 | 0 | 0 | PSW, 32 t_{subcyc} | Time-base mode |
| | | | 1 | PSW, 16 t_{subcyc} | |
| | | 1 | 0 | PSW, 8 t_{subcyc} | |
| | | | 1 | PSW, 2 t_{subcyc} | |
| | 1 | 0 | 0 | PSW, 1/2 t_{subcyc} | |
| | | | 1 | Do not use | |
| | | 1 | 0 | PSW, TCA reset | |
| | | | 1 | | |

- Notes:
- $t_{subcyc} = 244.14 \mu\text{s}$ (when a 32.768-kHz crystal oscillator is used)
 - Timer counter overflow output period (s) = input clock period (s) \times 256
 - If PSW or TCA reset is selected while the LCD is operating, LCD operation halts (power switch goes off).
When the LCD is connected for display, the PSW and TCA reset periods must be set in the program to the minimum.
 - In time base mode, the timer counter overflow output cycle must be greater than half of the interrupt frame period ($T/2 = t_{RC}$).
If 1/2 t_{subcyc} is selected, t_{RC} must be 7.8125 ms ((MIS1, MIS0) = (0, 1), see figure 13).

5. The division ratio must not be modified during time base mode operation, otherwise an overflow cycle error will occur.

Timer Mode Register C (TMC: \$00D): Timer mode register C is a 4-bit write-only register which selects the auto-reload function, input clock source, and prescaler divide ratio, as table 23 shows. Timer mode register C is initialized to \$0 at MCU reset.

The contents of timer mode register C will change in the second instruction cycle after a write instruction to TMC. Therefore, it is required to initialize timer C after the contents of timer mode register C have been changed completely.

Timer B (TCBL: \$00A, TCBU: \$00B, TLRL: \$00A, TLRU: \$00B): Timer B consists of an 8-bit write-only timer load register, and an 8-bit read-only timer counter. Each of them has low-order digits (TCBL: \$00A, TLRL: \$00A) and high-order digits (TCBU: \$00B, TLRU: \$00B). (Refer to figure 26.)

Timer counter B can be initialized by writing data into timer load register B. In this case, write the low-order digits first, and then the high-order digits. The timer counter is initialized when the high-order digit is written. The timer load register is initialized to \$00 by MCU reset.

The counter value of timer B can be obtained by reading timer counter B. In this case, read the high-order digits first, and then the low-order digits. The count value of the low-order digit is obtained when the high-order digit is read.

Timer C (TCCL: \$00E, TCCU: \$00F, TCRL: \$00E, TCRU: \$00F): Timer C consists of the 8-bit write-only timer load register and the 8-bit read-only timer counter. These individually consist of low-order digits (TCCL: \$00E, TCRL: \$00E) and high-order digits (TCCU: \$00F, TCRU: \$00F). The operation mode of timer C is the same as that of timer B.

Table 22 Timer Mode Register B

| TMB3 | Auto-Reload Function | | |
|------|----------------------|--|--|
| 0 | No | | |
| 1 | Yes | | |

| TMB2 | TMB1 | TMB0 | Prescaler Divide Ratio, Clock Input Source |
|------|------|------|--|
| 0 | 0 | 0 | ÷ 2048 |
| 0 | 0 | 1 | ÷ 512 |
| 0 | 1 | 0 | ÷ 128 |
| 0 | 1 | 1 | ÷ 32 |
| 1 | 0 | 0 | ÷ 8 |
| 1 | 0 | 1 | ÷ 4 |
| 1 | 1 | 0 | ÷ 2 |
| 1 | 1 | 1 | $\overline{\text{INT}}_1$ (external event input) |

HD404818 Series

Table 23 Timer Mode Register C

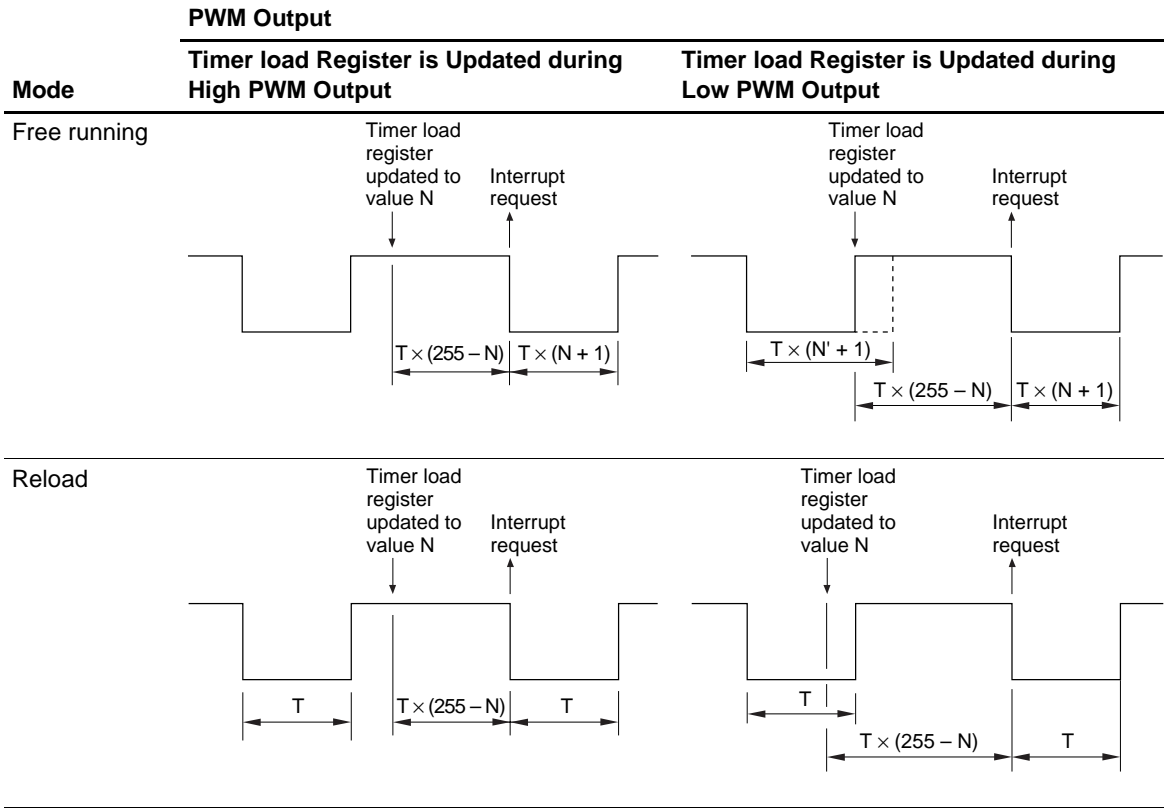
| TMC3 | Auto-Reload Function |
|------|----------------------|
| 0 | No |
| 1 | Yes |

| TMC2 | TMC1 | TMC0 | Prescaler Divide Ratio, Clock Input Source |
|------|------|------|--|
| 0 | 0 | 0 | ÷ 2048 |
| 0 | 0 | 1 | ÷ 1024 |
| 0 | 1 | 0 | ÷ 512 |
| 0 | 1 | 1 | ÷ 128 |
| 1 | 0 | 0 | ÷ 32 |
| 1 | 0 | 1 | ÷ 8 |
| 1 | 1 | 0 | ÷ 4 |
| 1 | 1 | 1 | ÷ 2 |

Notes on Use

When using the timer output as variable duty-cycle pulse (PWM) output, note the following point. From the update of the timer write register until the occurrence of the overflow interrupt, the PWM output differs from the period and duty settings, as shown in table 24. The PWM output should therefore not be used until after the overflow interrupt following the update of the timer write register. After the overflow, the PWM output will have the set period and duty cycle.

Table 24 PWM Output Following Update of Timer load Register



HD404818 Series

Serial Interface

The serial interface transmits/receives 8-bit data serially. It consists of the serial data register, the serial mode register, port mode register A, the octal counter, and the selector (figure 29). Pin $R0_0/\overline{SCK}$ and the transmit clock signal are controlled by the serial mode register. The data of the serial data register can be written and read by software. The data in the serial data register can be shifted synchronously with the transmit clock signal.

The STS instruction starts serial interface operations and resets the octal counter to \$0. The octal counter starts to count at the falling edge of the transmit clock signal (\overline{SCK}) and increments by one at the rising edge of the \overline{SCK} . When the octal counter is reset to \$0 after eight transmit clock signals, or when a transmit/receive operation is discontinued by resetting the octal counter, the serial interrupt request flag will be set.

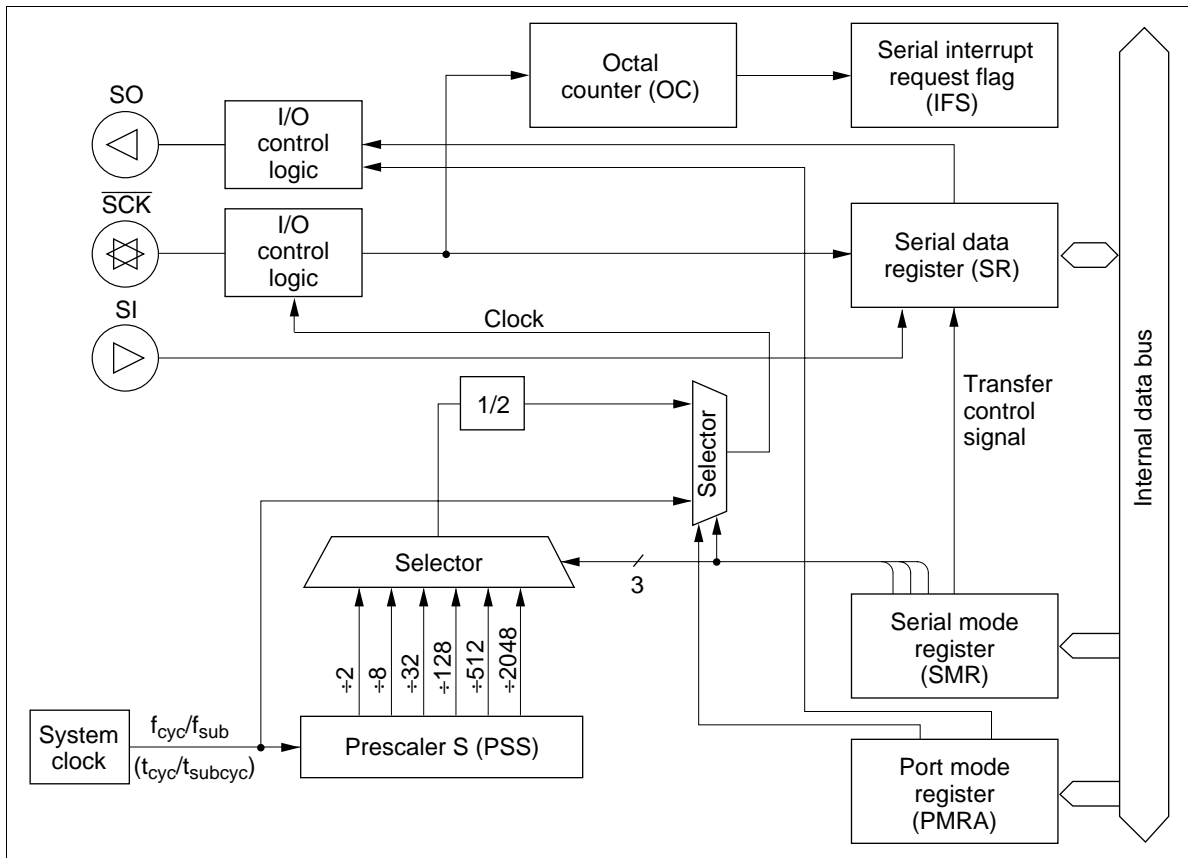


Figure 29 Serial Interface Block Diagram

Selection and Change of the Operation Mode: Table 25 shows the serial interface operation modes which are determined by a combination of the value in the port mode register and in the serial mode register.

Initialize the serial interface by writing to the serial mode register to change the operation mode of the serial interface.

Table 25 Serial Interface Operation Mode

| SMR3 | PMRA1 | PMRA0 | Serial Interface Operating Mode |
|-------------|--------------|--------------|--|
| 1 | 0 | 0 | Clock continuous output mode |
| 1 | 0 | 1 | Transmit mode |
| 1 | 1 | 0 | Receive mode |
| 1 | 1 | 1 | Transmit/receive mode |

Operating State of Serial Interface: The serial interface has three operating states: the STS waiting state, transmit clock wait state, and transfer state (figure 30).

The STS waiting state is the initialization state of the serial interface internal state. The serial interface enters this state in one of two ways: either by changing the operation mode through a change in the data in the port mode register, or by writing data into the serial mode register. In this state, the serial interface does not operate even if the transmit clock is applied. If the STS instruction is executed then, the serial interface shifts to the transmit clock wait state.

In the transmit clock wait state, the falling edge of the first transmit clock causes the serial interface to shift to the transfer state, while the octal counter counts up and the serial data register shifts simultaneously. As an exception, if the clock continuous output mode is selected, the serial interface stays in transmit clock wait state while the transmit clock outputs continuously. The octal counter becomes 000 again after 8 external transmit clocks or by the execution of the STS instruction, the serial interface then returns to the transmit clock wait state, and the serial interrupt request flag is set simultaneously. In the transfer state the octal counter becomes 000 after 8 internal transmit clocks, the serial interface then enters the STS instruction waiting state, and the serial interrupt request flag is set simultaneously.

When the internal transmit clock is selected, the transmit clock output is triggered by the execution of the STS instruction, and stops after 8 clocks.

Program the SMR again to initialize the internal state of the serial interface when the PMRA is programmed in the transfer state or in the transmit clock wait state. Then the serial interface goes into the STS waiting state.

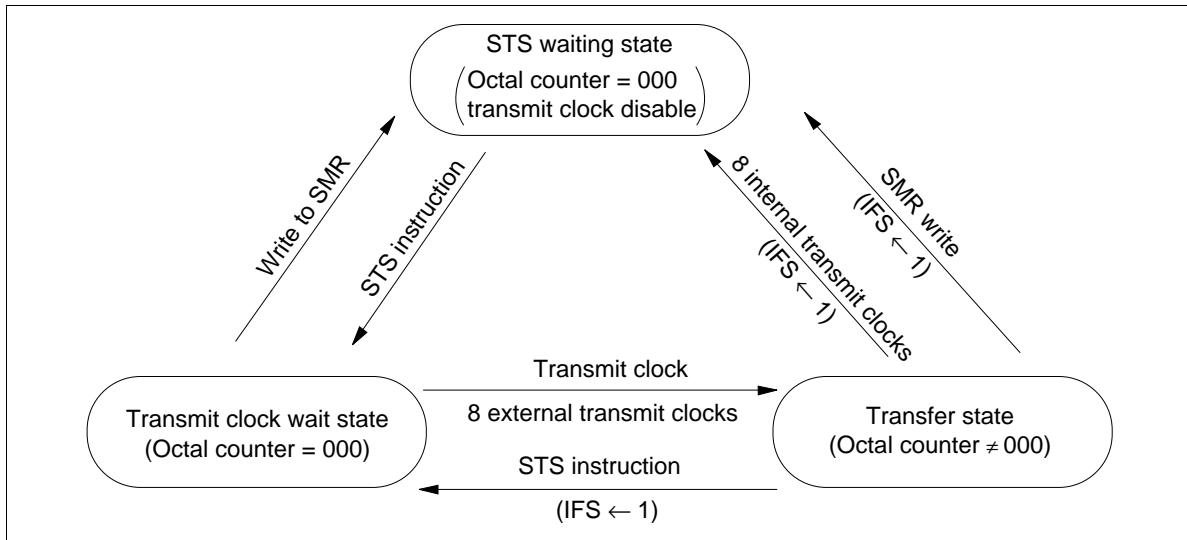


Figure 30 Serial Interface Operation States

Example of Transmit Clock Error Detection: The serial interface malfunctions when the transmit clock is disturbed by external noise. In this case, transmit clock errors can be detected by the procedure shown in figure 31.

If more than 8 transmit clocks are applied in the transmit clock wait state, the state of the serial interface shifts in the following sequence: transfer state, transmit clock wait state, and transfer state again. The serial interrupt request flag should be reset before entering into the STS waiting state by writing data to SMR. This procedure causes the serial interface request flag to be set again.

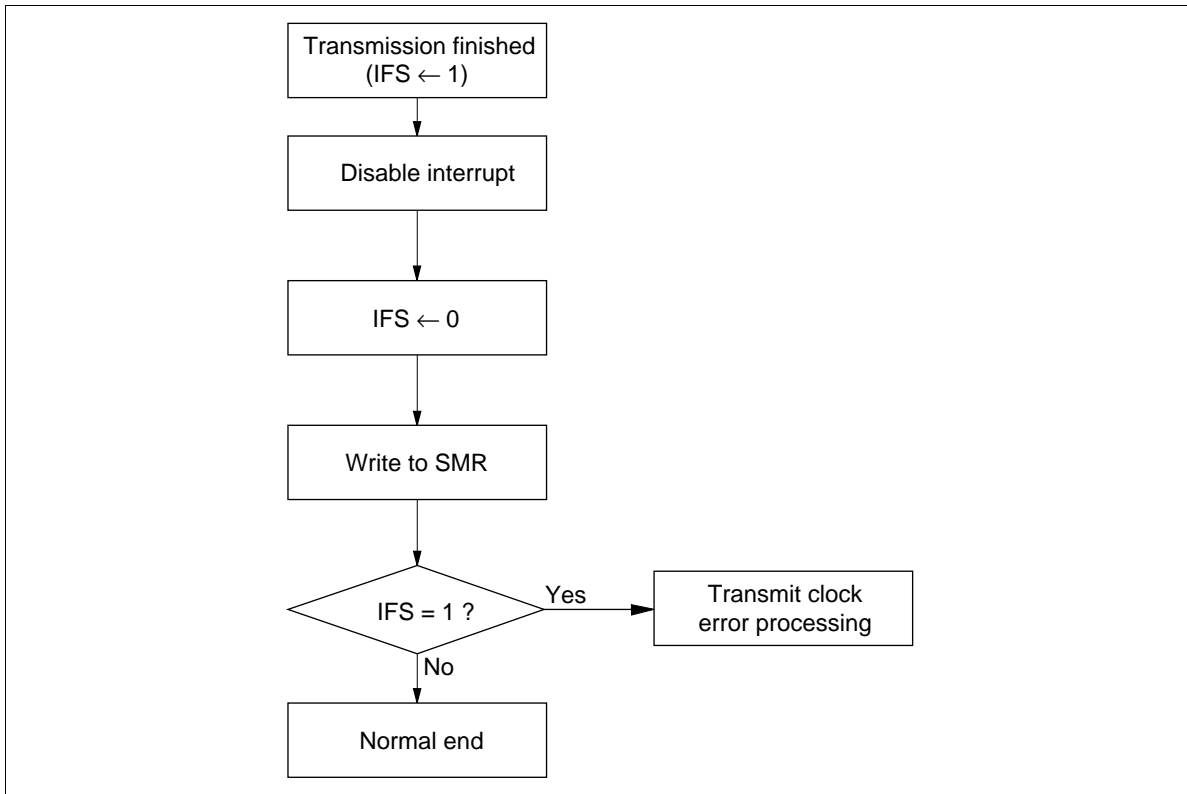


Figure 31 Transmit Clock Error Detection

HD404818 Series

Registers for Serial Interface

Serial Mode Register (SMR: \$005): The 4-bit write-only serial mode register controls the $R0_0/\overline{SCK}$, prescaler divide ratio, and transmit clock source (table 26, figure 32).

A write signal to the serial mode register controls the internal state of the serial interface.

A write signal to the serial mode register stops the serial data register and octal counter from applying the transmit clock, and it also resets the octal counter to \$0 simultaneously. Therefore, when the serial interface is in the transfer state, a write signal causes the serial mode register to cease the data transfer and to set the serial interrupt request flag.

Data in the serial mode register will change in the second instruction cycle after a write instruction to the serial mode register. Therefore, it is required to execute the STS instruction after the data in the serial mode register has been changed completely. The serial mode register will be reset to \$0 by MCU reset.

Serial Data Register (SRL: \$006, SRU: \$007): The 8-bit read/write serial data register consists of low-order digits (SRL: \$006) and high-order digits (SRU: \$007).

The data in the serial data register will be output from the SO pin LSB first synchronously with the falling edge of the transmit clock signal. At the same time, external data will be input from the SI pin to the serial data register synchronously with the rising edge of the transmit clock. Figure 33 shows the I/O timing chart for the transmit clock signal and the data.

The read/write operation of the serial data register should be performed after the completion of data transmit/receive. Otherwise, data accuracy cannot be guaranteed.

Table 26 Serial Mode Register

| SMR3 | $R0_0/\overline{SCK}$ |
|------|---|
| 0 | Used as $R0_0$ port input/output pin |
| 1 | Used as \overline{SCK} input/output pin |

| Transmit Clock | | | | | | |
|----------------|------|------|----------------------------|----------------|------------------------|---------------------------|
| SMR2 | SMR1 | SMR0 | $R0_0/\overline{SCK}$ Port | Clock Source | Prescaler Divide Ratio | System Clock Divide Ratio |
| 0 | 0 | 0 | \overline{SCK} /output | Prescaler | ÷ 2048 | ÷ 4096 |
| 0 | 0 | 1 | \overline{SCK} /output | Prescaler | ÷ 512 | ÷ 1024 |
| 0 | 1 | 0 | \overline{SCK} /output | Prescaler | ÷ 128 | ÷ 256 |
| 0 | 1 | 1 | \overline{SCK} /output | Prescaler | ÷ 32 | ÷ 64 |
| 1 | 0 | 0 | \overline{SCK} /output | Prescaler | ÷ 8 | ÷ 16 |
| 1 | 0 | 1 | \overline{SCK} /output | Prescaler | ÷ 2 | ÷ 4 |
| 1 | 1 | 0 | \overline{SCK} /output | System clock | — | ÷ 1 |
| 1 | 1 | 1 | \overline{SCK} /input | External clock | — | — |

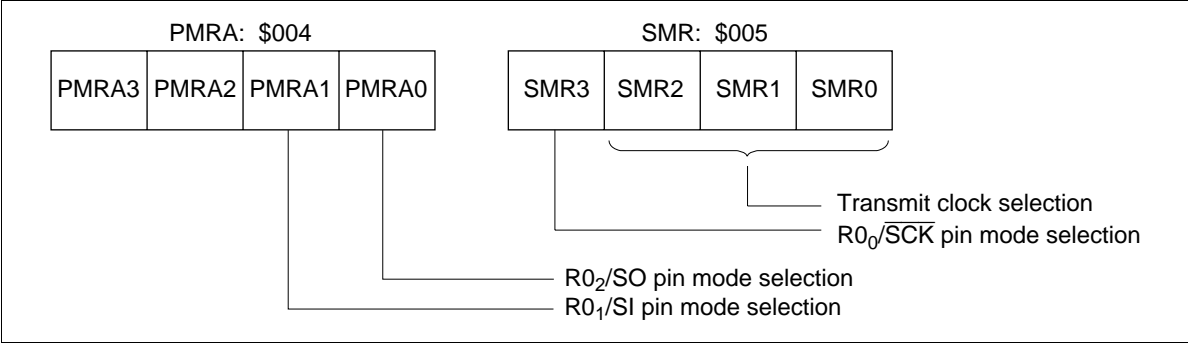


Figure 32 Configurations and Functions of the Mode Registers

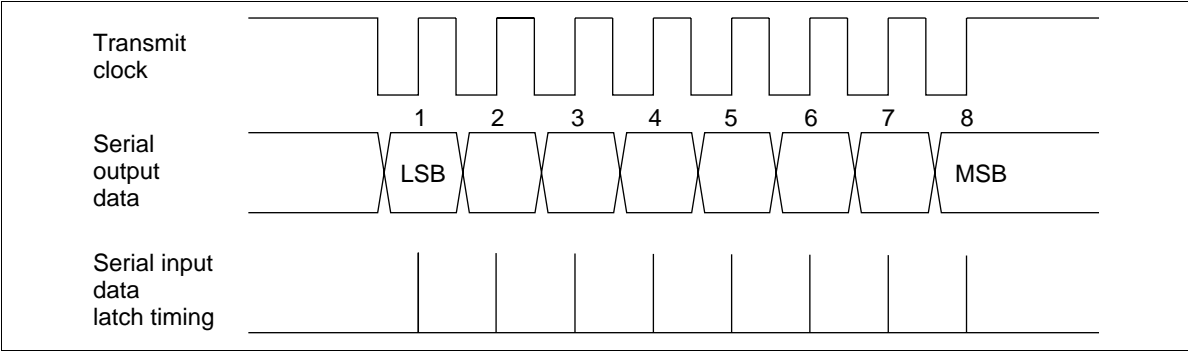


Figure 33 Serial Interface I/O Timing

HD404818 Series

LCD Controller/Driver

The MCU contains four common signal pins, the controller, and the driver. The controller and the driver drive 32 segment signal pins. The controller consists of display data RAM, the LCD control register (LCR), and the LCD duty-cycle/clock control register (LMR) (figure 34). Four programmable duty cycles and LCD clocks are available. Since the MCU contains a dual port RAM, display data can be transferred to segment signal pins automatically without program control. When selecting the 32-kHz oscillation clock as the LCD clock source, the system allows the LCD to display even in watch mode, in which the system clock halts.

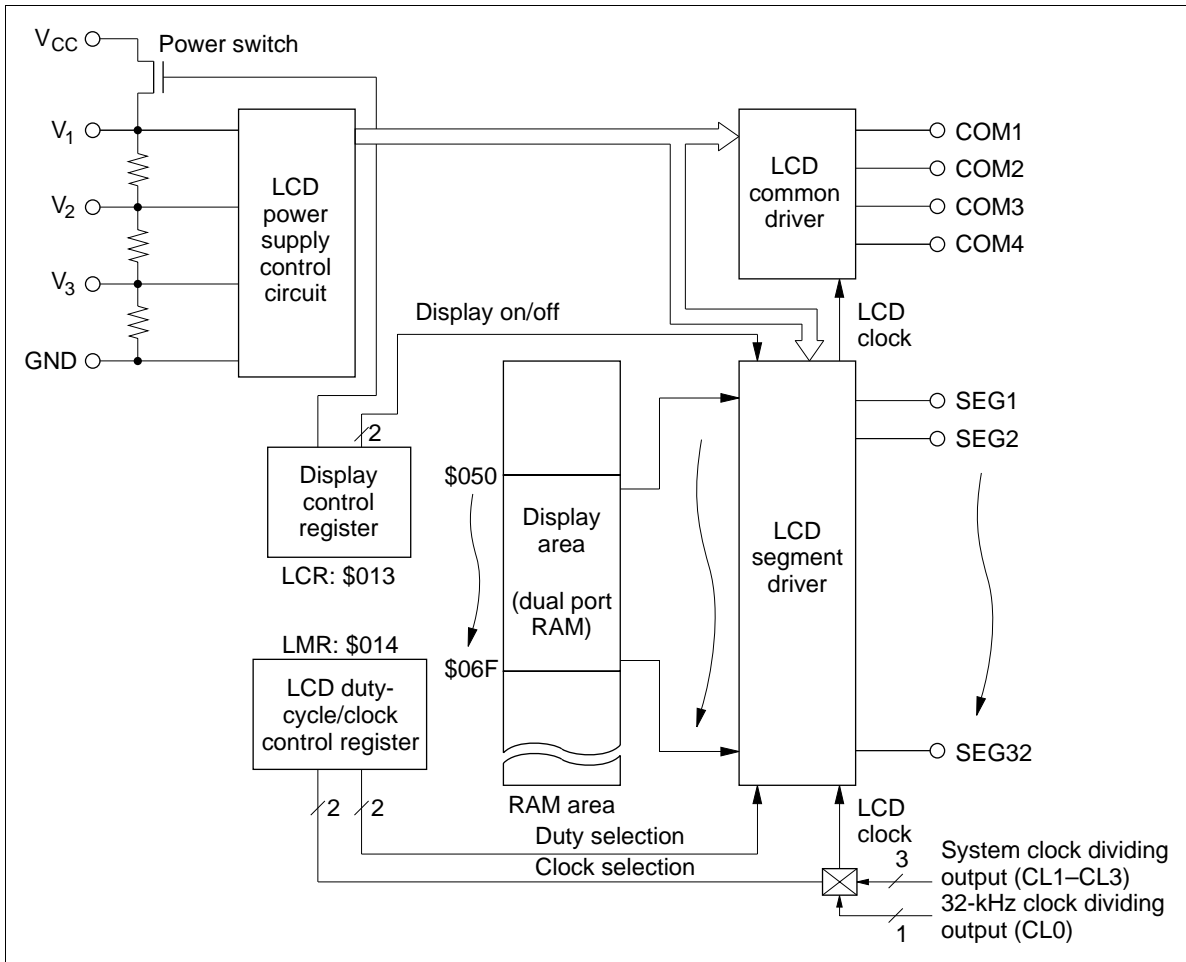


Figure 34 LCD Controller/Driver Configuration

LCD Data Area and Segment Data (\$050 to \$06F): Figure 35 shows the configuration of the LCD RAM area. Each bit of this area, corresponding to four types of duty cycles, can be transmitted to the segment driver as display data by programming the area corresponding to the duty cycle.

| | Bit 3 | Bit 2 | Bit 1 | Bit 0 | | Bit 3 | Bit 2 | Bit 1 | Bit 0 | | |
|----|-------|-------|-------|-------|-------|-------|-------|-------|-------|-------|-------|
| 80 | SEG1 | SEG1 | SEG1 | SEG1 | \$050 | 96 | SEG17 | SEG17 | SEG17 | SEG17 | \$060 |
| 81 | SEG2 | SEG2 | SEG2 | SEG2 | \$051 | 97 | SEG18 | SEG18 | SEG18 | SEG18 | \$061 |
| 82 | SEG3 | SEG3 | SEG3 | SEG3 | \$052 | 98 | SEG19 | SEG19 | SEG19 | SEG19 | \$062 |
| 83 | SEG4 | SEG4 | SEG4 | SEG4 | \$053 | 99 | SEG20 | SEG20 | SEG20 | SEG20 | \$063 |
| 84 | SEG5 | SEG5 | SEG5 | SEG5 | \$054 | 100 | SEG21 | SEG21 | SEG21 | SEG21 | \$064 |
| 85 | SEG6 | SEG6 | SEG6 | SEG6 | \$055 | 101 | SEG22 | SEG22 | SEG22 | SEG22 | \$065 |
| 86 | SEG7 | SEG7 | SEG7 | SEG7 | \$056 | 102 | SEG23 | SEG23 | SEG23 | SEG23 | \$066 |
| 87 | SEG8 | SEG8 | SEG8 | SEG8 | \$057 | 103 | SEG24 | SEG24 | SEG24 | SEG24 | \$067 |
| 88 | SEG9 | SEG9 | SEG9 | SEG9 | \$058 | 104 | SEG25 | SEG25 | SEG25 | SEG25 | \$068 |
| 89 | SEG10 | SEG10 | SEG10 | SEG10 | \$059 | 105 | SEG26 | SEG26 | SEG26 | SEG26 | \$069 |
| 90 | SEG11 | SEG11 | SEG11 | SEG11 | \$05A | 106 | SEG27 | SEG27 | SEG27 | SEG27 | \$06A |
| 91 | SEG12 | SEG12 | SEG12 | SEG12 | \$05B | 107 | SEG28 | SEG28 | SEG28 | SEG28 | \$06B |
| 92 | SEG13 | SEG13 | SEG13 | SEG13 | \$05C | 108 | SEG29 | SEG29 | SEG29 | SEG29 | \$06C |
| 93 | SEG14 | SEG14 | SEG14 | SEG14 | \$05D | 109 | SEG30 | SEG30 | SEG30 | SEG30 | \$06D |
| 94 | SEG15 | SEG15 | SEG15 | SEG15 | \$05E | 110 | SEG31 | SEG31 | SEG31 | SEG31 | \$06E |
| 95 | SEG16 | SEG16 | SEG16 | SEG16 | \$05F | 111 | SEG32 | SEG32 | SEG32 | SEG32 | \$06F |
| | COM4 | COM3 | COM2 | COM1 | | | COM4 | COM3 | COM2 | COM1 | |

Figure 35 Configuration of LCD RAM Area (dual port RAM)

LCD Control Register (LCR: \$013): The LCD control register is a 3-bit write-only register which controls the blanking of the LCD, activation of the power switch, and display in watch mode/subactive mode (table 27, figure 36).

- Blank/display
Blank: Segment signal is faded regardless of the LCD RAM data.
Display: LCD RAM data is transmitted as a segment signal.
- Power switch on/off
Off: Power switch is off.
On: Power switch is on and V_1 is V_{CC} .
- Watch mode/subactive mode display
Off: In the watch mode/subactive mode, all common/segment pins are fixed to GND, and the power switch is off.
On: In the watch mode/subactive mode, LCD RAM data is transmitted as a segment signal.

LCD Duty-Cycle/Clock Control Register (LMR: \$014): The LCD duty-cycle/clock control register is a write-only register which specifies four display duty cycles and the reference clock for the LCD (table 28, figure 36).

HD404818 Series

Table 27 LCD Control Register

| LCR BIT 2 | Watch Mode/ Subactive Mode Display | LCR BIT 1 | Power Switch On/Off | LCR BIT 0 | Blank/ Display |
|--------------|---------------------------------------|--------------|---------------------|--------------|----------------|
| 0 | Off | 0 | Off | 0 | Blank |
| 1 | On | 1 | On | 1 | Display |

Note: With the LCD in watch mode, use the divider output of the 32-kHz oscillator as an LCD clock and set LCR bit 2 to 1. When the system oscillator divider output is used as an LCD clock, set LCR bit 2 to 0.

Table 28 LCD Duty-Cycle/Clock Control Register

LMR

| Bit 3 | Bit 2 | Bit 1 | Bit 0 | Duty Cycle Select/Input Clock Select |
|-------|-------|-------|-------|---|
| — | — | 0 | 0 | 1/4 duty cycle |
| — | — | 0 | 1 | 1/3 duty cycle |
| — | — | 1 | 0 | 1/2 duty cycle |
| — | — | 1 | 1 | Static |
| 0 | 0 | — | — | CL0 (32.768 kHz/64; when 32.768-kHz oscillator is used) |
| 0 | 1 | — | — | CL1 ($f_{cyc}/256$) |
| 1 | 0 | — | — | CL2 ($f_{cyc}/2048$) |
| 1 | 1 | — | — | CL3 (Refer to table 29) |

Note: f_{cyc} is the system oscillator divider output.

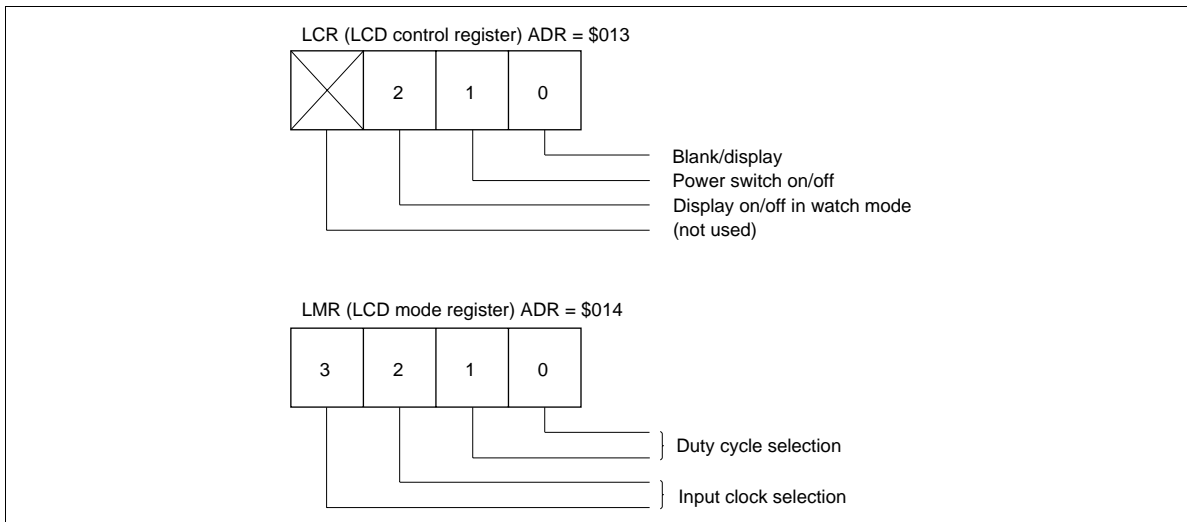


Figure 36 LCD Control Register

Table 29 LCD Frame Frequency

| Static | LMR | | | | | | | |
|------------------------|--------|-------|----------|-------|---------|-------|---------------|-------|
| | Bit 3 | Bit 2 | Bit 3 | Bit 2 | Bit 3 | Bit 2 | Bit 3 | Bit 2 |
| Instruction cycle time | 0 | 0 | 0 | 1 | 1 | 0 | 1 | 1 |
| | CL0 | | CL1 | | CL2 | | CL3* | |
| 10 μs | 512 Hz | | 390.6 Hz | | 48.8 Hz | | 24.4 Hz/64 Hz | |
| 1 μs | 512 Hz | | 3906 Hz | | 488Hz | | 244 Hz/64 Hz | |

| 1/2 Duty Cycle | LMR | | | | | | | |
|------------------------|--------|-------|----------|-------|---------|-------|---------------|-------|
| | Bit 3 | Bit 2 | Bit 3 | Bit 2 | Bit 3 | Bit 2 | Bit 3 | Bit 2 |
| Instruction cycle time | 0 | 0 | 0 | 1 | 1 | 0 | 1 | 1 |
| | CL0 | | CL1 | | CL2 | | CL3* | |
| 10 μs | 256 Hz | | 195.3 Hz | | 24.4 Hz | | 12.2 Hz/32 Hz | |
| 1 μs | 256 Hz | | 1953 Hz | | 244 Hz | | 122 Hz/32 Hz | |

| 1/3 Duty Cycle | LMR | | | | | | | |
|------------------------|----------|-------|----------|-------|----------|-------|-----------------|-------|
| | Bit 3 | Bit 2 | Bit 3 | Bit 2 | Bit 3 | Bit 2 | Bit 3 | Bit 2 |
| Instruction cycle time | 0 | 0 | 0 | 1 | 1 | 0 | 1 | 1 |
| | CL0 | | CL1 | | CL2 | | CL3* | |
| 10 μs | 170.6 Hz | | 130.2 Hz | | 16.3 Hz | | 8.1 Hz/21.3 Hz | |
| 1 μs | 170.6 Hz | | 1302 Hz | | 162.6 Hz | | 81.3 Hz/21.3 Hz | |

| 1/4 Duty Cycle | LMR | | | | | | | |
|------------------------|--------|-------|---------|-------|---------|-------|--------------|-------|
| | Bit 3 | Bit 2 | Bit 3 | Bit 2 | Bit 3 | Bit 2 | Bit 3 | Bit 2 |
| Instruction cycle time | 0 | 0 | 0 | 1 | 1 | 0 | 1 | 1 |
| | CL0 | | CL1 | | CL2 | | CL3* | |
| 10 μs | 128 Hz | | 97.7 Hz | | 12.2 Hz | | 6.1 Hz/16 Hz | |
| 1 μs | 128 Hz | | 977 Hz | | 122 Hz | | 61 Hz/16 Hz | |

Note: * Division ratio differs depending on the value of bit 3 of timer mode register A (TMA3 = 0/TMA3 = 1).
 If TMA3 = 0, CL3 = f_{cy} x duty cycle/4096; if TMA3 = 1, CL3 = 32.768 kHz x duty cycle/512.

HD404818 Series

Large LCD Panel Driving and Driving Voltage (V_{LCD}): When using a large LCD panel, lower the dividing resistance by attaching external resistors in parallel with the internal dividing resistors (figure 37).

Since the liquid crystal display board is of a matrix configuration, the path of the charge/discharge current through the load capacitors is very complicated. Moreover, since it varies depending on display conditions, the value of resistance cannot be determined by simply referring to the load capacitance of the liquid crystal display. The value of resistance must be experimentally determined according to the demand for power consumption of the equipment in which the liquid crystal display is implemented. Capacitor C (0.1 to 0.3 μF) is recommended to be attached. In general, R is 1 k Ω to 10 k Ω .

Figure 37 shows a connection when changing the liquid crystal driving voltage (V_{LCD}). In this case, the power supply switch for the dividing resistors (power switch) must be turned off. (Bit 1 of the LCR register is 0.)

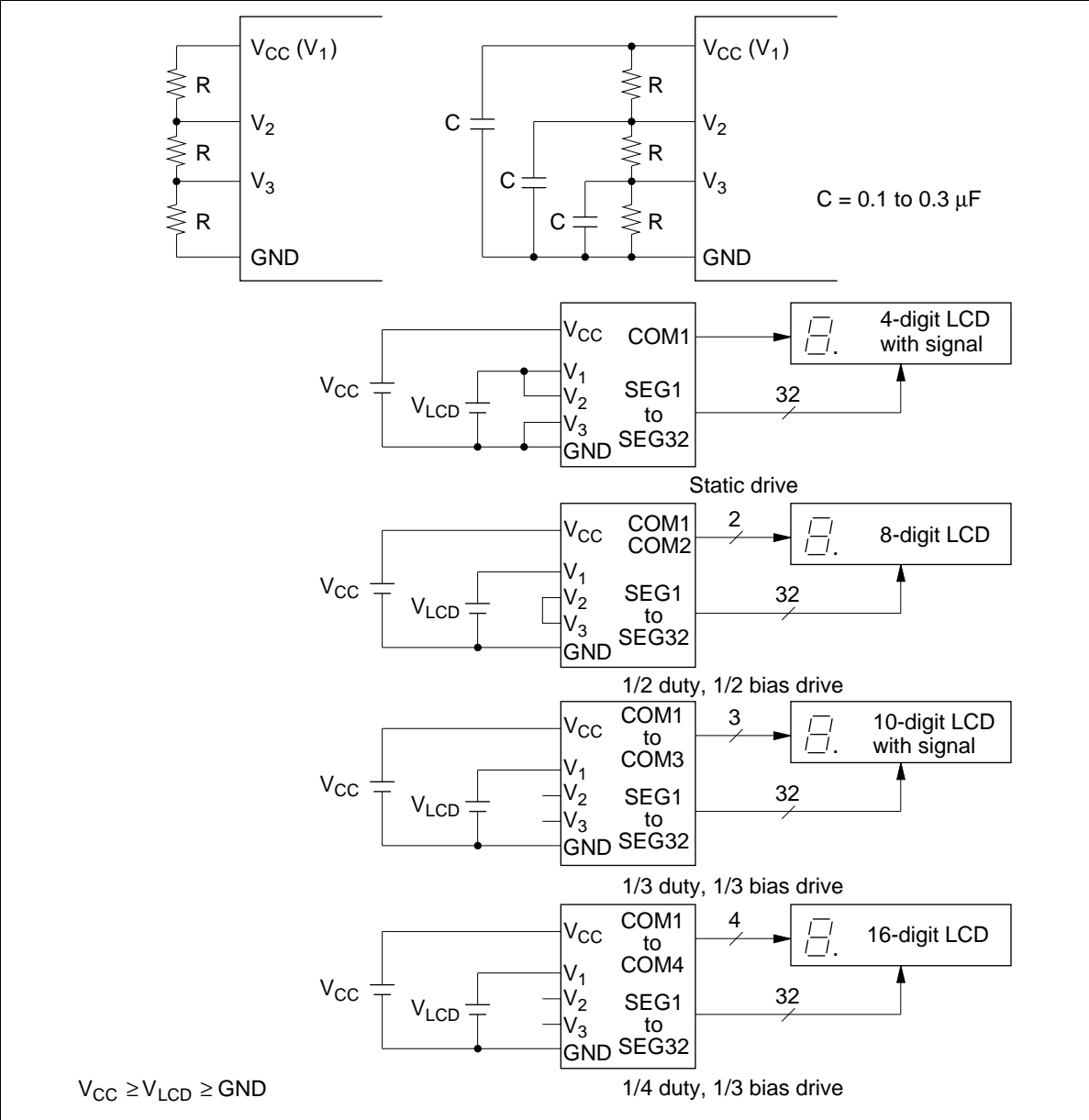


Figure 37 Examples of LCD Connections

HD404818 Series

Pin Description in PROM Mode

The HD4074818 and HD407L4818 are ZTAT™ microcomputers incorporating a PROM. In the PROM mode, the MCU does not operate and the HD4074818 and HD407L4818 can program the on-chip PROM.

| Pin Number | | MCU Mode | | PROM Mode | | Pin Number | | MCU Mode | | PROM Mode | |
|------------|------------------|------------------------------------|-----|-----------------|-----|------------|------------------|-----------------------------------|-----|-----------------|-----|
| FP-80B | FP-80A TFP-80 | Pin Name | I/O | Pin Name | I/O | FP-80B | FP-80A TFP-80 | Pin Name | I/O | Pin Name | I/O |
| 1 | 79 | D ₂ | I/O | O ₂ | I/O | 28 | 26 | R2 ₃ | I/O | A ₁₂ | I |
| 2 | 80 | D ₃ | I/O | O ₃ | I/O | 29 | 27 | R3 ₀ | I/O | A ₁₃ | I |
| 3 | 1 | D ₄ | I/O | O ₄ | I/O | 30 | 28 | R3 ₁ /TIMO | I/O | A ₁₄ | I |
| 4 | 2 | D ₅ | I/O | O ₅ | I/O | 31 | 29 | R3 ₂ /INT ₀ | I/O | CE | I |
| 5 | 3 | D ₆ | I/O | O ₆ | I/O | 32 | 30 | R3 ₃ /INT ₁ | I/O | OE | I |
| 6 | 4 | D ₇ | I/O | O ₇ | I/O | 33 | 31 | SEG1 | O | | |
| 7 | 5 | D ₈ | I/O | | | 34 | 32 | SEG2 | O | | |
| 8 | 6 | D ₉ | I/O | | | 35 | 33 | SEG3 | O | | |
| 9 | 7 | D ₁₀ | I | V _{PP} | | 36 | 34 | SEG4 | O | | |
| 10 | 8 | D ₁₁ /V _{Cref} | I | A ₉ | I | 37 | 35 | SEG5 | O | | |
| 11 | 9 | D ₁₂ /COMP ₀ | I | M ₀ | I | 38 | 36 | SEG6 | O | | |
| 12 | 10 | D ₁₃ /COMP ₁ | I | M ₁ | I | 39 | 37 | SEG7 | O | | |
| 13 | 11 | TEST | I | TEST | I | 40 | 38 | SEG8 | O | | |
| 14 | 12 | X1 | I | GND | | 41 | 39 | SEG9 | O | | |
| 15 | 13 | X2 | O | | | 42 | 40 | SEG10 | O | | |
| 16 | 14 | GND | | GND | | 43 | 41 | SEG11 | O | | |
| 17 | 15 | R0 ₀ /SCK | I/O | A ₁ | I | 44 | 42 | SEG12 | O | | |
| 18 | 16 | R0 ₁ /SI | I/O | A ₂ | I | 45 | 43 | SEG13 | O | | |
| 19 | 17 | R0 ₂ /SO | I/O | A ₃ | I | 46 | 44 | SEG14 | O | | |
| 20 | 18 | R0 ₃ | I/O | A ₄ | I | 47 | 45 | SEG15 | O | | |
| 21 | 19 | R1 ₀ | I/O | A ₅ | I | 48 | 46 | SEG16 | O | | |
| 22 | 20 | R1 ₁ | I/O | A ₆ | I | 49 | 47 | SEG17 | O | | |
| 23 | 21 | R1 ₂ | I/O | A ₇ | I | 50 | 48 | SEG18 | O | | |
| 24 | 22 | R1 ₃ | I/O | A ₈ | I | 51 | 49 | SEG19 | O | | |
| 25 | 23 | R2 ₀ | I/O | A ₀ | I | 52 | 50 | SEG20 | O | | |
| 26 | 24 | R2 ₁ | I/O | A ₁₀ | I | 53 | 51 | SEG21 | O | | |
| 27 | 25 | R2 ₂ | I/O | A ₁₁ | I | 54 | 52 | SEG22 | O | | |

HD404818 Series

| Pin Number | | MCU Mode | | PROM Mode | | Pin Number | | MCU Mode | | PROM Mode | |
|------------|------------------|----------|-----|-----------|-----|------------|------------------|------------------|-----|-----------------|-----|
| FP-80B | FP-80A TFP-80 | Pin Name | I/O | Pin Name | I/O | FP-80B | FP-80A TFP-80 | Pin Name | I/O | Pin Name | I/O |
| 55 | 53 | SEG23 | O | | | 68 | 66 | COM4 | O | | |
| 56 | 54 | SEG24 | O | | | 69 | 67 | V ₁ | | | |
| 57 | 55 | SEG25 | O | | | 70 | 68 | V ₂ | | | |
| 58 | 56 | SEG26 | O | | | 71 | 69 | V ₃ | | V _{CC} | |
| 59 | 57 | SEG27 | O | | | 72 | 70 | NUMO | | | |
| 60 | 58 | SEG28 | O | | | 73 | 71 | NUMO | | | |
| 61 | 59 | SEG29 | O | | | 74 | 72 | NUMG | | V _{CC} | |
| 62 | 60 | SEG30 | O | | | 75 | 73 | V _{CC} | | V _{CC} | |
| 63 | 61 | SEG31 | O | | | 76 | 74 | OSC ₁ | I | V _{CC} | |
| 64 | 62 | SEG32 | O | | | 77 | 75 | OSC ₂ | O | | |
| 65 | 63 | COM1 | O | | | 78 | 76 | RESET | I | RESET | I |
| 66 | 64 | COM2 | O | | | 79 | 77 | D ₀ | I/O | O ₀ | I/O |
| 67 | 65 | COM3 | O | | | 80 | 78 | D ₁ | I/O | O ₁ | I/O |

Note: I/O: Input/output pin, I: Input pin, O: Output pin

HD404818 Series

Programmable ROM Operation

The MCU on-chip PROM is programmed in PROM mode. PROM mode is set by pulling $\overline{\text{TEST}}$, $\overline{\text{M}}_0$, and $\overline{\text{M}}_1$ low, and RESET high, as shown in figure 38. In PROM mode, the MCU does not operate. It can be programmed like a standard 27256 EPROM using a standard PROM programmer and an 80-to-28-pin socket adapter. Table 31 lists the recommended PROM programmers and socket adapters.

Since an instruction of the HMCS400 series consists of 10 bits, the HMCS400 series microcomputer incorporates a conversion circuit to enable the use of a general-purpose PROM programmer. By this circuit, an instruction is read or programmed using two addresses, a lower 5 bits and upper 5 bits. For example, if 8 kwords of on-chip PROM are programmed by a general-purpose PROM programmer, 16 kbytes of addresses (\$0000–\$3FFF) should be specified.

Programming and Verification

The MCU can be programmed at high speed without causing voltage stress or affecting data reliability.

Table 30 shows how programming and verification modes are selected.

Precautions

1. Addresses \$0000 to \$3FFF must be specified if the PROM is programmed by a PROM programmer. If addresses of \$4000 or higher are accessed, the PROM may not be programmed or verified. Note that plastic package types cannot be erased and reprogrammed. Data in unused addresses must be set to \$FF.
2. Ensure that the PROM programmer, socket adapter, and LSI match. Using the wrong programmer for the socket adapter may cause an overvoltage and damage the LSI. Make sure that the LSI is firmly fixed in the socket adapter, and that the socket adapter is firmly fixed onto the programmer.
3. The PROM should be programmed with $V_{PP} = 12.5$ V. Other PROMs use 21 V. If 21 V is applied to the MCU, the LSI may be permanently damaged. 12.5 V is the Intel 27256 setting.

Table 30 PROM Mode Selection

| Mode | Pin | | | |
|-----------------------|------------------------|------------------------|----------|---------------------------------|
| | $\overline{\text{CE}}$ | $\overline{\text{OE}}$ | V_{PP} | $\text{O}_0\text{--}\text{O}_7$ |
| Programming | Low | High | V_{PP} | Data input |
| Verify | High | Low | V_{PP} | Data output |
| Programming inhibited | High | High | V_{PP} | High impedance |

Table 31 PROM Programmings and Socket Adapters

| PROM Programmer | | Socket Adapter | | |
|-----------------|-------------|----------------|-------------|--------------|
| Manufacturer | Type Name | Manufacturer | Type Name | Package Type |
| DATA I/O | 121B 29B | Hitachi | HS460ESF01H | FP-80B |
| | | | HS460ESH01H | FP-80A |
| | | | HS461EST01H | TFP-80 |
| AVAL Corp. | PKW-1000 | Hitachi | HS460ESF01H | FP-80B |
| | | | HS460ESH01H | FP-80A |
| | | | HS461EST01H | TFP-80 |

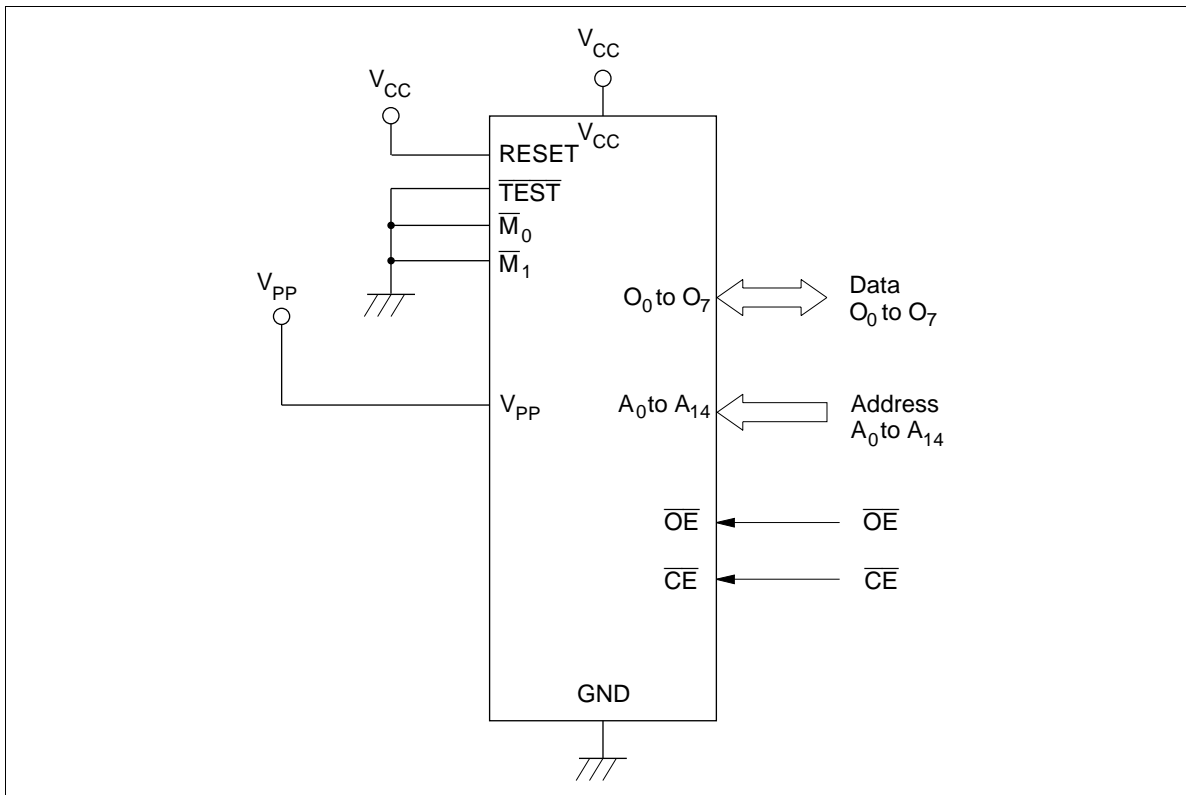


Figure 38 PROM Mode Function Diagram

Addressing Modes

RAM Addressing Modes

As shown in figure 39, the MCU has three RAM addressing modes: register indirect addressing, direct addressing, and memory register addressing.

Register Indirect Addressing Mode: The W register, X register, and Y register contents (10 bits total) are used as the RAM address.

Direct Addressing Mode: A direct addressing instruction consists of two words, with the word (10 bits) following the opcode used as the RAM address.

Memory Register Addressing Mode: The memory registers (16 digits from \$040 to \$04F) are accessed by executing the LAMR and XMRA instructions.

ROM Addressing Modes and the P Instruction

The MCU has four kinds of ROM addressing modes as shown in figure 40.

Direct Addressing Mode: The program can branch to any address in ROM memory space by executing the JMPL, BRL, or CALL instruction. These instructions replace the 14 program counter bits (PC_{13} to PC_0) with 14-bit immediate data.

Current Page Addressing Mode: The MCU has 32 pages of ROM with 256 words per page. By executing the BR instruction, the program can branch to an address in the current page. This instruction replaces the lower eight bits of the program counter (PC_7 to PC_0) with 8-bit immediate data.

When the BR instruction is on a page boundary ($256n + 255$) (figure 41), executing it transfers the PC contents to the next page according to the hardware architecture. Consequently, the program branches to the next page when the BR instruction is used on a page boundary. The HMCS400 series cross macroassembler has an automatic paging facility for ROM pages.

Zero-Page Addressing Mode: By executing the CAL instruction, the program can branch to the zero-page subroutine area, which is located at \$0000–\$003F. When the CAL instruction is executed, 6-bit immediate data is placed in the lower six bits of the program counter (PC_5 to PC_0) and 0s are placed in the higher eight bits (PC_{13} to PC_6).

Table Data Addressing Mode: By executing the TBR instruction, the program can branch to the address determined by the contents of the 4-bit immediate data, accumulator, and B register.

P Instruction: ROM data addressed by table data addressing can be referenced by the P instruction (figure 42). When bit 8 in the referred ROM data is 1, eight bits of ROM data are written into the accumulator and B register. When bit 9 is 1, eight bits of ROM data is written into the R1 and R2 port output registers. When both bits 8 and 9 are 1, ROM data is written into the accumulator and B register, and also to the R1 and R2 port output registers at the same time.

The P instruction has no effect on the program counter.

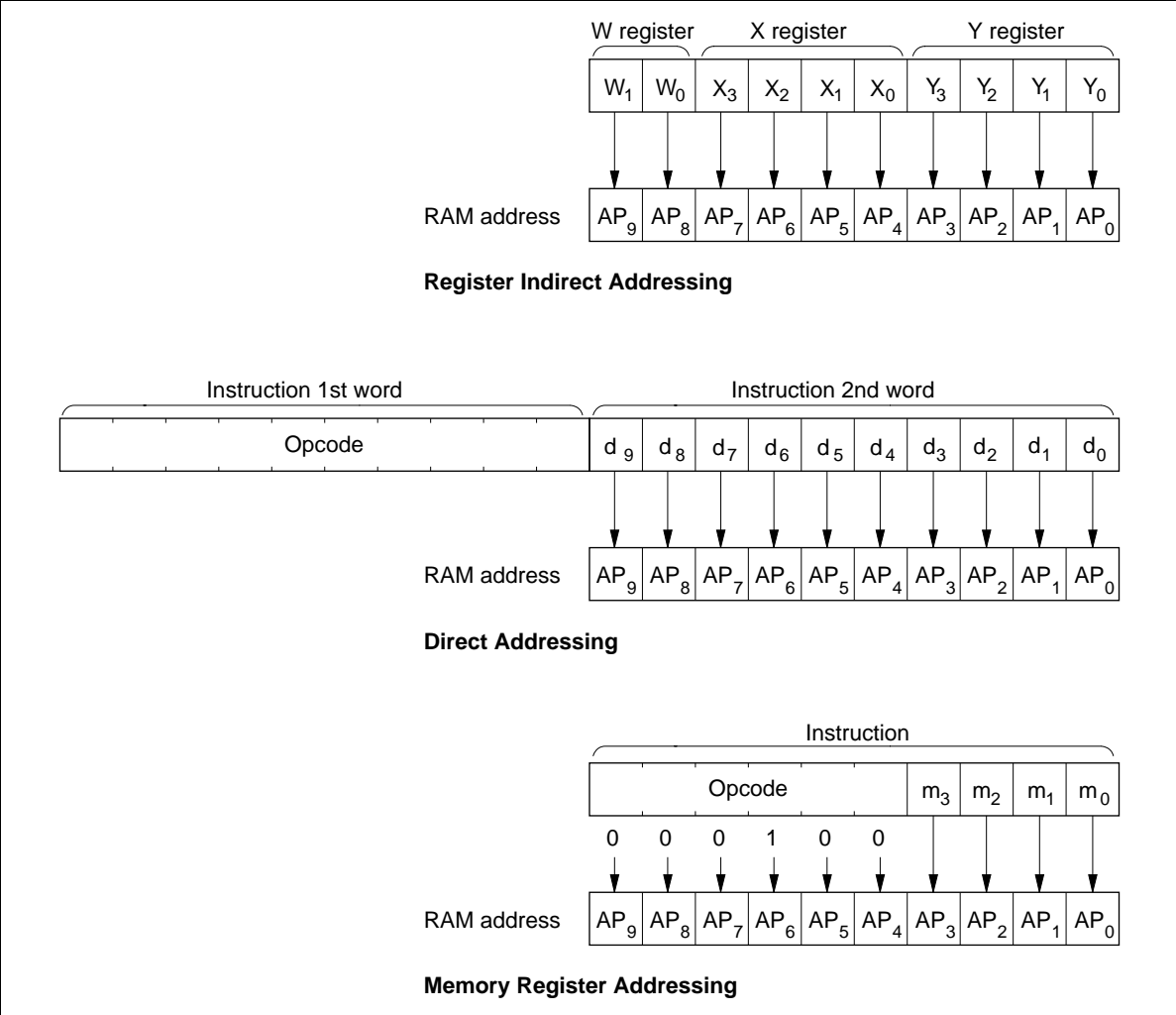


Figure 39 RAM Addressing Modes

HD404818 Series

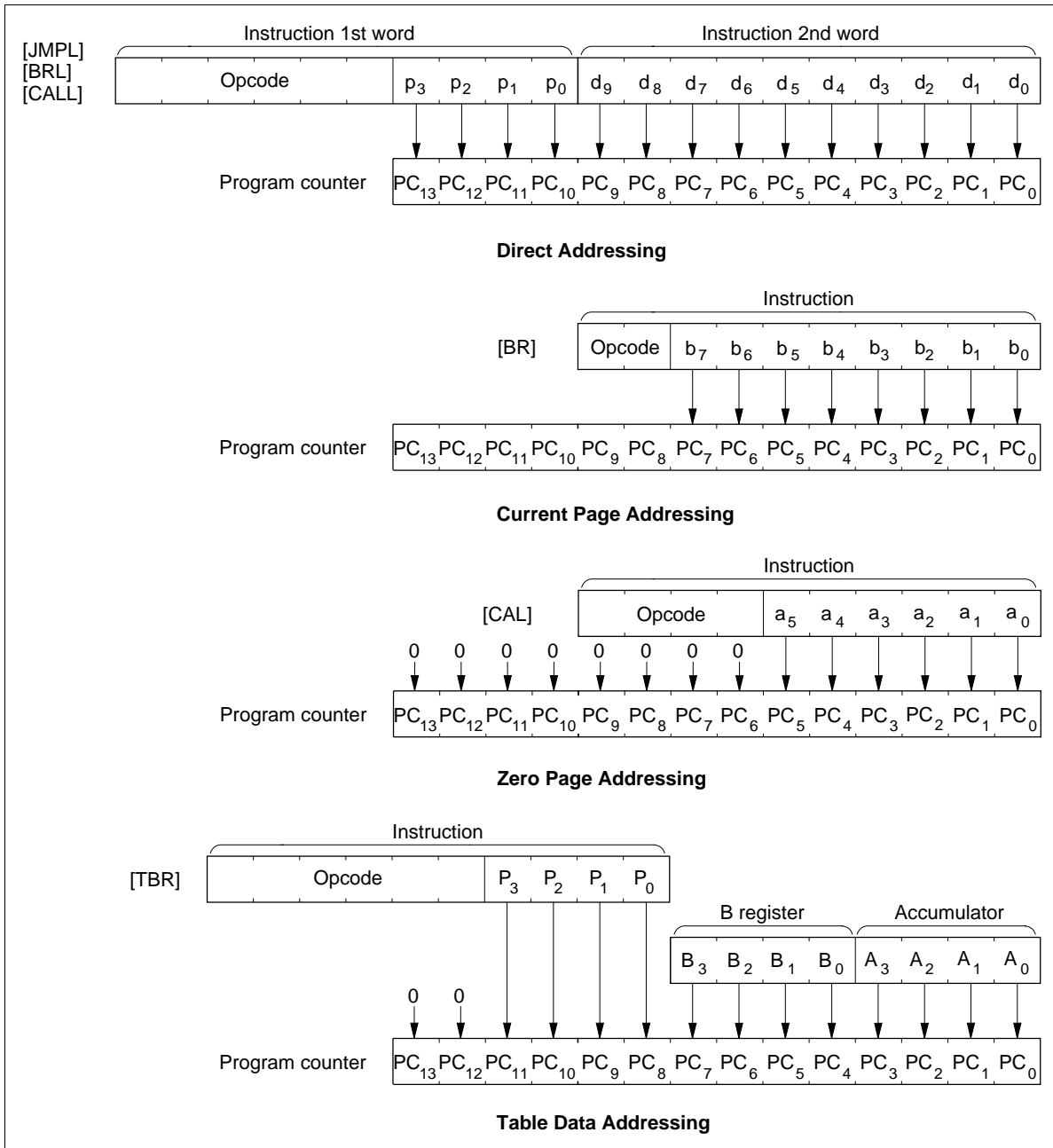


Figure 40 ROM Addressing Modes

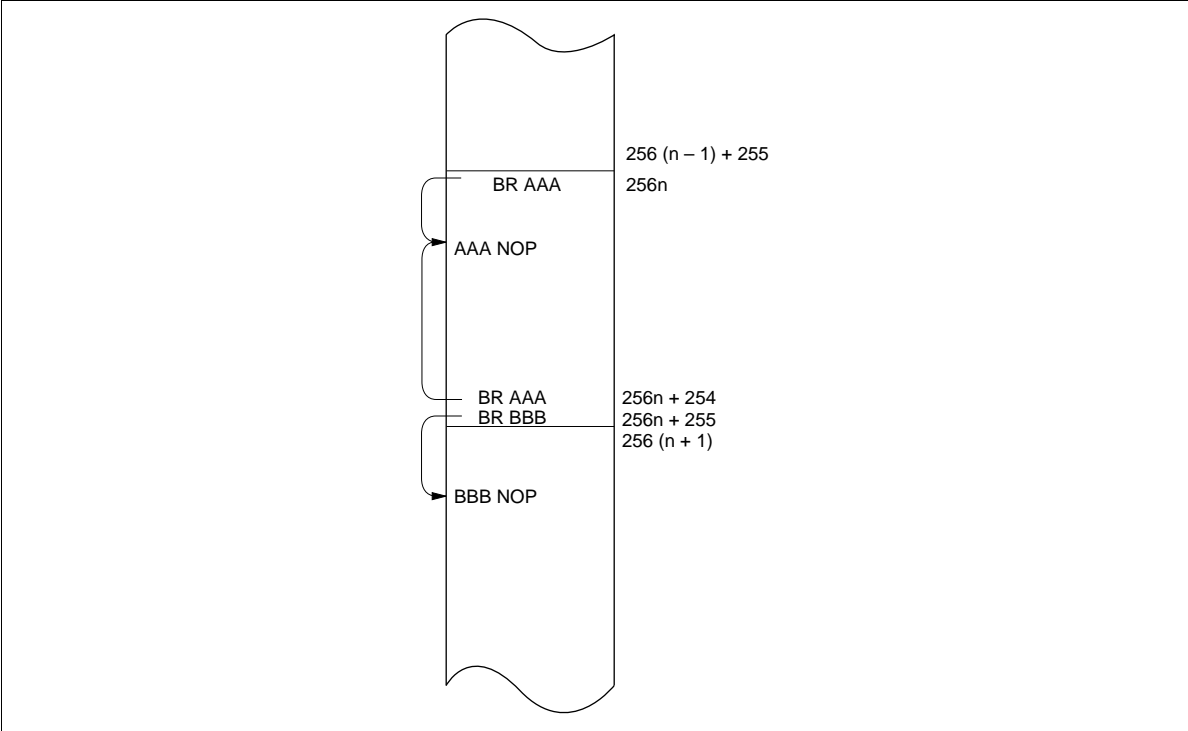


Figure 41 Page Boundary between BR Instruction and Branch Destination

HD404818 Series

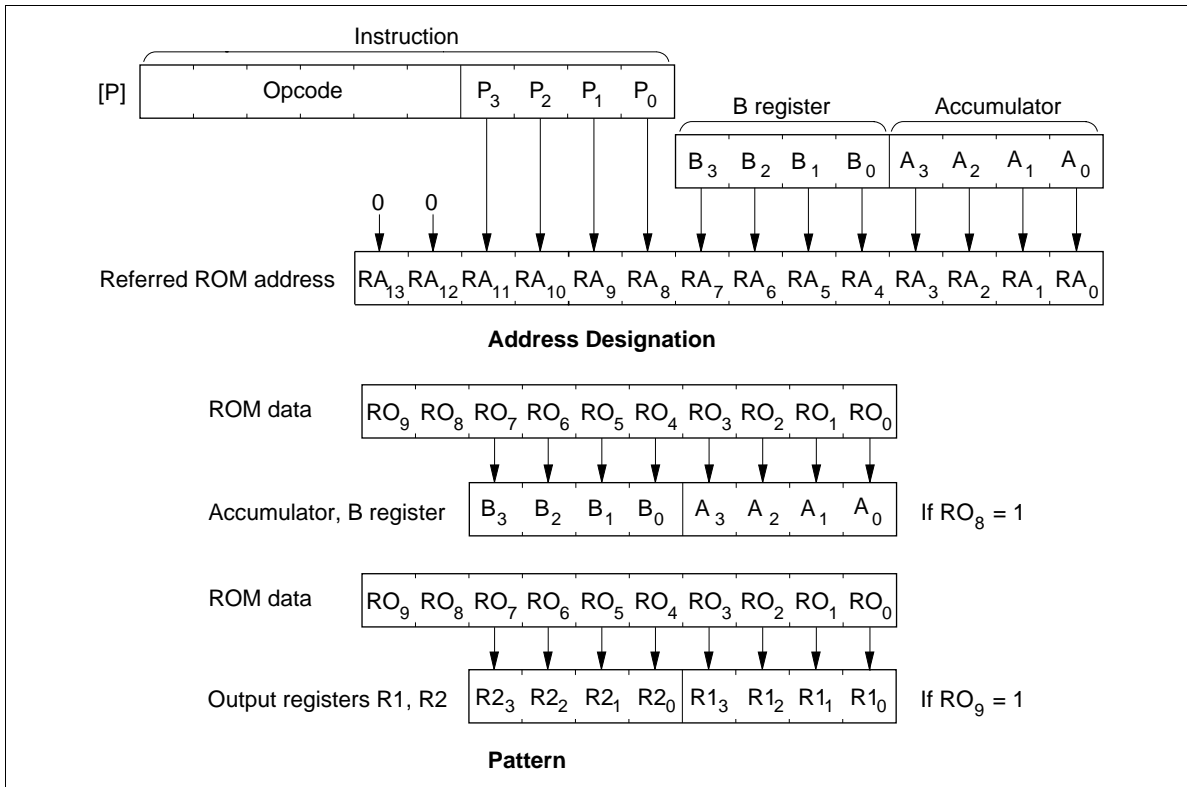


Figure 42 P Instruction

Absolute Maximum Ratings
HD404812, HD404814, HD404816, HD404818, and HD4074818 Absolute Maximum Ratings

| Item | Symbol | Value | Unit | Notes |
|----------------------------------|-------------|------------------------|------|-------|
| Supply voltage | V_{CC} | -0.3 to +7.0 | V | |
| Programming voltage | V_{PP} | -0.3 to +14.0 | V | 1 |
| Pin voltage | V_T | -0.3 to $V_{CC} + 0.3$ | V | |
| Total permissible input current | $\sum I_o$ | 100 | mA | 2 |
| Total permissible output current | $-\sum I_o$ | 50 | mA | 3 |
| Maximum input current | I_o | 4 | mA | 4, 5 |
| | | 30 | mA | 4, 6 |
| Maximum output current | $-I_o$ | 4 | mA | 7, 8 |
| Operating temperature | T_{opr} | -20 to +75 | °C | |
| Storage temperature | T_{stg} | -55 to +125 | °C | |

Notes: Permanent damage may occur if these absolute maximum ratings are exceeded. Normal operation should be under the conditions of the electrical characteristics. If these conditions are exceeded, it may cause a malfunction or affect the reliability of the LSI.

1. D_{10} (V_{PP}) of the HD4074818.
2. Total permissible input current is the sum of the input currents which flow in from all I/O pins to GND simultaneously.
3. Total permissible output current is the sum of the output currents which flow out from V_{CC} to all I/O pins simultaneously.
4. Maximum input current is the maximum amount of input current from each I/O pin to GND.
5. R0–R3.
6. D_0 – D_9 .
7. Maximum output current is the maximum amount of output current from V_{CC} to each I/O pin.
8. D_0 – D_9 and R0–R3.

HD404818 Series

HD40L4812, HD40L4814, HD40L4816, HD40L4818, and HD407L4818 Absolute Maximum Ratings

| Item | Symbol | Value | Unit | Notes |
|----------------------------------|-------------|------------------------|------|-------|
| Supply voltage | V_{CC} | -0.3 to +7.0 | V | |
| Programming voltage | V_{PP} | -0.3 to +14.0 | V | 1 |
| Pin voltage | V_T | -0.3 to $V_{CC} + 0.3$ | V | |
| Total permissible input current | $\sum I_o$ | 100 | mA | 2 |
| Total permissible output current | $-\sum I_o$ | 50 | mA | 3 |
| Maximum input current | I_o | 4 | mA | 4, 5 |
| | | 30 | mA | 4, 6 |
| Maximum output current | $-I_o$ | 4 | mA | 7, 8 |
| Operating temperature | T_{opr} | -20 to +75 | °C | |
| Storage temperature | T_{stg} | -55 to +125 | °C | |

Notes: Permanent damage may occur if these absolute maximum ratings are exceeded. Normal operation should be under the conditions of the electrical characteristics. If these conditions are exceeded, it may cause a malfunction or affect the reliability of the LSI.

1. D_{10} (V_{PP}) of the HD407L4818.
2. Total permissible input current is the sum of the input currents which flow in from all I/O pins to GND simultaneously.
3. Total permissible output current is the sum of the output currents which flow out from V_{CC} to all I/O pins simultaneously.
4. Maximum input current is the maximum amount of input current from each I/O pin to GND.
5. R0–R3.
6. D_0 – D_9 .
7. Maximum output current is the maximum amount of output current from V_{CC} to each I/O pin.
8. D_0 – D_9 and R0–R3.

Electrical Characteristics for Standard-Voltage
HD404812, HD404814, HD404816, HD404818, and HD4074818 Electrical Characteristics

DC Characteristics (HD404812, HD404814, HD404816, HD404818: $V_{CC} = 4$ to 6 V; HD4074818: $V_{CC} = 4$ to 5.5 V; $GND = 0$ V, $T_a = -20^{\circ}\text{C}$ to $+75^{\circ}\text{C}$, unless otherwise specified)

| Item | Symbol | Pin | Min | Typ | Max | Unit | Test Condition | Notes |
|---------------------------------------|------------|--|----------------|-----|----------------|---------------|--------------------------------------|-------|
| Input high voltage | V_{IH} | RESET, $\overline{\text{SCK}}$, $\overline{\text{INT}}_0$, SI, $\overline{\text{INT}}_1$ | $0.8V_{CC}$ | | $V_{CC} + 0.3$ | V | | |
| | | OSC ₁ | $V_{CC} - 0.5$ | | $V_{CC} + 0.3$ | V | | |
| Input low voltage | V_{IL} | RESET, $\overline{\text{SCK}}$, $\overline{\text{INT}}_0$, SI, $\overline{\text{INT}}_1$ | -0.3 | | $0.2V_{CC}$ | V | | |
| | | OSC ₁ | -0.3 | | 0.5 | V | | |
| Output high voltage | V_{OH} | $\overline{\text{SCK}}$, TIMO, SO | $V_{CC} - 1.0$ | | | V | $-I_{OH} = 1.0$ mA | |
| Output low voltage | V_{OL} | $\overline{\text{SCK}}$, TIMO, SO | | | 0.4 | V | $I_{OL} = 1.6$ mA | |
| Input/output leakage current | $ I_{IL} $ | RESET, $\overline{\text{SCK}}$, $\overline{\text{INT}}_0$, $\overline{\text{INT}}_1$, SI, SO, TIMO, OSC ₁ | | | 1 | μA | $V_{in} = 0$ V to V_{CC} | 1 |
| Stop mode retaining voltage | V_{STOP} | V_{CC} | 2 | | | V | Without 32-kHz oscillator | 4 |
| Current dissipation in active mode | I_{CC1} | V_{CC} | | 3.5 | 7 | mA | $V_{CC} = 5$ V, $f_{OSC} = 4$ MHz | 2 |
| | I_{CC2} | V_{CC} | | 6 | 12 | mA | $V_{CC} = 5$ V, $f_{OSC} = 4$ MHz | 5 |
| Current dissipation in standby mode | I_{SBY} | V_{CC} | | 1 | 2 | mA | $V_{CC} = 5$ V, $f_{OSC} = 4$ MHz | 3 |
| Current dissipation in subactive mode | I_{SUB} | V_{CC} | | 150 | 300 | μA | $V_{CC} = 5$ V, LCD: On | |
| | | | | 75 | 150 | μA | | 6 |

HD404818 Series

| Item | Symbol | Pin | Min | Typ | Max | Unit | Test Condition | Notes |
|---------------------------------------|------------|----------|-----|-----|-----|---------|---|-------|
| Current dissipation in watch mode (1) | I_{WTC1} | V_{CC} | | 10 | 20 | μA | $V_{CC} = 5 V$, LCD: Off | |
| Current dissipation in watch mode (2) | I_{WTC2} | V_{CC} | | 25 | 50 | μA | $V_{CC} = 5 V$, LCD: On | |
| Current dissipation in stop mode | I_{STOP} | V_{CC} | | 1 | 10 | μA | $V_{CC} = 5 V$, Without 32-kHz oscillator | |

- Notes:
- Excluding output buffer current.
 - The MCU is in the reset state. Input/output current does not flow.
 - MCU in reset state
 - RESET, \overline{TEST} : V_{CC}
 - The timer operates and input/output current does not flow.
 - MCU in standby mode
 - Input/output in reset state
 - Serial interface: Stop
 - RESET: GND
 - \overline{TEST} : V_{CC}
 - D_{12} , D_{13} : Digital input mode
 - RAM data retention.
 - D_{12}/D_{13} is in the analog input mode.
Input/output current does not flow. $V_{C_{ref}}$, D_{12} , D_{13} : GND
 - Applies to the HD404812, HD404814, HD404816, and HD404818.

HD404818 Series

Input/Output Characteristics for Standard Pins (HD404812, HD404814, HD404816, HD404818: $V_{CC} = 4$ to 6 V; HD4074818: $V_{CC} = 4$ to 5.5 V; GND = 0 V, $T_a = -20^\circ\text{C}$ to $+75^\circ\text{C}$, unless otherwise specified)

| Item | Symbol | Pin | Min | Typ | Max | Unit | Test Condition | Notes |
|------------------------------|---------------|--|---------------------|-----|---------------------|----------------------------|-----------------------------------|-------|
| Input high voltage | V_{IH} | D ₁₀ –D ₁₃ , R0–R3 | $0.7V_{CC}$ | | $V_{CC} + 0.3$ | V | | |
| Input low voltage | V_{IL} | D ₁₀ –D ₁₃ , R0–R3 | -0.3 | | $0.3V_{CC}$ | V | | |
| Output high voltage | V_{OH} | R0–R3 | $V_{CC} - 1.0$ | | | V | $-I_{OH} = 1.0$ mA | |
| Pull-up MOS current | $-I_{PU}$ | R0–R3 | 30 | 100 | 180 | μA | $V_{CC} = 5$ V, $V_{in} = 0$ V | |
| Output low voltage | V_{OL} | R0–R3 | | | 0.4 | V | $I_{OL} = 1.6$ mA | |
| Input/output leakage current | $ I_{IL} $ | D ₁₁ –D ₁₃ , R0–R3 | | | 1 | μA | $V_{in} = 0$ V to V_{CC} | 1 |
| | | | | | 1 | μA | $V_{in} = 0$ V to V_{CC} | 2 |
| | | D ₁₀ | | 20 | μA | $V_{in} = 0$ V to V_{CC} | 3 | |
| Input high voltage | V_{IHA} | D ₁₂ , D ₁₃ (analog compare mode) | $V_{C_{ref}} + 0.1$ | | | V | | |
| Input low voltage | V_{ILA} | D ₁₂ , D ₁₃ (analog compare mode) | | | $V_{C_{ref}} - 0.1$ | V | | |
| Analog input voltage | $V_{C_{ref}}$ | | 0 | | $V_{CC} - 1.2$ | V | | |

- Notes: 1. Output buffer current is excluded.
 2. Applies to HD404812, HD404814, HD404816, and HD404818.
 3. Applies to HD4074818.

HD404818 Series

Input/Output Characteristics for High-Current Pins (HD404812, HD404814, HD404816, HD404818: $V_{CC} = 4$ to 6 V; HD4074818: $V_{CC} = 4$ to 5.5 V; GND = 0V, $T_a = -20^\circ\text{C}$ to $+75^\circ\text{C}$, unless otherwise specified)

| Item | Symbol | Pin | Min | Typ | Max | Unit | Test Condition | |
|-------------------------------|------------|---------------|----------------|-----|----------------|---------------|-----------------------------------|--|
| Input high voltage | V_{IH} | D_0 – D_9 | $0.7V_{CC}$ | | $V_{CC} + 0.3$ | V | | |
| Input low voltage | V_{IL} | D_0 – D_9 | -0.3 | | $0.3V_{CC}$ | V | | |
| Output high voltage | V_{OH} | D_0 – D_9 | $V_{CC} - 1.0$ | | | V | $-I_{OH} = 1.0$ mA | |
| Pull-up MOS current | $-I_{PU}$ | D_0 – D_9 | 30 | 100 | 180 | μA | $V_{CC} = 5$ V, $V_{in} = 0$ V | |
| Output low voltage | V_{OL} | D_0 – D_9 | | | | 2.0 | V | $I_{OL} = 15$ mA, $V_{CC} = 4.5$ to 6 V |
| | | | | | | 0.4 | V | $I_{OL} = 1.6$ mA |
| Input/output leakage current* | $ I_{IL} $ | D_0 – D_9 | | | | 1 | μA | $V_{in} = 0$ V to V_{CC} |

Note: * Output buffer current is excluded.

Liquid Crystal Circuit Characteristics (HD404812, HD404814, HD404816, HD404818: $V_{CC} = 4$ to 6 V; HD4074818: $V_{CC} = 4$ to 5.5 V; GND = 0 V, $T_a = -20^\circ\text{C}$ to $+75^\circ\text{C}$, unless otherwise specified)

| Item | Symbol | Pin | Min | Typ | Max | Unit | Test Condition | Note |
|--------------------------------------|-----------|---------------|-----|-----|----------|------------------|-------------------------|------|
| Segment driver voltage drop | V_{DS} | SEG1 to SEG32 | | | 0.6 | V | $I_d = 3$ μA | 1 |
| Common driver voltage drop | V_{DC} | COM1 to COM4 | | | 0.3 | V | $I_d = 3$ μA | 1 |
| LCD power supply dividing resistance | R_W | | 100 | 300 | 900 | $\text{k}\Omega$ | | |
| LCD voltage | V_{LCD} | V_1 | 4 | | V_{CC} | V | | 2 |

Notes: 1. Voltage drops from pins V_1 , V_2 , V_3 , and GND to each segment and common pin.
2. Keep the relationship $V_{CC} \geq V_1 \geq V_2 \geq V_3 \geq \text{GND}$ when V_{LCD} is supplied by an external power supply.

HD404818 Series

AC Characteristics (HD404812, HD404814, HD404816, HD404818: $V_{CC} = 4$ to 6 V; HD4074818: $V_{CC} = 4$ to 5.5 V; $GND = 0$ V, $T_a = -20^\circ\text{C}$ to $+75^\circ\text{C}$, unless otherwise specified)

| Item | Symbol | Pin | Min | Typ | Max | Unit | Test Condition | Notes |
|-------------------------------|-----------|---|------|--------|-----|----------------------|---|-------|
| Oscillation frequency | f_{OSC} | OSC ₁ , OSC ₂ | 1.6 | 4.0 | 4.2 | MHz | | |
| | | X1, X2 | | 32.768 | | kHz | | |
| Oscillation frequency | f_{OSC} | OSC ₁ , OSC ₂ (without 32 kHz) | 0.25 | 4.0 | 4.2 | MHz | | |
| Instruction cycle time | t_{cyc} | | 0.95 | 1 | 2.5 | μs | | |
| | | | 0.95 | 1 | 16 | | Without 32 kHz | |
| Oscillator stabilization time | t_{RC} | OSC ₁ , OSC ₂ | | | 30 | ms | Crystal | 1 |
| | | | | | 7.5 | ms | Ceramic $f_{OSC} = 4$ MHz | 1 |
| | | X1, X2 | | | 3 | s | $T_a = -10^\circ$ to 60°C | 2 |
| External clock frequency | f_{CP} | OSC ₁ | 1.6 | | 4.2 | MHz | | 3 |
| | | | 0.25 | | 4.2 | MHz | Without 32 kHz | 3 |
| External clock high width | t_{CPH} | OSC ₁ | 110 | | | ns | | 3 |
| External clock low width | t_{CPL} | OSC ₁ | 110 | | | ns | | 3 |
| External clock rise time | t_{CPr} | OSC ₁ | | | 20 | ns | | 3 |
| External clock fall time | t_{CPf} | OSC ₁ | | | 20 | ns | | 3 |
| \overline{INT}_0 high width | t_{IH} | \overline{INT}_0 | 2 | | | t_{cyc}/t_{subcyc} | | 4, 6 |
| \overline{INT}_0 low width | t_{IL} | \overline{INT}_0 | 2 | | | t_{cyc}/t_{subcyc} | | 4, 6 |
| \overline{INT}_1 high width | t_{IH} | \overline{INT}_1 | 2 | | | t_{cyc} | | 4 |
| \overline{INT}_1 low width | t_{IL} | \overline{INT}_1 | 2 | | | t_{cyc} | | 4 |

HD404818 Series

| Item | Symbol | Pin | Min | Typ | Max | Unit | Test Condition | Notes |
|--------------------------------------|------------|-----------------------------------|-----|-----|-----|-----------|----------------------------------|-------|
| RESET high width | t_{RSTH} | RESET | 2 | | | t_{cyc} | | 5 |
| Input capacitance | C_{in} | D ₁₀ | | | 15 | pF | f = 1 MHz, V _{in} = 0 V | 8 |
| | | | | | 90 | pF | f = 1 MHz, V _{in} = 0 V | 9 |
| | | All pins except D ₁₀ | | | 15 | pF | f = 1 MHz, V _{in} = 0 V | |
| RESET fall time | t_{RSTf} | | | | 20 | ms | | 5 |
| Analog comparator stabilization time | t_{CSTB} | D ₁₂ , D ₁₃ | | | 2 | t_{cyc} | | 7 |

- Notes:
1. The oscillator stabilization time is the period up until the time the oscillator stabilizes after V_{CC} reaches 4.0 V at power-on, or after RESET goes high. At power-on or stop mode release, RESET must be kept high for at least t_{RC}. Since t_{RC} depends on the ceramic oscillator's circuit constant and stray capacitance, consult with the manufacturer when designing the reset circuit.
 2. The oscillator stabilization time is the period up until the time the oscillator stabilizes after V_{CC} reaches 4.0 V at power-on. The time required to stabilize the oscillator (t_{RC}) must be obtained. Since t_{RC} depends on the crystal circuit constant and stray capacitance, consult with the manufacturer.
 3. See figure 43.
 4. See figure 44. The unit t_{cyc} is applied when the MCU is in standby mode or active mode.
 5. See figure 45.
 6. See figure 44. The unit t_{subcyc} is applied when the MCU is in watch mode or subactive mode. t_{subcyc} = 244.14 μs (when a 32.768-kHz crystal oscillator is used)
 7. The analog comparator stabilization time is the period up until the analog comparator stabilizes and correct data can be read after placing D₁₂/D₁₃ into analog input mode.
 8. Applies to HD404812, HD404814, HD404816, and HD404818.
 9. Applies to HD4074818.

Serial Interface Timing Characteristics

During Transmit Clock Output (HD404812, HD404814, HD404816, HD404818: $V_{CC} = 4$ to 6 V; HD4074818: $V_{CC} = 4$ to 5.5 V; $GND = 0$ V, $T_a = -20^\circ\text{C}$ to $+75^\circ\text{C}$, unless otherwise specified)

| Item | Symbol | Pin | Min | Typ | Max | Unit | Test Condition | Notes |
|------------------------------------|------------------------------------|-------------------------|-----|-----|-----|--|----------------|---------|
| Transmit clock cycle time | t_{Scyc} | $\overline{\text{SCK}}$ | 1 | | | $t_{\text{cyc}}/$ t_{subcyc} | | 1, 2, 4 |
| Transmit clock high and low widths | $t_{\text{SCKH}}, t_{\text{SCKL}}$ | $\overline{\text{SCK}}$ | 0.5 | | | t_{Scyc} | | 1, 2 |
| Transmit clock rise and fall times | $t_{\text{SCKr}}, t_{\text{SCKf}}$ | $\overline{\text{SCK}}$ | | | 100 | ns | | 1, 2 |
| Serial output data delay time | t_{DSO} | SO | | | 300 | ns | | 1, 2 |
| Serial input data setup time | t_{SSI} | SI | 200 | | | ns | | 1 |
| Serial input data hold time | t_{HSI} | SI | 150 | | | ns | | 1 |

During Transmit Clock Input

| Item | Symbol | Pin | Min | Typ | Max | Unit | Test Condition | Notes |
|---------------------------------------|---|-------------------------|-----|-----|-----|--|----------------|------------|
| Transmit clock cycle time | t_{Scyc} | $\overline{\text{SCK}}$ | 1 | | | $t_{\text{cyc}}/$ t_{subcyc} | | 1, 4 |
| Transmit clock high and low widths | $t_{\text{SCKH}}, t_{\text{SCKL}}$ | $\overline{\text{SCK}}$ | 0.5 | | | t_{Scyc} | | 1 |
| Transmit clock rise and fall times | $t_{\text{SCKr}},$ t_{SCKf} | $\overline{\text{SCK}}$ | | | 100 | ns | | 1 |
| Serial output data delay time | t_{DSO} | SO | | | 300 | ns | | 1, 2 |
| Serial input data setup time | t_{SSI} | SI | 200 | | | ns | | 1 |
| Serial input data hold time | t_{HSI} | SI | 150 | | | ns | | 1 |
| Transmit clock completion detect time | t_{SCKHD} | $\overline{\text{SCK}}$ | 1 | | | $t_{\text{cyc}}/$ t_{subcyc} | | 1, 2, 3, 4 |

- Notes:
1. See figure 46.
 2. See figure 47.
 3. The transmit clock completion detect time is the high level period after 8 pulses of transmit clocks are input. The serial interrupt request flag is not set if the next transmit clock is input before the transmit clock completion detect time has passed.
 4. The unit t_{subcyc} is applied when the MCU is in subactive mode. $t_{\text{subcyc}} = 244.14 \mu\text{s}$ (for a 32.768-kHz crystal oscillator).

HD404818 Series

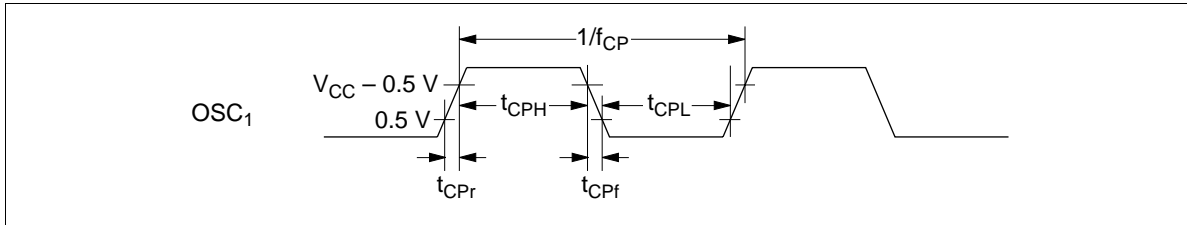


Figure 43 Oscillator Timing

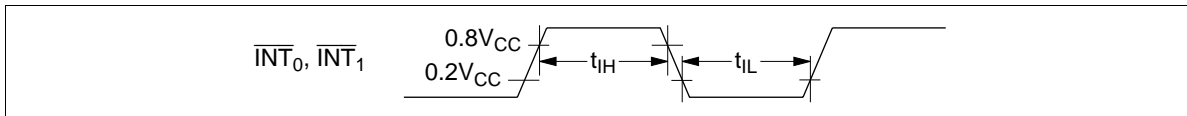


Figure 44 Interrupt Timing

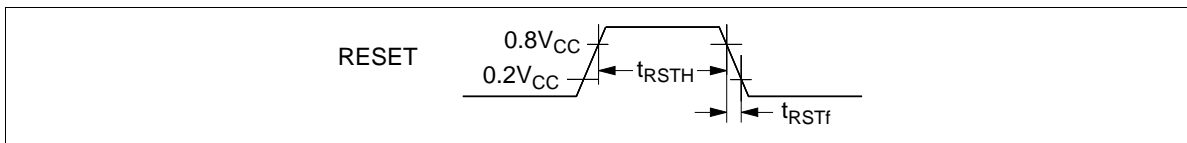


Figure 45 Reset Timing

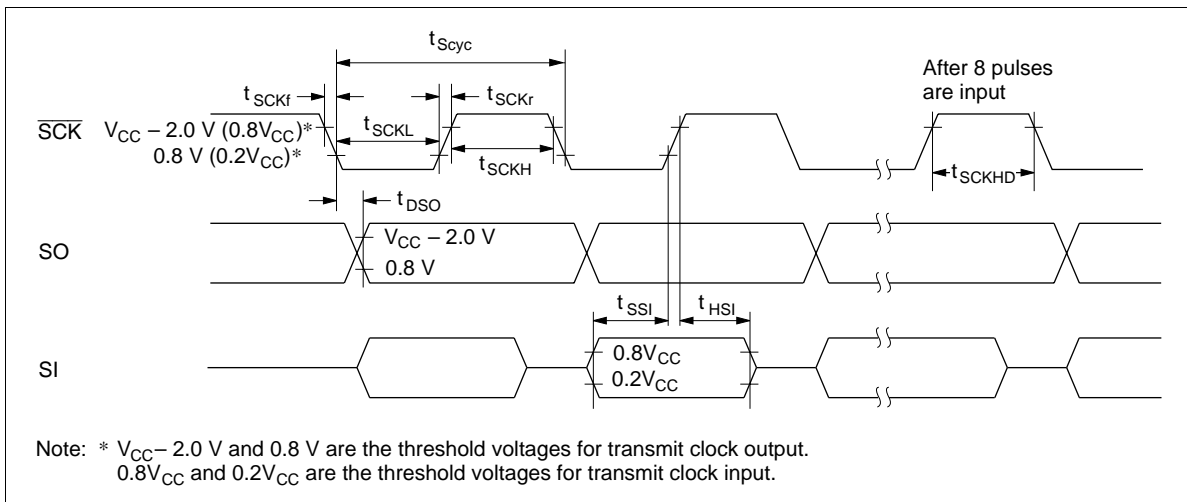


Figure 46 Serial Interface Timing

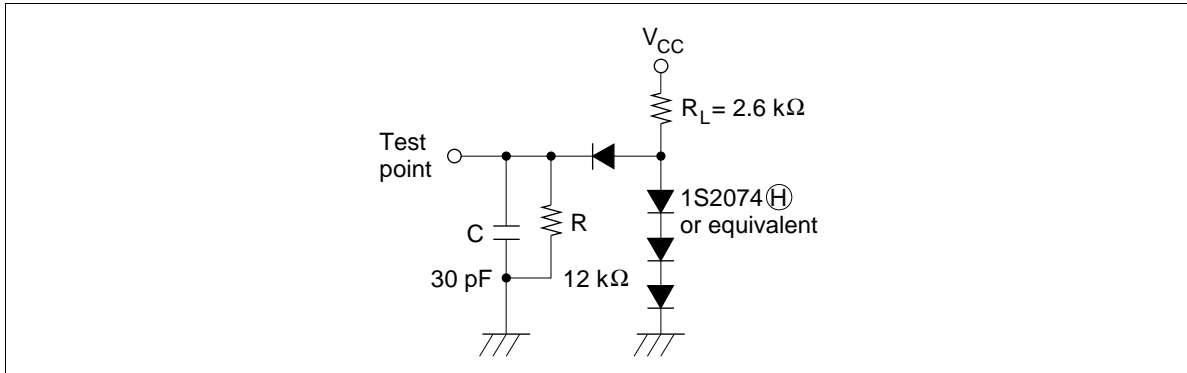


Figure 47 Timing Load Circuit

HD404818 Series

Electrical Characteristics for Low-Voltage Versions

HD40L4812, HD40L4814, HD40L4816, HD40L4818, and HD407L4818 Electrical Characteristics

DC Characteristics (HD40L4812, HD40L4814, HD40L4816, HD40L4818: $V_{CC} = 2.7$ to 6 V; HD407L4818: $V_{CC} = 3$ to 5.5 V; $GND = 0$ V, $T_a = -20^\circ\text{C}$ to $+75^\circ\text{C}$, unless otherwise specified)

| Item | Symbol | Pin | Min | Typ | Max | Unit | Test Condition | Notes |
|---------------------------------------|------------|---|----------------|-----|----------------|---------------|---|-------|
| Input high voltage | V_{IH} | RESET, \overline{SCK} , \overline{INT}_0 , SI, \overline{INT}_1 | $0.9V_{CC}$ | | $V_{CC} + 0.3$ | V | | |
| | | OSC ₁ | $V_{CC} - 0.3$ | | $V_{CC} + 0.3$ | V | | |
| Input low voltage | V_{IL} | RESET, \overline{SCK} , \overline{INT}_0 , SI, \overline{INT}_1 | -0.3 | | $0.1V_{CC}$ | V | | |
| | | OSC ₁ | -0.3 | | 0.3 | V | | |
| Output high voltage | V_{OH} | \overline{SCK} , TIMO, SO | $V_{CC} - 1.0$ | | | V | $-I_{OH} = 0.5$ mA | |
| Output low voltage | V_{OL} | \overline{SCK} , TIMO, SO | | | 0.4 | V | $I_{OL} = 0.4$ mA | |
| Input/output leakage current | $ I_{IL} $ | RESET, \overline{SCK} , \overline{INT}_0 , \overline{INT}_1 , SI, SO, TIMO, OSC ₁ | | | 1 | μA | $V_{in} = 0$ V to V_{CC} | 1 |
| Stop mode retaining voltage | V_{STOP} | V_{CC} | 2 | | | V | Without 32-kHz oscillator | 4 |
| Current dissipation in active mode | I_{CC1} | V_{CC} | | 400 | 1000 | μA | $V_{CC} = 3$ V, $f_{OSC} = 400$ kHz | 2 |
| | I_{CC2} | V_{CC} | | 1 | 2 | mA | $V_{CC} = 3$ V, $f_{OSC} = 400$ kHz, analog input mode (D ₁₂ /D ₁₃) | 5 |
| Current dissipation in standby mode | I_{SBY} | V_{CC} | | 200 | 500 | μA | $V_{CC} = 3$ V, $f_{OSC} = 400$ kHz | 3 |
| Current dissipation in subactive mode | I_{SUB} | V_{CC} | | 50 | 100 | μA | $V_{CC} = 3$ V, LCD: On | |
| | | | | 35 | 70 | μA | | 6 |

HD404818 Series

| Item | Symbol | Pin | Min | Typ | Max | Unit | Test Condition | Notes |
|---------------------------------------|------------|----------|-----|-----|-----|---------|---|-------|
| Current dissipation in watch mode (1) | I_{WTC1} | V_{CC} | | 5 | 15 | μA | $V_{CC} = 3 V$, LCD: Off | |
| Current dissipation in watch mode (2) | I_{WTC2} | V_{CC} | | 15 | 35 | μA | $V_{CC} = 3 V$, LCD: On | |
| Current dissipation in stop mode | I_{STOP} | V_{CC} | | 1 | 10 | μA | $V_{CC} = 3 V$, Without 32-kHz oscillator | |

- Notes:
1. Excluding output buffer current.
 2. The MCU is in the reset state. Input/output current does not flow.
 - MCU in reset state
 - RESET, \overline{TEST} : V_{CC}
 3. The timer operates and input/output current does not flow.
 - MCU in standby mode
 - Input/output in reset state
 - Serial interface: Stop
 - RESET: GND
 - \overline{TEST} : V_{CC}
 - D_0 – D_{13} , R0–R3: V_{CC}
 - D_{12} , D_{13} : Digital input mode
 4. RAM data retention.
 5. D_{12}/D_{13} is in the analog input mode.
Input/output current does not flow. $V_{C_{ref}}$, D_{12} , D_{13} : GND
 6. Applies to HD40L4812, HD40L4814, HD40L4816, and HD40L4818.

HD404818 Series

Input/Output Characteristics for Standard Pins (HD40L4812, HD40L4814, HD40L4816, HD40L4818: $V_{CC} = 2.7$ to 6 V; HD407L4818: $V_{CC} = 3$ to 5.5 V; $GND = 0$ V, $T_a = -20^\circ\text{C}$ to $+75^\circ\text{C}$, unless otherwise specified)

| Item | Symbol | Pin | Min | Typ | Max | Unit | Test Condition | Notes |
|------------------------------|---------------|--|---------------------|-----|---------------------|---------------|-----------------------------------|-------|
| Input high voltage | V_{IH} | D ₁₀ –D ₁₃ , R0–R3 | $0.7V_{CC}$ | | $V_{CC} + 0.3$ | V | | |
| Input low voltage | V_{IL} | D ₁₀ –D ₁₃ , R0–R3 | –0.3 | | $0.3V_{CC}$ | V | | |
| Output high voltage | V_{OH} | R0–R3 | $V_{CC} - 1.0$ | | | V | $-I_{OH} = 0.5$ mA | |
| Pull-up MOS current | $-I_{PU}$ | R0–R3 | 5 | 40 | 90 | μA | $V_{CC} = 3$ V, $V_{in} = 0$ V | |
| Output low voltage | V_{OL} | R0–R3 | | | 0.4 | V | $I_{OL} = 0.4$ mA | |
| Input/output leakage current | $ I_{IL} $ | D ₁₁ –D ₁₃ , R0–R3 | | | 1 | μA | $V_{in} = 0$ V to V_{CC} | 1 |
| | | D ₁₀ | | | 1 | μA | $V_{in} = 0$ V to V_{CC} | 2 |
| | | | | | 20 | μA | $V_{in} = 0$ V to V_{CC} | 3 |
| Input high voltage | V_{IHA} | D ₁₂ , D ₁₃ (Analog compare mode) | $V_{C_{ref}} + 0.1$ | | | V | | |
| Input low voltage | V_{ILA} | D ₁₂ , D ₁₃ (Analog compare mode) | | | $V_{C_{ref}} - 0.1$ | V | | |
| Analog input voltage | $V_{C_{ref}}$ | | 0 | | $V_{CC} - 1.2$ | V | | |

- Notes: 1 Output buffer current is excluded.
 2. Applies to HD40L4812, HD40L4814, HD40L4816, and HD40L4818.
 3. Applies to HD407L4818.

HD404818 Series

Input/Output Characteristics for High-Current Pins (HD40L4812, HD40L4814, HD40L4816, HD40L4818: $V_{CC} = 2.7$ to 6 V; HD407L4818: $V_{CC} = 3$ to 5.5 V; $GND = 0$ V, $T_a = -20^\circ\text{C}$ to $+75^\circ\text{C}$, unless otherwise specified)

| Item | Symbol | Pin | Min | Typ | Max | Unit | Test Condition |
|-------------------------------|------------|---------------|----------------|-----|----------------|---------------|--|
| Input high voltage | V_{IH} | D_0 – D_9 | $0.7V_{CC}$ | | $V_{CC} + 0.3$ | V | |
| Input low voltage | V_{IL} | D_0 – D_9 | -0.3 | | $0.3V_{CC}$ | V | |
| Output high voltage | V_{OH} | D_0 – D_9 | $V_{CC} - 1.0$ | | | V | $-I_{OH} = 0.5$ mA |
| Pull-up MOS current | $-I_{PU}$ | D_0 – D_9 | 5 | 40 | 90 | μA | $V_{CC} = 3$ V, $V_{in} = 0$ V |
| Output low voltage | V_{OL} | D_0 – D_9 | | | 2.0 | V | $I_{OL} = 15$ mA, $V_{CC} = 4.5$ to 6 V |
| | | | | | 0.4 | V | $I_{OL} = 0.4$ mA |
| Input/output leakage current* | $ I_{IL} $ | D_0 – D_9 | | | 1 | μA | $V_{in} = 0$ V – V_{CC} |

Note: * Output buffer current is excluded.

Liquid Crystal Circuit Characteristics (HD40L4812, HD40L4814, HD40L4816, HD40L4818: $V_{CC} = 2.7$ to 6 V; HD407L4818: $V_{CC} = 3$ to 5.5 V; $GND = 0$ V, $T_a = -20^\circ\text{C}$ to $+75^\circ\text{C}$, unless otherwise specified)

| Item | Symbol | Pin | Min | Typ | Max | Unit | Test Condition | Notes |
|--------------------------------------|-----------|---------------|-----|-----|----------|------------|-------------------------|-------|
| Segment driver voltage drop | V_{DS} | SEG1 to SEG32 | | | 0.6 | V | $I_d = 3$ μA | 1 |
| Common driver voltage drop | V_{DC} | COM1 to COM4 | | | 0.3 | V | $I_d = 3$ μA | 1 |
| LCD power supply dividing resistance | R_w | | 100 | 300 | 900 | k Ω | | |
| LCD voltage | V_{LCD} | V_1 | 2.7 | | V_{CC} | V | | 2, 3 |

- Notes:
1. Voltage drops from pins V_1 , V_2 , V_3 , and GND to each segment and common pin.
 2. Keep the relation $V_{CC} \geq V_1 \geq V_2 \geq V_3 \geq GND$ when V_{LCD} is supplied by an external power supply.
 3. V_{LCD} min. = 2.7 V (HD40L4812, HD40L4814, HD40L4816, HD40L4818)
 V_{LCD} min. = 3 V (HD407L4818)

HD404818 Series

AC Characteristics (HD40L4812, HD40L4814, HD40L4816, HD40L4818: $V_{CC} = 2.7$ to 6 V; HD407L4818: $V_{CC} = 3$ to 5.5 V; $GND = 0$ V, $T_a = -20^\circ\text{C}$ to $+75^\circ\text{C}$, unless otherwise specified)

| Item | Symbol | Pin(s) | Min | Typ | Max | Unit | Test Condition | Notes |
|--------------------------------------|------------|-------------------------------------|------|--------|-----|----------------------------|---|-------|
| Oscillation frequency | f_{OSC} | OSC ₁ , OSC ₂ | 250 | 800 | 900 | kHz | | |
| | | X1, X2 | | 32.768 | | kHz | | |
| Instruction cycle time | t_{cyc} | | 4.45 | 5 | 16 | μs | | |
| Oscillator stabilization time | t_{RC} | OSC ₁ , OSC ₂ | | | 7.5 | ms | $f_{OSC} = 400$ kHz | 1 |
| | | | | | 7.5 | ms | $f_{OSC} = 800$ kHz | 1 |
| | | X1, X2 | | | 3 | s | $T_a = -10^\circ$ to 60°C | 2 |
| External clock frequency | f_{CP} | OSC ₁ | 250 | | 900 | kHz | | 3 |
| External clock high width | t_{CPH} | OSC ₁ | 525 | | | ns | | 3 |
| External clock low width | t_{CPL} | OSC ₁ | 525 | | | ns | | 3 |
| External clock rise time | t_{CPr} | OSC ₁ | | | 30 | ns | | 3 |
| External clock fall time | t_{CPf} | OSC ₁ | | | 30 | ns | | 3 |
| $\overline{\text{INT}}_0$ high width | t_{IH} | $\overline{\text{INT}}_0$ | 2 | | | $t_{cyc}/$ t_{subcyc} | | 4, 6 |
| $\overline{\text{INT}}_0$ low width | t_{IL} | $\overline{\text{INT}}_0$ | 2 | | | $t_{cyc}/$ t_{subcyc} | | 4, 6 |
| $\overline{\text{INT}}_1$ high width | t_{IH} | $\overline{\text{INT}}_1$ | 2 | | | t_{cyc} | | 4 |
| $\overline{\text{INT}}_1$ low width | t_{IL} | $\overline{\text{INT}}_1$ | 2 | | | t_{cyc} | | 4 |
| RESET high width | t_{RSTH} | RESET | 2 | | | t_{cyc} | | 5 |
| Input capacitance | C_{in} | D ₁₀ | | | 15 | pF | $f = 1$ MHz, $V_{in} = 0$ V | 8 |
| | | | | | 90 | pF | $f = 1$ MHz, $V_{in} = 0$ V | 9 |
| | | All pins except D ₁₀ | | | 15 | pF | $f = 1$ MHz, $V_{in} = 0$ V | |
| Reset fall time | t_{RSTf} | | | | 20 | ms | | 5 |
| Analog comparator stabilization time | t_{CSTB} | D ₁₂ , D ₁₃ | | | 2 | t_{cyc} | | 7 |

Notes: 1. The oscillator stabilization time is the period from when V_{CC} reaches 2.7 V (HD407L4818: $V_{CC} = 3.0$ V) at power-on until the oscillator stabilizes, or after RESET goes high. At power-on or when recovering from stop mode, RESET must be kept high for more than t_{RC} . Since t_{RC} depends on the ceramic oscillator's circuit constant and stray capacitance, consult with the ceramic oscillator manufacturer when designing the reset circuit.

2. The oscillator stabilization time is the period from when V_{CC} reaches 2.7 V (HD407L4818: $V_{CC} = 3.0$ V) at power-on until the oscillator stabilizes. The time required to stabilize the oscillator (t_{RC}) must be obtained. Since t_{RC} depends on the ceramic oscillator's circuit constant and stray capacitance, consult with the ceramic oscillator manufacturer.
3. See figure 48.
4. See figure 49. The unit t_{cyc} is applied when the MCU is in standby mode or active mode.
5. See figure 50.
6. See figure 49. The unit t_{subcyc} is applied when the MCU is in watch mode or subactive mode. $t_{subcyc} = 244.14 \mu s$ (when a 32.768-kHz crystal oscillator is used)
7. The analog comparator stabilization time is the period from when D_{12}/D_{13} is placed in analog input mode until the analog comparator stabilizes and correct data can be read.
8. Applies to HD40L4812, HD40L4814, HD40L4816, and HD40L4818.
9. Applies to HD407L4818.

Serial Interface Timing Characteristics

During Transmit Clock Output (HD40L4812, HD40L4814, HD40L4816, HD40L4818: $V_{CC} = 2.7$ to 6 V; HD407L4818: $V_{CC} = 3$ to 5.5 V; GND = 0 V, $T_a = -20^\circ C$ to $+75^\circ C$, unless otherwise specified)

| Item | Symbol | Pin(s) | Min | Typ | Max | Unit | Test Condition | Notes |
|------------------------------------|---------------------------|------------------|-----|-----|-----|----------------------------|----------------|---------|
| Transmit clock cycle time | t_{Scyc} | \overline{SCK} | 1 | | | $t_{cyc}/$ t_{subcyc} | | 1, 2, 4 |
| Transmit clock high and low widths | $t_{SCKH},$ t_{SCKL} | \overline{SCK} | 0.5 | | | t_{Scyc} | | 1, 2 |
| Transmit clock rise and fall times | $t_{SCKr},$ t_{SCKf} | \overline{SCK} | | | 200 | ns | | 1, 2 |
| Serial output data delay time | t_{DSO} | SO | | | 500 | ns | | 1, 2 |
| Serial input data setup time | t_{SSI} | SI | 300 | | | ns | | 1 |
| Serial input data hold time | t_{HSI} | SI | 300 | | | ns | | 1 |

HD404818 Series

During Transmit Clock Input

| Item | Symbol | Pin(s) | Min | Typ | Max | Unit | Test Condition | Notes |
|---------------------------------------|---|-------------------------|-----|-----|-----|--|----------------|---------------|
| Transmit clock cycle time | $t_{S\text{cyc}}$ | $\overline{\text{SCK}}$ | 1 | | | $t_{\text{cyc}}/$ t_{subcyc} | | 1, 4 |
| Transmit clock high and low widths | $t_{\text{SCKH}},$ t_{SCKL} | $\overline{\text{SCK}}$ | 0.5 | | | t_{Seyc} | | 1 |
| Transmit clock rise and fall times | $t_{\text{SCKr}},$ t_{SCKf} | $\overline{\text{SCK}}$ | | | 200 | ns | | 1 |
| Serial output data delay time | t_{DSO} | SO | | | 500 | ns | | 1, 2 |
| Serial input data setup time | t_{SSI} | SI | 300 | | | ns | | 1 |
| Serial input data hold time | t_{HSI} | SI | 300 | | | ns | | 1 |
| Transmit clock completion detect time | t_{SCKHD} | $\overline{\text{SCK}}$ | 1 | | | $t_{\text{cyc}}/$ t_{subcyc} | | 1, 2, 3, 4 |

- Notes:
1. See figure 51.
 2. See figure 52.
 3. The transmit clock completion detect time is the high level period after 8 pulses of transmit clocks are input. The serial interrupt request flag is not set if the next transmit clock is input before the transmit clock completion detect time has passed.
 4. t_{subcyc} is applied when the MCU is in subactive mode. $t_{\text{subcyc}} = 244.14 \mu\text{s}$ (for a 32.768-kHz crystal oscillator).

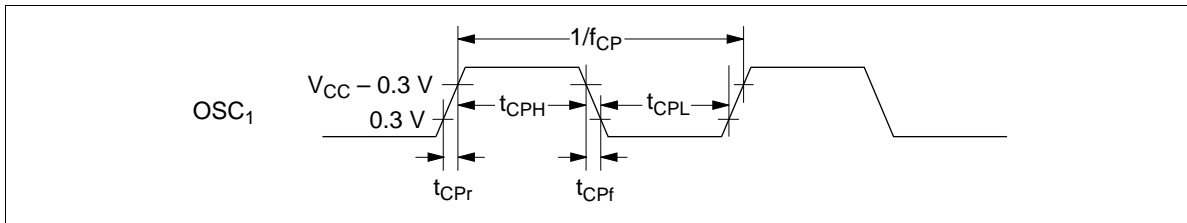


Figure 48 Oscillator Timing

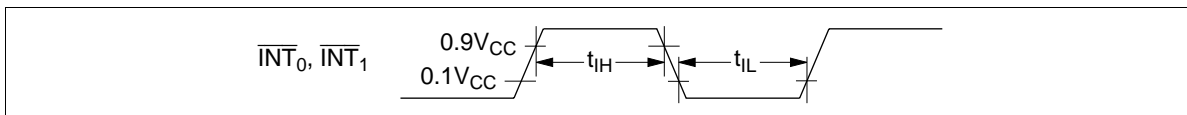


Figure 49 Interrupt Timing

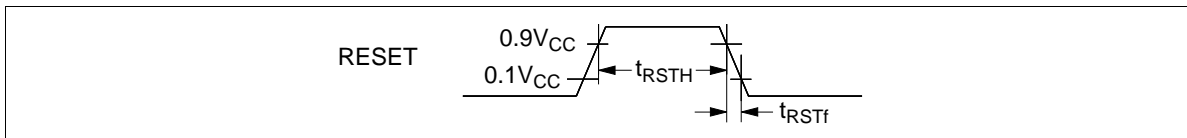


Figure 50 Reset Timing

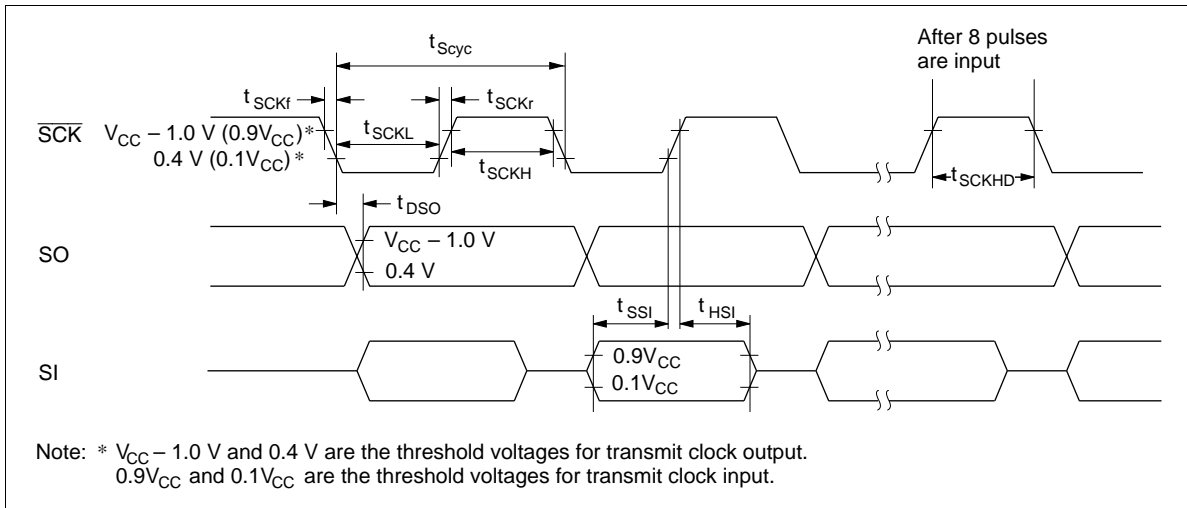


Figure 51 Timing of Serial Interface

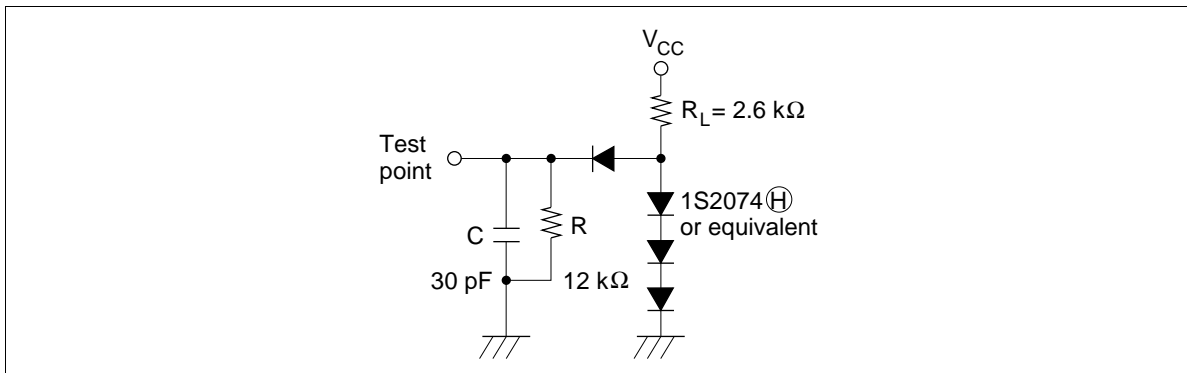


Figure 52 Timing Load Circuit

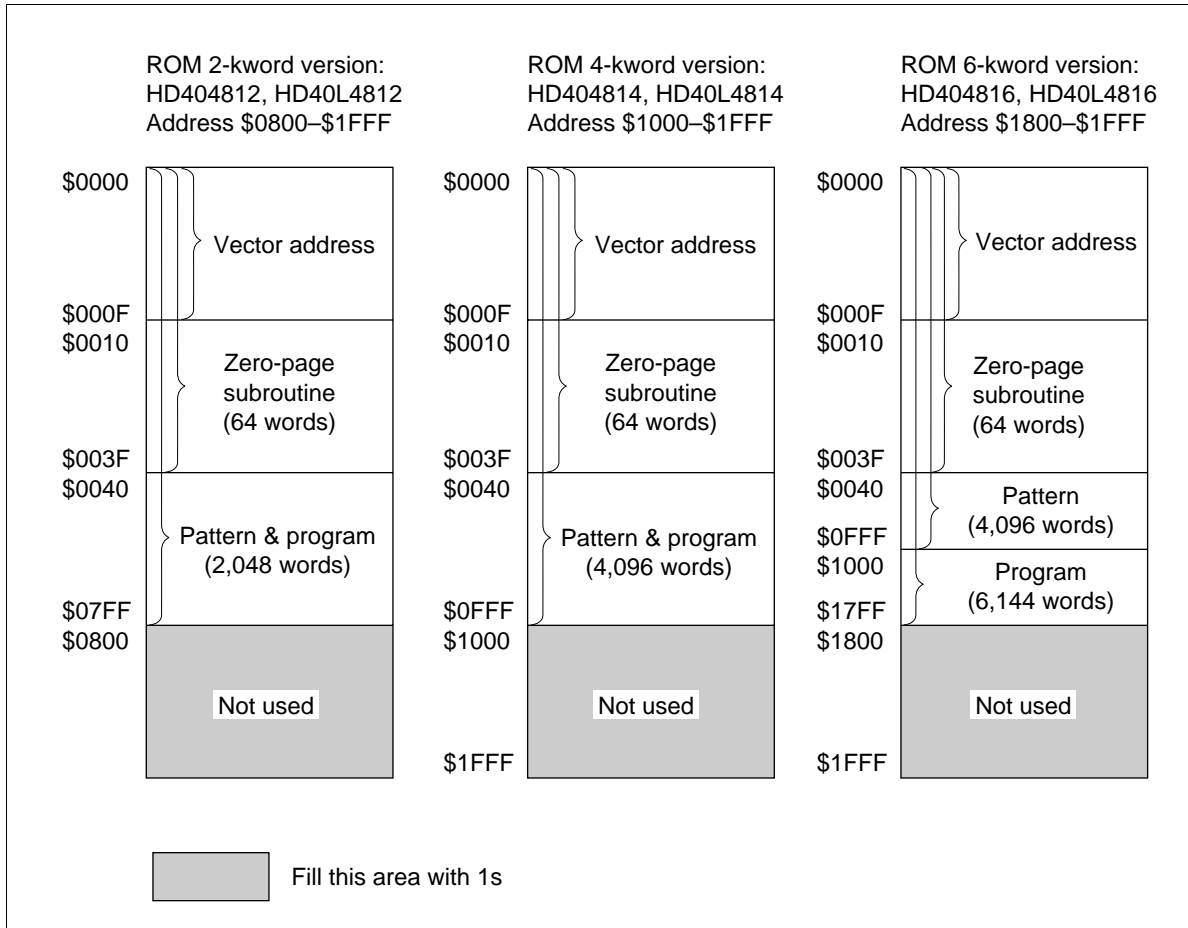
HD404818 Series

Notes on ROM Out

Please pay attention to the following items regarding ROM out.

On ROM out, fill the ROM area indicated below with 1s to create the same data size as an 8-kword version (HD404818 and HD40L4818). An 8-kword data size is required to change ROM data to mask manufacturing data since the program used is for an 8-kword version.

This limitation applies when using an EPROM or a data base.



HD404812, HD404814, HD404816, HD404818, HD40L4812, HD40L4814, HD40L4816, HD40L4818 Option List

Please check off the appropriate applications and enter the necessary information.

1. ROM Size

| | | |
|--|-----------|---------|
| <input type="checkbox"/> 5-V operation | HD404812 | 2-kword |
| <input type="checkbox"/> Low-voltage operation | HD40L4812 | |
| <input type="checkbox"/> 5-V operation | HD404814 | 4-kword |
| <input type="checkbox"/> Low-voltage operation | HD40L4814 | |
| <input type="checkbox"/> 5-V operation | HD404816 | 6-kword |
| <input type="checkbox"/> Low-voltage operation | HD40L4816 | |
| <input type="checkbox"/> 5-V operation | HD404818 | 8-kword |
| <input type="checkbox"/> Low-voltage operation | HD40L4818 | |

| | |
|--------------------------------------|-----|
| Date of order | / / |
| Customer | |
| Department | |
| Name | |
| ROM code name | |
| LSI type number (Hitachi's entry) | |

2. Optional Functions

| |
|---|
| * <input type="checkbox"/> With 32-kHz CPU operation and with watch time base |
| * <input type="checkbox"/> Without 32-kHz CPU operation and with watch time base |
| <input type="checkbox"/> Without 32-kHz CPU operation and without watch time base |

Note: * Options marked with an asterisk require a subsystem crystal oscillator (X1, X2).

3. ROM Code Media

Please specify the first type below (the upper bits and lower bits are mixed together), when using the EPROM on-package microcomputer type (including ZTAT™ version).

| |
|--|
| <input type="checkbox"/> EPROM: The upper bits and lower bits are mixed together. The upper five bits and lower five bits are programmed to the same EPROM in alternating order (i.e., LULULU...). |
| <input type="checkbox"/> EPROM: The upper bits and lower bits are separated. The upper five bits and lower five bits are programmed to different EPROMs. |

4. Oscillator

| | | |
|---|-----|-----|
| <input type="checkbox"/> Ceramic oscillator | f = | MHz |
| <input type="checkbox"/> Crystal oscillator | f = | MHz |
| <input type="checkbox"/> External clock | f = | MHz |

5. Stop mode

| |
|-----------------------------------|
| <input type="checkbox"/> Used |
| <input type="checkbox"/> Not used |

6. Package

| |
|---------------------------------|
| <input type="checkbox"/> FP-80A |
| <input type="checkbox"/> FP-80B |
| <input type="checkbox"/> TFP-80 |

HD404818 Series

Cautions

1. Hitachi neither warrants nor grants licenses of any rights of Hitachi's or any third party's patent, copyright, trademark, or other intellectual property rights for information contained in this document. Hitachi bears no responsibility for problems that may arise with third party's rights, including intellectual property rights, in connection with use of the information contained in this document.
2. Products and product specifications may be subject to change without notice. Confirm that you have received the latest product standards or specifications before final design, purchase or use.
3. Hitachi makes every attempt to ensure that its products are of high quality and reliability. However, contact Hitachi's sales office before using the product in an application that demands especially high quality and reliability or where its failure or malfunction may directly threaten human life or cause risk of bodily injury, such as aerospace, aeronautics, nuclear power, combustion control, transportation, traffic, safety equipment or medical equipment for life support.
4. Design your application so that the product is used within the ranges guaranteed by Hitachi particularly for maximum rating, operating supply voltage range, heat radiation characteristics, installation conditions and other characteristics. Hitachi bears no responsibility for failure or damage when used beyond the guaranteed ranges. Even within the guaranteed ranges, consider normally foreseeable failure rates or failure modes in semiconductor devices and employ systemic measures such as fail-safes, so that the equipment incorporating Hitachi product does not cause bodily injury, fire or other consequential damage due to operation of the Hitachi product.
5. This product is not designed to be radiation resistant.
6. No one is permitted to reproduce or duplicate, in any form, the whole or part of this document without written approval from Hitachi.
7. Contact Hitachi's sales office for any questions regarding this document or Hitachi semiconductor products.