

HD14015B

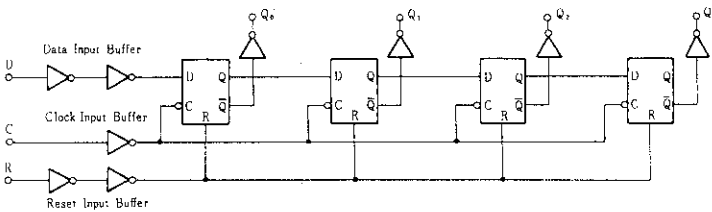
Dual 4-bit Static Shift Register

The HD14015B dual 4-bit static shift register consists of two identical, independent 4-state serial-input/parallel-output registers. Each register has independent Clock and Reset inputs with a single serial Data input. The register states are type D master-slave flip-flops. Data is shifted from one stage to the next during the positive-going clock transition. Each register can be cleared when a high level is applied on the Reset line.

FEATURES

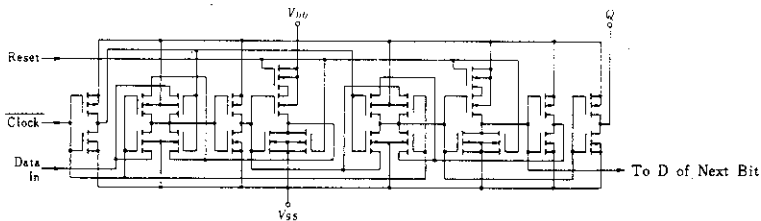
- Quiescent Current = 5nA/pkg typ @5V
- Supply Voltage Range = 3 to 18V
- High Fanout > 50
- Input Impedance = $10^{12} \Omega$ typ.
- Low Input Capacitance = 5pF typ.
- Toggle Rate = 6MHz @10V
- Capable of Driving One Low-power Schottky TTL Load Over the Rated Temperature Range

LOGIC DIAGRAM (1/2)

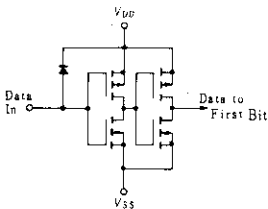


CIRCUIT SCHEMATIC

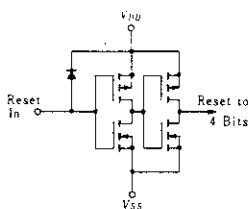
Single Bit



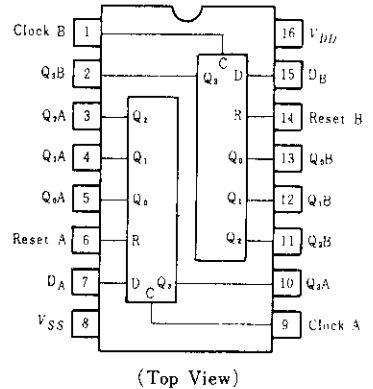
Data Input Buffer



Reset Input Buffer



PIN ARRANGEMENT



TRUTH TABLE

Clocked Operation(Synchronous)

D	Qn	Qn+1
0	0	0
0	1	0
1	0	1
1	1	1

Note) Qn+1 = Dn, Reset = 0

Direct Operation(Asynchronous)

Reset	Q
0	Q
1	0

Note) Clock = D = Don't Care

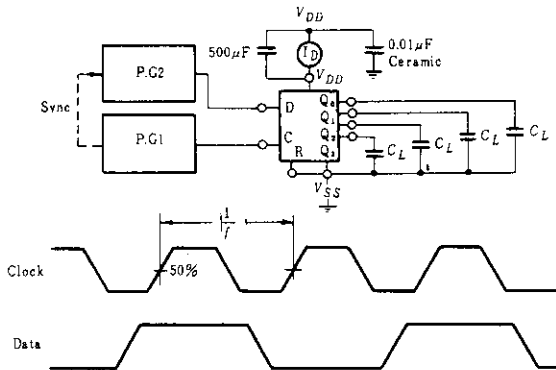
■ ELECTRICAL CHARACTERISTICS

Characteristic	Symbol	$V_{DD}(V)$	Test Conditions	-40°C		25°C			85°C		Unit
				min	max	min	typ	max	min	max	
Output Voltage	V_{OL}	5.0	$V_{in} = V_{DD}$ or 0	-	0.05	-	0	0.05	-	0.05	V
		10		-	0.05	-	0	0.05	-	0.05	
		15		-	0.05	-	0	0.05	-	0.05	
	V_{OH}	5.0	$V_{in} = 0$ or V_{DD}	4.95	-	4.95	5.0	-	4.95	-	V
		10		9.95	-	9.95	10	-	9.95	-	
		15		14.95	-	14.95	15	-	14.95	-	
Input Voltage	V_{IL}	5.0	$V_{out} = 4.5$ or $0.5V$	-	1.5	-	2.25	1.5	-	1.5	V
		10	$V_{out} = 9.0$ or $1.0V$	-	3.0	-	4.50	3.0	-	3.0	
		15	$V_{out} = 13.5$ or $1.5V$	-	4.0	-	6.75	4.0	-	4.0	
	V_{IH}	5.0	$V_{out} = 0.5$ or $4.5V$	3.5	-	3.5	2.75	-	3.5	-	V
		10	$V_{out} = 1.0$ or $9.0V$	7.0	-	7.0	5.50	-	7.0	-	
		15	$V_{out} = 1.5$ or $13.5V$	11.0	-	11.0	8.25	-	11.0	-	
Output Drive Current	I_{OH}	5.0	$V_{OH} = 2.5V$	-1.0	-	-0.8	-1.7	-	-0.6	-	mA
		5.0	$V_{OH} = 4.6V$	-0.2	-	-0.16	-0.36	-	-0.12	-	
		10	$V_{OH} = 9.5V$	-0.5	-	-0.4	-0.9	-	-0.3	-	
		15	$V_{OH} = 13.5V$	-1.4	-	-1.2	-3.5	-	-1.0	-	
	I_{OL}	5.0	$V_{OL} = 0.4V$	0.52	-	0.44	0.88	-	0.36	-	mA
		10	$V_{OL} = 0.5V$	1.3	-	1.1	2.25	-	0.9	-	
15		$V_{OL} = 1.5V$	3.6	-	3.0	8.8	-	2.4	-		
Input Current	I_{in}	15		-	± 0.3	-	± 0.0001	± 0.3	-	± 1.0	μA
Input Capacitance	C_{in}	-	$V_{in} = 0$	-	-	-	5.0	7.5	-	-	pF
Quiescent Current	I_{DD}	5.0	Zero Signal, per Package	-	20	-	0.005	20	-	150	μA
		10		-	40	-	0.010	40	-	300	
		15		-	80	-	0.015	80	-	600	
Total Supply Current*	I_T	5.0	Dynamic+ I_{DD} , $C_L = 50pF$ $f = 1kHz$, per Gate	-	-	-	1.2	-	-	-	μA
		10		-	-	-	2.4	-	-	-	
		15		-	-	-	3.6	-	-	-	

* To calculate total supply current at frequency other than 1kHz.

@ $V_{DD} = 5.0V$ $I_T = 1.2\mu A/kHz \cdot f + I_{DD}$ @ $V_{DD} = 10V$ $I_T = 2.4\mu A/kHz \cdot f + I_{DD}$ @ $V_{DD} = 15V$ $I_T = 3.6\mu A/kHz \cdot f + I_{DD}$

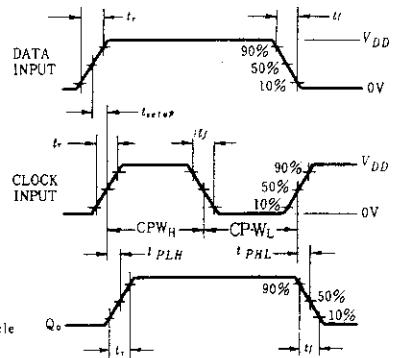
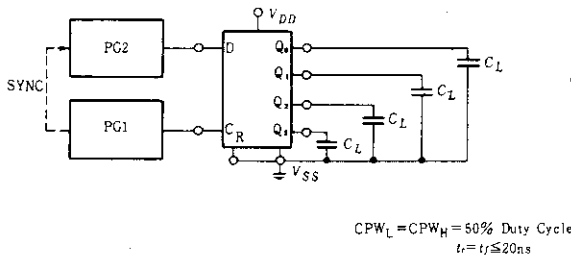
● POWER DISSIPATION TEST CIRCUIT AND WAVEFORM



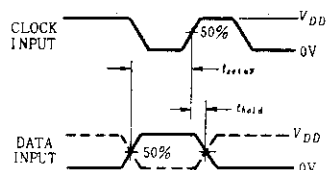
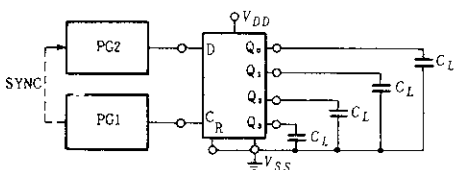
■ SWITCHING CHARACTERISTICS ($C_L=50pF, T_a=25^{\circ}C$)

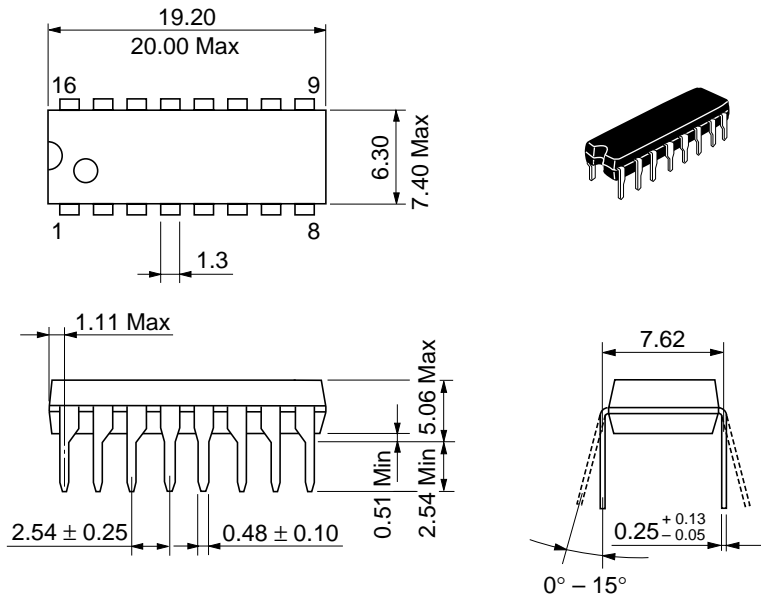
Characteristic	Symbol	$V_{DD}(V)$	min	typ	max	Unit	
Output Rise Time	t_r	5.0	—	180	400	ns	
		10	—	90	200		
		15	—	65	160		
Output Fall Time	t_f	5.0	—	170	250	ns	
		10	—	70	150		
		15	—	50	80		
Propagation Delay Time	Clock, Data	t_{PLH}, t_{PHL}	5.0	—	310	1000	ns
			10	—	125	400	
			15	—	90	265	
	Reset	t_{PHL}	5.0	—	460	1000	
			10	—	180	400	
			15	—	120	265	
Clock Pulse Width	PWC	5.0	500	185	—	ns	
		10	200	85	—		
		15	150	55	—		
Clock Pulse Frequency	PRF	5.0	—	2.0	1.0	MHz	
		10	—	6.0	2.5		
		15	—	7.5	3.0		
Clock Pulse Rise and Fall Time	t_r, t_f	5.0	—	—	15	μs	
		10	—	—	15		
		15	—	—	15		
Reset Pulse Width	PWR	5.0	500	200	—	ns	
		10	200	80	—		
		15	150	60	—		
Setup Time	t_{setup}	5.0	500	100	—	ns	
		10	100	50	—		
		15	75	40	—		

■ SWITCHING TIME TEST CIRCUIT



● Setup and Hold Time Test Circuit and Waveforms





Hitachi Code	DP-16
JEDEC	Conforms
EIAJ	Conforms
Weight (reference value)	1.07 g



*Dimension including the plating thickness
 Base material dimension

Hitachi Code	FP-16DA
JEDEC	—
EIAJ	Conforms
Weight (reference value)	0.24 g



*Dimension including the plating thickness
Base material dimension

Hitachi Code	FP-16DN
JEDEC	Conforms
EIAJ	Conforms
Weight (reference value)	0.15 g

Cautions

1. Hitachi neither warrants nor grants licenses of any rights of Hitachi's or any third party's patent, copyright, trademark, or other intellectual property rights for information contained in this document. Hitachi bears no responsibility for problems that may arise with third party's rights, including intellectual property rights, in connection with use of the information contained in this document.
2. Products and product specifications may be subject to change without notice. Confirm that you have received the latest product standards or specifications before final design, purchase or use.
3. Hitachi makes every attempt to ensure that its products are of high quality and reliability. However, contact Hitachi's sales office before using the product in an application that demands especially high quality and reliability or where its failure or malfunction may directly threaten human life or cause risk of bodily injury, such as aerospace, aeronautics, nuclear power, combustion control, transportation, traffic, safety equipment or medical equipment for life support.
4. Design your application so that the product is used within the ranges guaranteed by Hitachi particularly for maximum rating, operating supply voltage range, heat radiation characteristics, installation conditions and other characteristics. Hitachi bears no responsibility for failure or damage when used beyond the guaranteed ranges. Even within the guaranteed ranges, consider normally foreseeable failure rates or failure modes in semiconductor devices and employ systemic measures such as fail-safes, so that the equipment incorporating Hitachi product does not cause bodily injury, fire or other consequential damage due to operation of the Hitachi product.
5. This product is not designed to be radiation resistant.
6. No one is permitted to reproduce or duplicate, in any form, the whole or part of this document without written approval from Hitachi.
7. Contact Hitachi's sales office for any questions regarding this document or Hitachi semiconductor products.

HITACHI

Hitachi, Ltd.

Semiconductor & Integrated Circuits.
Nippon Bldg., 2-6-2, Ohte-machi, Chiyoda-ku, Tokyo 100-0004, Japan
Tel: Tokyo (03) 3270-2111 Fax: (03) 3270-5109

URL North America : <http://semiconductor.hitachi.com/>
 Europe : <http://www.hitachi-eu.com/hel/ecg>
 Asia (Singapore) : <http://www.has.hitachi.com.sg/grp3/sicd/index.htm>
 Asia (Taiwan) : http://www.hitachi.com.tw/E/Product/SICD_Frame.htm
 Asia (HongKong) : <http://www.hitachi.com.hk/eng/bo/grp3/index.htm>
 Japan : <http://www.hitachi.co.jp/Sicd/indx.htm>

For further information write to:

Hitachi Semiconductor
(America) Inc.
179 East Tasman Drive,
San Jose, CA 95134
Tel: <1> (408) 433-1990
Fax: <1> (408) 433-0223

Hitachi Europe GmbH
Electronic components Group
Dornacher Straße 3
D-85622 Feldkirchen, Munich
Germany
Tel: <49> (89) 9 9180-0
Fax: <49> (89) 9 29 30 00

Hitachi Europe Ltd.
Electronic Components Group.
Whitebrook Park
Lower Cookham Road
Maidenhead
Berkshire SL6 8YA, United Kingdom
Tel: <44> (1628) 585000
Fax: <44> (1628) 778322

Hitachi Asia Pte. Ltd.
16 Collyer Quay #20-00
Hitachi Tower
Singapore 049318
Tel: 535-2100
Fax: 535-1533

Hitachi Asia Ltd.
Taipei Branch Office
3F, Hung Kuo Building, No.167,
Tun-Hwa North Road, Taipei (105)
Tel: <886> (2) 2718-3666
Fax: <886> (2) 2718-8180

Hitachi Asia (Hong Kong) Ltd.
Group III (Electronic Components)
7/F., North Tower, World Finance Centre,
Harbour City, Canton Road, Tsim Sha Tsui,
Kowloon, Hong Kong
Tel: <852> (2) 735 9218
Fax: <852> (2) 730 0281
Telex: 40815 HITEC HX

Copyright ' Hitachi, Ltd., 1999. All rights reserved. Printed in Japan.

HITACHI