

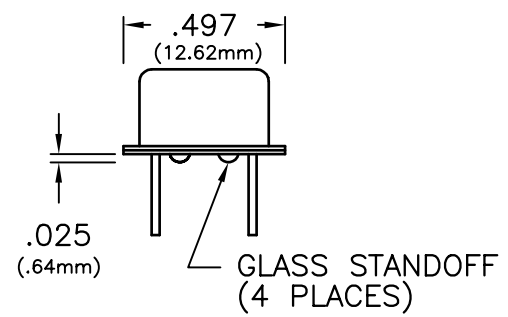
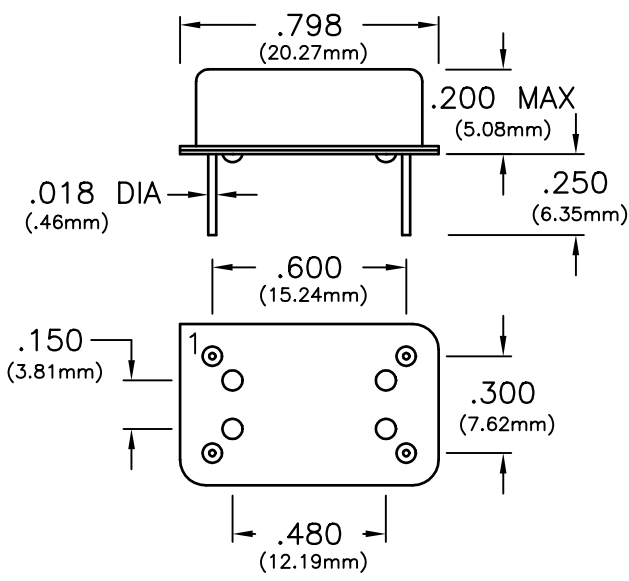


# CONNOR-WINFIELD CORPORATION

AURORA, IL. 60505  
 PHONE (630) 851-4722  
 FAX (630) 851-5040

## 14 PIN DIP HIGH SPEED CMOS

SPECIFICATIONS	HC13R6	HC14R6	HC15R6	HC16R6	HC17R6	
Frequency Range	1Hz to 1KHz					
Frequency Stability	±25ppm	±50ppm	±100ppm	±100ppm	±100ppm	
	(Inclusive of calibration tolerance at 25°C, operating temperature range, input voltage change, load change, aging, shock and vibration)					
Temperature Range	0°C to +70°C	0°C to +70°C	0°C to +70°C	-40°C to +85°C	-55°C to +125°C	
Output	Waveform	High Speed CMOS Squarewave				
	Load	15pF				
	Voltage	Voh	4.5V Minimum			
		Vol	0.5V Maximum			
	Current	Ioh	-4.0mA			
		Iol	4.0mA			
	Duty Cycle	45/55 Maximum Measured at 50% level				
Rise/Fall Time	5nS Maximum					
Start Up Time	10ms Maximum					
Supply Voltage	+5Vdc ±5%					
Supply Current	30mA Maximum					
Package	All metal, hermetically sealed, welded package					



PIN	CONNECTION
1	N/C
7	GROUND (CASE)
8	OUTPUT
14	(+) SUPPLY

Dimensional Tolerance ±.005

Specifications subject to change without notice