

# HA16129FPJ

## Single Watchdog Timer

REJ03F0144-0300  
(Previous: ADE-204-027B)  
Rev.3.00  
Jun 15, 2005

### Description

The HA16129FPJ is a watchdog timer IC that monitors a microprocessor for runaway. In addition to the watchdog timer function, the HA16129FPJ also provides a function for supplying a high-precision stabilized power supply to the microprocessor, a power on reset function, a power supply voltage monitoring function, and a fail-safe function that masks the microprocessor outputs if a runaway is detected.

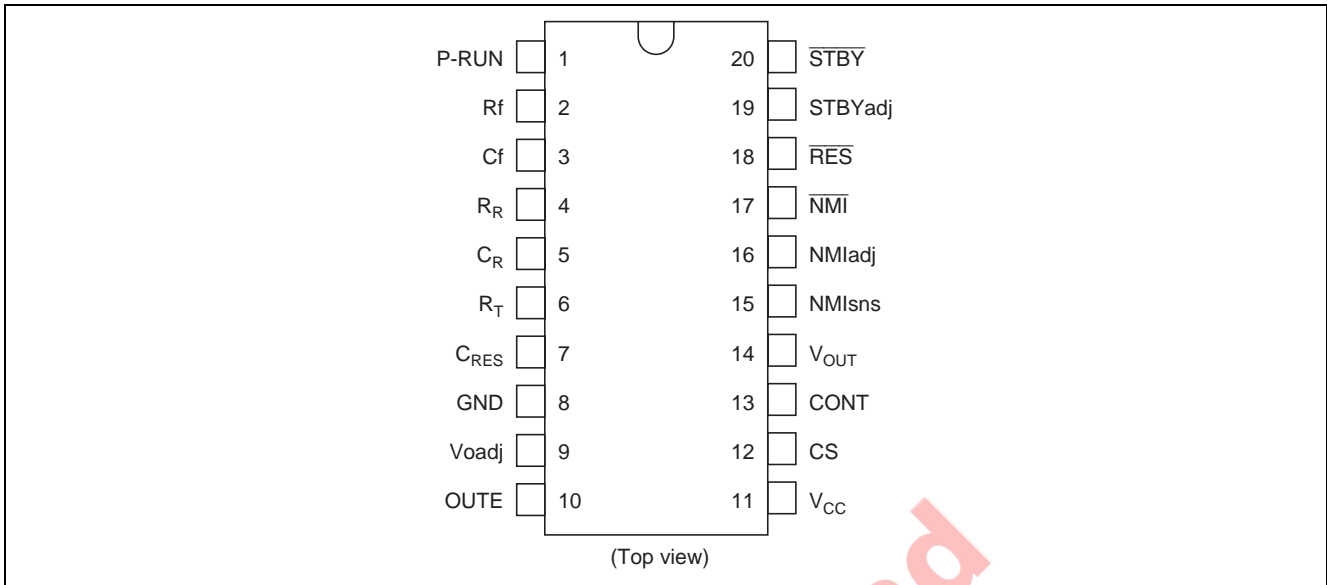
### Functions

- Watchdog timer (WDT) function  
Monitors the P-RUN signal output by the microprocessor, and issues an auto-reset ( $\overline{\text{RES}}$ ) signal if a microprocessor runaway is detected.
  - Stabilized power supply  
Provides power to the microprocessor.
  - Power on and clock off functions  
The power on function outputs a low level signal to the microprocessor for a fixed period when power is first applied.  
The clock off function outputs a  $\overline{\text{RES}}$  signal to the microprocessor a fixed period after a runaway occurs.
  - Power supply monitoring function  
When the reference voltage ( $V_{\text{out}}$ ) falls and becomes lower than the  $\overline{\text{NMI}}$  detection voltage (4.63 V, Typ) or the  $\overline{\text{STBY}}$  detection voltage (3.0 V Typ), this function outputs either an  $\overline{\text{NMI}}$  signal or an  $\overline{\text{STBY}}$  signal, respectively.  
Note that NMI detection can be set to monitor either  $V_{\text{CC}}$  or  $V_{\text{out}}$ .
  - OUTE function<sup>\*1</sup> (fail-safe function)  
Outputs a signal used to mask microprocessor outputs when a microprocessor runaway has been detected.
  - $\overline{\text{RES}}$  delay function  
Sets the delay between the time the  $\overline{\text{NMI}}$  signal is output and the time the  $\overline{\text{RES}}$  signal is output.
  - Protection functions  
The HA16129FPJ incorporates both  $V_{\text{out}}$  overvoltage prevention and current limiter functions.
- Note: 1. OUTE function: OUTE is an abbreviation for output enable.

### Features

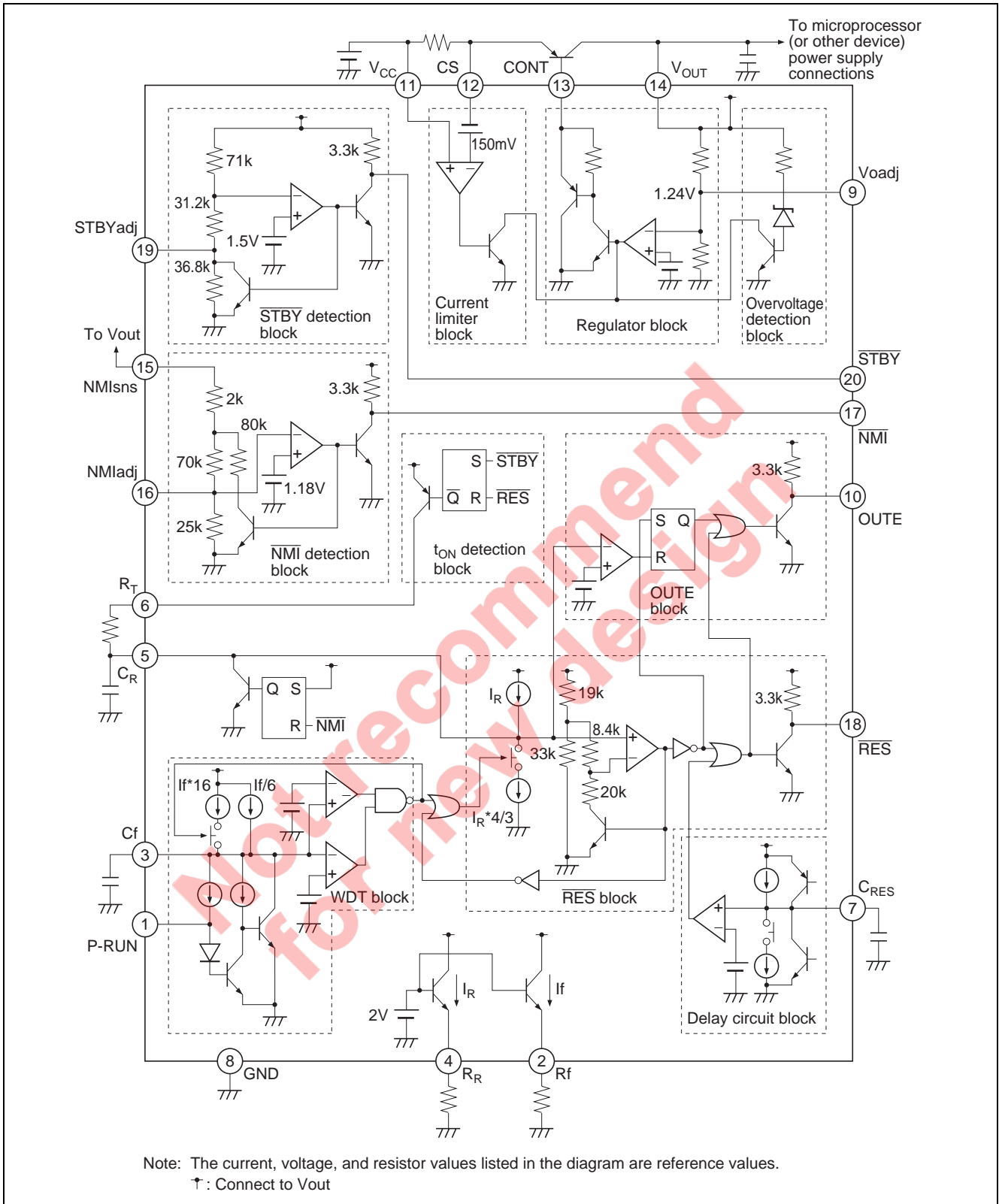
- High-precision output voltage: 5.0 V  $\pm$  1.5%
- The WDT supports both frequency and duty detection schemes.
- High-precision power supply monitoring function: 4.625 V  $\pm$  0.125 V
- Built-in OUTE function
- All functions can be adjusted with external resistors and/or capacitors.

Pin Arrangement



Not recommend  
for new design

Block Diagram



## Pin Function

Related Function	Pin No.	Symbol	Function
WDT.	1	P-RUN	Watchdog timer pulse input. The auto-reset function is controlled by the duty cycle or frequency of this input pulse signal.
	2	Rf	The resistor connected to this pin determines the current that flows in the Cf pin capacitor. Use the resistor value from 100 kΩ to 500 kΩ
	3	Cf	The current determined by the Rf pin charges the Cf capacitor and the potential on this pin determines the watchdog timer frequency band.
t <sub>RH</sub> , t <sub>RL</sub> , t <sub>OFF</sub>	4	R <sub>R</sub>	The resistor connected to this pin determines the current that flows in the C <sub>R</sub> pin capacitor. Use the resistor value from 100 kΩ to 500 kΩ
	5	C <sub>R</sub>	The current determined by the R <sub>R</sub> pin charges the capacitor C <sub>R</sub> and the potential on this pin controls the $\overline{\text{RES}}$ function (toff, t <sub>RH</sub> , and t <sub>RL</sub> ).
t <sub>ON</sub>	6	R <sub>T</sub>	The resistor R <sub>T</sub> , which determines only the time t <sub>ON</sub> for the RES function is connected to this pin. This resistor determines the current that charges the capacitor C <sub>R</sub> for the time t <sub>ON</sub> . Use the resistor value from 100 kΩ to 500 kΩ
t <sub>r</sub> , t <sub>RES</sub>	7	C <sub>RES</sub>	The current determined by the Rf pin charges the capacitor C <sub>RES</sub> , and the RES delay times (Tr and T <sub>RES</sub> ) are determined by the potential of this capacitor.
–	8	GND	Ground
Vout	9	Voadj	Insert the resistor Roadj if fine adjustment of the regulator output voltage Vout is required. Leave this pin open if Vout does not need to be changed.
Output	10	OUTE	Output for the OUTE function
Power supply	11	V <sub>CC</sub>	Power supply
Current limiter	12	CS	Current limiter detection. Connect the overcurrent detection resistor between the CS pin and the V <sub>CC</sub> pin. If this function is not used, short this pin to V <sub>CC</sub> . Also, connect this pin to the emitter of the external transistor. (This function can not operate when V <sub>OUT</sub> < 2 V)
Vout	13	CONT	Connect this pin to the base of the external transistor.
	14	V <sub>OUT</sub>	Provides the regulator output voltage and the IC internal power supply. Connect this pin to the collector of the external transistor.
NMI	15	NMI <sub>sns</sub>	This pin senses the NMI detection voltage. If V <sub>CC</sub> is to be detected, connect this pin to the V <sub>CC</sub> pin (however, note that an external resistor is required), and if Vout is to be detected, connect this pin to the V <sub>OUT</sub> pin.
	16	NMI <sub>adj</sub>	Insert a resistor if fine adjustment of the NMI detection voltage is required. Leave this pin open if fine adjustment is not required.
Output	17	NMI	NMI output
Output	18	$\overline{\text{RES}}$	$\overline{\text{RES}}$ output
$\overline{\text{STBY}}$	19	STBY <sub>adj</sub>	Insert a resistor if fine adjustment of the $\overline{\text{STBY}}$ detection voltage is required. Leave this pin open if fine adjustment is not required.
Output	20	$\overline{\text{STBY}}$	$\overline{\text{STBY}}$ output

## Functional Description

This section describes the functions provided by the HA16129FPJ. See the section on formulas for details on adjustment methods.

### Regulator Block

- Vout Voltage

This IC provides a stabilized 5 V power supply by controlling the base current of an external transistor. The largest current (the maximum CONT pin current) that can be drawn by the base of this external transistor is 20 mA. Also note that the Vout output is also used for the power supply for this IC's internal circuits.

### Current Limiter Block

When a current detection resistor ( $R_{CS}$ ) is connected between the  $V_{CC}$  pin and the CS pin, and the voltage between these pins exceeds the  $V_{CS}$  voltage (150 mV Typ), the CONT pin function turns off and the output voltage supply is stopped. This function can not work when  $V_{OUT} < 2$  V.

Note: This function is not short detection.

### Output Voltage (Vout) Adjustment

The output voltage can be adjusted by connecting an external resistor at the output voltage adjustment pin (Voadj). However, if for some reason the voltage on this Vout line increases and exceeds the voltage adjustment range (7 V Max), the CONT pin function turns off and the output voltage supply is stopped.

Refer to the timing charts in conjunction with the following items.

### LVI (Low Voltage Inhibit)

- $\overline{NMI}$  Detection Voltage

This function monitors for drops in the power-supply voltage. This function can be set up to monitor either  $V_{CC}$  or Vout. When Vout is monitored, a low level is output from the  $\overline{NMI}$  pin if that voltage falls under the detection voltage (4.63 V Typ). Then, when the power-supply voltage that fell rises again, the  $\overline{NMI}$  pin will output a high level. Note that this function has a fixed hysteresis of 50 mV (Typ). The monitored power supply is selected by connecting the  $\overline{NMI}ns$  pin either to the  $V_{CC}$  pin or to the  $V_{OUT}$  pin. When detecting  $V_{CC}$ , an external adjustment resistor is required.)

The detection voltage can also be adjusted with the  $\overline{NMI}adj$  pin.

- $\overline{STBY}$  Detection Voltage

This function monitors for drops in the Vout voltage. It monitors the Vout voltage, and outputs a low level from the  $\overline{STBY}$  pin if that voltage drops below the detection voltage (3.0 V Typ). Then, when the power-supply voltage that fell rises again, the  $\overline{STBY}$  pin will output a high level. Note that this function has a fixed hysteresis of 1.35 V (Typ). The detection voltage can also be adjusted with the  $\overline{STBY}adj$  pin.

### Function Start Voltage

This is the minimum required Vout voltage for the  $\overline{RES}$ ,  $\overline{NMI}$ ,  $\overline{STBY}$ , and OUTE output pin functions to start operating. It is stipulated as the voltage that Vout must reach after power is first applied for these pins to output a low level.

### Hysteresis

This is the difference between the LVI function detection voltage when the power-supply voltage drops, and the clear (reset) voltage when the power-supply voltage rises.

$$(V_{HYSN} = V_{NMI}' - V_{NMI}; V_{HYSS} = V_{STBY}' - V_{STBY})$$

## OUTE Function

When a microprocessor is in the runaway state, its outputs are undefined, and thus it is possible that the outputs may be driven by incorrect signals. This function is used to mask such incorrect microprocessor outputs. When the WDT function recognizes normal operation (when the  $\overline{\text{RES}}$  output is high), the OUTE output will be held high. When the WDT function recognizes an abnormal state and an auto-reset pulse is output from the  $\overline{\text{RES}}$  pin, the OUTE output will be held low. Thus microprocessor outputs during microprocessor runaway can be masked by taking the AND of those outputs and this signal using external AND gates.

The OUTE output will go high when the  $C_R$  pin voltage exceeds  $V_{thHcr2}$ , and will go low when that voltage falls below  $V_{thLcr}$ .

There are limitation that apply when the OUTE function is used. Refer to the calculation formulas item for details.

## RES Function

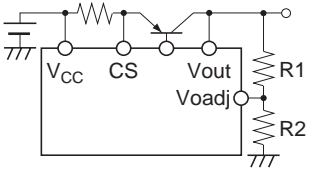
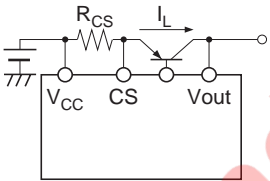
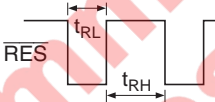
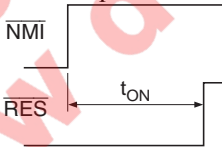
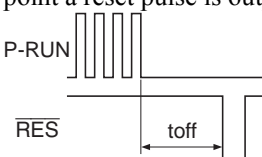
- $t_{RH}$   
This period is the length of the high-level output period of the  $\overline{\text{RES}}$  pulse when the P-RUN signal from the microprocessor stops. This is the time required for the  $C_R$  potential to reach  $V_{thLcr}$  from  $V_{thHcr1}$ .
- $t_{RL}$   
This period is the length of the low-level output period of the  $\overline{\text{RES}}$  pulse when the P-RUN signal from the microprocessor stops. This is the time required for the  $C_R$  potential to reach  $V_{thHcr1}$  from  $V_{thLcr}$ .
- $t_{OFF}$   
This is the time from the point the P-RUN signal from the microprocessor stops to the point a low level is output from the  $\overline{\text{RES}}$  pin. During normal microprocessor operation, the potential on the  $C_R$  pin will be about  $V_{out} - 0.2 \text{ V}$  (although this value may change with the P-RUN signal input conditions, so it should be verified in the actual application circuit) and  $t_{OFF}$  is the time for the  $C_R$  pin potential to reach  $V_{thLcr}$  from that potential.
- $t_{ON}$   
 $t_{ON}$  is the time from the point the  $\overline{\text{NMI}}$  output goes high when power is first applied to the point the  $\overline{\text{RES}}$  output goes low.  $t_{ON}$  is the time for the potential of the  $C_R$  pin to reach  $V_{thHcr1}$  from 0 V.
- $t_r$   
The time  $t_r$  is the fixed delay time between the point the  $\overline{\text{NMI}}$  output goes from low to high after the power-supply voltage comes up to the point  $\overline{\text{RES}}$  goes from low to high. The time  $t_r$  is the time for the  $C_{RES}$  pin potential to fall from the high voltage (about 1.9 V) to  $V_{thres}$ .
- $t_{RES}$   
The time  $t_{RES}$  is the fixed delay time between the point the  $\overline{\text{NMI}}$  output goes from high to low when the power-supply voltage falls to the point  $\overline{\text{RES}}$  goes from high to low. The time  $t_{RES}$  is the time for the  $C_{RES}$  pin potential to rise from 0 V to  $V_{thres}$ .

## WDT Function

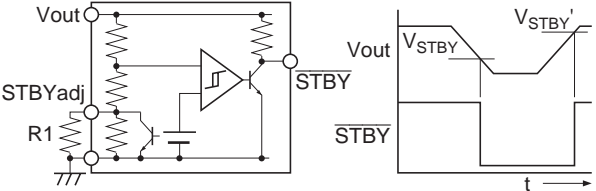
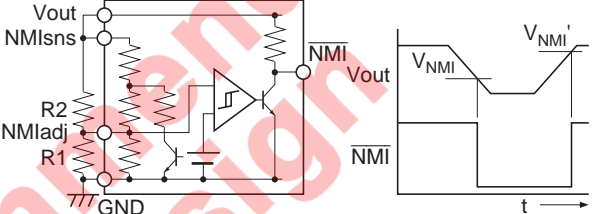
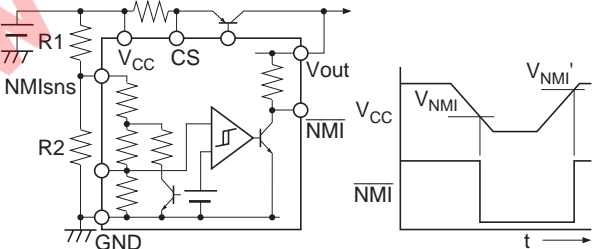
This function determines whether the microprocessor is operating normally or has entered a runaway state by monitoring the duty or frequency of the P-RUN signal. When this function recognizes a runaway state, it outputs a reset pulse from the  $\overline{\text{RES}}$  pin and sets the OUTE pin to low from high. It holds the RES and OUTE pins fixed at high as long as it recognizes normal microprocessor operation.

In this function, the potential of the  $C_f$  capacitor is controlled by the P-RUN signal. This  $C_f$  pin potential charges the capacitor  $C_R$  that controls the reset pulse to be between  $V_{thLcf}$  and  $V_{thHcf}$ . The judgment as to whether or not the microprocessor is operating normally, is determined by the balance between the charge and discharge voltage on the capacitor  $C_R$  at this time.

Calculation Formulas

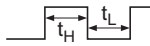
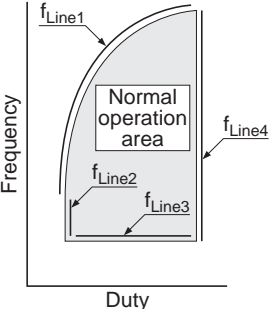
Item	Formula	Notes
Reference voltage	$V_{out} = 1.225 \left( 1 + \frac{37 \parallel R1}{12 \parallel R2} \right)$ R1, R2; kΩ	While the Vout voltage will be 5 V ±1.5% when the Voadj pin is open, the circuit shown here should be used to change the Vout voltage externally. 
Current limiter voltage	$V_{cs} (150 \text{ mV Typ}) < I_L \cdot R_{cs}$	When this function operates, the base current to the external transistor connected to the CS pin stops and the Vout output is lowered. 
OVP	—	This function prevents the microprocessor from being damaged if the Vout voltage is inadvertently increased to too high a level. The OVP detection voltage is fixed.
tRH, tRL	$t_{RH} = 3.3 \times C_R \cdot R_R$ $t_{RL} = 1.1 \times C_R \cdot R_R$	These determine the reset pulse frequency and duty. 
tON	$t_{ON} = 1.1 \times C_R \cdot R_T$	Sets the time from the rise of the NMI signal to the point the RES output is cleared. 
tOFF	$t_{OFF} = 6.5 \times C_R \cdot R_R$	Sets the time from the point the P-RUN pulse stops to the point a reset pulse is output. 

Calculation Formulas (cont.)

Item	Formula	Notes
$V_{STBY}$	$V_{STBY} = 1.48 \times \left( \frac{67.6}{29.5 + 36.2 // R1} + 1 \right)$	<p>The voltage at which the <math>\overline{STBY}</math> signal is output when <math>V_{out}</math> falls. The <math>\overline{STBY}</math> detection voltage can be adjusted by connecting a resistor between the <math>STBY_{adj}</math> pin and ground (R3). However, the <math>\overline{STBY}</math> recovery voltage cannot be adjusted.</p> 
$V_{NMI}$ ( $V_{out}$ detection)	$V_{NMI} = 1.2 \times \left( 1 + \frac{R1 // 73}{R2 // 25} \right)$ <p>R1, R2; k<math>\Omega</math></p>	<p>The voltage at which the <math>\overline{NMI}</math> signal is output when <math>V_{out}</math> falls. (When <math>NMI_{sns}</math> is connected to <math>V_{out}</math>.)</p> <p>The <math>\overline{NMI}</math> detection voltage can be adjusted by connecting resistors between the <math>NMI_{adj}</math> pin and <math>V_{out}</math> (R1), and between the <math>NMI_{adj}</math> pin and ground (R2).</p> 
$V_{NMI}$ ( $V_{CC}$ detection)	$V_{NMI} = 4.62 \times \left( \frac{R1}{R2 // 97.1} + 1 \right)$ <p>Recovery voltage</p> $V_{NMI} = 4.68 \times \left( \frac{R1}{R2 // 45.5} + 1 \right)$ <p>R1, R2; k<math>\Omega</math></p>	<p>The voltage at which the <math>\overline{NMI}</math> signal is output when <math>V_{CC}</math> falls. (When <math>NMI_{sns}</math> is connected to <math>V_{CC}</math>.)</p> <p>The <math>\overline{NMI}</math> detection voltage can be adjusted by connecting resistors between the <math>NMI_{sns}</math> pin and <math>V_{CC}</math> (R1), and between the <math>NMI_{sns}</math> pin and ground (R2).</p> 
$O_{UTE}$	$C_R \times R_R > 19.3 \times C_f \times R_f$	<p>If the <math>O_{UTE}</math> function is used, the relationship shown at the left must be fulfilled to assure that pulses are not incorrectly generated in this output when a microprocessor runaway state is detected.</p>



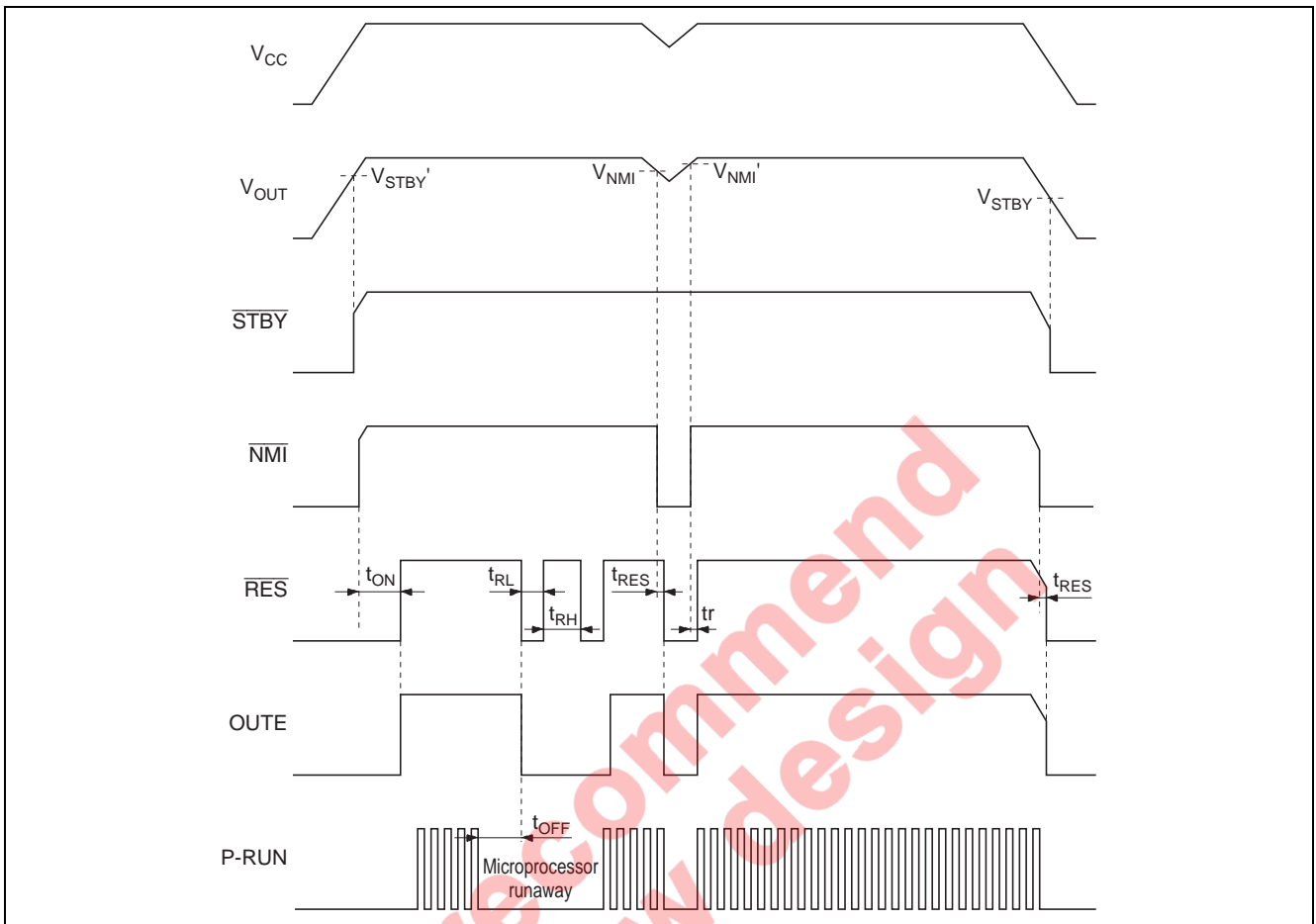
Calculation Formulas (cont.)

Item	Formula	Notes
WDT.	$f_{Line1} = \frac{0.31 \times (Du - 24)}{Cf \cdot Rf}$ $f_{Line2} = 24\% \text{ (fixed)}$ $f_{Line3} = \frac{0.024}{Cf \cdot Rf}$ $f_{Line4} = 99\%$ <p>The relationship between <math>f_{Line1}</math> and <math>f_{Line3}</math></p> $f_{Line1} = f_{Line3} \times 12.9 (Du - 24)$ <p>Du: The P-RUN signal duty cycle</p>  $Du = \frac{t_H}{t_H + t_L} \times 100$	<p>The WDT function judges whether the P-RUN pulse signal is normal or not. If the WDT function judges the P-RUN pulse signal to be abnormal, it outputs a reset signal. The normal range is the area enclosed by <math>f_{Line1}</math> to <math>f_{Line4}</math> in the figure.</p> 

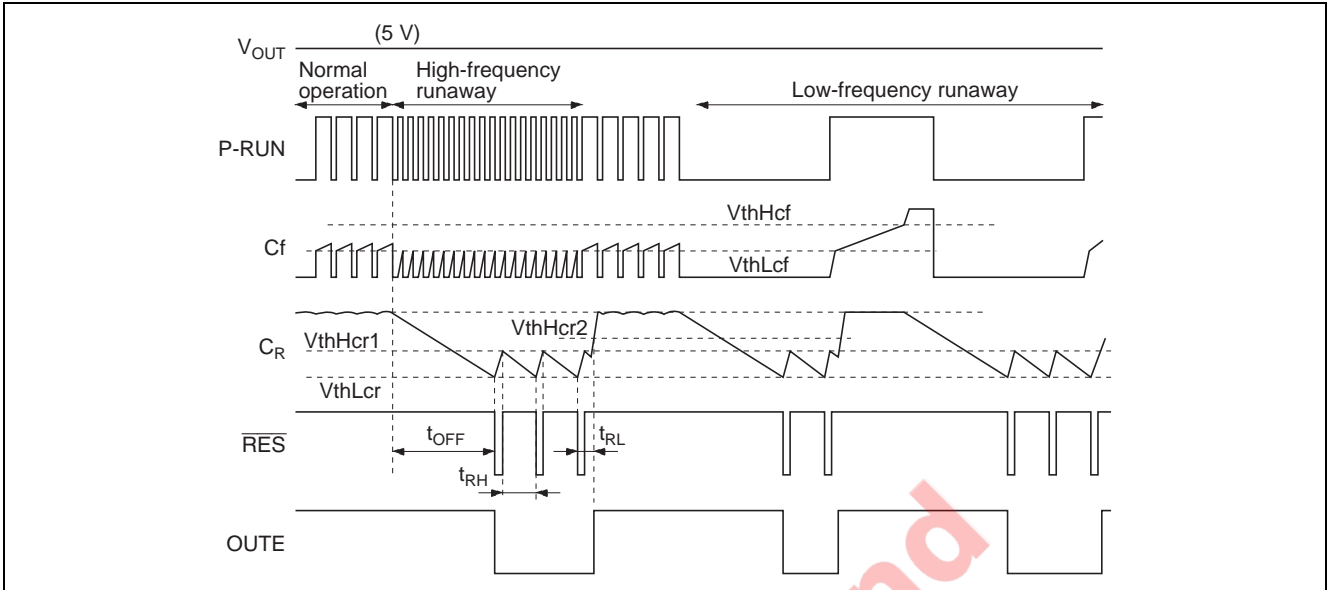
Not recommend  
for new design

## Timing Charts

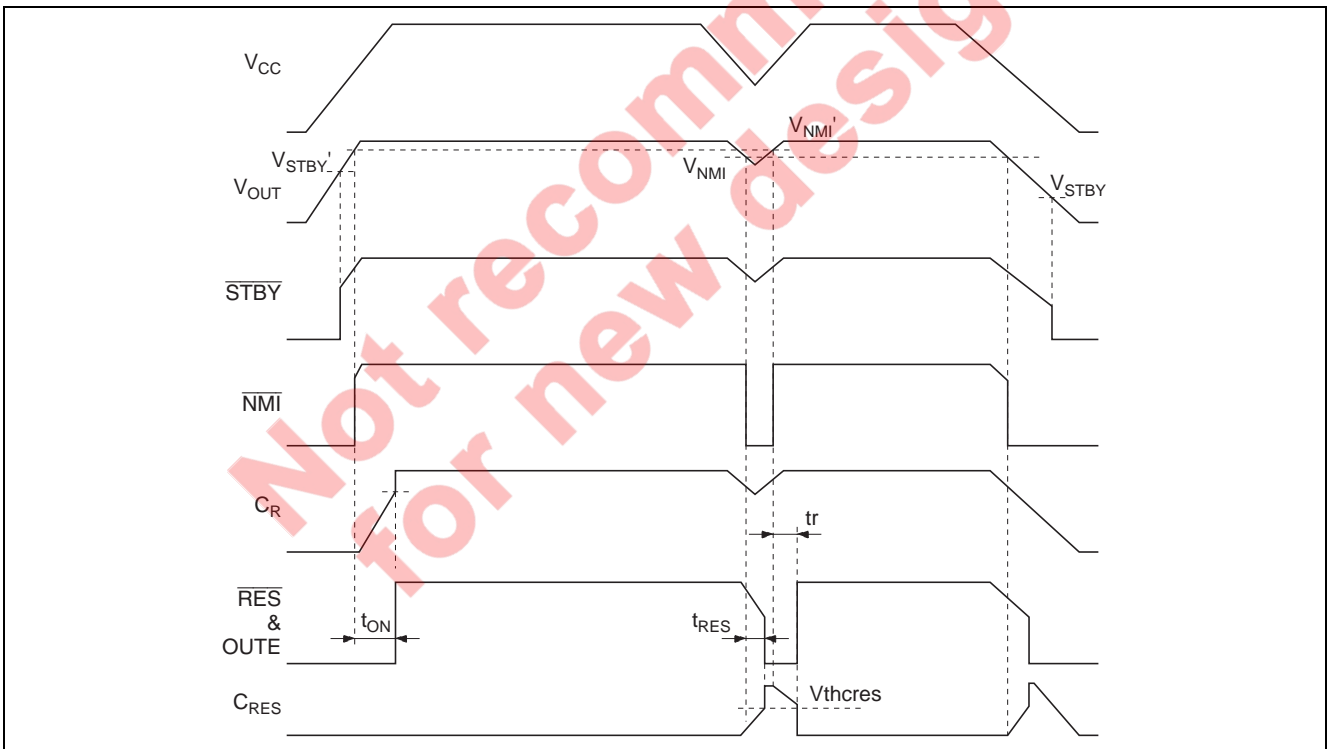
### Whole system timing chart



WDT. timing chart



LVI timing chart

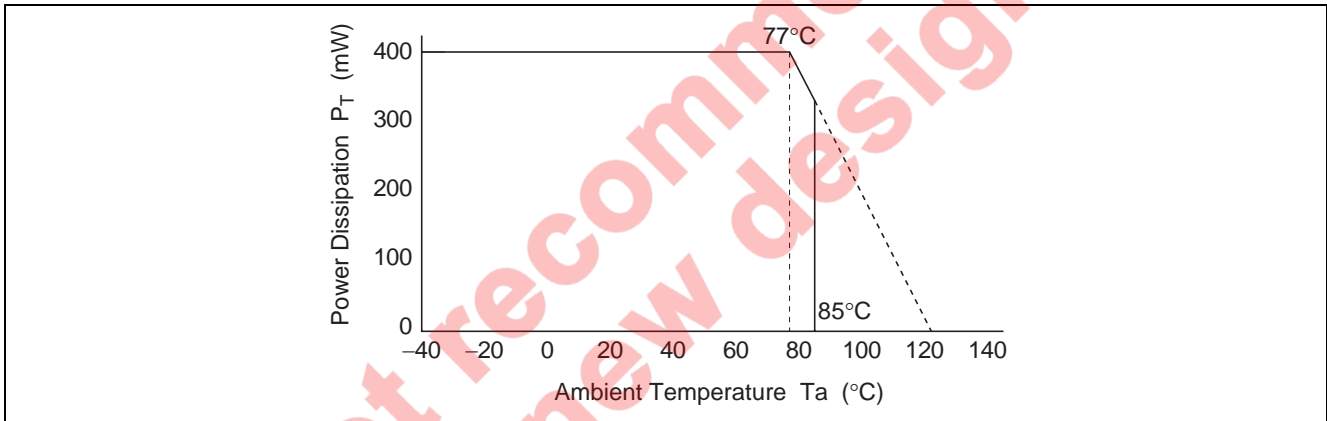


## Absolute Maximum Ratings

(Ta = 25°C)

Item	Symbol	Rating	Unit
Power supply voltage	V <sub>CC</sub>	40	V
CS pin voltage	V <sub>CS</sub>	V <sub>CC</sub>	V
CONT pin current	I <sub>cont</sub>	20	mA
CONT pin voltage	V <sub>cont</sub>	V <sub>CC</sub>	V
Vout pin voltage	V <sub>out</sub>	12	V
P-RUN pin voltage	V <sub>PRUN</sub>	V <sub>out</sub>	V
NMIsns pin voltage	V <sub>NMIsns</sub>	V <sub>CC</sub>	V
NMI pin voltage	V <sub>NMI</sub>	V <sub>out</sub>	V
STBY pin voltage	V <sub>STBY</sub>	V <sub>out</sub>	V
RES pin voltage	V <sub>RES</sub>	V <sub>out</sub>	V
OUTE pin voltage	V <sub>OUTE</sub>	V <sub>out</sub>	V
Power dissipation <sup>*1</sup>	P <sub>T</sub>	400	mW
Operating temperature	T <sub>opr</sub>	-40 to +85	°C
Storage temperature	T <sub>stg</sub>	-50 to +125	°C

Note: 1. This is the allowable value when mounted on a 40 × 40 × 1.6 mm glass-epoxy printed circuit board with a mounting density of 10% at ambient temperatures up to Ta = 77°C. This value must be derated by 8.3 mW/°C above that temperature.



## Electrical Characteristics

( $T_a = 25^\circ\text{C}$ ,  $V_{CC} = 12\text{V}$ ,  $V_{out} = 5.0\text{V}$ ,  $R_f = R_R = 180\text{k}\Omega$ ,  $C_f = 3300\text{pF}$ ,  $C_R = 0.1\mu\text{F}$ ,  $R_T = 390\text{k}\Omega$ ,  $C_{RES} = 1500\text{pF}$ ,  $R_{CS} = 0.2\Omega$ )

Item		Symbol	Min	Typ	Max	Unit	Test Conditions
Power supply current		$I_{CC}$	–	10	15	mA	
Current limiter voltage		$V_{CS}$	100	150	200	mV	$V_{CS} = (V_{CC} \text{ pin voltage} - \text{CS pin voltage})$
Regulator block	Output voltage	$V_{out}$	4.925	5.00	5.075	V	$V_{CC} = 12\text{V}$ , $I_{cont} = 5\text{mA}$
	Input voltage stabilization	$V_{olin}$	–30	–	30	mV	$V_{CC} = 6 \text{ to } 17.5\text{V}$ , $I_{cont} = 10\text{mA}$
	Load current stabilization	$V_{oload}$	–30	–	30	mV	$I_{cont} = 0.1 \text{ to } 15\text{mA}$
	Ripple exclusion ratio	$R_{REJ}$	(45)	75	–	dB	$V_i = 0.5\text{V}_{rms}$ , $f_i = 1\text{kHz}$
	Output voltage temperature coefficient	$ \delta V_{out}/\delta T $	–	40	(200)	ppm/ $^\circ\text{C}$	$I_{cont} = 5\text{mA}$
	Output voltage adjustment range	$V_{oMAX}$	–	–	7.0	V	
P-RUN input block	Input high-level voltage	$V_{iH}$	2.0	–	–	V	
	Input low-level voltage	$V_{iL}$	–	–	0.8	V	
	Input high-level current	$I_{iH}$	–	300	500	$\mu\text{A}$	$V_{iH} = 5.0\text{V}$
	Input low-level current	$I_{iL}$	–5	0	5	$\mu\text{A}$	$V_{iL} = 0.0\text{V}$
$\overline{\text{NMI}}$ output block	High level	$V_{OHN}$	$V_{out} - 0.2$	$V_{out}$	$V_{out} + 0.2$	V	$I_{OHN} = 0\text{mA}$
	Low level	$V_{OLN}$	–	–	0.4	V	$I_{OLN} = 2.0\text{mA}$
	Function start voltage	$V_{STN}$	–	0.7	1.4	V	
$\overline{\text{STBY}}$ output block	High level	$V_{OHS}$	$V_{out} - 0.2$	$V_{out}$	$V_{out} + 0.2$	V	$I_{OHS} = 0\text{mA}$
	Low level	$V_{OLS}$	–	–	0.4	V	$I_{OLS} = 2.0\text{mA}$
	Function start voltage	$V_{STS}$	–	0.7	1.4	V	

Note: Values in parentheses are design reference values.

## Electrical Characteristics (cont.)

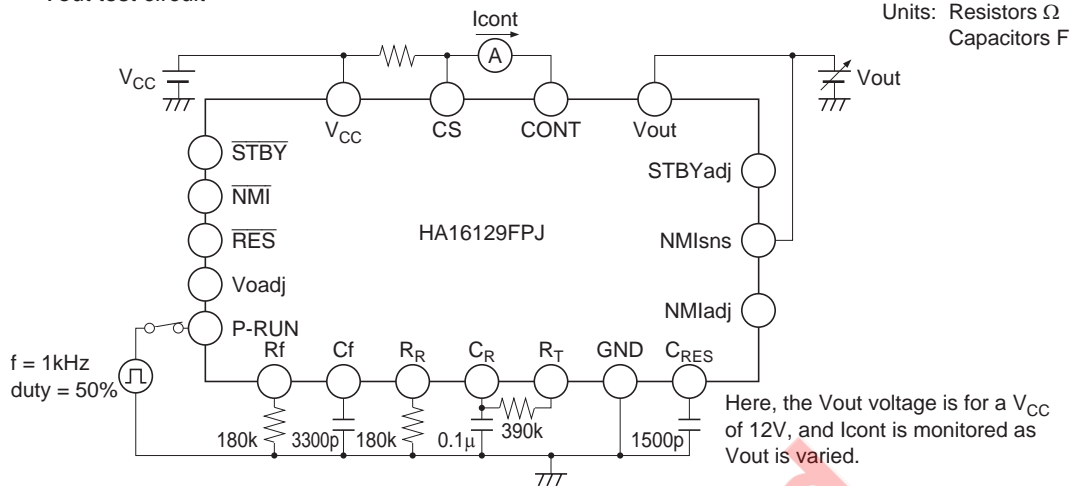
( $T_a = 25^\circ\text{C}$ ,  $V_{CC} = 12\text{V}$ ,  $V_{out} = 5.0\text{V}$ ,  $R_f = R_R = 180\text{k}\Omega$ ,  $C_f = 3300\text{pF}$ ,  $C_R = 0.1\mu\text{F}$ ,  $R_T = 390\text{k}\Omega$ ,  $C_{RES} = 1500\text{pF}$ ,  $R_{CS} = 0.2\Omega$ )

Item		Symbol	Min	Typ	Max	Unit	Test Conditions	
RES output block	High level	$V_{OHR}$	$V_{out} - 0.2$	$V_{out}$	$V_{out} + 0.2$	V	$I_{OHR} = 0\text{mA}$	
	Low level	$V_{OLR}$	–	–	0.4	V	$I_{OLR} = 2.0\text{mA}$	
	Function start voltage	$V_{STR}$	–	0.7	1.4	V		
OUTE output block	High level	$V_{OHE}$	$V_{out} - 0.2$	$V_{out}$	$V_{out} + 0.2$	V	$I_{OHE} = 0\text{mA}$	
	Low level	$V_{OLE}$	–	–	0.4	V	$I_{OLE} = 2.0\text{mA}$	
	Function start voltage	$V_{STE}$	–	0.7	1.4	V		
RES function	Power on time	$t_{on}$	25	40	60	ms		
	Clock off time	$t_{off}$	80	130	190	ms		
	Reset pulse high time	$t_{RH}$	40	60	90	ms		
	Reset pulse low time	$t_{RL}$	15	20	30	ms		
LVI function	NMI function ( $V_{out}$ detection)	Detection voltage 1	$V_{NMI1}$	4.5	4.63	4.75	V	
		Hysteresis 1	$V_{HYSN1}$	–	50	100	mV	
		Temperature coefficient	$ \delta V_{NMI}/\delta T $	–	100	(400)	ppm/ $^\circ\text{C}$	
	NMI function ( $V_{CC}$ detection)	Detection voltage 2	$V_{NMI2}$	5.0	5.4	5.7	V	$R1 = 13\text{k}\Omega$ , $R2 = 390\text{k}\Omega$
		Hysteresis 2	$V_{HYSN2}$	0.5	0.8	1.3	V	$R1 = 13\text{k}\Omega$ , $R2 = 390\text{k}\Omega$
	STBY function	Detection voltage	$V_{STBY}$	2.70	3.00	3.30	V	
		Hysteresis	$V_{HYSS}$	1.20	1.35	1.50	V	
		Temperature coefficient	$ \delta V_{STBY}/\delta T $	–	100	(400)	ppm/ $^\circ\text{C}$	
	RES delay time	Disable time	$t_{RES}$	(100)	200	(300)	$\mu\text{s}$	
Recovery time		$t_r$	(100)	200	(300)	$\mu\text{s}$		

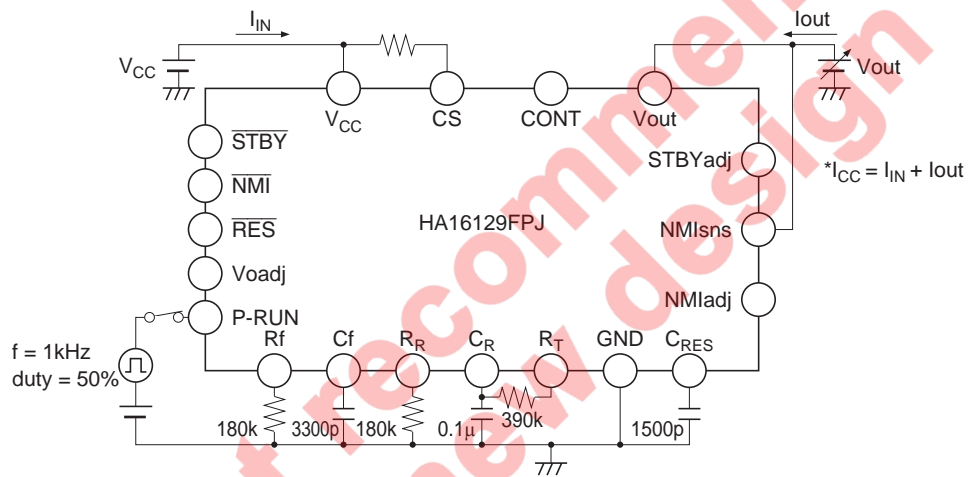
Note: Values in parentheses are design reference values.

Test Circuits

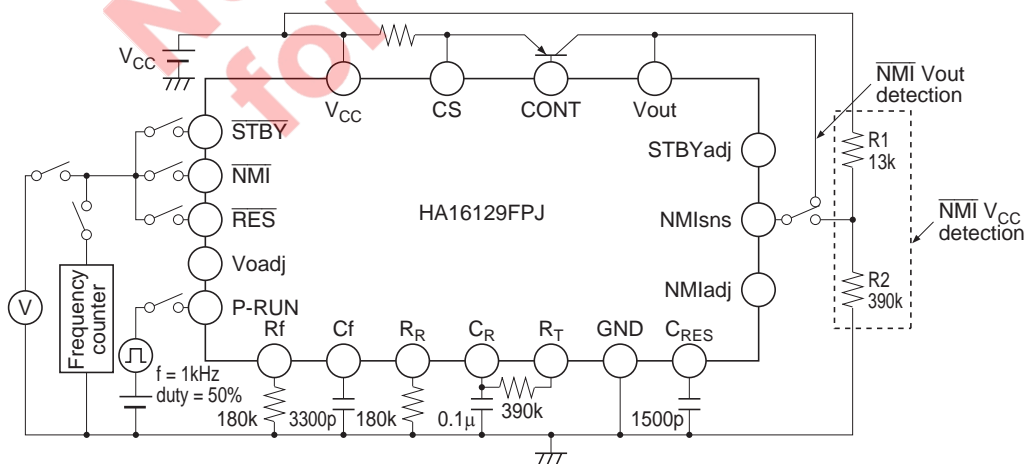
• Vout test circuit



• ICC test circuit

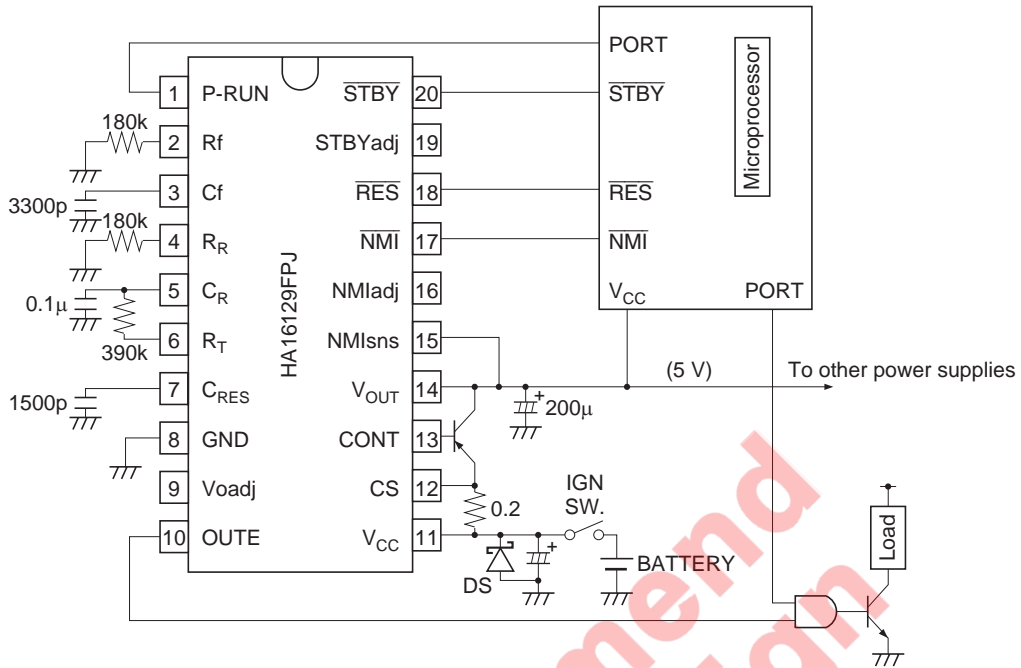


• Test circuit for other parameters

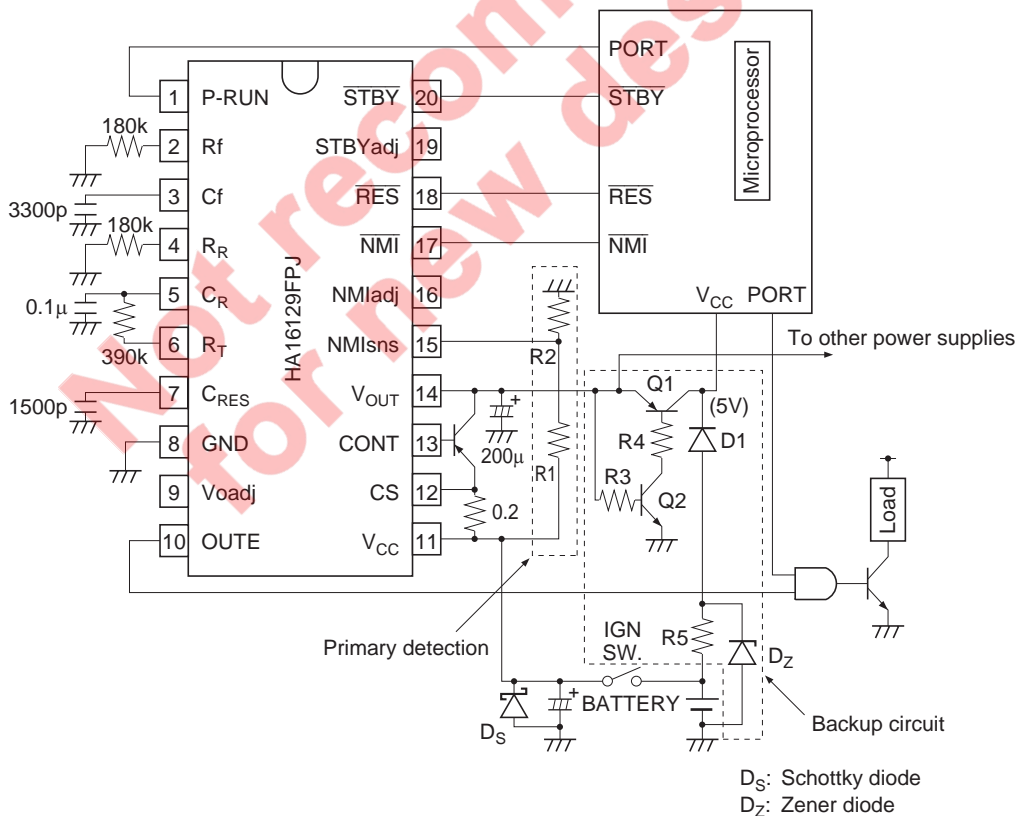


System Circuit Examples

- Example of a basic system

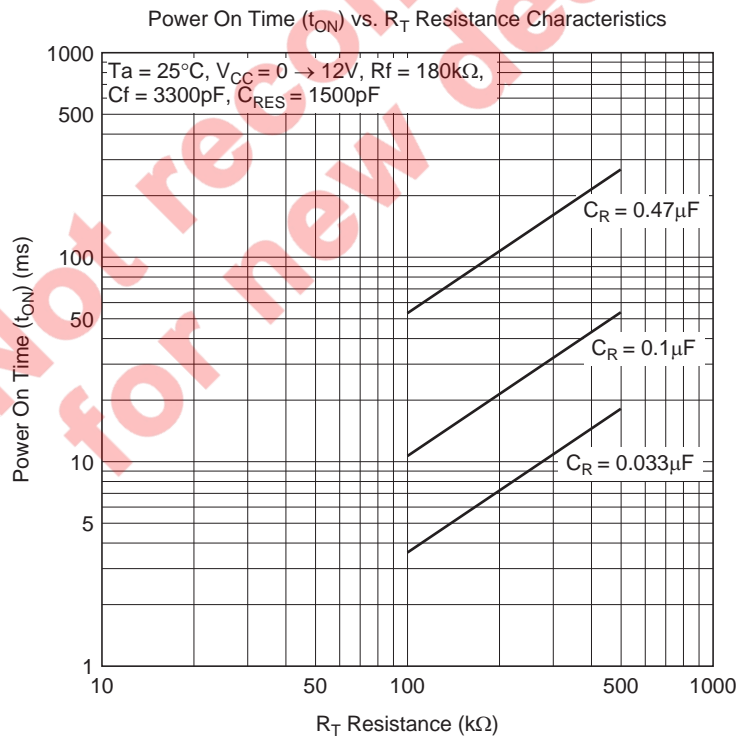
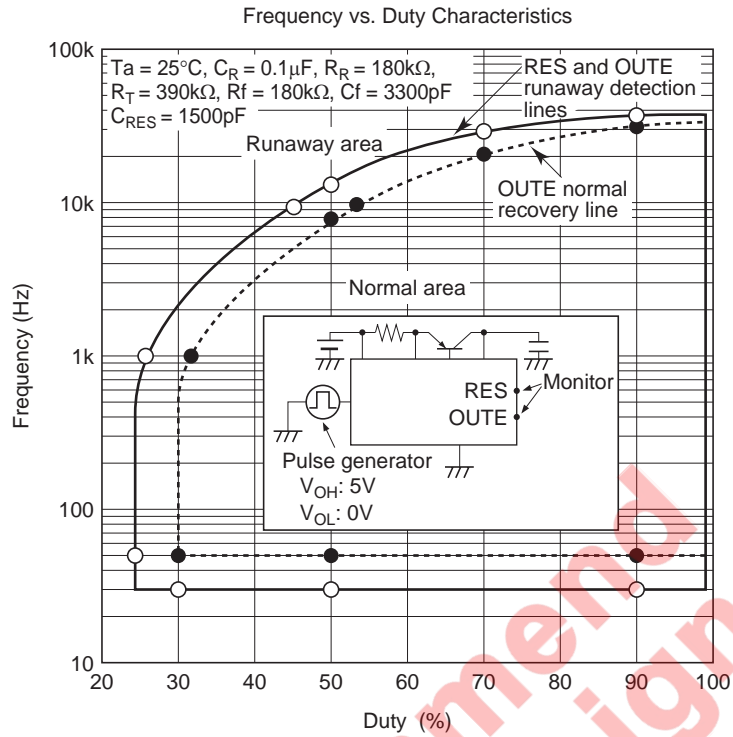


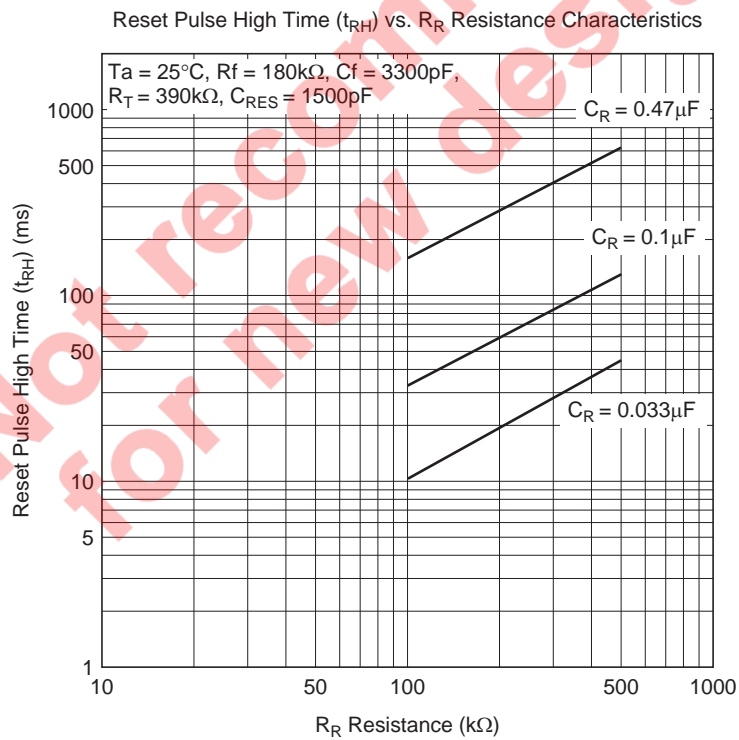
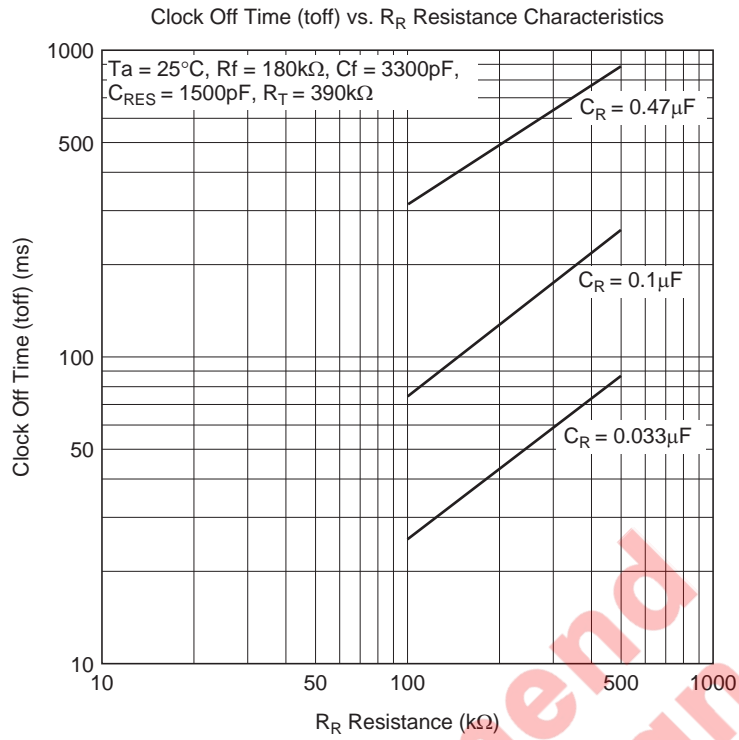
- Example of a system using a backup circuit and a primary voltage monitoring circuit

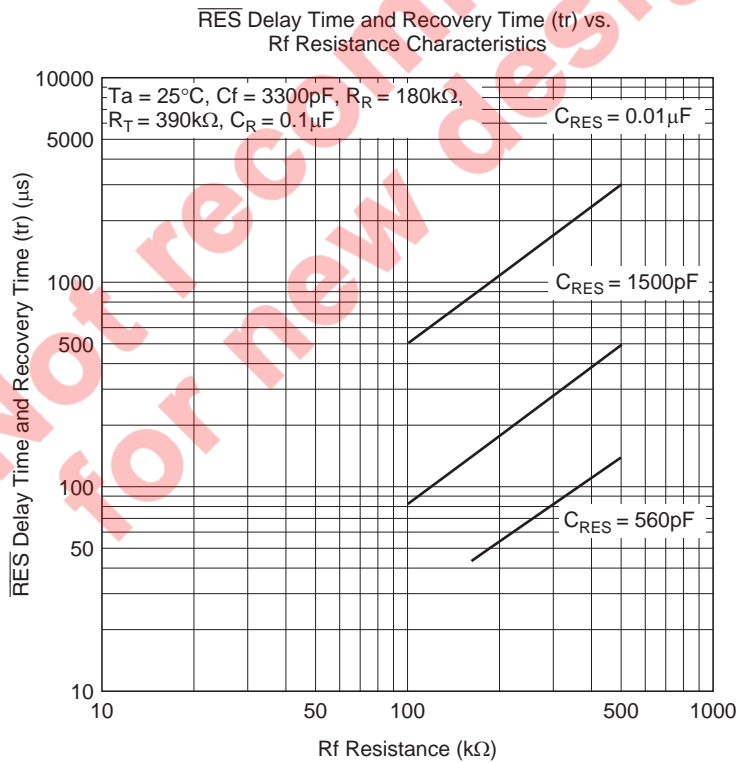
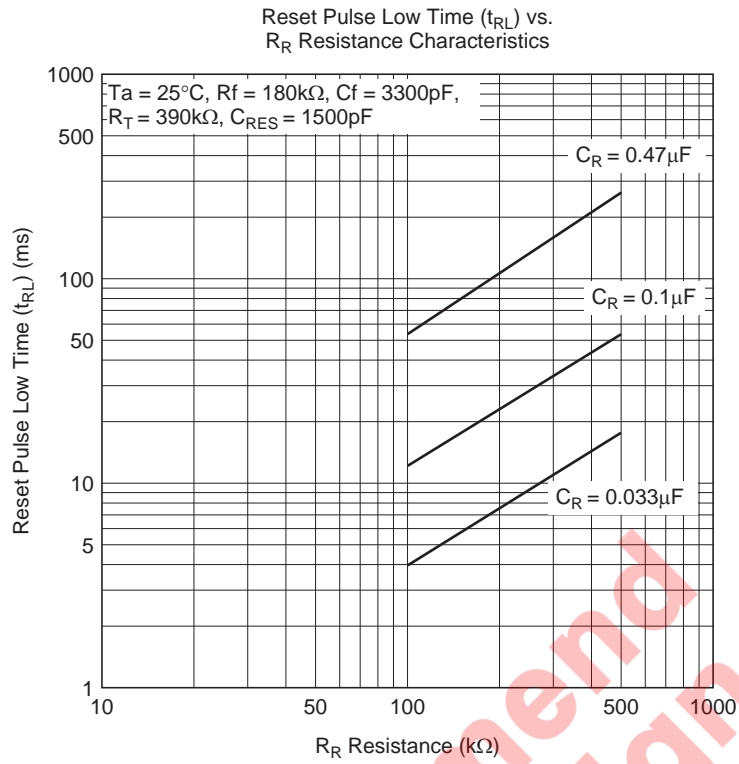




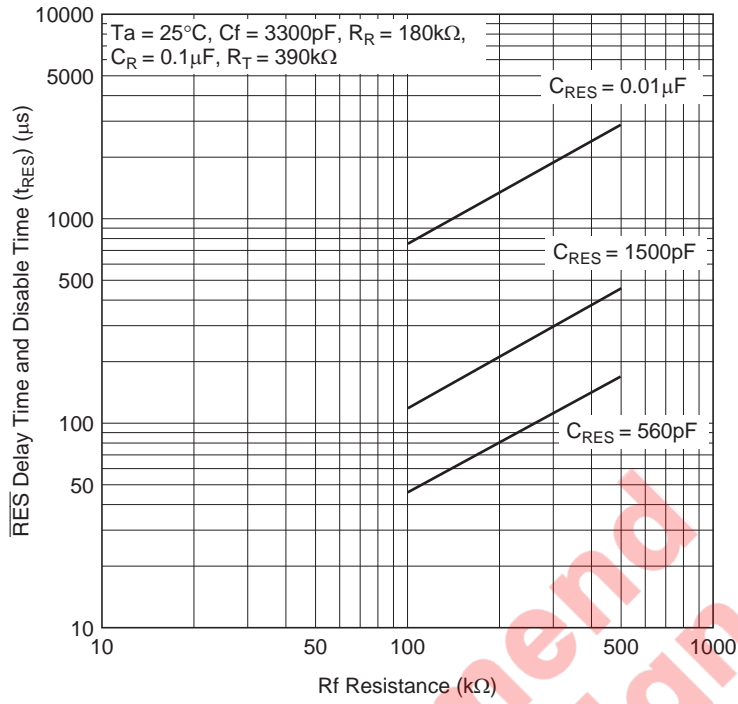
Operating Waveforms



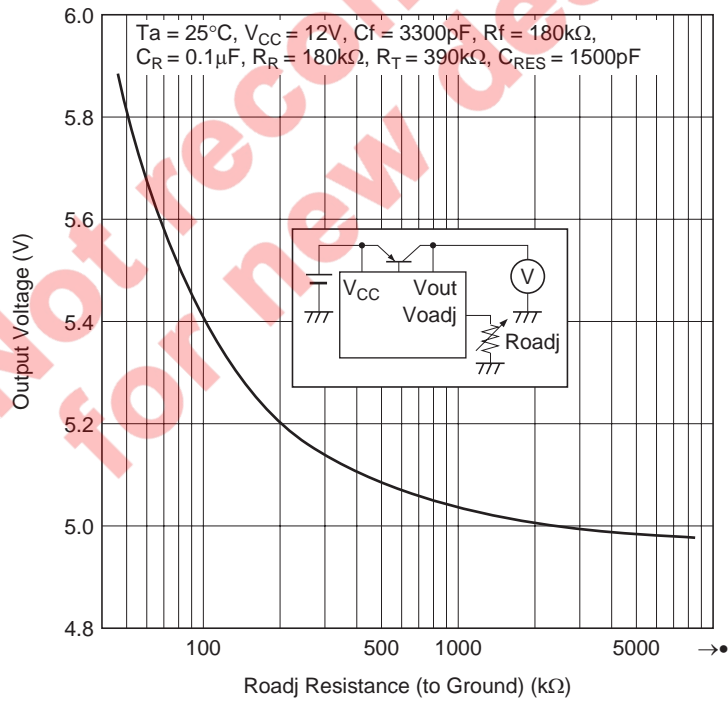


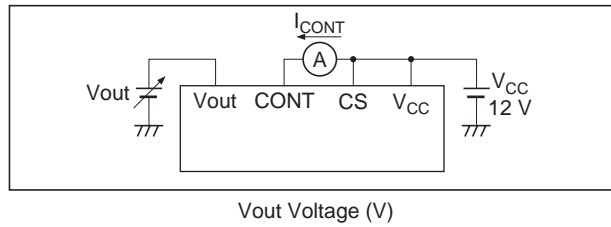
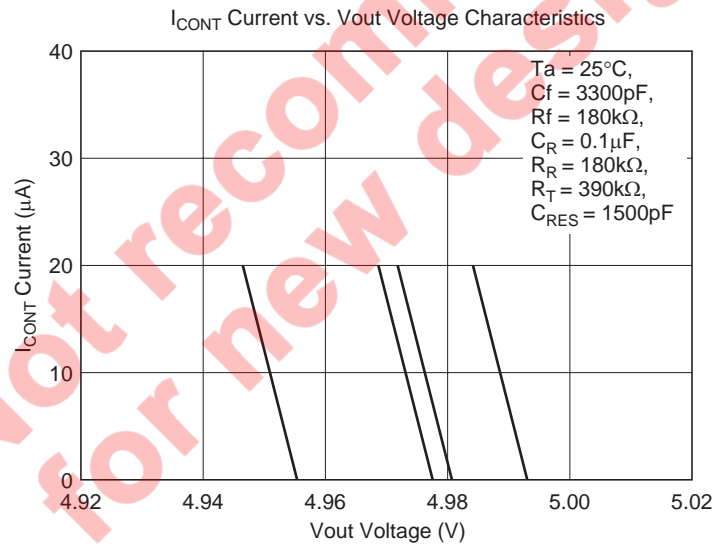
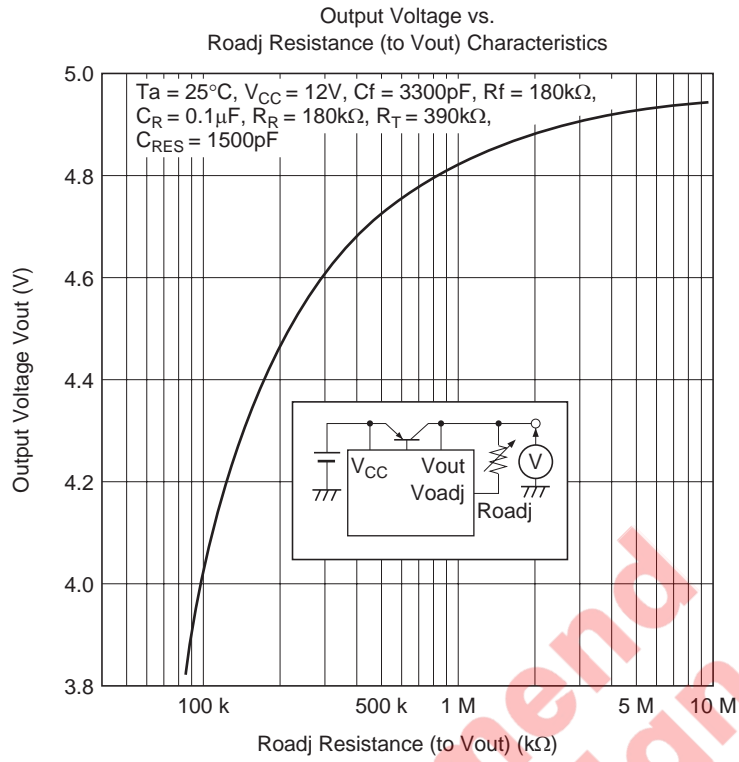


RES Delay Time and Disable Time ( $t_{RES}$ ) vs. Rf Resistance Characteristics

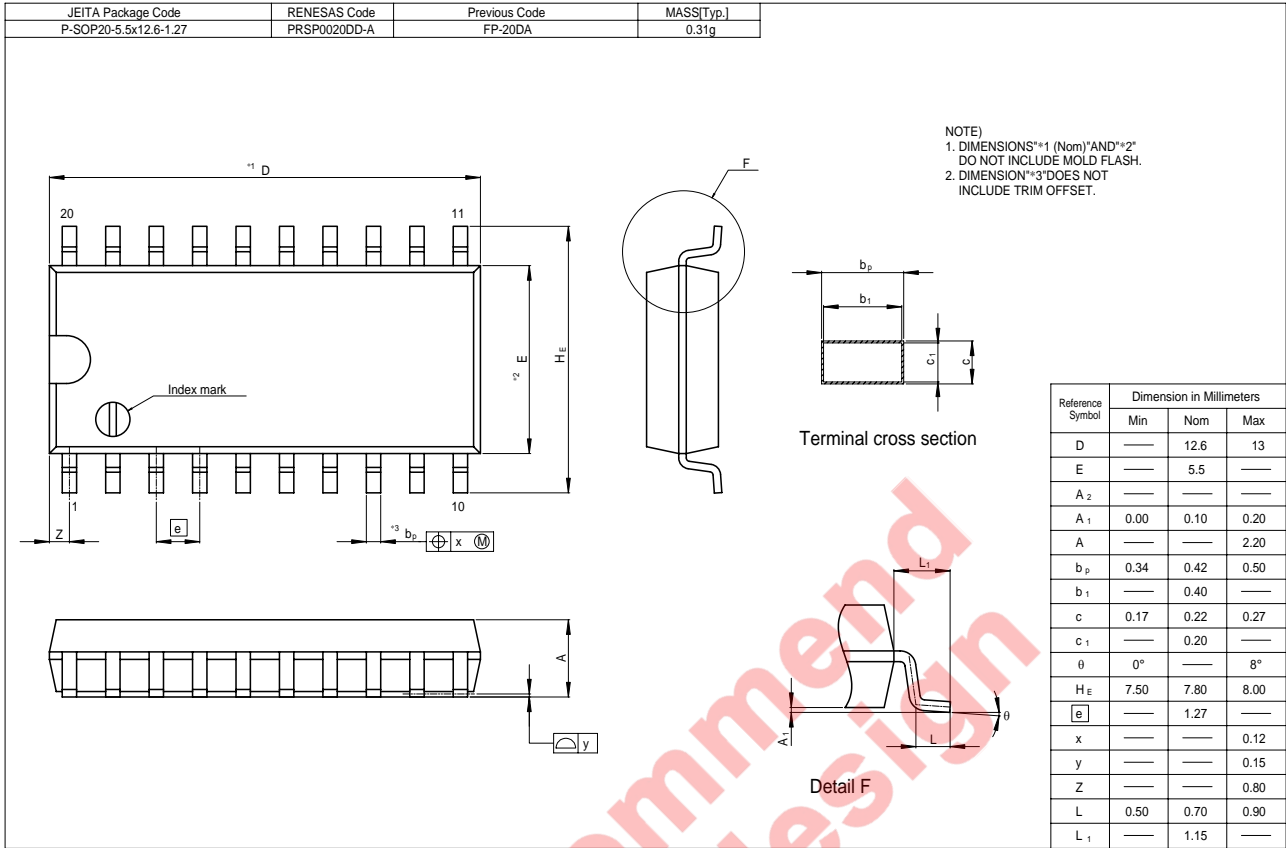


Output Voltage vs. Roadj Resistance (to Ground) Characteristics





Package Dimensions



Not recommended for new design

**Renesas Technology Corp.** Sales Strategic Planning Div. Nippon Bldg., 2-6-2, Ohte-machi, Chiyoda-ku, Tokyo 100-0004, Japan

---

Keep safety first in your circuit designs!

1. Renesas Technology Corp. puts the maximum effort into making semiconductor products better and more reliable, but there is always the possibility that trouble may occur with them. Trouble with semiconductors may lead to personal injury, fire or property damage.  
Remember to give due consideration to safety when making your circuit designs, with appropriate measures such as (i) placement of substitutive, auxiliary circuits, (ii) use of nonflammable material or (iii) prevention against any malfunction or mishap.

Notes regarding these materials

1. These materials are intended as a reference to assist our customers in the selection of the Renesas Technology Corp. product best suited to the customer's application; they do not convey any license under any intellectual property rights, or any other rights, belonging to Renesas Technology Corp. or a third party.
  2. Renesas Technology Corp. assumes no responsibility for any damage, or infringement of any third-party's rights, originating in the use of any product data, diagrams, charts, programs, algorithms, or circuit application examples contained in these materials.
  3. All information contained in these materials, including product data, diagrams, charts, programs and algorithms represents information on products at the time of publication of these materials, and are subject to change by Renesas Technology Corp. without notice due to product improvements or other reasons. It is therefore recommended that customers contact Renesas Technology Corp. or an authorized Renesas Technology Corp. product distributor for the latest product information before purchasing a product listed herein.  
The information described here may contain technical inaccuracies or typographical errors.  
Renesas Technology Corp. assumes no responsibility for any damage, liability, or other loss rising from these inaccuracies or errors.  
Please also pay attention to information published by Renesas Technology Corp. by various means, including the Renesas Technology Corp. Semiconductor home page (<http://www.renesas.com>).
  4. When using any or all of the information contained in these materials, including product data, diagrams, charts, programs, and algorithms, please be sure to evaluate all information as a total system before making a final decision on the applicability of the information and products. Renesas Technology Corp. assumes no responsibility for any damage, liability or other loss resulting from the information contained herein.
  5. Renesas Technology Corp. semiconductors are not designed or manufactured for use in a device or system that is used under circumstances in which human life is potentially at stake. Please contact Renesas Technology Corp. or an authorized Renesas Technology Corp. product distributor when considering the use of a product contained herein for any specific purposes, such as apparatus or systems for transportation, vehicular, medical, aerospace, nuclear, or undersea repeater use.
  6. The prior written approval of Renesas Technology Corp. is necessary to reprint or reproduce in whole or in part these materials.
  7. If these products or technologies are subject to the Japanese export control restrictions, they must be exported under a license from the Japanese government and cannot be imported into a country other than the approved destination.  
Any diversion or reexport contrary to the export control laws and regulations of Japan and/or the country of destination is prohibited.
  8. Please contact Renesas Technology Corp. for further details on these materials or the products contained therein.
- 

**RENESAS SALES OFFICES**



<http://www.renesas.com>

Refer to "<http://www.renesas.com/en/network>" for the latest and detailed information.

**Renesas Technology America, Inc.**  
450 Holger Way, San Jose, CA 95134-1368, U.S.A  
Tel: <1> (408) 382-7500, Fax: <1> (408) 382-7501

**Renesas Technology Europe Limited**  
Dukes Meadow, Millboard Road, Bourne End, Buckinghamshire, SL8 5FH, U.K.  
Tel: <44> (1628) 585-100, Fax: <44> (1628) 585-900

**Renesas Technology Hong Kong Ltd.**  
7th Floor, North Tower, World Finance Centre, Harbour City, 1 Canton Road, Tsimshatsui, Kowloon, Hong Kong  
Tel: <852> 2265-6688, Fax: <852> 2730-6071

**Renesas Technology Taiwan Co., Ltd.**  
10th Floor, No.99, Fushing North Road, Taipei, Taiwan  
Tel: <886> (2) 2715-2888, Fax: <886> (2) 2713-2999

**Renesas Technology (Shanghai) Co., Ltd.**  
Unit2607 Ruijing Building, No.205 Maoming Road (S), Shanghai 200020, China  
Tel: <86> (21) 6472-1001, Fax: <86> (21) 6415-2952

**Renesas Technology Singapore Pte. Ltd.**  
1 Harbour Front Avenue, #06-10, Keppel Bay Tower, Singapore 098632  
Tel: <65> 6213-0200, Fax: <65> 6278-8001