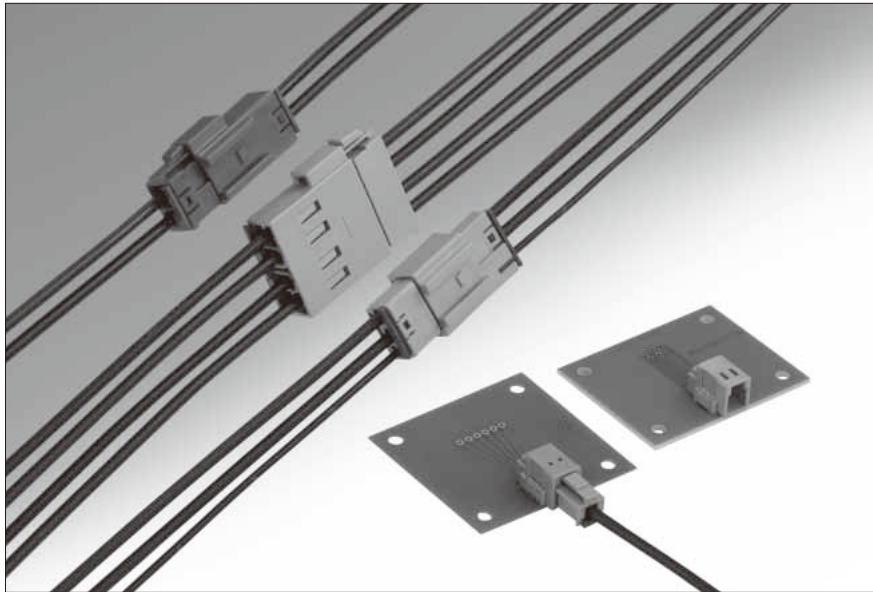


# GT21 Series GT21A Series

— Compact connector for coaxial cable —

<Inline type and Board type>



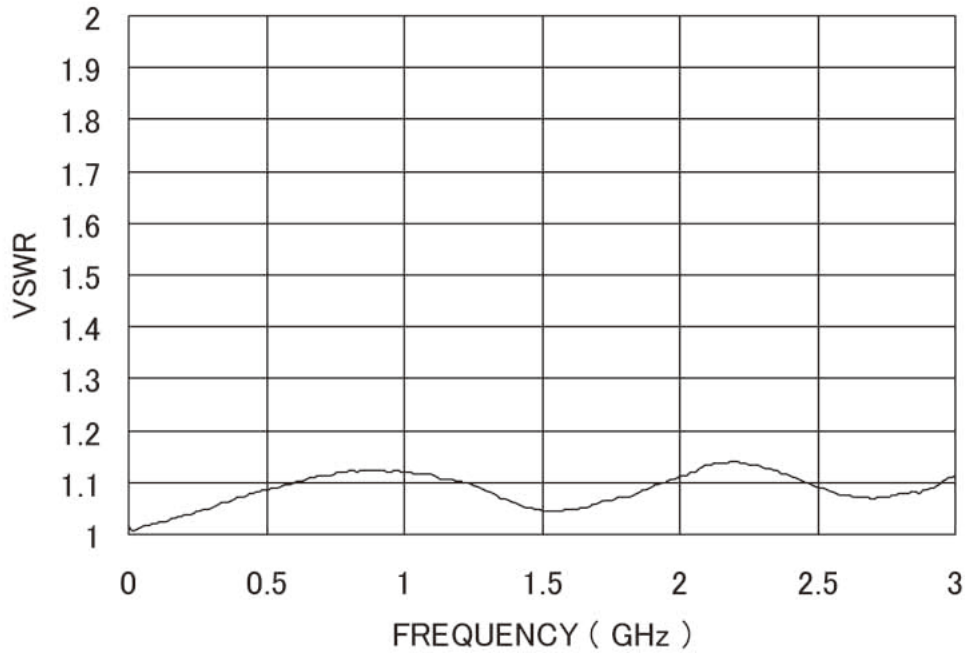
## ■ Features

- **Stable harness quality** :“One-step” crimping structure of center and outer conductors provides stable harness quality.  
Operators can complete harnessing without touching a center conductor. Thus, a high precision of center conductor positioning can be maintained irrespective of operators’skill levels.
- **Reduce assembly cost** :“One-step” crimp termination of center and outer conductors reduces assembly cost.
- **Compact design**: The new products are smaller than the existing GT5 series.
- **Excellent high-frequency response characteristics**: V.S.W.R is lower than 1.5 at DC~2.5GHz.
- **The maximum coaxial cable diameter for GT21 series is  $\phi$ 3.1mm. ( $\phi$ 5.2mm for GT21A Series)**

## ■ Applications

Digital television, radio, automobile sensors (temperature, pressure, etc.), GPS, Bluetooth, cell phone, satellite radio, etc.

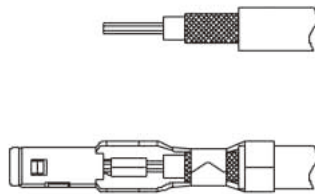
## ◆ Test Data (with 1.5D – 2V cable)



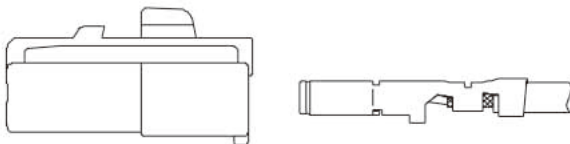
Note : Data shown in the graph above is measured with GT21-1S-HU and GT21-1P-DS.

## ◆ Cable assembly process

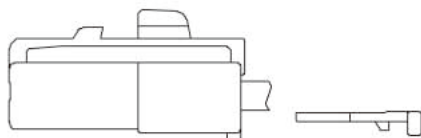
1. Strip the cable and crimp the entire terminal.



2. Insert the terminal into the housing and check that the lance is locked.

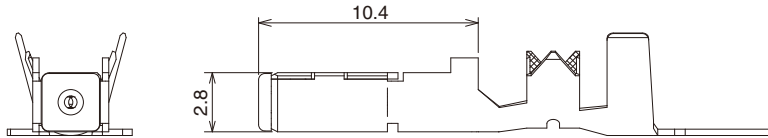
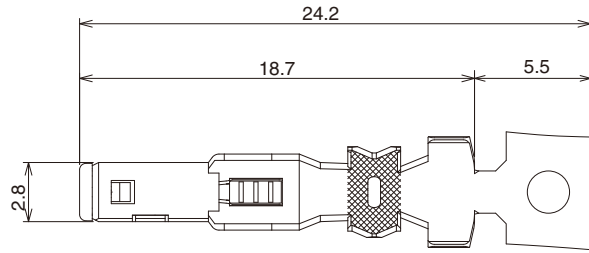


3. Insert the retainer into the housing. Check that the lock is secure and the retainer cannot be pulled out. Connection is complete.



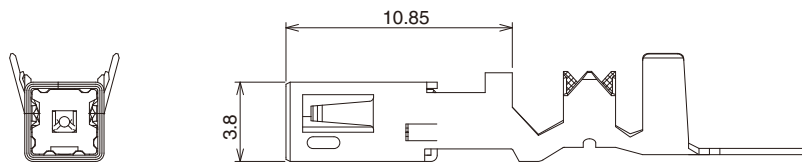
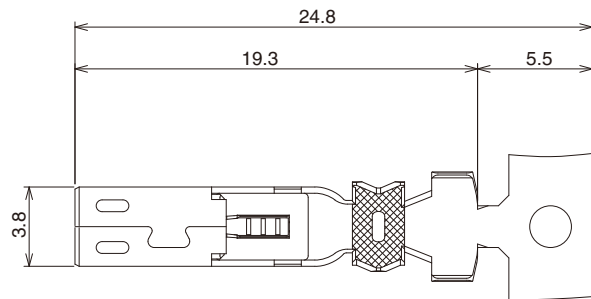
**GT21 series**

**Coaxial cable terminal for F connector**



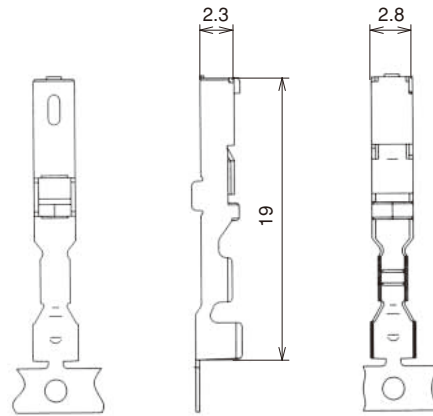
Part No.	HRS No.	Material/Plating or Color	Conductor Size (AWG)	Inner Insulation Diameter	Outer Diameter	Packaging	RoHS
GT21-30/1.6-2.9SCF	771-0012-4 00	Insulator : PPS / Black Center terminal : Phosphor bronz / Tin plating Outer terminal : Brass / Tin plating	30 AWG strand wire	φ1.5 to 2.0	φ2.6 to 3.1	5,500 pcs/reel	YES
GT21-30/1.6-2.9SCF(ID)	771-0057-2 00		30 AWG single wire				
GT21-2428/1.6-2.9SCF	771-0004-6 00		24 to 28 AWG				
GT21-30/1.1-2.2SCF	771-0040-0 00		φ 0.32 single wire				

**Coaxial cable terminal for M connector**



Part No.	HRS No.	Material/Plating or Color	Conductor Size (AWG)	Inner Insulation Diameter	Outer Diameter	Packaging	RoHS
GT21-30/0.7-1.5PCF	771-0056-0 00	Ins ulator : PBT / Black Center terminal : Brass / Tin plating Outer terminal : Brass / Tin plating	30 AWG strand wire	φ0.6 to 0.9	φ1.4 to 1.8	5,000 pcs/reel	YES
GT21-30/1.6-2.9PCF	771-0051-6 00		30 AWG single wire	φ1.5 to 2.0	φ2.6 to 3.1		
GT21-30/1.6-2.9PCF(ID)	771-0066-3 00						
GT21-2428/1.6-2.9PCF	771-0013-7 00						

## Power terminal for F connector

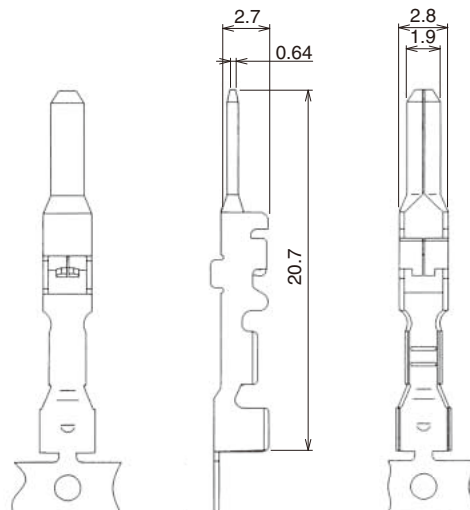


Part No.	HRS No.	Material	Plating	Conductor Size (AWG)	Outer Diameter	Packaging	RoHS
GT7-2022SCF(70)	757-0001-1 70	Copper alloy	Tin plating	20 to 22 AWG	$\phi 1.4$ to 2.4	5,000 pcs/reel	YES
GT7A-2022SCF(70)	757-0003-7 70				$\phi 2.6$ to 3.1	3,000 pcs/reel	

Note 1 : Products are sold in reel unit. (See the Packaging columns above for number of pieces in one reel.)

Note 2 : This product cannot be used with other manufacturers' housing.

## Power terminal for M connector

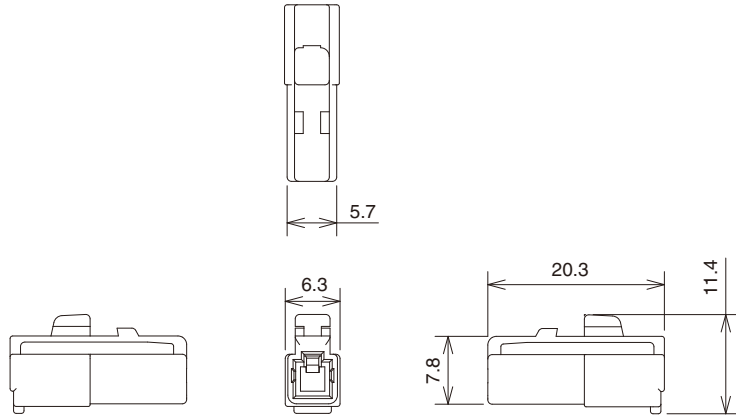
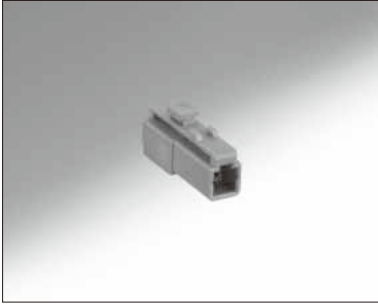


Part No.	HRS No.	Material	Plating	Conductor Size (AWG)	Outer Diameter	Packaging	RoHS
GT7-2022APCF(70)	757-0002-4 70	Brass	Tin plating	20 to 22 AWG	$\phi 1.4$ to 2.4	5,000 pcs/reel	YES
GT7A-2022PCF(70)	757-0004-0 70				$\phi 2.6$ to 3.1	3,000 pcs/reel	

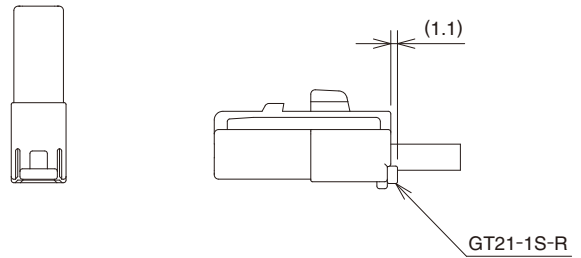
Note 1 : Products are sold in reel unit. (See the Packaging columns above for number of pieces in one reel.)

Note 2 : This product cannot be used with other manufacturers' housing.

## ■ Housing for F connector (1 coaxial)



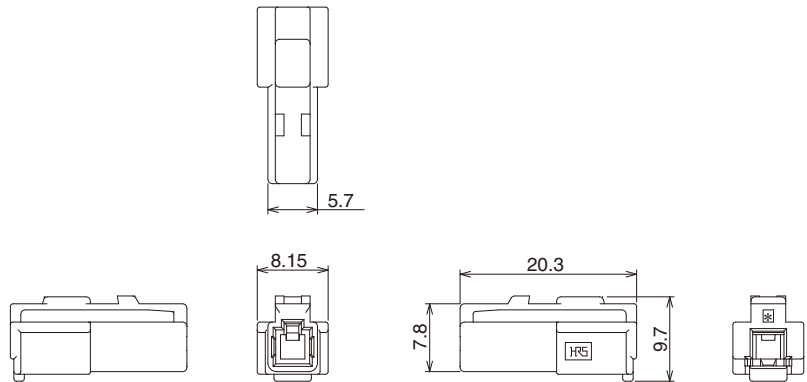
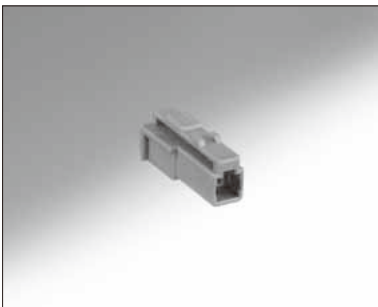
### ◆ Retainer installed



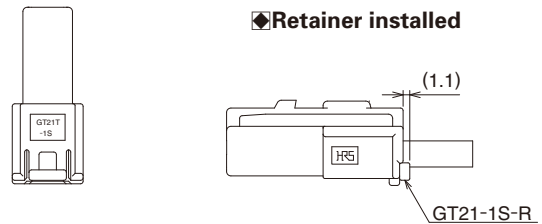
Part No.	HRS No.	Material	Color	Packaging	RoHS
GT21-1S-HU	771-0005-9 00	PBT	Light Gray	1	YES

Note1 : Applicable terminal : GT21 series coaxial cable terminal for F connector  
 Note2 : Use this product with the optional retainer (GT21-1S-R).

## ■ Housing for F connector (1 coaxial)



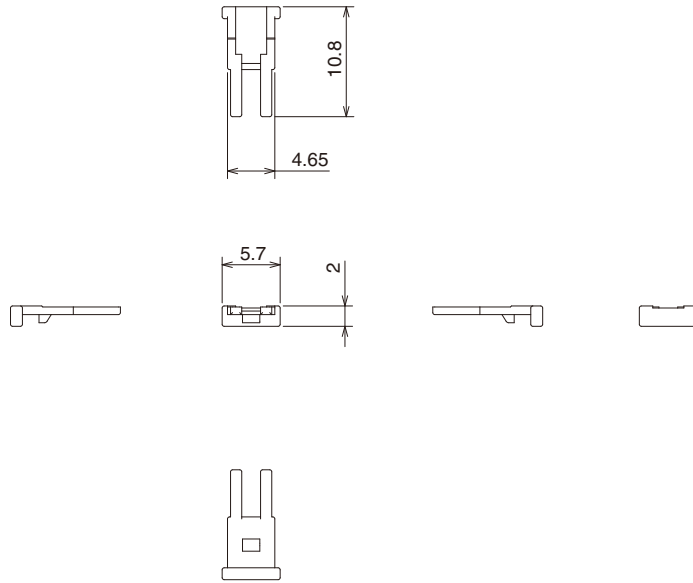
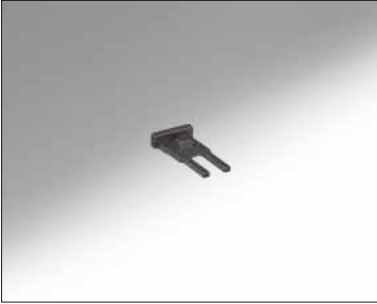
### ◆ Retainer installed



Part No.	HRS No.	Material	Color	Packaging	RoHS
GT21T-1S-HU	771-0018-0 00	PBT	Light Gray	1	YES

Note1 : Applicable terminal : GT21 series coaxial cable terminal for F connector  
 Note2 : Use this product with the optional retainer (GT21-1S-R).

## ■ Retainer for F connector (1 coaxial)

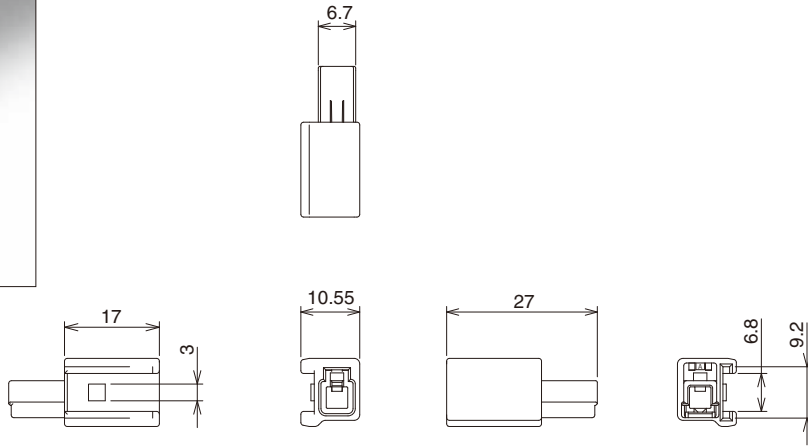


Part No.	HRS No.	Material	Color	Packaging	RoHS
GT21-1S-R	771-0006-1 00	PBT	Dark Gray	1	YES

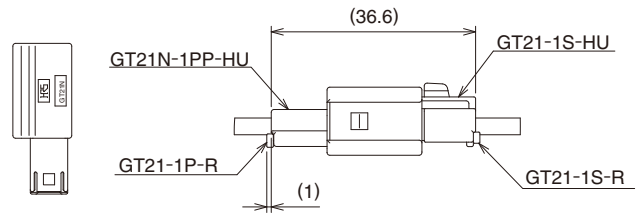
For Antenna

- GT5
- GT13
- GT16
- PO5G
- GT19
- GT21**
- GT26
- GT36
- GT11
- GT17
- GT32
- GT3
- GT7
- GT10
- GT18W
- GT25
- GT8E
- GT9
- GT15

## ■ Housing for M connector (1 coaxial, clip slot N type)



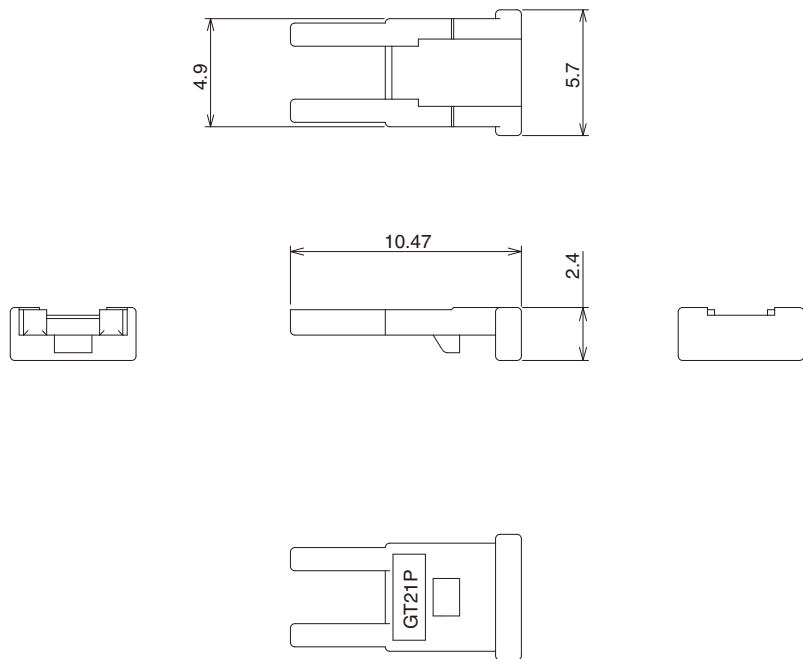
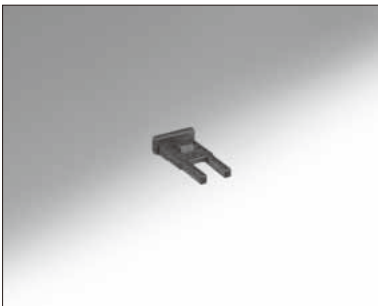
### ◆ Mated condition



Part No.	HRS No.	Material	Color	Packaging	RoHS
GT21N-1PP-HU	771-0015-2 00	PBT	Light Gray	1	YES

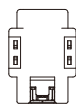
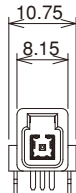
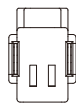
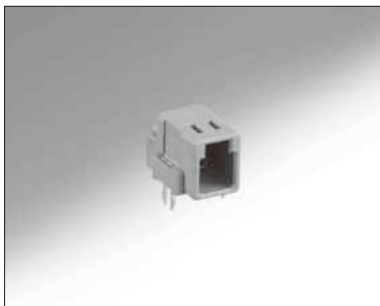
Note1 : Applicable terminal : GT21 series coaxial cable terminal for M connector  
 Note2 : Use this product with the optional retainer (GT21-1P-R).

## ■ Retainer for M connector (1 coaxial)

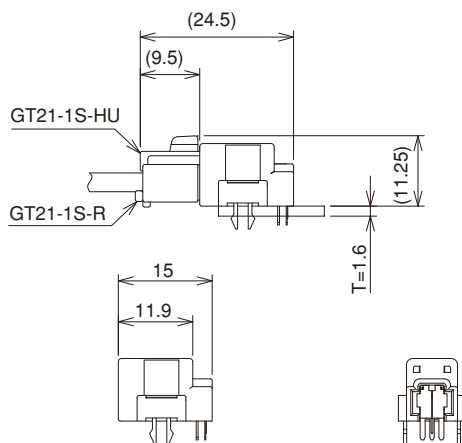


Part No.	HRS No.	Material	Color	Packaging	RoHS
GT21-1P-R	771-0016-5 00	PBT	Dark Gray	1	YES

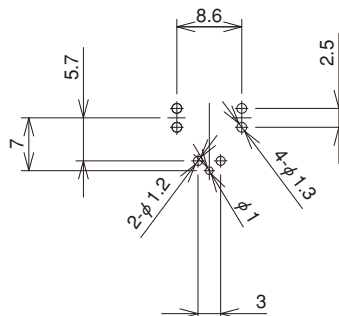
### Board connector (1 coaxial, DIP type)



#### ◆ Mated condition

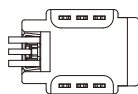
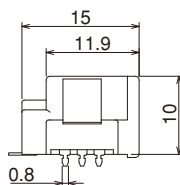
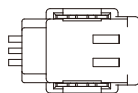


#### ◆ Recommended Board Mounting Pattern

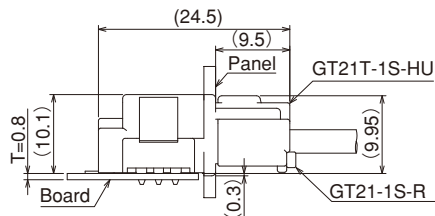


Part No.	HRS No.	Material/Plating or Color	Packaging	RoHS
GT21-1P-DS	771-0007-4 00	Housing : PPS / Light Gray Center terminal : Copper alloy / Tin plating Outer terminal : Copper alloy / Tin plating Metal reinforcement : Copper alloy / Tin plating	1	YES

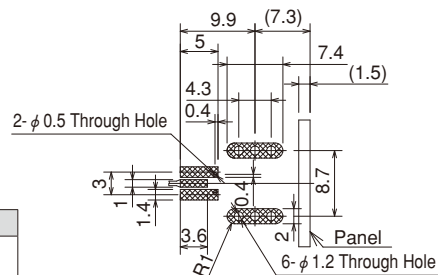
### Board connector (1 coaxial, SMT type)



#### ◆ Mated condition



#### ◆ Recommended Board Mounting Pattern

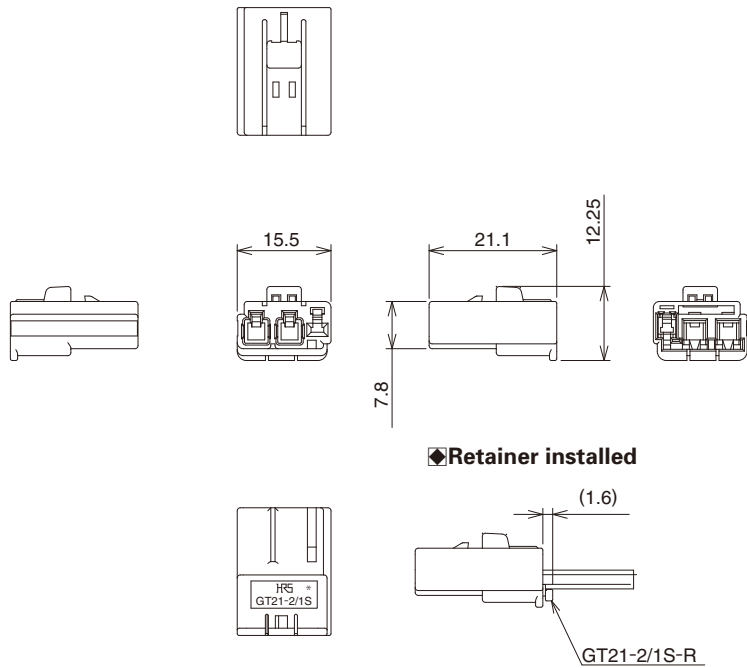
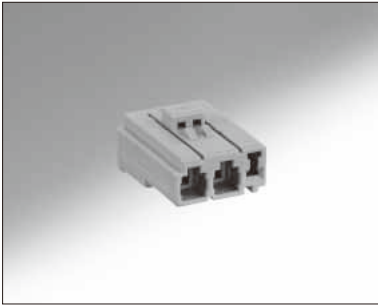


Part No.	HRS No.	Material/Plating or Color	Packaging	RoHS
GT21T-1P-H	771-0014-0 00	Housing : PA / Light Gray Center terminal : Copper alloy / Tin plating Outer terminal : Copper alloy / Tin plating Metal reinforcement : Copper alloy / Tin plating	400 pcs/reel	YES



- GT5
- GT13
- GT16
- PO5G
- GT19
- GT21**
- GT26
- GT36
- GT11
- GT17
- GT32
- GT3
- GT7
- GT10
- GT18W
- GT25
- GT8E
- GT9
- GT15

## ■ Housing for F connector (2 coaxials + 1 power)

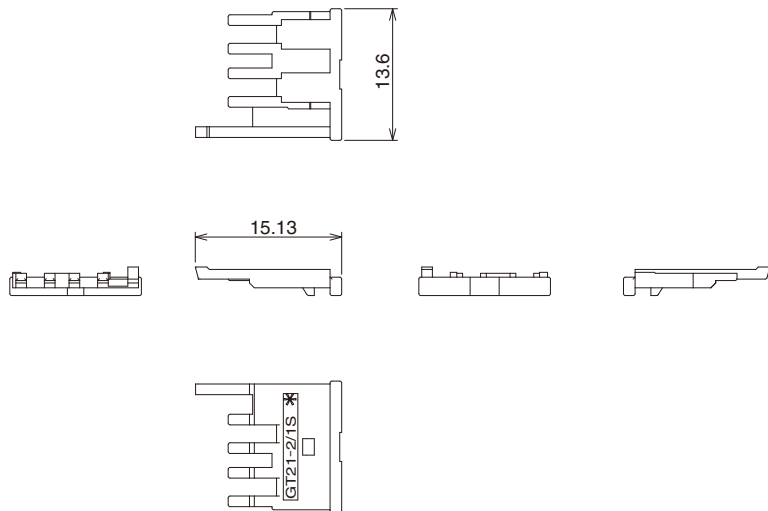
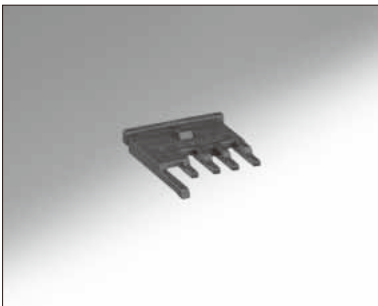


Part No.	HRS No.	Material	Color	Packaging	RoHS
GT21-2/1S-HU	771-0058-5 00	PBT	Light Gray	1	YES

Note1 : Applicable terminal : GT21 series coaxial cable terminal for F connector  
power terminal for F connector

Note2 : Use this product with the optional retainer (GT21-2/1S-R).

## ■ Retainer for F connector (2 coaxials + 1 power)

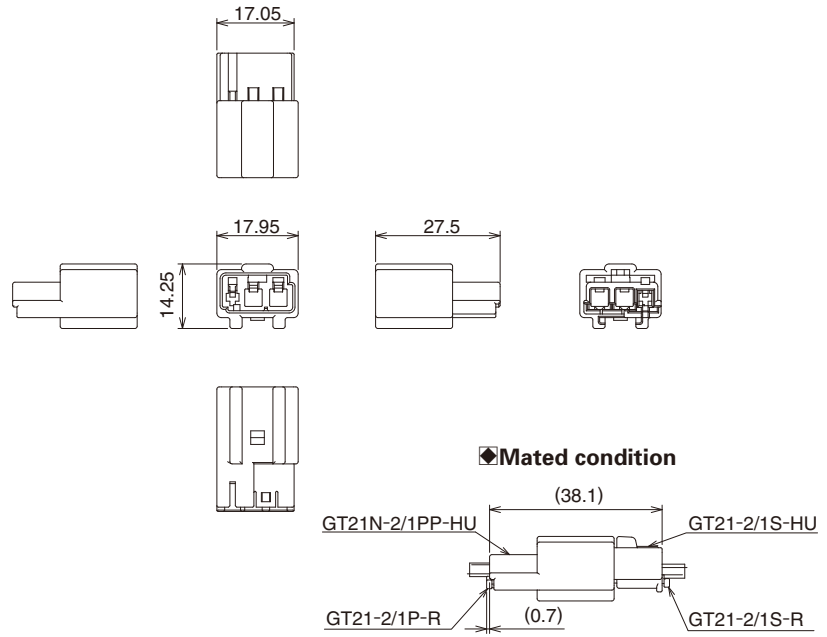
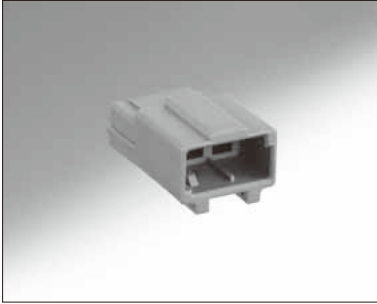


Part No.	HRS No.	Material	Color	Packaging	RoHS
GT21-2/1S-R	771-0059-8 00	PBT	Dark Gray	1	YES

For Antenna

- GT5
- GT13
- GT16
- PO5G
- GT19
- GT21**
- GT26
- GT36
- GT11
- GT17
- GT32
- GT3
- GT7
- GT10
- GT18W
- GT25
- GT8E
- GT9
- GT15

## ■ Housing for M connector (2 coaxials + 1 power, clip slot N type)

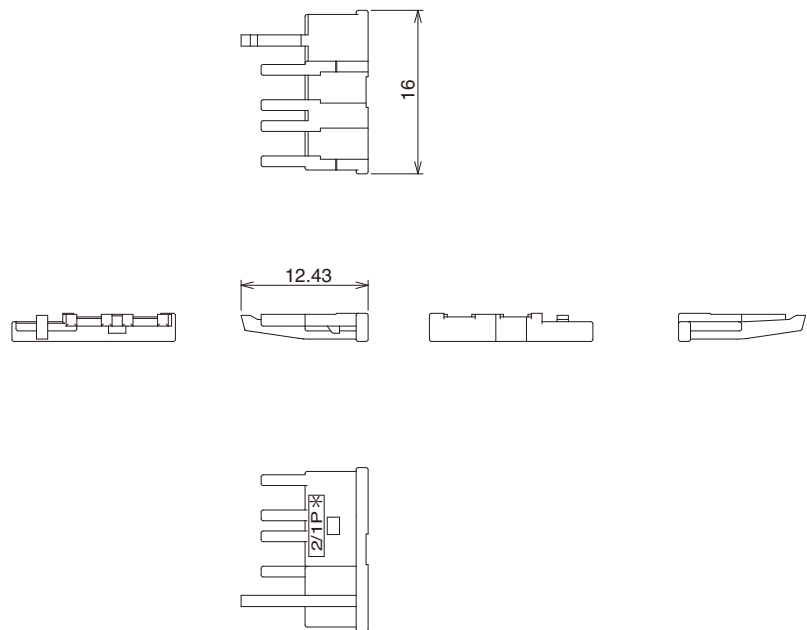
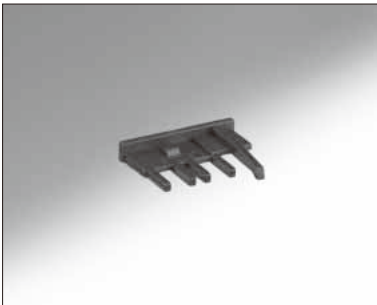


Part No.	HRS No.	Material	Color	Packaging	RoHS
GT21N-2/1PP-HU	771-0060-7 00	PBT	Light Gray	1	YES

Note1 : Applicable terminal : GT21 series coaxial cable terminal for M connector  
power terminal for M connector

Note2 : Use this product with the optional retainer (GT21-2/1P-R).

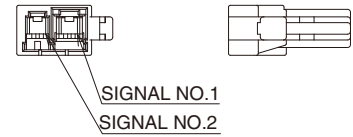
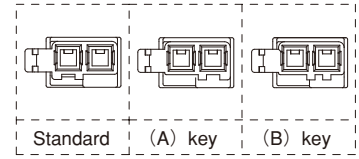
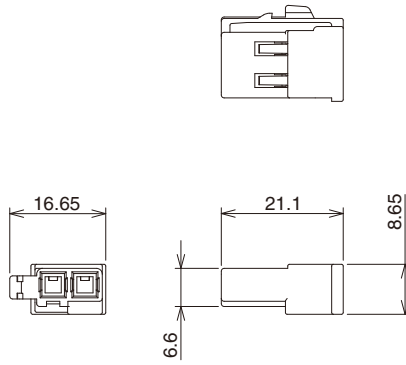
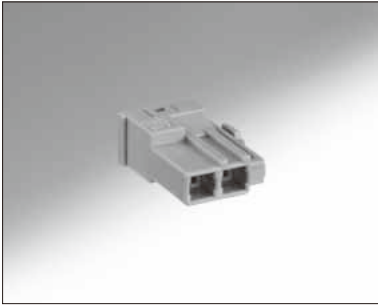
## ■ Retainer for M connector (2 coaxials + 1 power)



Part No.	HRS No.	Material	Color	Packaging	RoHS
GT21-2/1P-R	771-0061-0 00	PBT	Dark Gray	1	YES

**GT21A series**

**■ Housing for F connector (2 coaxials)**

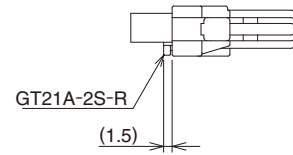


Signal No.	Maximum cable diameter
1	φ5.2
2	φ3.1

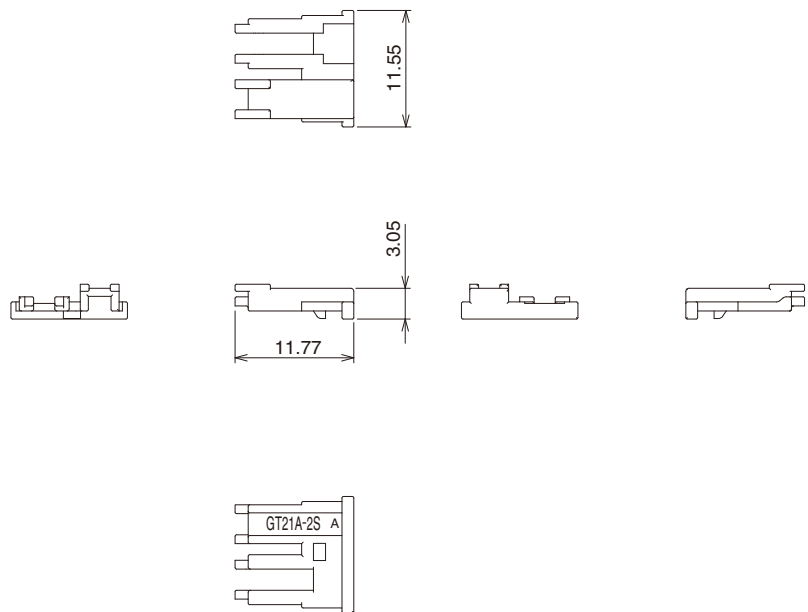
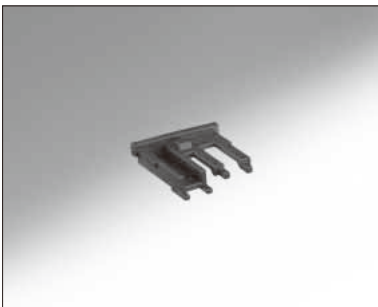
Part No.	HRS No.	Material	Color	Key position	Packaging	RoHS
GT21A-2S-HU	771-0044-0 00	PBT	Light Gray	Standard	1	YES
GT21A-2S-HU(A)	771-0048-1 00		Brown	(A)		
GT21A-2S-HU(B)	771-0068-9 00		Green	(B)		

Note1 : Applicable terminal : GT21 series coaxial cable terminal for F connector.  
 Note2 : Use this product with the optional retainer (GT21A-2S-R).

**◆ Retainer installed**



**■ Retainer for F connector (2 coaxials)**



Part No.	HRS No.	Material	Color	Packaging	RoHS
GT21A-2S-R	771-0046-6 00	PBT	Dark Gray	1	YES

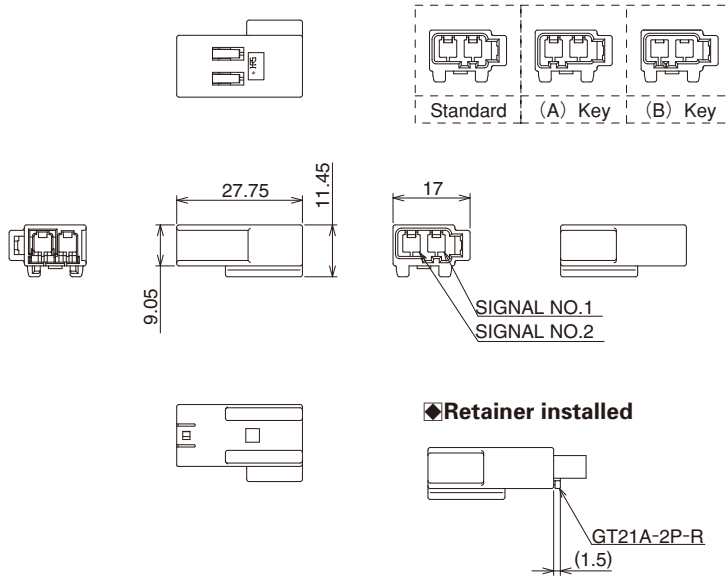
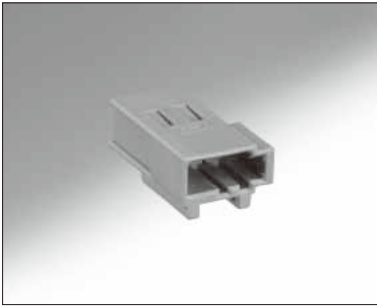
Oct. 1. 2019 Copyright 2019 HIROSE ELECTRIC CO., LTD. All Rights Reserved.

- GT5
- GT13
- GT16
- PO5G
- GT19
- GT21**
- GT26
- GT36
- GT11
- GT17
- GT32
- GT3
- GT7
- GT10
- GT18W
- GT25
- GT8E
- GT9
- GT15

For Antenna

- GT5
- GT13
- GT16
- PO5G
- GT19
- GT21**
- GT26
- GT36
- GT11
- GT17
- GT32
- GT3
- GT7
- GT10
- GT18W
- GT25
- GT8E
- GT9
- GT15

## ■ Housing for M connector (2 coaxials, clip slot N type)



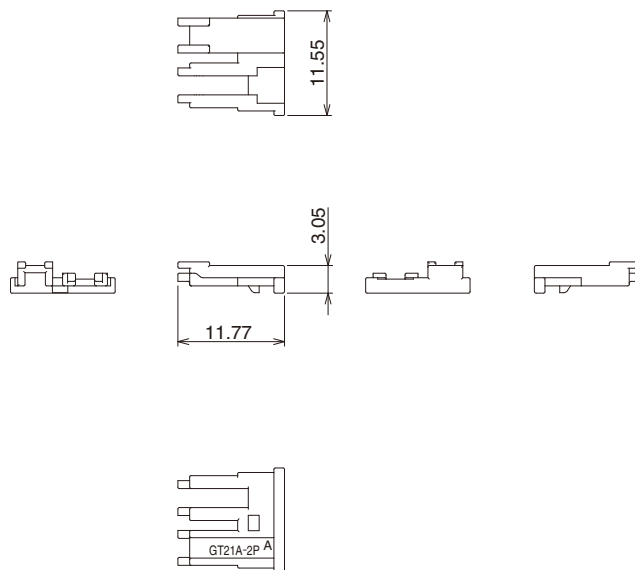
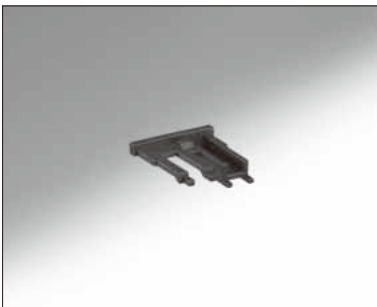
Signal No.	Maximum cable diameter
1	φ5.2
2	φ3.1

Part No.	HRS No.	Material	Color	Key position	Packaging	RoHS
GT21AN-2PP-HU	771-0045-3 00	PBT	Light Gray	Standard	1	YES
GT21AN-2PP-HU(A)	771-0049-4 00		Brown	(A)		
GT21AN-2PP-HU(B)	771-0069-1 00		Green	(B)		

Note1 : Applicable terminal : GT21 series coaxial cable terminal for M connector.

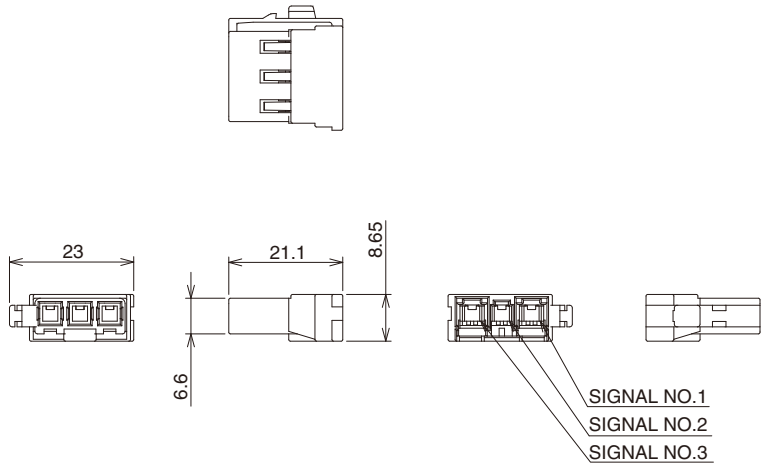
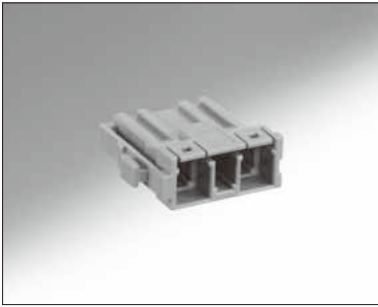
Note2 : Use this product with the optional retainer (GT21A-2P-R).

## ■ Retainer for M connector (2 coaxials)



Part No.	HRS No.	Material	Color	Packaging	RoHS
GT21A-2P-R	771-0047-9 00	PBT	Dark Gray	1	YES

## ■ Housing for F connector (3 coaxials)

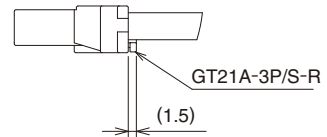


Signal No.	Maximum cable diameter
1	φ5.2
2	φ3.1
3	φ5.2

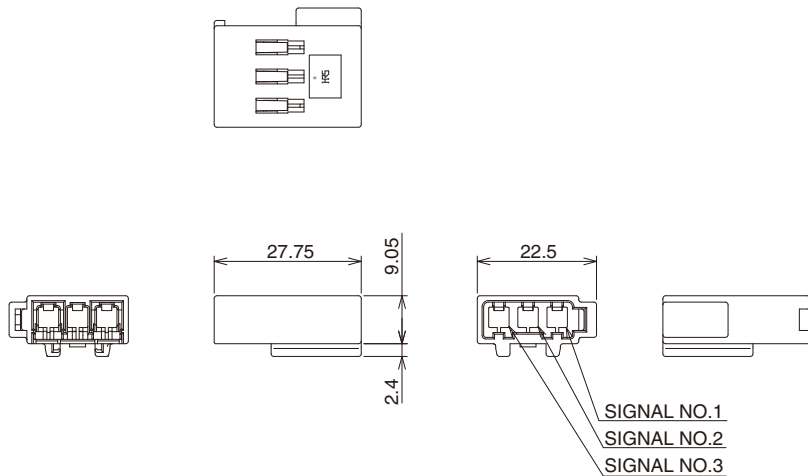
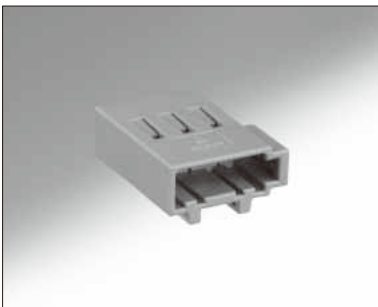
Part No.	HRS No.	Material	Color	Packaging	RoHS
GT21A-3S-HU	771-0036-2 00	PBT	Light Gray	1	YES

Note1 : Applicable terminal : GT21 series coaxial cable terminal for F connector  
 Note2 : Use this product with the optional retainer (GT21A-3P/S-R).

### ◆ Retainer installed



## ■ Housing for M connector (3 coaxials, clip slot N type)

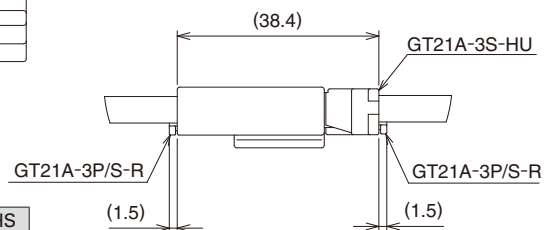


Signal No.	Maximum cable diameter
1	φ5.2
2	φ3.1
3	φ5.2

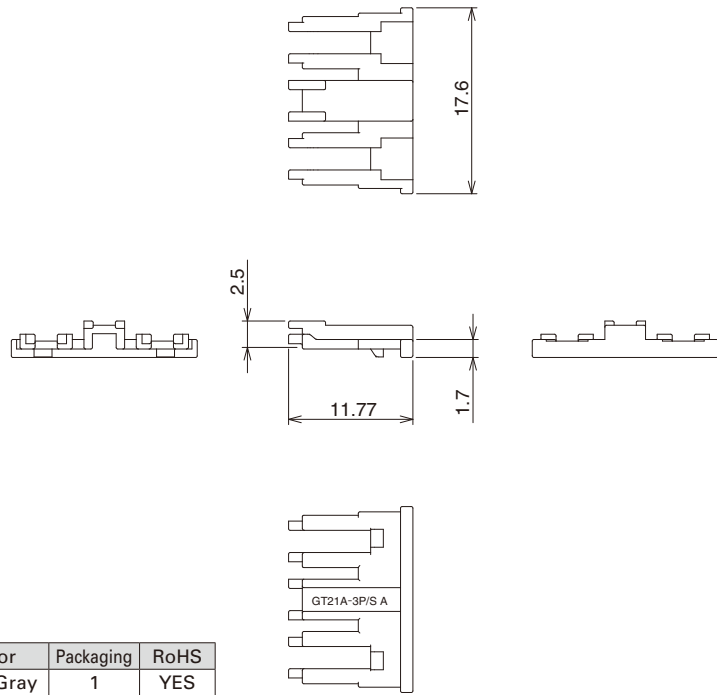
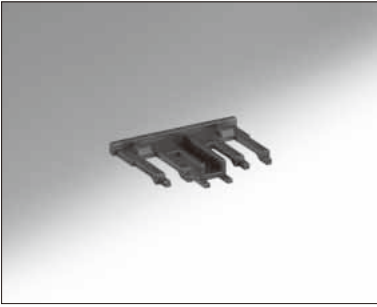
Part No.	HRS No.	Material	Color	Packaging	RoHS
GT21AN-3PP-HU	771-0037-5 00	PBT	Light Gray	1	YES

Note1 : Applicable terminal : GT21 series coaxial cable terminal for M connector  
 Note2 : Use this product with the optional retainer (GT21A-3P/S-R).

### ◆ Mated condition



## ■ Retainer for F and M connectors (3 coaxials)

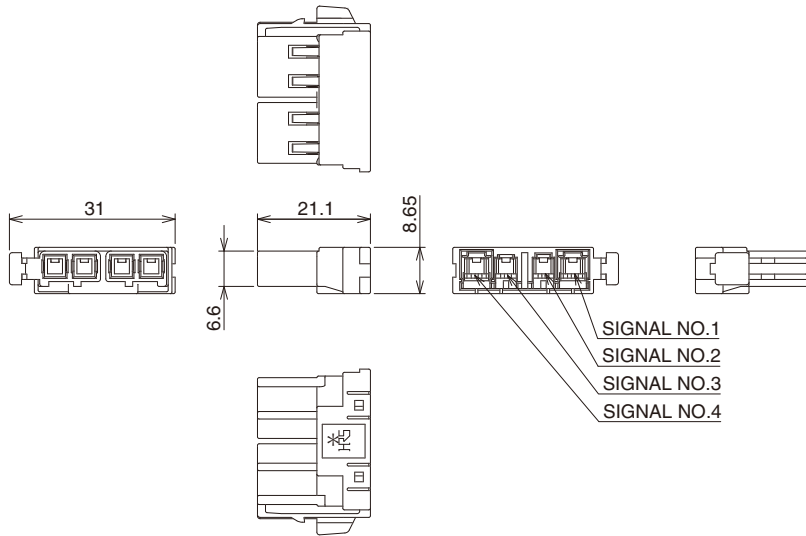
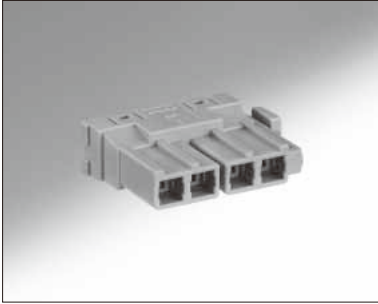


Part No.	HRS No.	Material	Color	Packaging	RoHS
GT21A-3P/S-R	771-0038-8 00	PBT	Dark Gray	1	YES

For Antenna

- GT5
- GT13
- GT16
- PO5G
- GT19
- GT21**
- GT26
- GT36
- GT11
- GT17
- GT32
- GT3
- GT7
- GT10
- GT18W
- GT25
- GT8E
- GT9
- GT15

## ■ Housing for F connector (4 coaxials)

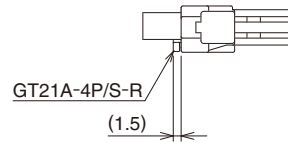


Signal No.	Maximum cable diameter
1	φ5.2
2	φ3.1
3	φ3.1
4	φ5.2

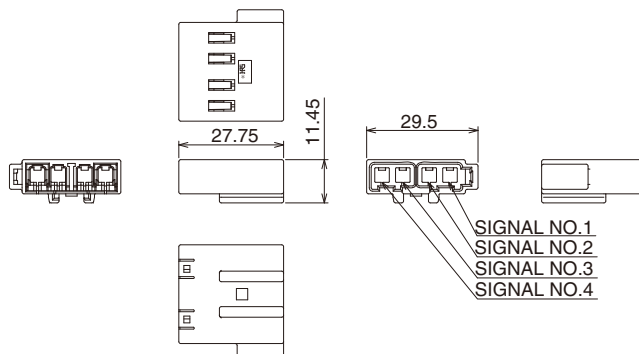
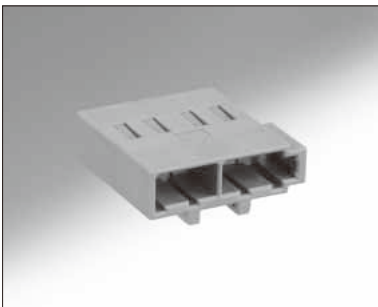
Part No.	HRS No.	Material	Color	Packaging	RoHS
GT21A-4S-HU	771-0063-5 00	PBT	Light Gray	1	YES

Note1 : Applicable terminal : GT21 series coaxial cable terminal for F connector.  
 Note2 : Use this product with the optional retainer (GT21A-4P/S-R).

### ◆ Retainer installed



## ■ Housing for M connector (4 coaxials, clip slot N type)

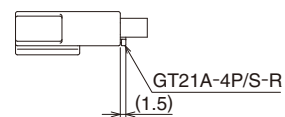


Signal No.	Maximum cable diameter
1	φ5.2
2	φ3.1
3	φ3.1
4	φ5.2

Part No.	HRS No.	Material	Color	Packaging	RoHS
GT21AN-4PP-HU	771-0064-8 00	PBT	Light Gray	1	YES

Note1 : Applicable terminal : GT21 series coaxial cable terminal for M connector  
 Note2 : Use this product with the optional retainer (GT21A-4P/S-R).

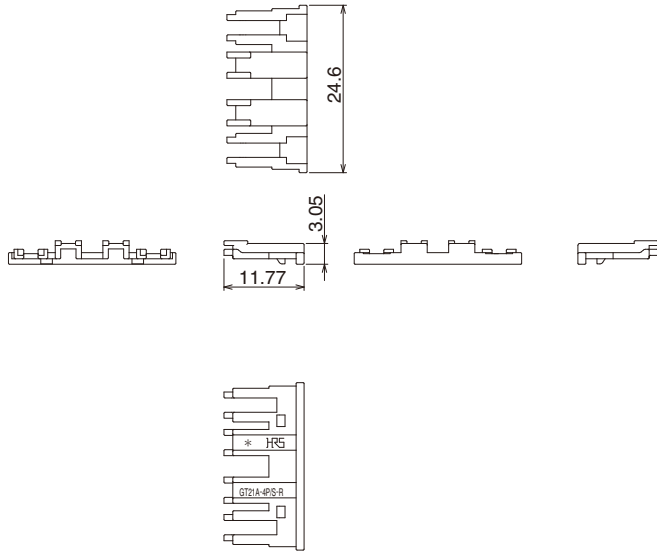
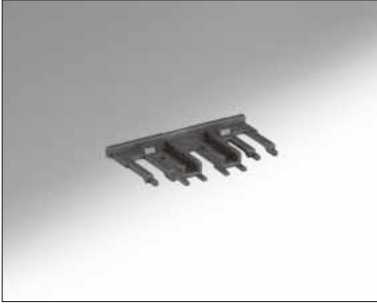
### ◆ Retainer installed



For Antenna

- GT5
- GT13
- GT16
- PO5G
- GT19
- GT21**
- GT26
- GT36
- GT11
- GT17
- GT32
- GT3
- GT7
- GT10
- GT18W
- GT25
- GT8E
- GT9
- GT15

## Retainer for F and M connectors (4 coaxials)

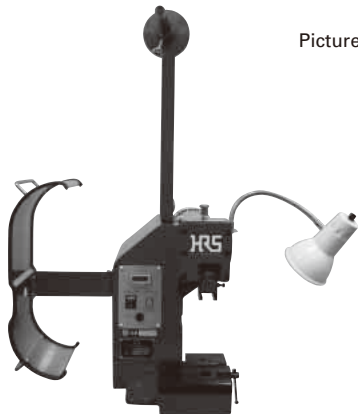


Part No.	HRS No.	Material	Color	Packaging	RoHS
GT21A-4P/S-R	771-0065-0 00	PBT	Dark Gray	1	YES

## ◆ Crimping tools

Operation manuals are available. Please contact sales personnel.

### Automatic crimping machine



Picture reference only

### Specifications

Item	Specification	Remarks
Press capacity	1.5tons	
Stroke length	30mm	
Number of strokes	200spm(50Hz)	200spm(60Hz)
Weight	75kg	
Motor	0.2kw	AC100V
Crimping speed	2000 to 4000 pcs/hour	

\* In terms of terminal's crimp height, a separate crimp height table is available for each cable type. Please contact sales personnel.

In the event of a new cable, the appropriate crimp height will need to be defined.

\* Separate reel stand required (CM105C/RS-ED)

\* Separate applicator tooling required for each terminal.

Part No. CM-105C

### Applicator (for use with the automatic crimping machine)

Terminal Product No.	Terminal HRS No.	Tool No.	Tool HRS No.
GT21-30/1.6-2.9SCF	771-0012-4 00	AP-GT21-30/1629S	901-5203-5
		AP-GT21-30/1629S-2	901-5217-0
GT21-30/1.6-2.9SCF (ID)	771-0057-2 00	AP-GT21-30/1629SI	901-5201-0
		AP-GT21-2428/1629S	901-5191-8
GT21-2428/1.6-2.9SCF	771-0004-6 00	AP-GT21-2428/1629S-2	901-5215-4
		AP-GT21-30/0715P	901-5207-6
GT21-30/0.7-1.5PCF	771-0056-0 00	AP-GT21-30/1629P	901-5208-9
GT21-30/1.6-2.9PCF	771-0051-6 00	AP-GT21-30/1629P-2	901-5218-2
		AP-GT21-30/1629PI	901-5219-5
GT21-30/1.6-2.9PCF (ID)	771-0066-3 00	AP-GT21-2428/1629P	901-5209-1
		AP-GT21-2428/1629P-2	901-5216-7