

SOJ, TSOP, FP-BGA, TQFP  
 Commercial Temp  
 Industrial Temp

# 128K x 16

## 2Mb Asynchronous SRAM

7, 8, 10, 12 ns  
 3.3 V  $V_{DD}$   
 Center  $V_{DD}$  and  $V_{SS}$

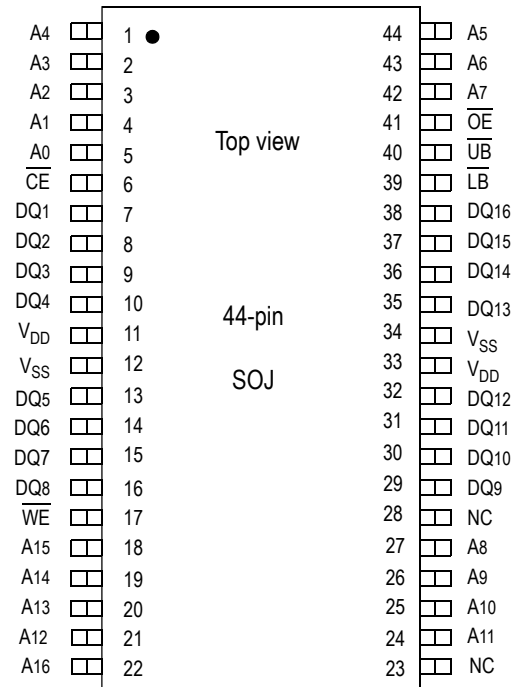
### Features

- Fast access time: 7, 8, 10, 12 ns
- CMOS low power operation: 145/125/100/85 mA at minimum cycle time
- Single 3.3 V power supply
- All inputs and outputs are TTL-compatible
- Byte control
- Fully static operation
- Industrial Temperature Option:  $-40^{\circ}$  to  $85^{\circ}\text{C}$
- Package line up
  - J: 400 mil, 44-pin SOJ package
  - TP: 400 mil, 44-pin TSOP Type II package
  - T: 10 mm x 10 mm, 44-pin TQFP
  - U: 6 mm x 8 mm Fine Pitch Ball Grid Array package

### Description

The GS72116A is a high speed CMOS Static RAM organized as 131,072 words by 16 bits. Static design eliminates the need for external clocks or timing strobes. The GS operates on a single 3.3 V power supply and all inputs and outputs are TTL-compatible. The GS72116A is available in a 6 mm x 8 mm Fine Pitch BGA package, a 10 mm x 10 mm TQFP package, as well as in 400 mil SOJ and 400 mil TSOP Type-II packages.

### SOJ 128K x 16-Pin Configuration

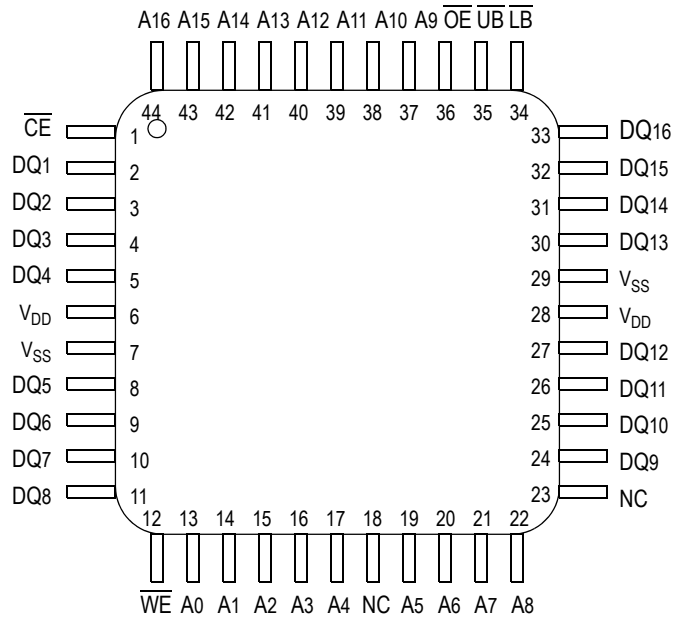


Package J

### Pin Descriptions

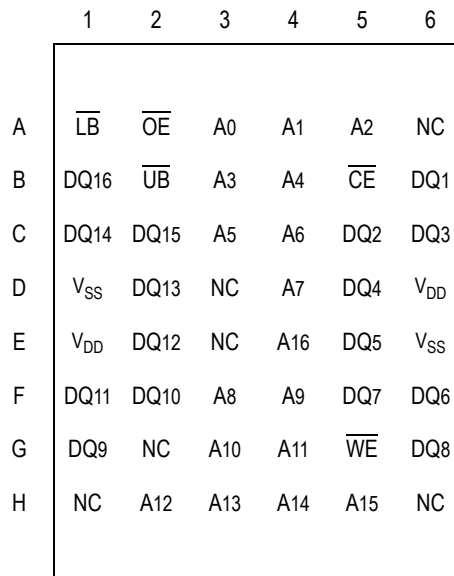
Symbol	Description
A <sub>0</sub> –A <sub>16</sub>	Address input
DQ <sub>1</sub> –DQ <sub>16</sub>	Data input/output
$\overline{\text{CE}}$	Chip enable input
$\overline{\text{LB}}$	Lower byte enable input (DQ <sub>1</sub> to DQ <sub>8</sub> )
$\overline{\text{UB}}$	Upper byte enable input (DQ <sub>9</sub> to DQ <sub>16</sub> )
$\overline{\text{WE}}$	Write enable input
$\overline{\text{OE}}$	Output enable input
$V_{DD}$	+3.3 V power supply
$V_{SS}$	Ground
NC	No connect

### 44-Pin TQFP 128K x 16-Pin Configuration



Package T

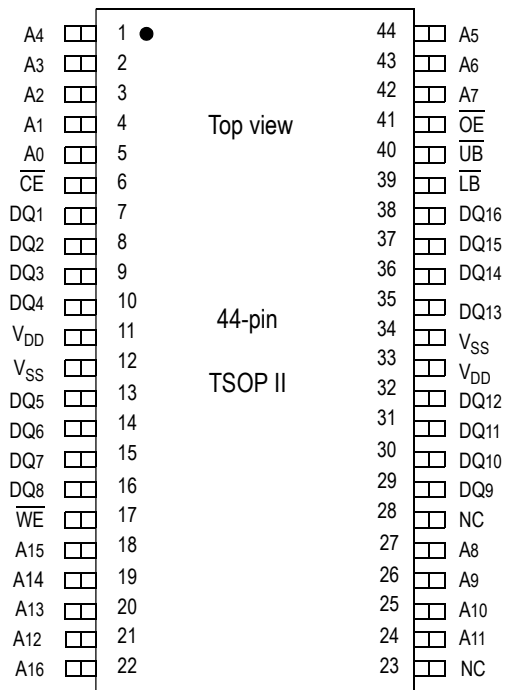
### Fine Pitch BGA 128K x 16-Bump Configuration



6 mm x 8 mm, 0.75 mm Bump Pitch

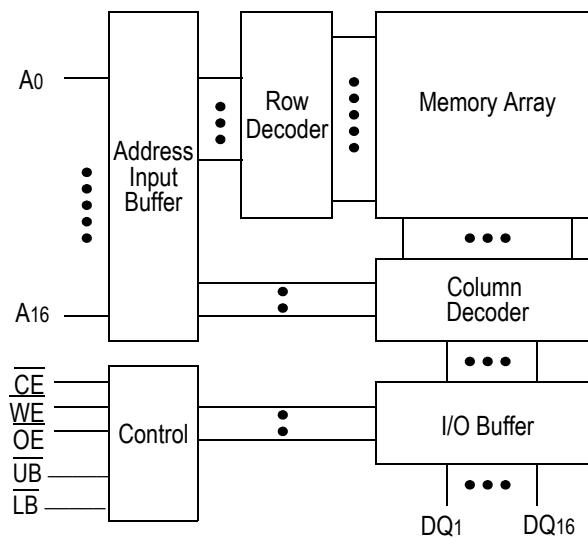
Top View  
Package U

### TSOP-II 128K x 16-Pin Configuration



Package TP

### Block Diagram



**Truth Table**

$\overline{\text{CE}}$	$\overline{\text{OE}}$	$\overline{\text{WE}}$	$\overline{\text{LB}}$	$\overline{\text{UB}}$	DQ1 to DQ8	DQ9 to DQ16	VDD Current
H	X	X	X	X	Not Selected	Not Selected	ISB1, ISB2
L	L	H	L	L	Read	Read	I <sub>DD</sub>
			L	H	Read	High Z	
			H	L	High Z	Read	
L	X	L	L	L	Write	Write	
			L	H	Write	Not Write, High Z	
			H	L	Not Write, High Z	Write	
L	H	H	X	X	High Z	High Z	
L	X	X	H	H	High Z	High Z	

Note: X: "H" or "L"

**Absolute Maximum Ratings**

Parameter	Symbol	Rating	Unit
Supply Voltage	V <sub>DD</sub>	-0.5 to +4.6	V
Input Voltage	V <sub>IN</sub>	-0.5 to V <sub>DD</sub> +0.5 (≤ 4.6 V max.)	V
Output Voltage	V <sub>OUT</sub>	-0.5 to V <sub>DD</sub> +0.5 (≤ 4.6 V max.)	V
Allowable power dissipation	PD	0.7	W
Storage temperature	T <sub>STG</sub>	-55 to 150	°C

Note:

Permanent device damage may occur if Absolute Maximum Ratings are exceeded. Functional operation shall be restricted to Recommended Operating Conditions. Exposure to higher than recommended voltages for extended periods of time could affect device reliability.

## Recommended Operating Conditions

Parameter	Symbol	Min	Typ	Max	Unit
Supply Voltage for -7/-8/-10/12	$V_{DD}$	3.0	3.3	3.6	V
Input High Voltage	$V_{IH}$	2.0	—	$V_{DD} + 0.3$	V
Input Low Voltage	$V_{IL}$	-0.3	—	0.8	V
Ambient Temperature, Commercial Range	$T_{Ac}$	0	—	70	°C
Ambient Temperature, Industrial Range	$T_{AI}$	-40	—	85	°C

Note:

1. Input overshoot voltage should be less than  $V_{DD} + 2$  V and not exceed 20 ns.
2. Input undershoot voltage should be greater than  $-2$  V and not exceed 20 ns.

## Capacitance

Parameter	Symbol	Test Condition	Max	Unit
Input Capacitance	$C_{IN}$	$V_{IN} = 0$ V	5	pF
Output Capacitance	$C_{OUT}$	$V_{OUT} = 0$ V	7	pF

Notes:

1. Tested at  $T_A = 25^\circ\text{C}$ ,  $f = 1$  MHz
2. These parameters are sampled and are not 100% tested.

## DC I/O Pin Characteristics

Parameter	Symbol	Test Conditions	Min	Max
Input Leakage Current	$I_{IL}$	$V_{IN} = 0$ to $V_{DD}$	-1 $\mu\text{A}$	1 $\mu\text{A}$
Output Leakage Current	$I_{LO}$	Output High Z $V_{OUT} = 0$ to $V_{DD}$	-1 $\mu\text{A}$	1 $\mu\text{A}$
Output High Voltage	$V_{OH}$	$I_{OH} = -4\text{mA}$	2.4	—
Output Low Voltage	$V_{OL}$	$I_{LO} = +4\text{mA}$	—	0.4 V

**Power Supply Currents**

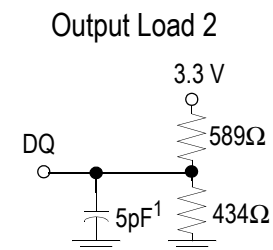
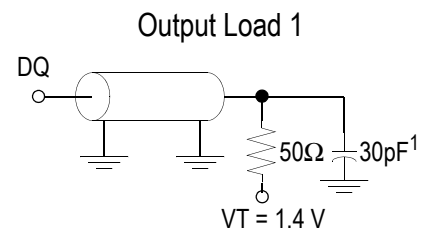
Parameter	Symbol	Test Conditions	0 to 70°C				-40 to 85°C			
			7 ns	8 ns	10 ns	12 ns	7 ns	8 ns	10 ns	12 ns
Operating Supply Current	IDD (max)	$\overline{CE} \leq V_{IL}$ All other inputs $\geq V_{IH}$ or $\leq V_{IL}$ Min. cycle time IOUT = 0 mA	145 mA	125 mA	100 mA	85 mA	150 mA	130 mA	105 mA	90 mA
Standby Current	ISB1 (max)	$\overline{CE} \geq V_{IH}$ All other inputs $\geq V_{IH}$ or $\leq V_{IL}$ Min. cycle time	25 mA	20 mA	20 mA	15 mA	30 mA	25 mA	25 mA	20 mA
Standby Current	ISB2 (max)	$\overline{CE} \geq V_{DD} - 0.2 V$ All other inputs $\geq V_{DD} - 0.2 V$ or $\leq 0.2 V$	5 mA				10 mA			

**AC Test Conditions**

Parameter	Conditions
Input high level	$V_{IH} = 2.4 V$
Input low level	$V_{IL} = 0.4 V$
Input rise time	$t_r = 1 V/ns$
Input fall time	$t_f = 1 V/ns$
Input reference level	1.4 V
Output reference level	1.4 V
Output load	<b>Fig. 1 &amp; 2</b>

Note:

1. Include scope and jig capacitance.
2. Test conditions as specified with output loading as shown in Fig. 1 unless otherwise noted.
3. Output load 2 for tLZ, tHZ, toLZ and toHZ



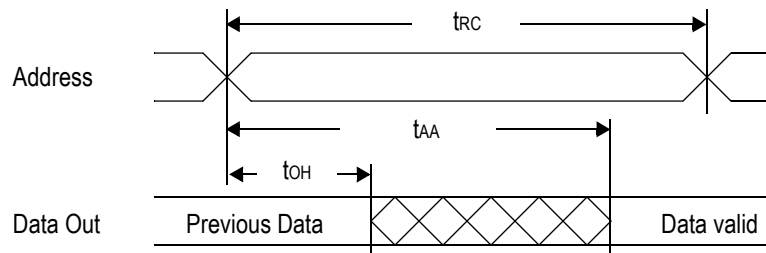
## AC Characteristics

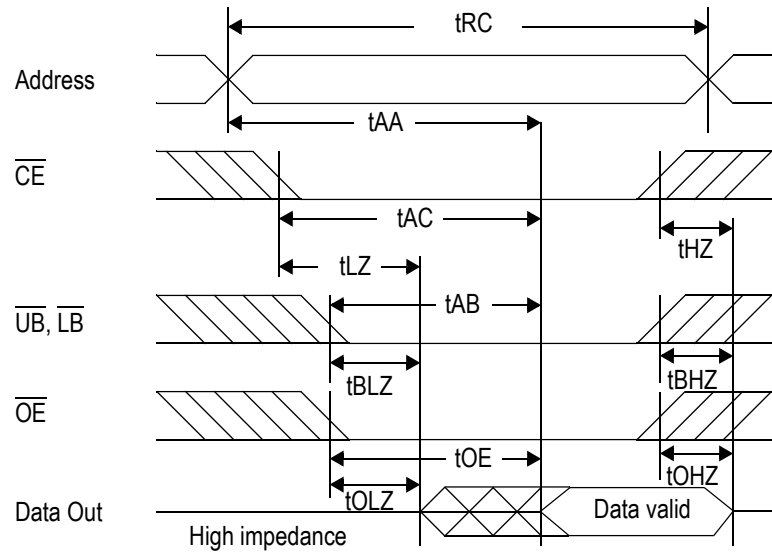
### Read Cycle

Parameter	Symbol	-7		-8		-10		-12		Unit
		Min	Max	Min	Max	Min	Max	Min	Max	
Read cycle time	t <sub>RC</sub>	7	—	8	—	10	—	12	—	ns
Address access time	t <sub>AA</sub>	—	7	—	8	—	10	—	12	ns
Chip enable access time ( $\overline{CE}$ )	t <sub>AC</sub>	—	7	—	8	—	10	—	12	ns
Byte enable access time ( $\overline{UB}$ , $\overline{LB}$ )	t <sub>AB</sub>	—	3	—	3.5	—	4	—	5	ns
Output enable to output valid ( $\overline{OE}$ )	t <sub>OE</sub>	—	3	—	3.5	—	4	—	5	ns
Output hold from address change	t <sub>OH</sub>	3	—	3	—	3	—	3	—	ns
Chip enable to output in low Z ( $\overline{CE}$ )	t <sub>LZ</sub> *	3	—	3	—	3	—	3	—	ns
Output enable to output in low Z ( $\overline{OE}$ )	t <sub>OLZ</sub> *	0	—	0	—	0	—	0	—	ns
Byte enable to output in low Z ( $\overline{UB}$ , $\overline{LB}$ )	t <sub>BLZ</sub> *	0	—	0	—	0	—	0	—	ns
Chip disable to output in High Z ( $\overline{CE}$ )	t <sub>HZ</sub> *	—	3.5	—	4	—	5	—	6	ns
Output disable to output in High Z ( $\overline{OE}$ )	t <sub>OHZ</sub> *	—	3	—	3.5	—	4	—	5	ns
Byte disable to output in High Z ( $\overline{UB}$ , $\overline{LB}$ )	t <sub>BHZ</sub> *	—	3	—	3.5	—	4	—	5	ns

\* These parameters are sampled and are not 100% tested.

Read Cycle 1:  $\overline{CE} = \overline{OE} = V_{IL}$ ,  $\overline{WE} = V_{IH}$ ,  $\overline{UB}$  and, or  $\overline{LB} = V_{IL}$



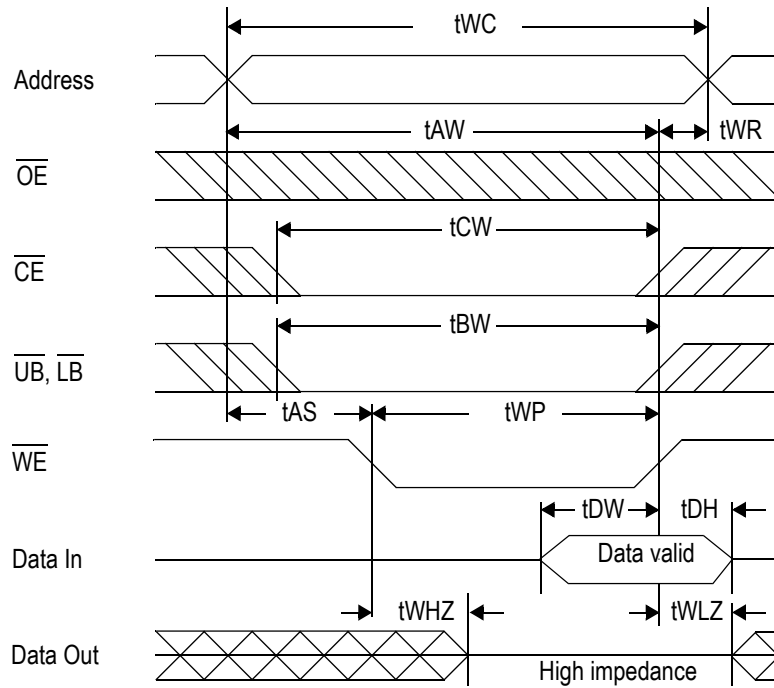
**Read Cycle 2:  $\overline{WE} = V_{IH}$** 

**Write Cycle**

Parameter	Symbol	-7		-8		-10		-12		Unit
		Min	Max	Min	Max	Min	Max	Min	Max	
Write cycle time	$t_{WC}$	7	—	8	—	10	—	12	—	ns
Address valid to end of write	$t_{AW}$	5	—	5.5	—	7	—	8	—	ns
Chip enable to end of write	$t_{CW}$	5	—	5.5	—	7	—	8	—	ns
Byte enable to end of write	$t_{BW}$	5	—	5.5	—	7	—	8	—	ns
Data set up time	$t_{DW}$	3.5	—	4	—	5	—	6	—	ns
Data hold time	$t_{DH}$	0	—	0	—	0	—	0	—	ns
Write pulse width	$t_{WP}$	5	—	5.5	—	7	—	8	—	ns
Address set up time	$t_{AS}$	0	—	0	—	0	—	0	—	ns
Write recovery time ( $\overline{WE}$ )	$t_{WR}$	0	—	0	—	0	—	0	—	ns
Write recovery time ( $\overline{CE}$ )	$t_{WR1}$	0	—	0	—	0	—	0	—	ns
Output Low Z from end of write	$t_{WLZ}^*$	3	—	3	—	3	—	3	—	ns
Write to output in High Z	$t_{WHZ}^*$	—	3	—	3.5	—	4	—	5	ns

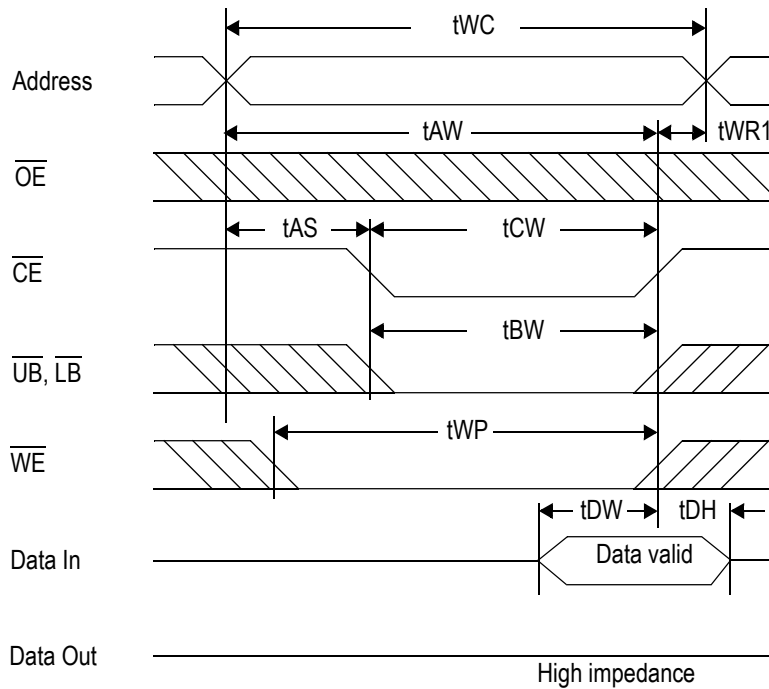
\* These parameters are sampled and are not 100% tested.



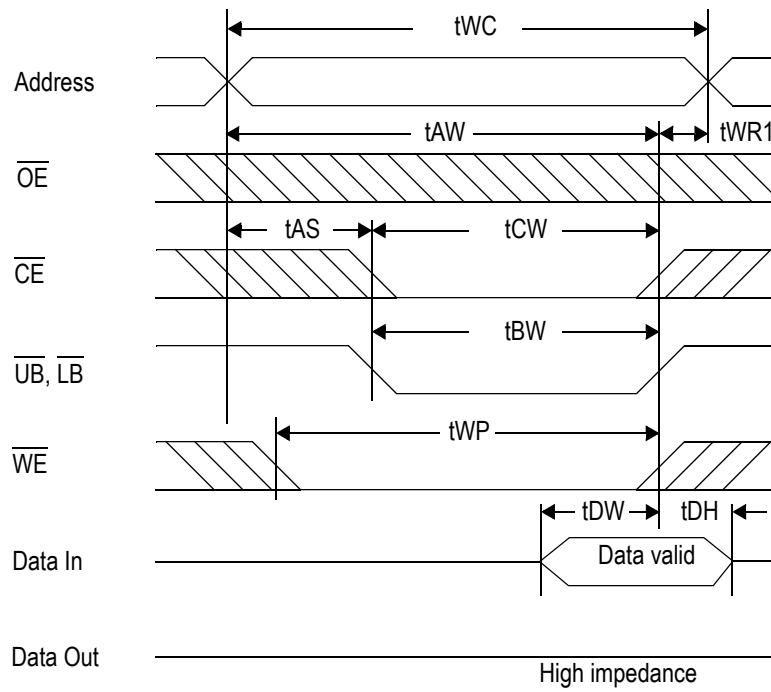
Write Cycle 1:  $\overline{\text{WE}}$  control



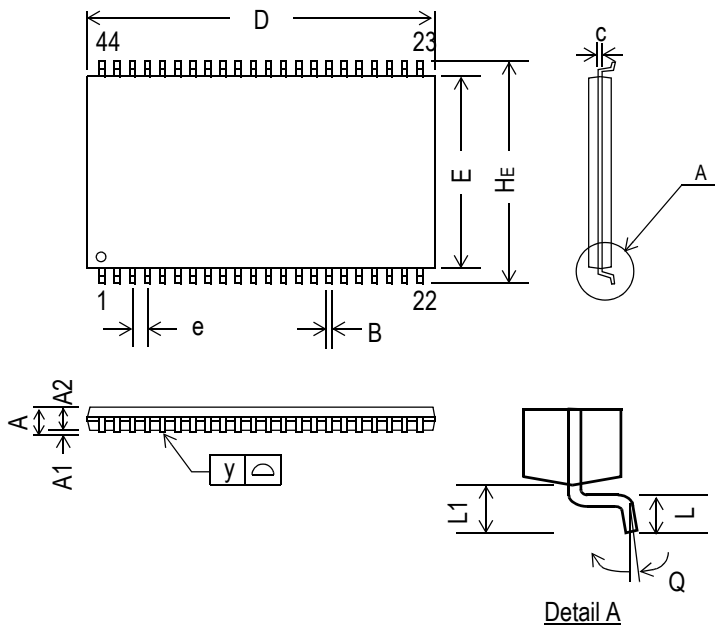
Write Cycle 2:  $\overline{\text{CE}}$  control



Write Cycle 3:  $\overline{UB}$ ,  $\overline{LB}$  control





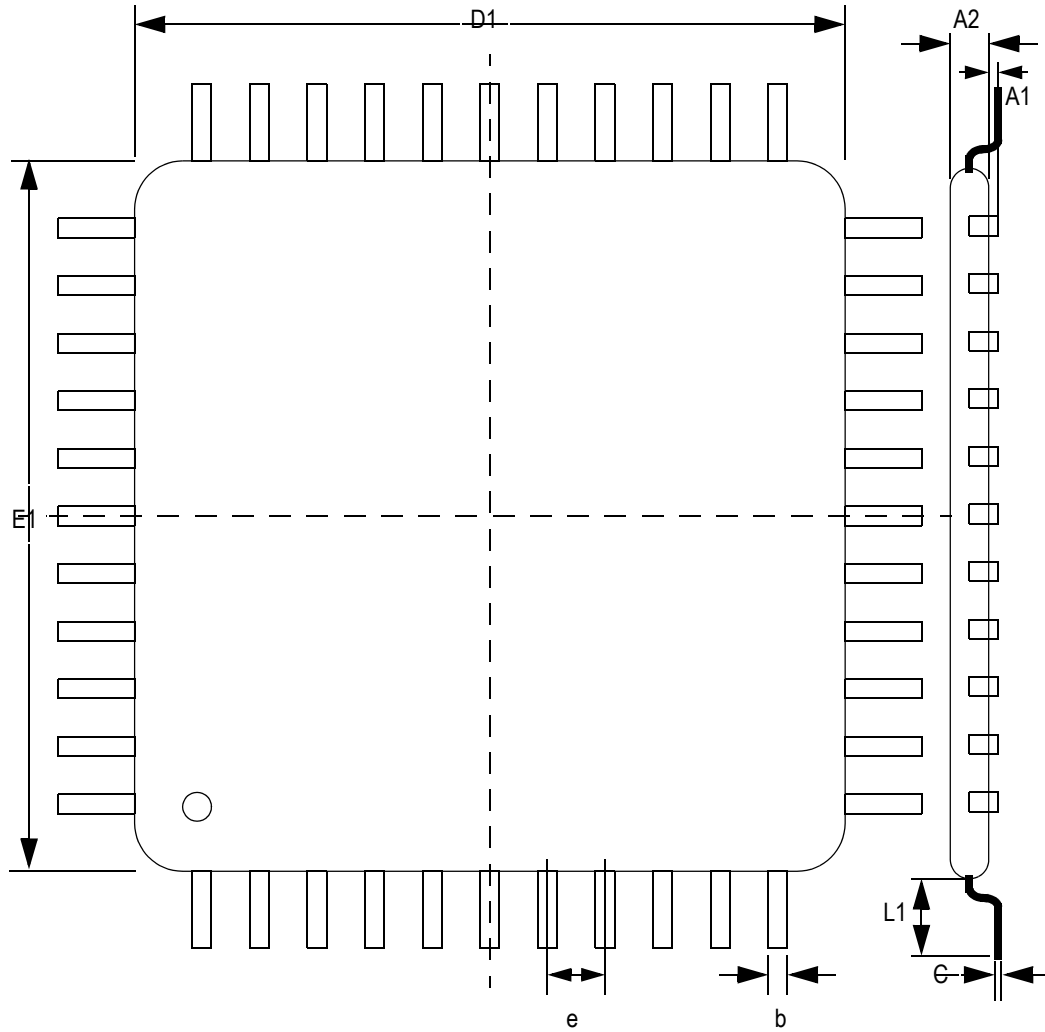
**44-Pin, 400 mil TSOP-II**


Symbol	Dimension in inch			Dimension in mm		
	min	nom	max	min	nom	max
A	—	—	0.047	—	—	1.20
A1	0.002	—	—	0.05	—	—
A2	0.037	0.039	0.041	0.95	1.00	1.05
B	0.01	0.014	0.018	0.25	0.35	0.45
c	—	0.006	—	—	0.15	—
D	0.721	0.725	0.729	18.31	18.41	18.51
E	0.396	0.400	0.404	10.06	10.16	10.26
e	—	0.031	—	—	0.80	—
HE	0.455	0.463	0.471	11.56	11.76	11.96
L	0.016	0.020	0.024	0.40	0.50	0.60
L1	—	0.031	—	—	0.80	—
y	—	—	0.004	—	—	0.10
Q	0°	—	5°	0°	—	5°

**Note:**

1. Dimension D & E do not include interlead flash.
2. Dimension B does not include dambar protrusion/intrusion.
3. Controlling dimension: mm

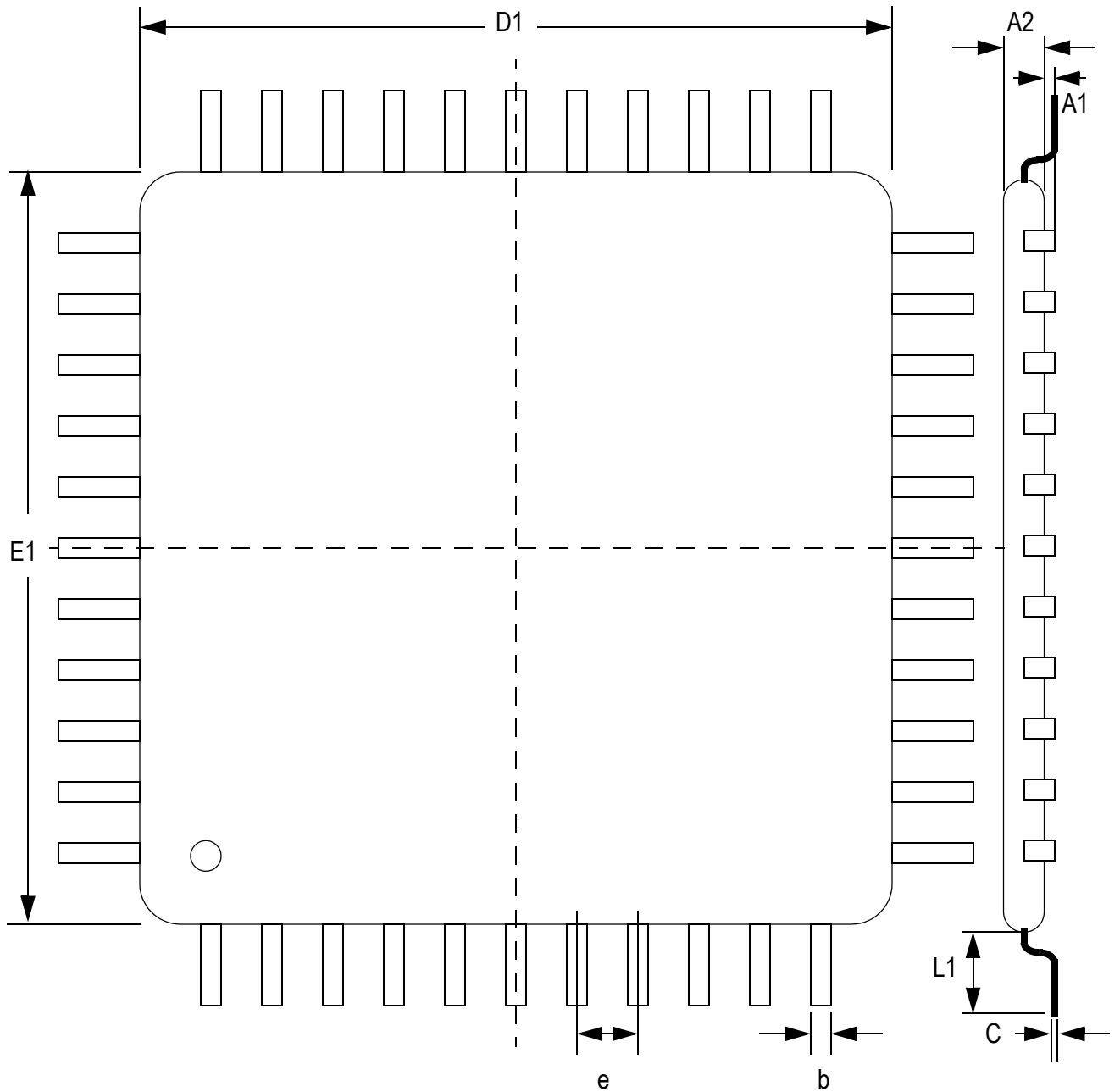
44-Pin TQFP (LQFP) Package



Body Size		Lead Count	Standoff	Body Thickness	Lead Length	Lead Width	Lead Thickness	Lead Pitch
E1	D1		A1	A2	L1	b	c	e
10	10	44	0.1	1.4	1.0	0.3	0.127	0.8

Units: mm

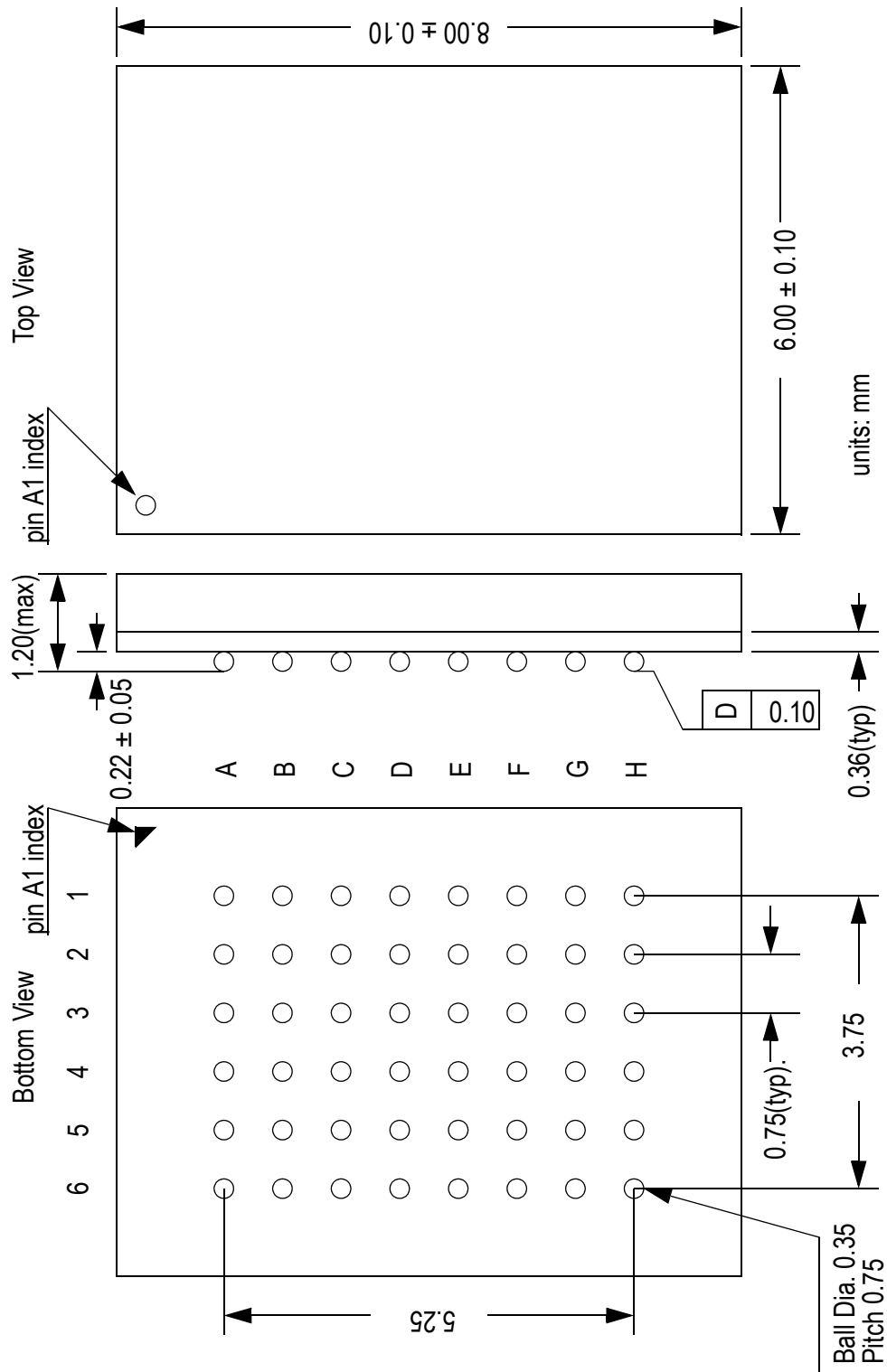
44 Pin TQFP (LQFP) Package



Body Size		Lead Count	Standoff	Body Thickness	Lead Length	Lead Width	Lead Thickness	Lead Pitch
E1	D1		A1	A2	L1	b	c	e
10	10	44	0.1	1.4	1.0	0.3	0.127	0.8

Units: mm

6 mm x 10 mm Fine Pitch BGA



**Ordering Information**

<b>Part Number *</b>	<b>Package</b>	<b>Access Time</b>	<b>Temp. Range</b>	<b>Status</b>
GS72116ATP-7	400 mil TSOP-II	7 ns	Commercial	
GS72116ATP-8	400 mil TSOP-II	8 ns	Commercial	
GS72116ATP-10	400 mil TSOP-II	10 ns	Commercial	
GS72116ATP-12	400 mil TSOP-II	12 ns	Commercial	
GS72116ATP-7I	400 mil TSOP-II	7 ns	Industrial	
GS72116ATP-8I	400 mil TSOP-II	8 ns	Industrial	
GS72116ATP-10I	400 mil TSOP-II	10 ns	Industrial	
GS72116ATP-12I	400 mil TSOP-II	12 ns	Industrial	
GS72116AJ-7	400 mil SOJ	7 ns	Commercial	
GS72116AJ-8	400 mil SOJ	8 ns	Commercial	
GS72116AJ-10	400 mil SOJ	10 ns	Commercial	
GS72116AJ-12	400 mil SOJ	12 ns	Commercial	
GS72116AJ-7I	400 mil SOJ	7 ns	Industrial	
GS72116AJ-8I	400 mil SOJ	8 ns	Industrial	
GS72116AJ-10I	400 mil SOJ	10 ns	Industrial	
GS72116AJ-12I	400 mil SOJ	12 ns	Industrial	
GS72116AT-7	44-pin TQFP	7 ns	Commercial	
GS72116AT-8	44-pin TQFP	8 ns	Commercial	
GS72116AT-10	44-pin TQFP	10 ns	Commercial	
GS72116AT-12	44-pin TQFP	12 ns	Commercial	
GS72116AT-7I	44-pin TQFP	7 ns	Industrial	
GS72116AT-8I	44-pin TQFP	8 ns	Industrial	
GS72116AT-10I	44-pin TQFP	10 ns	Industrial	
GS72116AT-12I	44-pin TQFP	12 ns	Industrial	



**Ordering Information**

<b>Part Number *</b>	<b>Package</b>	<b>Access Time</b>	<b>Temp. Range</b>	<b>Status</b>
GS72116AU-7	6 mm x 8 mm Fine Pitch BGA	7 ns	Commercial	
GS72116AU-8	6 mm x 8 mm Fine Pitch BGA	8 ns	Commercial	
GS72116AU-10	6 mm x 8 mm Fine Pitch BGA	10 ns	Commercial	
GS72116AU-12	6 mm x 8 mm Fine Pitch BGA	12 ns	Commercial	
GS72116AU-7I	6 mm x 8 mm Fine Pitch BGA	7 ns	Industrial	
GS72116AU-8I	6 mm x 8 mm Fine Pitch BGA	8 ns	Industrial	
GS72116AU-10I	6 mm x 8 mm Fine Pitch BGA	10 ns	Industrial	
GS72116AU-12I	6 mm x 8 mm Fine Pitch BGA	12 ns	Industrial	

\* Customers requiring delivery in Tape and Reel should add the character "T" to the end of the part number. For example:  
GS72116ATP-8T

**2Mb Asynchronous Datasheet Revision History**

Rev. Code: Old; New	Types of Changes Format or Content	Page #/Revisions/Reason
72116A_r1		• Creation of new datasheet
72116A_r1; 72116A_r1_01	Content	• Added 6 ns speed bin to entire document
72116A_r1_01; 72116A_r1_02	Content	• Updated all power numbers • Changed 6 mm x 10 mm FP_BGA package designator from U to X
72116A_r1_02; 72116A_r1_03	Content	• Updated Recommended Operating Conditions table on page 5 • Removed 15 ns bin • Changed FPBGA package from 6 x 10 to 6 x 8 (package U)
72116A_r1_03; 72116A_r1_04	Content	• Removed 6 ns speed bin from entire document • Added 7 ns speed bin to entire document