



■ Features :

- Universal AC input / Full range
- 3 pole AC inlet IEC320-C14
- Built-in active PFC function, PF>0.97
- Protections: Short circuit / Overload / Over voltage / Over temperature
- Fully enclosed plastic case
- Approvals: UL / CUL / TUV / BSMI / CCC / CB / FCC / CE
- Class 1 power ( with earth pin)
- LED indicator for power on
- No load power consumption<0.5W
- ErP step2 compliant
- Meet EISA 2007(Energy Independence and Security Act)
- 2 years warranty

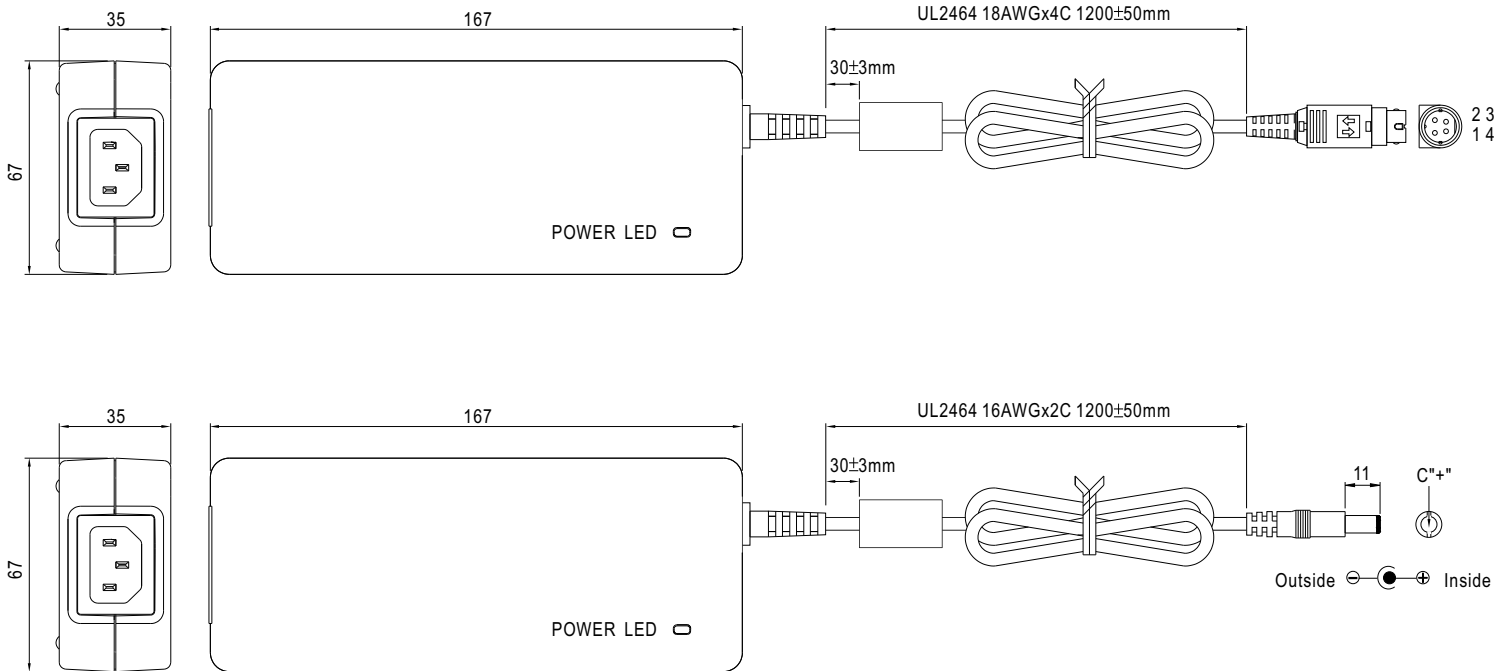


SPECIFICATION

| ORDER NO.              | GS120A12-R7B                                  | GS120A15-R7B  | GS120A20-□<br>□=R7B,P1M | GS120A24-□<br>□=R7B,P1M | GS120A48-□<br>□=R7B,P1M |          |       |
|------------------------|---|---|-------------------------|-------------------------|-------------------------|----------|-------|
| OUTPUT                 | SAFETY MODEL NO.                              | GS120A12  | GS120A15                | GS120A20                | GS120A24                | GS120A48 |       |
|                        | DC VOLTAGE                                    | 12V   | 15V                     | 20V                     | 24V                     | 48V      |       |
|                        | RATED CURRENT                                 | 8.5A  | 7A                      | 6A                      | 5A                      | 2.5A     |       |
|                        | CURRENT RANGE                                 | 0 ~ 8.5A  | 0 ~ 7A                  | 0 ~ 6A                  | 0 ~ 5A                  | 0 ~ 2.5A |       |
|                        | RATED POWER (max.)                            | 102W  | 105W                    | 120W                    | 120W                    | 120W     |       |
|                        | RIPPLE & NOISE (max.) Note.2                  | 80mVp-p   | 120mVp-p                | 150mVp-p                | 180mVp-p                | 240mVp-p |       |
|                        | VOLTAGE TOLERANCE Note.3                      | ±5.0%   | ±5.0%                   | ±5.0%                   | ±3.0%                   | ±2.0%    |       |
|                        | LINE REGULATION Note.4                        | ±1.0%   | ±1.0%                   | ±1.0%                   | ±1.0%                   | ±1.0%    |       |
|                        | LOAD REGULATION                               | ±5.0%   | ±5.0%                   | ±4.0%                   | ±3.0%                   | ±2.0%    |       |
|                        | SETUP, RISE TIME Note.6                       | 2000ms, 30ms / 230VAC      2500ms, 30ms / 115VAC at full load   |                         |                         |                         |          |       |
| HOLD UP TIME (Typ.)    | 20ms / 230VAC      20ms / 115VAC at full load |   |                         |                         |                         |          |       |
| INPUT                  | VOLTAGE RANGE Note.7                          | 85 ~ 264VAC    120 ~ 370VDC   |                         |                         |                         |          |       |
|                        | FREQUENCY RANGE                               | 47 ~ 63Hz   |                         |                         |                         |          |       |
|                        | POWER FACTOR (Typ.)                           | PF>0.97 / 230VAC    PF>0.99 / 115VAC at full load   |                         |                         |                         |          |       |
|                        | EFFICIENCY (Typ.)                             | R7B   | 87.5%                   | 89%                     | 89%                     | 90%      | 91%   |
|                        |   | P1M   | -----                   | -----                   | 88.5%                   | 89.5%    | 90.5% |
|                        | AC CURRENT                                    | 1.4A / 115VAC    0.7A / 230VAC  |                         |                         |                         |          |       |
|                        | INRUSH CURRENT (max.)                         | 70A / 230VAC  |                         |                         |                         |          |       |
| LEAKAGE CURRENT(max.)  | 0.75mA / 240VAC                               |   |                         |                         |                         |          |       |
| PROTECTION             | OVERLOAD                                      | 105 ~ 160% rated output power<br>Protection type : Hiccup mode, recovers automatically after fault condition is removed   |                         |                         |                         |          |       |
|                        | OVER VOLTAGE                                  | 105 ~ 135% rated output voltage<br>Protection type : Shut down o/p voltage, re-power on to recover  |                         |                         |                         |          |       |
|                        | OVER TEMPERATURE                              | RTH2 ≥ 100 ±10℃<br>Protection type : Shut down o/p voltage, re-power on to recover  |                         |                         |                         |          |       |
| ENVIRONMENT            | WORKING TEMP.                                 | -30 ~ +70℃ (Refer to output load derating curve)  |                         |                         |                         |          |       |
|                        | WORKING HUMIDITY                              | 20% ~ 90% RH non-condensing   |                         |                         |                         |          |       |
|                        | STORAGE TEMP., HUMIDITY                       | -40 ~ +85℃, 10 ~ 95% RH   |                         |                         |                         |          |       |
|                        | TEMP. COEFFICIENT                             | ±0.03% / °C (0~50℃)   |                         |                         |                         |          |       |
|                        | VIBRATION                                     | 10 ~ 500Hz, 2G 10min./1cycle, period for 60min. each along X, Y, Z axes   |                         |                         |                         |          |       |
| SAFETY & EMC (Note. 5) | SAFETY STANDARDS                              | UL60950-1, TUV EN60950-1, BSMI CNS14336, CCC GB4943 approved  |                         |                         |                         |          |       |
|                        | WITHSTAND VOLTAGE                             | I/P-O/P: 3KVAC  |                         |                         |                         |          |       |
|                        | ISOLATION RESISTANCE                          | I/P-O/P:100M Ohms / 500VDC / 25℃ / 70% RH   |                         |                         |                         |          |       |
|                        | EMI CONDUCTION & RADIATION                    | Compliance to EN55022(CISPR22), EN61204-3 class B, CNS13438 class B, GB9254-1 class B, FCC PART 15  |                         |                         |                         |          |       |
|                        | HARMONIC CURRENT                              | Compliance to EN61000-3-2,3, GB17625.1  |                         |                         |                         |          |       |
| OTHERS                 | EMS IMMUNITY                                  | Compliance to EN61000-4-2,3,4,5,6,8,11, light industry level, criteria A  |                         |                         |                         |          |       |
|                        | MTBF  | 400.7Khrs min. MIL-HDBK-217F(25℃)   |                         |                         |                         |          |       |
|                        | DIMENSION                                     | 167*67*35mm (L*W*H)   |                         |                         |                         |          |       |
| CONNECTOR              | PACKING                                       | 0.62Kg; 20pcs/13.4Kg/0.9CUFT  |                         |                         |                         |          |       |
|                        | PLUG  | See page 2 ; Other type available by customer requested   |                         |                         |                         |          |       |
| NOTE                   | CABLE   | See page 2 ; Other type available by customer requested   |                         |                         |                         |          |       |
|                        | NOTE  | 1. All parameters are specified at 230VAC input, rated load, 25℃ 70% RH ambient.<br>2. Ripple & noise are measured at 20MHz by using a 12" twisted pair terminated with a 0.1uf & 47uf capacitor.<br>3. Tolerance: includes set up tolerance, line regulation, load regulation.<br>4. Line regulation is measured from low line to high line at rated load.<br>5. The power supply is considered a component which will be installed into a final equipment. The final equipment must be re-confirmed that it still meets EMC directives.<br>6. Length of set up time is measured at first cold start. Turning ON/OFF the power supply may lead to increase of the set up time.<br>7. Derating may be needed under low input voltage. Please check the derating curve for more details. |                         |                         |                         |          |       |

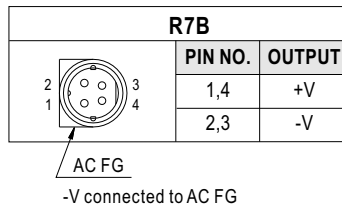
■ Mechanical Specification

Case No. GS120A Unit:mm

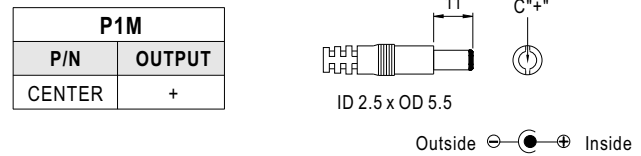


■ Plug Assignment

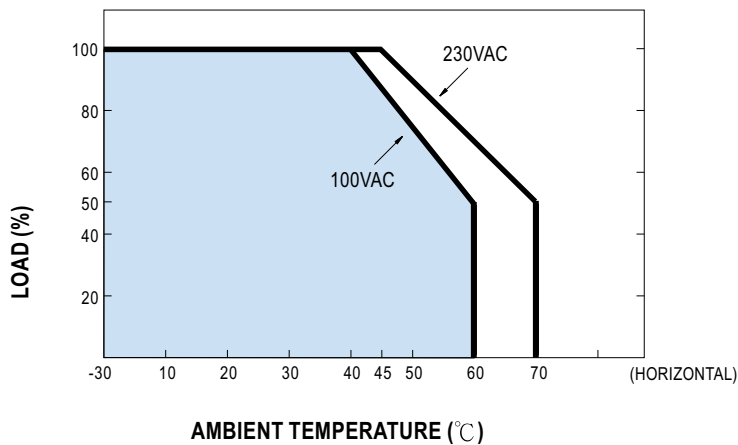
Standard plug (all models)



Standard plug (For 20V, 24V, 48V only)



■ Derating Curve



■ Static Characteristics

