

# GP1A58HR

## OPIC Photointerrupter

### ■ Features

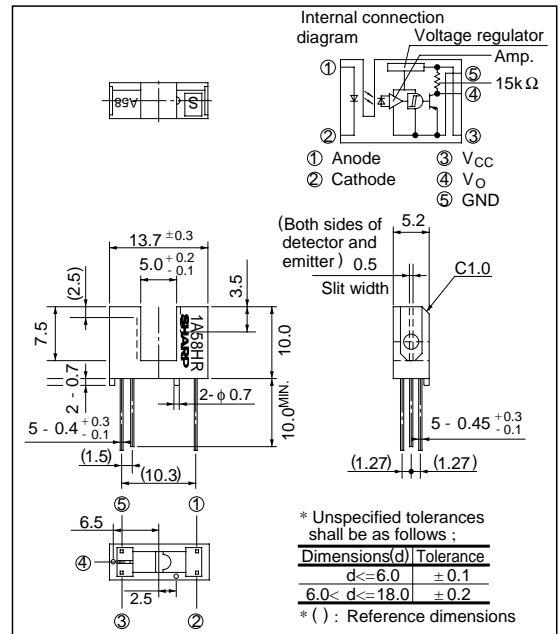
1. High sensing accuracy (Slit width: 0.5mm)
2. PWB mounting type

### ■ Applications

1. OA equipment such as printers, facsimiles, etc.
2. VCRs

### ■ Outline Dimensions

(Unit : mm)



“OPIC” (Optical IC) is a trademark of the SHARP Corporation.  
An OPIC consists of a light-detecting element and signal-processing circuit integrated onto a single chip.

### ■ Absolute Maximum Ratings

(T<sub>a</sub> = 25°C)

	Parameter	Symbol	Rating	Unit
Input	Forward current	I <sub>F</sub>	50	mA
	*1 Peak forward current	I <sub>FM</sub>	1	A
	Reverse voltage	V <sub>R</sub>	6	V
	Power dissipation	P	75	mW
Output	Supply voltage	V <sub>CC</sub>	- 0.5 to + 17	mA
	Output current	I <sub>O</sub>	50	mA
	Power dissipation	P <sub>O</sub>	250	mW
	Operating temperature	T <sub>opr</sub>	- 25 to + 85	°C
	Storage temperature	T <sub>stg</sub>	- 40 to + 100	°C
	*2 Soldering temperature	T <sub>sol</sub>	260	°C

\*1 Pulse width ≤ 100μs, Duty ratio = 0.01

\*2 For 5 seconds

## Electro-optical Characteristics

(Ta = 25°C)

Parameter		Symbol	Conditions	MIN.	TYP.	MAX.	Unit		
Input	Forward voltage	V <sub>F</sub>	I <sub>F</sub> = 8mA	-	1.14	1.4	V		
	Reverse current	I <sub>R</sub>	V <sub>R</sub> = 3V	-	-	10.0	μA		
Output	Operating supply voltage	V <sub>CC</sub>	-	4.5	-	17.0	V		
	Low level output voltage	V <sub>OL</sub>	V <sub>CC</sub> = 5V, I <sub>F</sub> = 0mA, I <sub>OL</sub> = 16mA	-	0.15	0.4	V		
	High level output voltage	V <sub>OH</sub>	V <sub>CC</sub> = 5V, I <sub>F</sub> = 8mA	4.9	-	-	V		
	Low level supply current	I <sub>CCL</sub>	V <sub>CC</sub> = 5V, I <sub>F</sub> = 0mA	-	1.7	3.8	mA		
	High level supply current	I <sub>CCH</sub>	V <sub>CC</sub> = 5V, I <sub>F</sub> = 8mA	-	0.7	2.2	mA		
	Transfer characteristics	*1 "Low→High" threshold input current		I <sub>FLH</sub>	V <sub>CC</sub> = 5V	-	1.5	8.0	mA
*2 Hysteresis		I <sub>FHL</sub> / I <sub>FLH</sub>	V <sub>CC</sub> = 5V	0.55	0.75	0.95	-		
Response time		"Low→High" propagation delay time		t <sub>PLH</sub>	V <sub>CE</sub> = 5V, I <sub>F</sub> = 8mA R <sub>L</sub> = 280Ω	-	3.0	9.0	μs
		"High→Low" propagation delay time		t <sub>PHL</sub>		-	5.0	15.0	μs
		Rise time		t <sub>r</sub>		-	0.1	0.5	μs
		Fall time		t <sub>f</sub>		-	0.05	0.5	μs

\*1 I<sub>FLH</sub> represents forward current when output changes from low to high.

\*2 I<sub>FHL</sub> represents forward current when output changes from high to low.

## Recommended Operating Conditions

Parameter	Symbol	Operating temperature range	MIN.	MAX.	Unit
Output current	I <sub>O</sub>	Ta = 0 to + 70°C	-	16.0	mA
Forward current	I <sub>F</sub>		10.0	20.0	mA

Fig. 1 Forward Current vs. Ambient Temperature

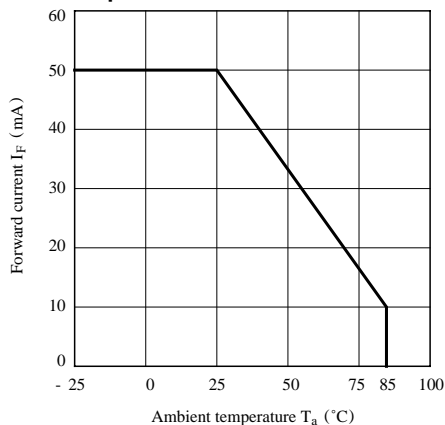
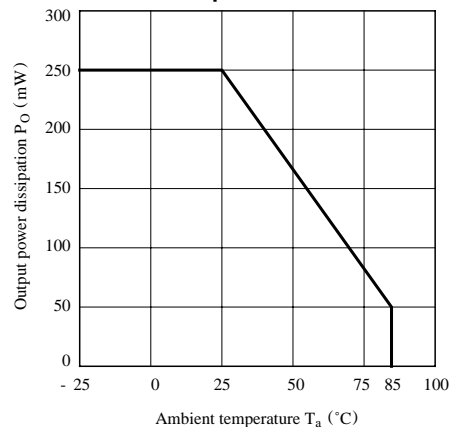
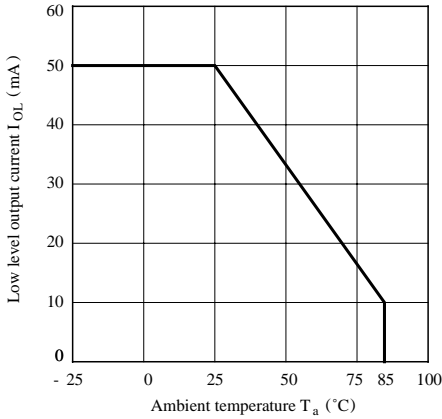


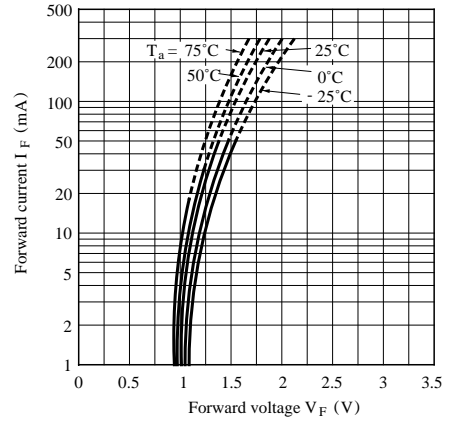
Fig. 2 Output Power Dissipation vs. Ambient Temperature



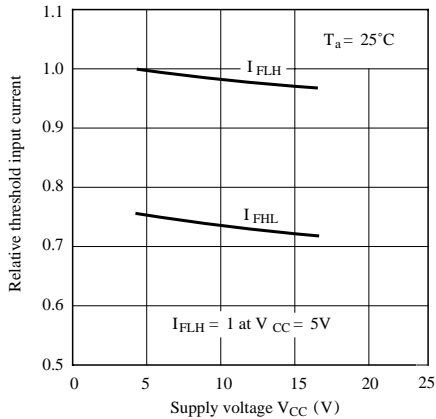
**Fig. 3 Low Level Output Current vs. Ambient Temperature**



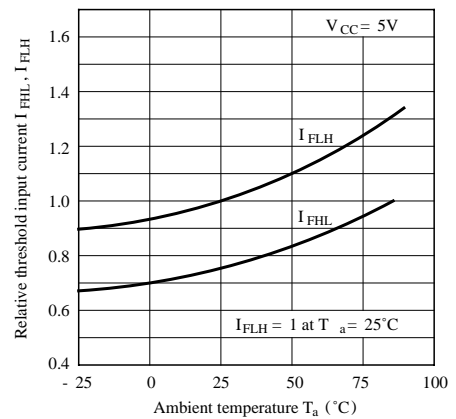
**Fig. 4 Forward Current vs. Forward Voltage**



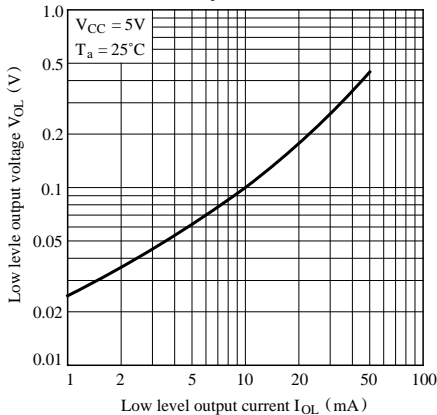
**Fig. 5 Relative Threshold Input Current vs. Supply Voltage**



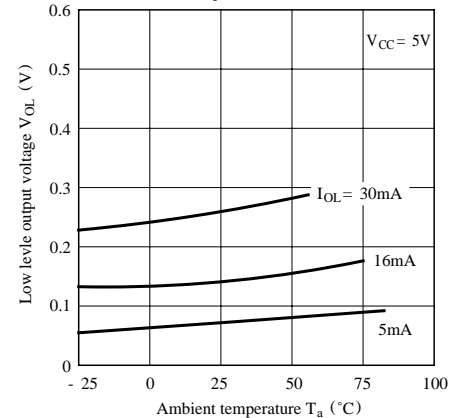
**Fig. 6 Relative Threshold Input Current vs. Ambient Temperature**



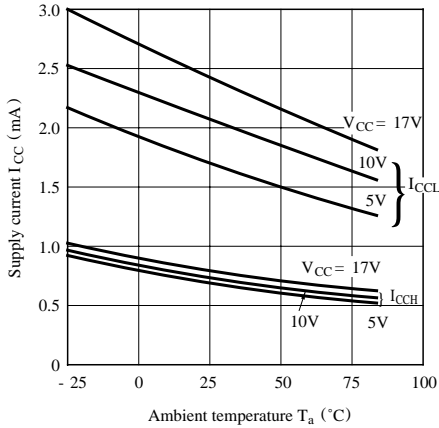
**Fig. 7 Low Level Output Voltage vs. Low Level Output Current**



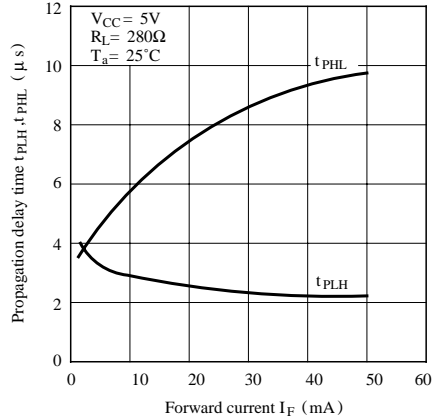
**Fig. 8 Low Level Output Voltage vs. Ambient Temperature**



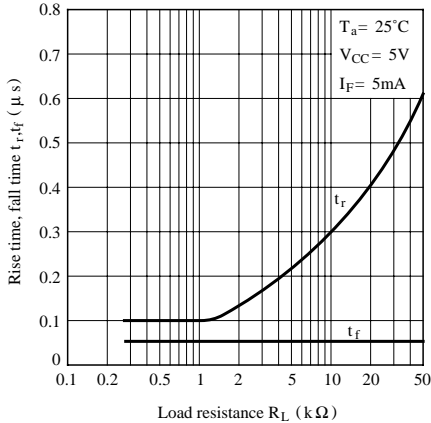
**Fig. 9 Supply Current vs. Ambient Temperature**



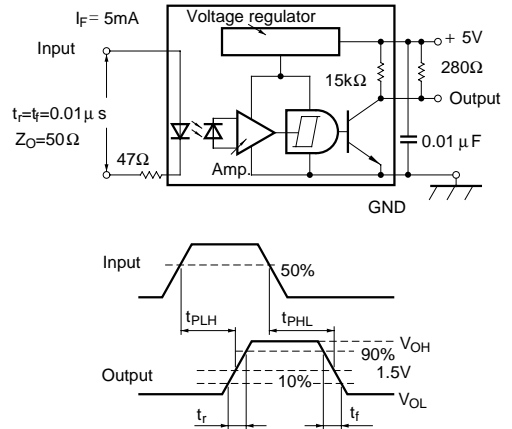
**Fig.10 Propagation Delay Time vs. Forward Current**



**Fig.11 Rise Time, Fall Time vs. Load Resistance**



**Test Circuit for Response Time**



**■ Precautions for Use**

- (1) In order to stabilize power supply line, connect a by-pass capacitor of more than 0.01µF between Vcc and GND near the device.
- (2) In case of cleaning, use only the following type of cleaning solvent.  
Ethyl alcohol, Methyl alcohol, Isopropyl alcohol
- (3) As for other general cautions, refer to the chapter “Precautions for Use”.