

**Rail-to-Rail I/O, High-Slew-Rate OP Amp****Features**

- +2.2V to +7V Single-Supply Operation
- Input / Output Rail-to-Rail
- Low Input Current
- High Output Driving Capacity
- Low Quiescent Current: 500 μ A @ 5V
- High Slew Rate 6.5V/ μ s
- High Gain-Bandwidth Product 6.5MHz
- High Open Loop Gain 95dB
- High PSRR 70dB

Applications

- Headphone Driver
- Portable Equipment
- Battery-Powered Equipment
- Multimedia Audio
- ASIC Input or Output Amplifier
- Sensor Amplifier
- Low Power/Low Voltage Applications
- Set-up Box Audio HP or Pre-driver Applications

General Description

G1214A is a input/output rail-to-rail Operational Amplifier. It can be operated from +2.2V to +7V single supply or from $\pm 1.1V$ to $\pm 3.5V$ dual supply. G1214A can drive 66mA into resistor loads to within 10% power rail. AC performance is very excellent with 6.5MHz bandwidth, 6.5V/ μ s Slew Rate, 95dB open loop gain, 60 degree phase margin and low distortion.

Supply current of G1214A is only 500 μ A per Amplifier. It is very suitable for low current consumption applications to control high current loads. Applications include audio amplification for computers, sound ports, sound cards and set-top boxes.

G1214A is housed in a small SOT-23-5 package.

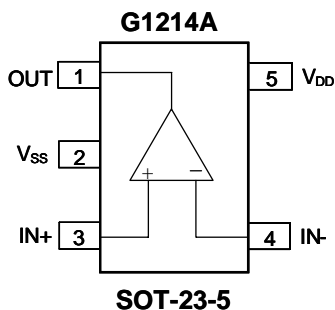
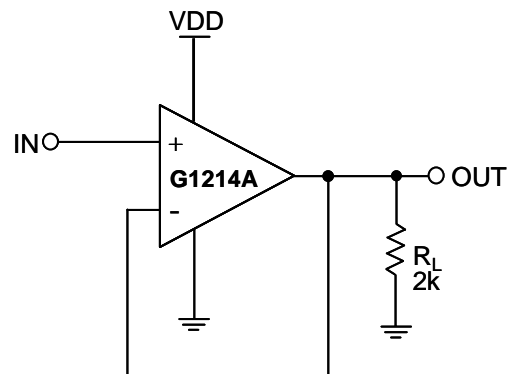
Ordering Information

ORDER NUMBER	MARKING	TEMP. RANGE	PACKAGE (Green)
G1214AT11U	124Ax	-40°C to 85°C	SOT-23-5

Note:T1: SOT-23-5

1: Bonding Code

U: Tape & Reel

Pin Configuration**Typical Application Circuit**

Rail-to-Rail is a registered trademark of Nippon Motorola, Ltd.