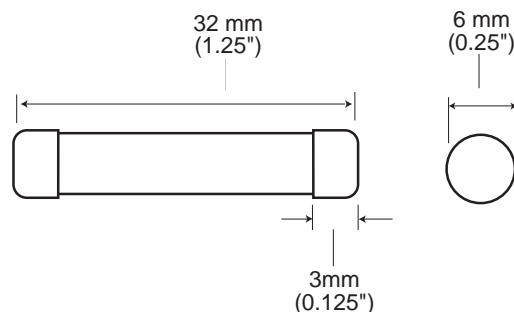


### Dimensions



Size	Electrical Characteristics				Ordering Information			Performance Curves
	Rated current RMS-Amps	Pre-arc I <sup>2</sup> t	Clearing at 500V I <sup>2</sup> t	Watts Loss @ Rated Current (w)	Part Number	Carton Qty.	Carton Weight (Kg)	BIF Document
6 x 32 mm (1/4" x 1 1/4")	0.25	0.01	0.05	2.7	FWH-.250A6F	10	0.03	E5788256 (35788256)
	0.5	0.05	0.25	1.2	FWH-.500A6F	10	0.03	
	1	0.4	2	1.7	FWH-001A6F	10	0.03	
	2	1.3	3.5	3.2	FWH-002A6F	10	0.03	
	3.15	3.1	7.7	2.9	FWH-3.15A6F	10	0.03	
	5	15	40	2.1	FWH-005A6F	10	0.03	
	6.3	36	90	2.3	FWH-6.30A6F	10	0.03	
	7	50	125	2.5	FWH-007A6F	10	0.03	
	10				FWH-010A6F	10	0.03	
	12.5	20		3.53	FWH-12.5A6F	10	0.03	50955
	15	44	146	3.08	FWH-015A6F	10	0.03	
	16	48	177	4.48	FWH-016A6F	10	0.03	
	20	75	259	4.26	FWH-020A6F	10	0.03	
	25				FWH-025A6F	10	0.03	
	30				FWH-030A6F	10	0.03	

- 0.25A-7A 300% minimum opening current at rated voltage.  
10A-30A 300% minimum opening current at rated voltage.

- Interrupting rating;
  - .25A-20A 50kA
  - 25A-30A 20kA

Blow Times	Current Ratings	200%	300%
	.25A -7A	< 2 min.	≤ 10 sec.
	10A-30A	< 2 min.	≤ 10 sec.