

PART NUMBER: FSK-S10 series

DESCRIPTION: AC-DC converter

Features

- UL, C-UL, CB, CE Marking
- Encapsulated compact case
- High efficiency
- Universal input
- Surface mounting technology
- Built in EMI filter
- Inrush current limit
- 67kHz fixed frequency
- Fixed output voltage
- Thermal shutdown
- Short circuit protection
- Low output ripple and noise
- Isolated output
- 2 year warranty



model number	input voltage	output voltage	power max.	ripple & noise max.	efficiency (%)
FSK-S10-3R3U	AC 85-264V / DC 110-340V	3.3V @ 2.0A	6.6 W	80 mVp-p	73
FSK-S10-5U	AC 85-264V / DC 110-340V	5V @ 2.0A	10 W	80 mVp-p	73
FSK-S10-12U	AC 85-264V / DC 110-340V	12V @ 0.9A	10.8 W	120 mVp-p	75
FSK-S10-15U	AC 85-264V / DC 110-340V	15V @ 0.7A	10.5 W	150 mVp-p	75
FSK-S10-24U	AC 85-264V / DC 110-340V	24V @ 0.45A	10.8 W	200 mVp-p	75

INPUT

parameter	conditions/description	min	nom	max	units
input frequency		47	(50-60)	440	Hz
input voltage		85		264	VAC
		110		340	VDC
input current	AC input of 110 VAC			0.21	A
	AC input of 220 VAC			0.11	A
inrush current	measured at 110 VAC at full load, cold start			30	A
	measured at 220 VAC at full load, cold start			60	A
leakage current	measured at 110 VAC			0.5	mA
	measured at 220 VAC			0.75	mA

OUTPUT

parameter	conditions/description	min	nom	max	units
voltage tolerance		-2%		+2%	(single and uncomplimentary dual)
		-3%		+3%	(complimentary dual)
ripple and noise		-1%		+1%	
line regulation		-1%		+1%	
load regulation		-1%		+1%	
dynamic load regulation		-3%		+3%	
temperature drift		-1%		+1%	
rise time				400	mS
hold-up time		10			mS

PART NUMBER: FSK-S10 series

DESCRIPTION: AC-DC converter

PROTECTION CIRCUIT

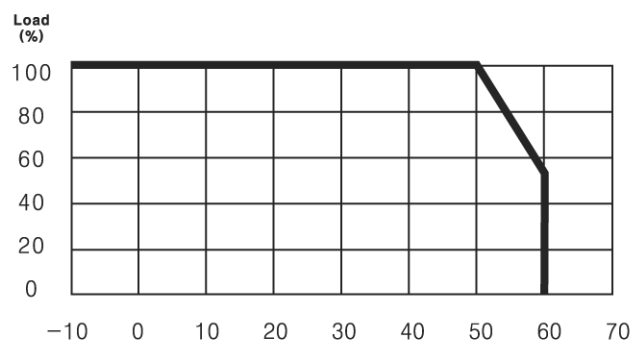
parameter	conditions/description
output over current	works at over 105% of the rating and recovers automatically.
over temperature	145 °C

GENERAL

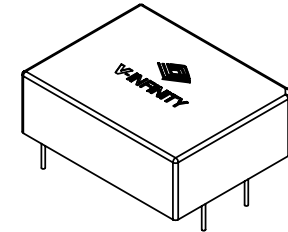
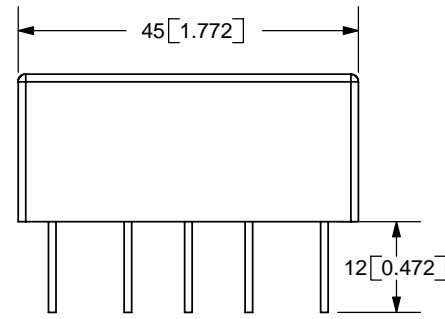
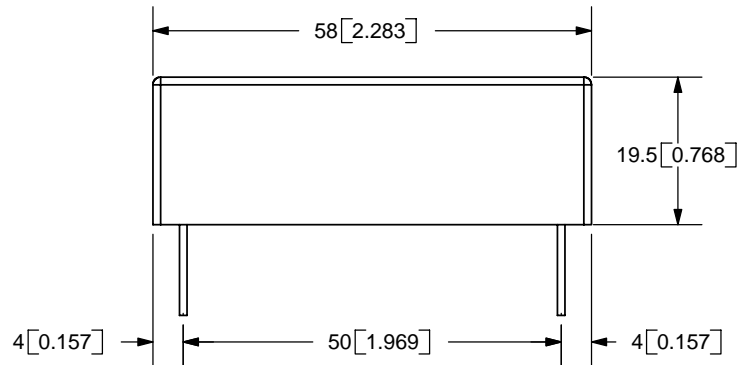
parameter	conditions/description	min	nom	max	units
operating temp.		-10		60	°C
storage temp.		-20		70	°C
operating humid.	non-condensing	20%		90%	RH
storage humid.	non-condensing	20%		90%	RH
isolation voltage (HI-POT)	applied for 1 minute, 10mA primary to secondary, 500 Vdc @ 100 MΩ	3000			VAC
vibration	at 10G 3 minute period	10		55	Hz
impact	50G for 11mS, once on each X, Y, Z axis				
MTBF	3.0×10^5				hours
RoHS	yes				
safety	approved to UL60950(E222889), CSA C22.2 NO.60950, CE (EN 60950) - through TUV				
EMC ¹	5W, 10W single output: EMC (single output) EN61204-3 class B / EN 6100-3-2 / EN 6100-3-3 (through TUV)				
warranty	standard warranty length			2	years

note: 1. to meet the standard of EN61204-3 class B, use the external noise filter between L and N (refer to manual)

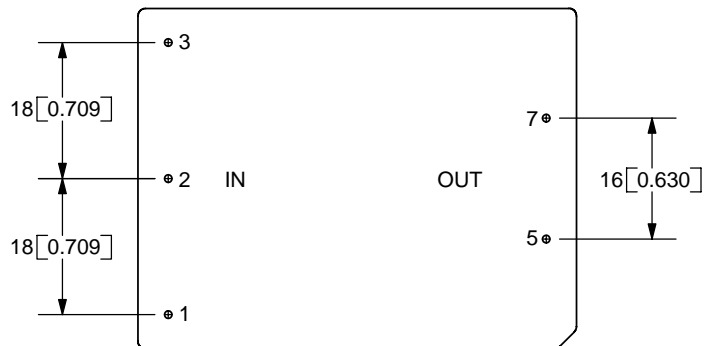
DERATING CURVE



REV.	DESCRIPTION	DATE
A	NEW DRAWING	9/11/2006



Scale 1:2



TOLERANCE:
±0.3mm UNLESS OTHERWISE
SPECIFIED



CUI INC

20050 SW 112th Ave.
Tualatin, OR 97062
Phone: 503-612-2300
800-275-4899
Fax: 503-612-2383
Website: www.cui.com

Pin Assignments

Pin Number	Single Output
1	FG
2	AC (N)
3	AC (L)
4	No Pin
5	Output 1
6	No Pin
7	GND
8	No Pin

TITLE: AC-DC Converter		REV: A
PART NO. FSK-S10		UNITS: MM [INCHES]
DRAWN BY: JMS	APPROVED BY:	SCALE: 1:1

PC FILE NAME:
FSK-S10

COPYRIGHT
2007 BY CUI INC.

- Notes:
- All dimensions are in mm [inches]
 - Weight: 90g or less