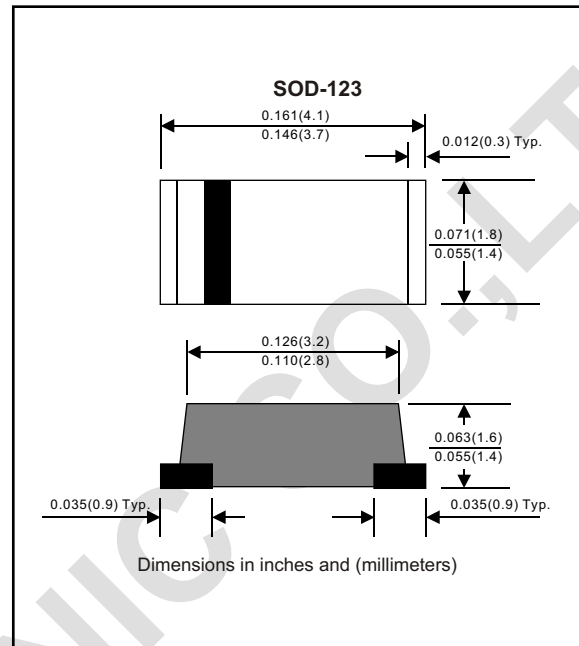


### Features

- Plastic package has Underwriters Laboratory Flammability Classification 94V-O Utilizing Flame Retardant Epoxy Molding Compound.
- For surface mounted applications.
- Exceeds environmental standards of ML-S-19500 / 228
- Low leakage current

### Mechanical data

Case : Moulded plastic, JEDEC SOD-123 / MINISMA  
 Terminals : Solder plated, solderable per ML-STD-750, Method 2026  
 Polarity : Indicated by cathode band  
 Mounting Position : Any  
 Weight : 0.04 gram



### MAXIMUM RATINGS (AT T<sub>A</sub>=25°C unless otherwise noted)

PARAMETER	CONDITIONS	Symbol	MIN.	TYP.	MAX.	UNIT
Forward rectified current	See Fig.1	I <sub>O</sub>			2.0	A
Forward surge current	8.3ms single half sine-wave superimposed on rate load (JEDEC methode)	I <sub>FSM</sub>			50	A
Reverse current	V <sub>R</sub> = V <sub>RRM</sub> T <sub>A</sub> = 25°C	I <sub>R</sub>			0.5	mA
	V <sub>R</sub> = V <sub>RRM</sub> T <sub>A</sub> = 125°C				10	mA
Thermal resistance	Junction to ambient	R <sub>JA</sub>		85		°C / w
Diode junction capacitance	f=1MHz and applied 4vDC reverse voltage	C <sub>J</sub>		160		pF
Storage temperature		T <sub>STG</sub>	-55		+150	°C

SYMBOLS	MARKING CODE	V <sub>RRM</sub> *1 (V)	V <sub>RMS</sub> *2 (V)	V <sub>R</sub> *3 (V)	V <sub>F</sub> *4 (V)	Operating temperature (°C)
FM220-M	22	20	14	20	0.50	-55 to +125
FM230-M	23	30	21	30		
FM240-M	24	40	28	40		
FM250-M	25	50	35	50	0.70	-55 to +150
FM260-M	26	60	42	60		
FM280-M	28	80	56	80	0.85	
FM2100-M	20	100	70	100		

\*1 Repetitive peak reverse voltage

\*2 RMS voltage

\*3 Continuous reverse voltage

\*4 Maximum forward voltage

### RATING AND CHARACTERISTIC CURVES (FM220-M THRU FM2100-M)

FIG.1-TYPICAL FORWARD CURRENT DERATING CURVE

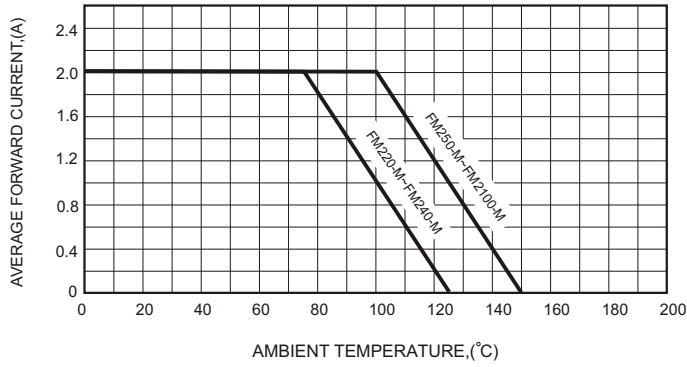


FIG.2-TYPICAL FORWARD CHARACTERISTICS

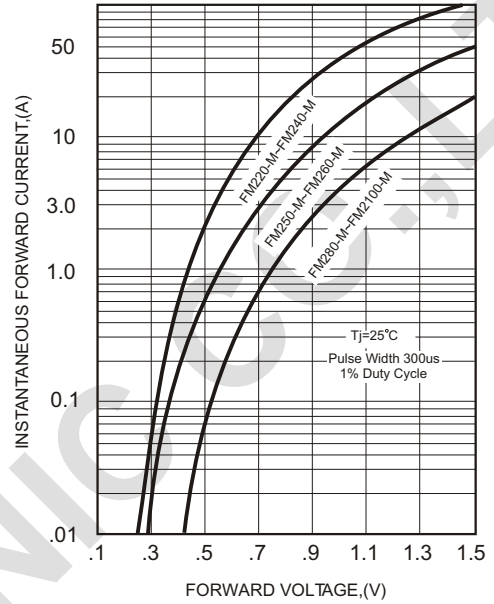


FIG.3-MAXIMUM NON-REPETITIVE FORWARD SURGE CURRENT

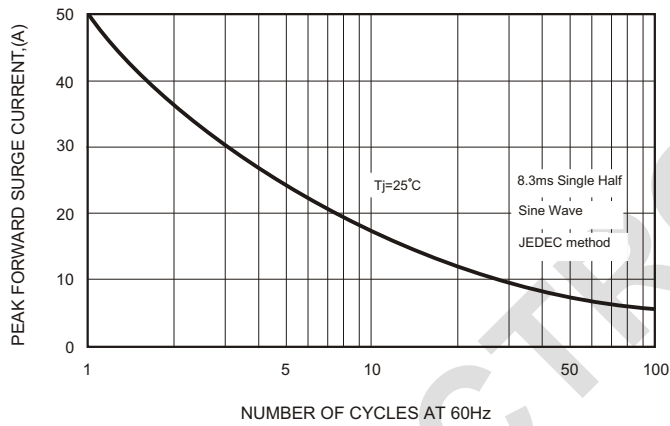


FIG.4-TYPICAL JUNCTION CAPACITANCE

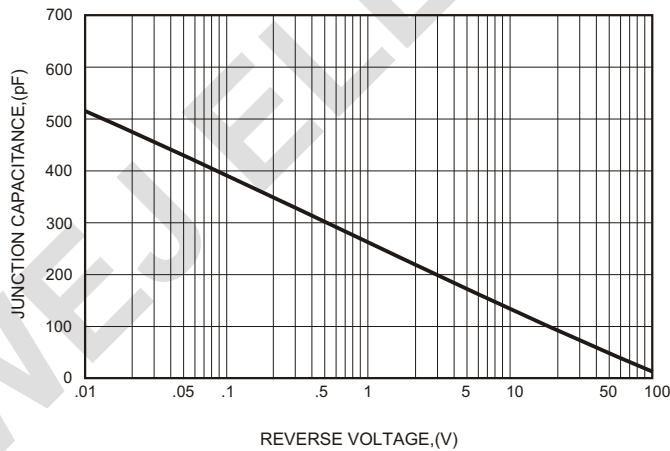


FIG.5 - TYPICAL REVERSE CHARACTERISTICS

