

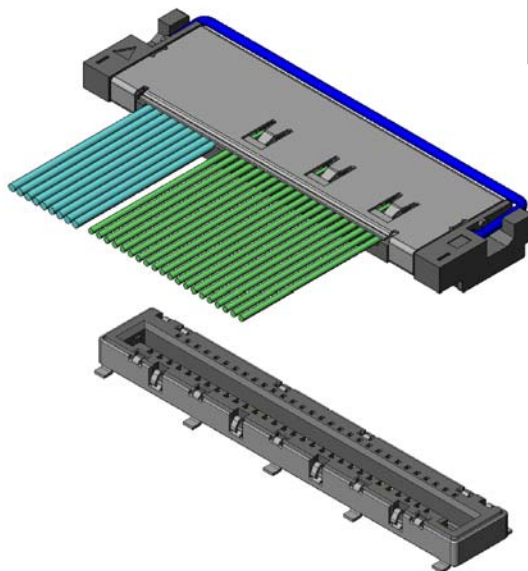
NEW
Board to Cable Connector Compatible to
High-Speed Differential Transmission

CONNECTOR

MB-0162-1

October 2006

FI-G Series

RoHS Compliant

FI-G series is a high speed differential transmission connector for LCD panel connection.

Features

- Terminal pitch: 0.5mm, Connector height: 2.4mm, suitable for handheld devices.
- High speed transmission area of cable is compatible to fine coaxial wire (AWG#40 to 42)
- Ground performance is enhanced by the shell to shell/ shell to board multipoint connection established to improve EMI characteristics.
- With pull bar for easy connector removal

General Specification

- No. of contacts: 30 pos.
- Contact resistance: 60m ohm max.
- Dielectric withstanding voltage: 500Vr.m.s. per minute
- Insulation resistance: 100M ohm min.
- Operating temperature: -40 Deg. C to +80 Deg. C
- Rated current: 0.5A per contact
- Life time: 30 times
- Applicable cable: Contact No. 20 to 30(for signal) Coaxial (AWG#40 or #42)
Contact No. 1 to 20(for power and other use) Discrete wire(AWG#32 or #36)

Materials and Finishes

Board side connector

FI-G30S-VF25, FI-G30S-VF25-R3000 (Board side connector)

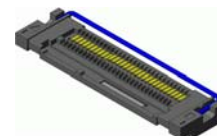
Components	Materials and Finishes
Contact	Copper alloy/ Contact area Au, SMT Terminal area Sn plating
Insulator	Heat resistant plastic/ None
Shell	Stainless/ Sn plating
Adsorption tape	Heat resistant tape/ None



Cable side connector

FI-G30C2 (Cable side connector)

Components	Materials and Finishes
Contact1	Copper alloy/ Contact area: 0.1um min. Au plating over Ni Terminal area: Sn plating over Ni
Contact2	Copper alloy/ Contact area: 0.1um min. Au plating over Ni Terminal area: Sn plating over Ni
Insulator	Heat resistant plastic/ None
Shell	Stainless/ Sn plating
Pull bar	Stainless/ None



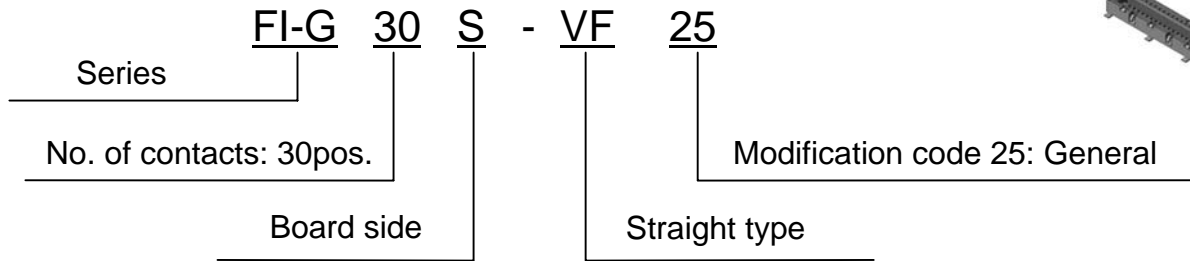
FI-G30C2-SH-B2-8000 (Slide shell for Cable side connector)

Components	Materials and Finishes
Slide shell	Stainless/ Sn plating

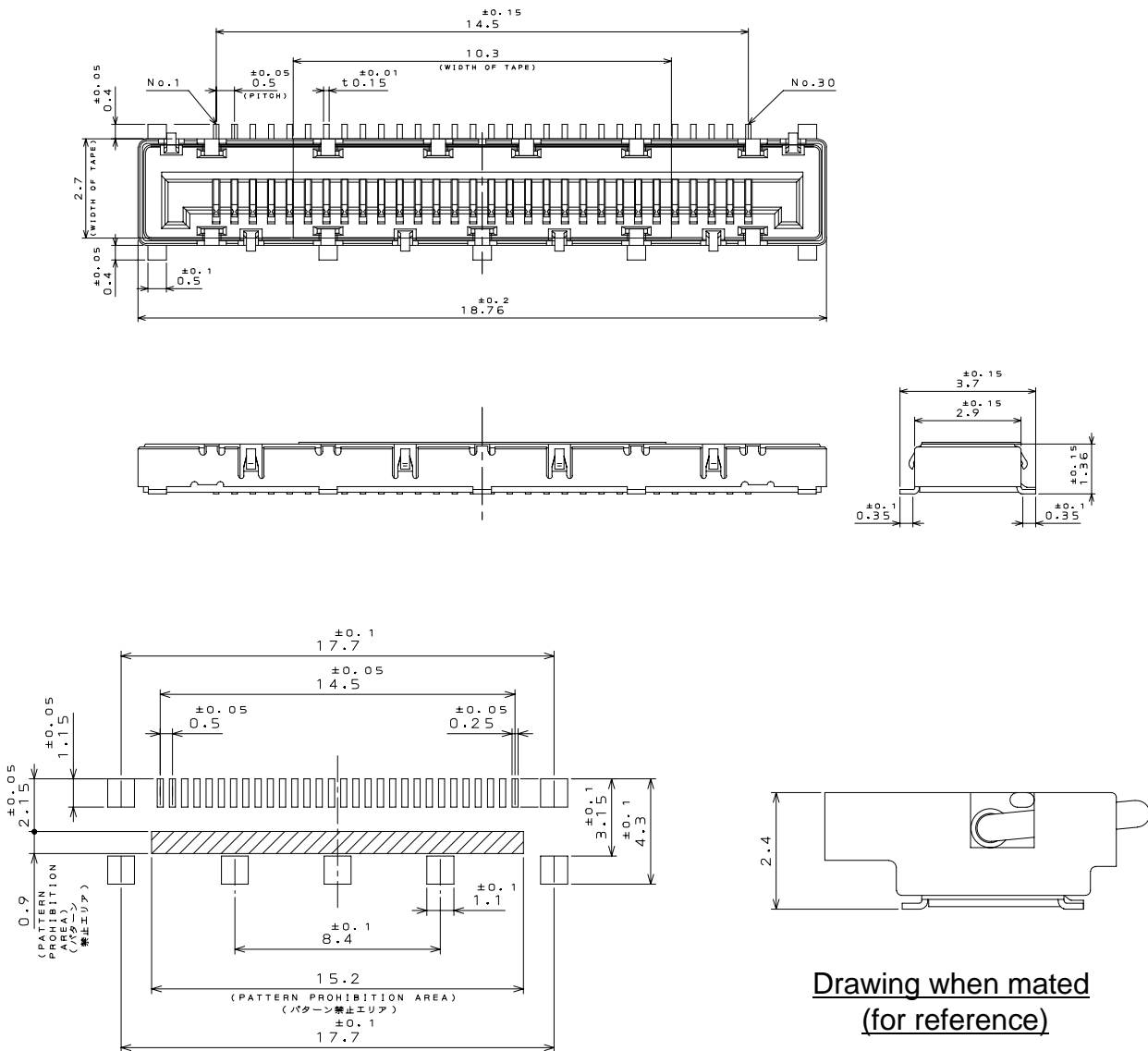


Ordering Information

Board side connector
Individual product (SJ104302)



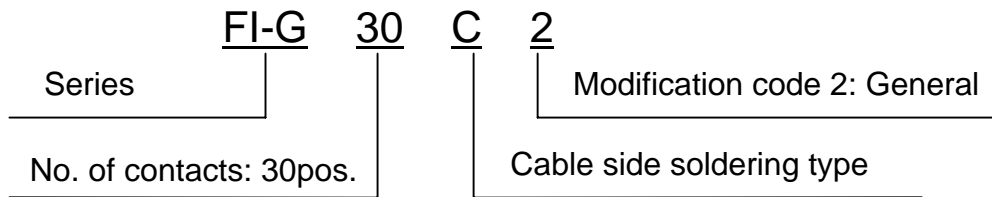
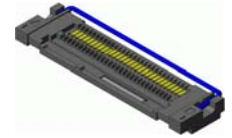
Unit: mm



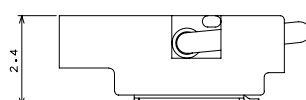
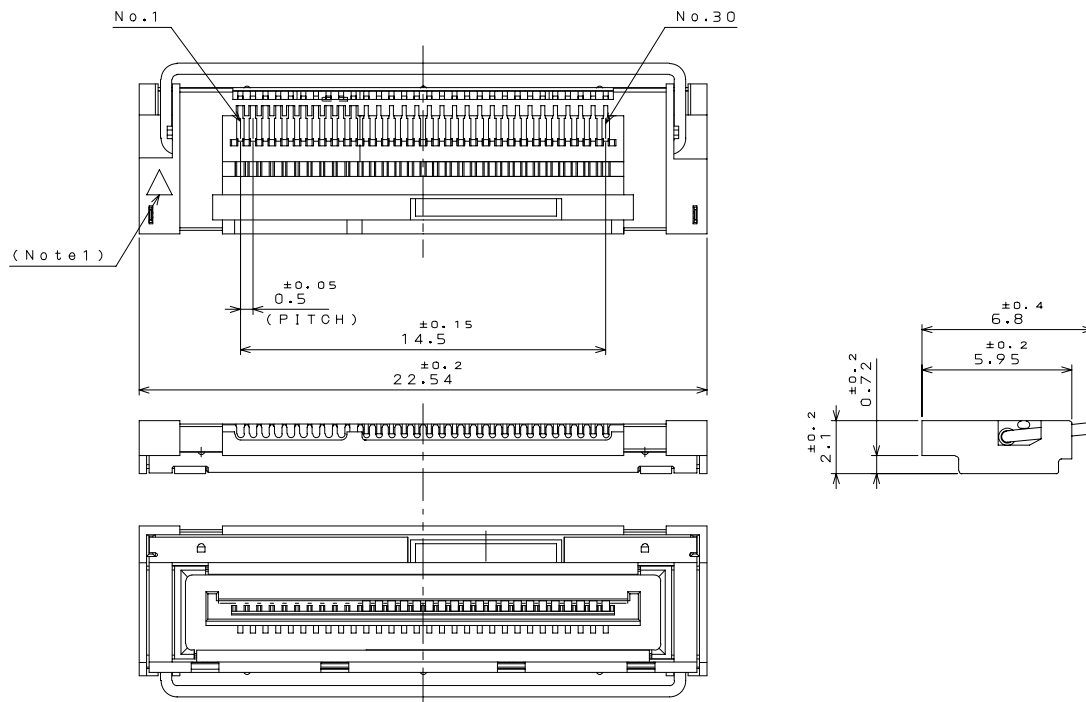
Recommend Board Dimensions

Ordering Information

Cable side connector
Individual product (SJ104300)



Unit: mm



Drawing when mated (for reference)

Related Documents

- Specifications (JACS): JACS-10288

Japan Aviation Electronics Industry, Limited

Product Marketing Division
Aobadai Building, 3-1-19, Aobadai, Meguro-ku, Tokyo 153-8539
Phone: +81-3-3780-2787 FAX: +81-3-3780-2946

Notice: Products shown in this leaflet are made for the applications listed below. However, if the above-mentioned products are to be used in aerospace devices, marine cable-connection devices, atomic power control systems, medical equipment for life-support systems, and any other specific application requiring extremely high reliability, please contact JAE for further information.

Recommended applications: Computers, Office machines, Measuring devices, Telecommunication devices (Terminals, Mobile devices), AV devices, Household applications, FA devices, etc.