



Micro Commercial Components
 21201 Itasca Street Chatsworth
 CA 91311
 Phone: (818) 701-4933
 Fax: (818) 701-4939

ER1VG

1 Amp Super Fast Recovery Silicon Rectifier 1400 Volts

Features

- For Surface Mount Applications
- Extremely Low Thermal Resistance
- High Temp Soldering: 250°C for 10 Seconds At Terminals
- Super Fast Recovery Times For High Efficiency
- Gull Wing Lead Bend To Prevent Arcing
- Perfect For Ballast, Television And Monitor Applications

Maximum Ratings

- Operating Temperature: -50°C to +150°C
- Storage Temperature: -50°C to +150°C
- Maximum Thermal Resistance; 15°C/W Junction To Lead

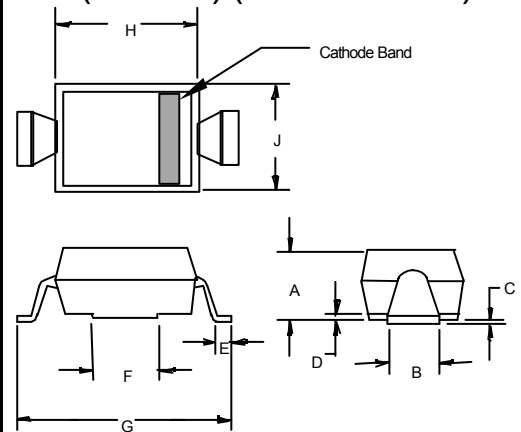
MCC Part Number	Device Marking	Maximum Recurrent Peak Reverse Voltage	Maximum RMS Voltage	Maximum DC Blocking Voltage
ER1VG	ER1V	1400V	980V	1400V

Electrical Characteristics @ 25°C Unless Otherwise Specified

Average Forward Current	$I_{F(AV)}$	1.0A	$T_J = 55^\circ\text{C}$
Peak Forward Surge Current	I_{FSM}	30A	8.3ms, half sine
Maximum Instantaneous Forward Voltage	V_F	2.2V	$I_{FM} = 1.0A;$ $T_J = 25^\circ\text{C}^*$
Maximum DC Reverse Current At Rated DC Blocking Voltage	I_R	5 μA 30 μA	$T_J = 25^\circ\text{C}$ $T_J = 125^\circ\text{C}$
Maximum Reverse Recovery Time	T_{rr}	100ns	$I_F=0.5A, I_R=1.0A,$ $I_{rr}=0.25A$
Typical Junction Capacitance	C_J	45pF	Measured at 1.0MHz, $V_R=4.0V$

*Pulse test: Pulse width 200 μsec , Duty cycle 2%

DO-215AA (SMBG) (Round Lead)



DIM	DIMENSIONS				NOTE
	INCHES		MM		
A	.075	.116	1.90	2.95	
B	.078	.087	1.98	2.21	
C	.002	.008	.05	.20	
D		.02		.51	
E	.015	.03	.38	.76	
F	.065	.084	1.65	2.13	
G	.245	.276	6.22	7.00	
H	.160	.180	4.06	4.57	
J	.130	.151	3.30	3.83	

SUGGESTED SOLDER PAD LAYOUT

