

10Base-T Quad SMT Module with Common Mode Choke EPE6224S & EPE6224S-RC

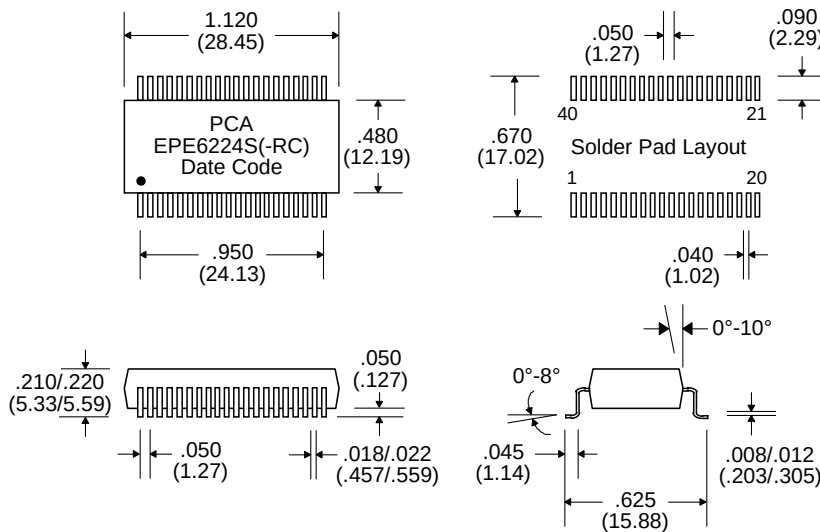
- Complies with or exceeds IEEE 802.3, 10Base-T Standards
- Add “-RC” after part number for RoHS Compliant
- Operating Temperature : 0°C to 70°C

Electrical Parameters @ 25° C

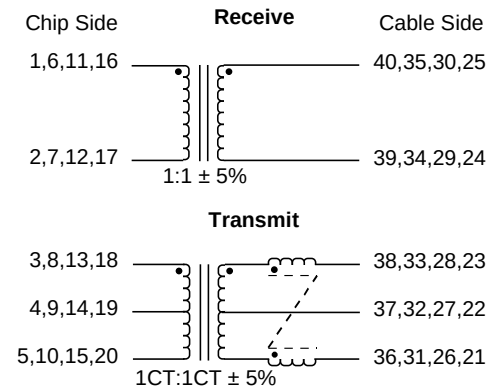
OCL (μ H Typ.)	Insertion Loss (dB Max.)	Return Loss (dB Min.)	Transmit CMRR (dB Min.)			Crosstalk (dB Min.)	
			1-10 MHz	50 MHz	100 MHz		
100 KHz, 0.1 Vrms	1-10 MHz	5-10 MHz	1-10 MHz	50 MHz	100 MHz	200 MHz	5-10 MHz
135	-1.0	-20	-50	-35	-25	-15t	-50

- Hipot : Pri. to Sec. 1500 Vrms •

Package



Schematic



Notes :	EPE6224S	EPE6224S-RC
1. Assembly Process (Solder Composition)	SnPb	Pb-Free + (RoHS exemption 7a)
2. Peak Solder Rating (per IPC/JEDEC J-STD-020C)	225°C	260°C
3. Moisture Sensitive Levels (MSL) (per IPC/JEDEC J-STD-020C)	MSL = 3 (168 Hours, \leq 30°C/60%RH)	MSL = 4 (72 Hours, \leq 30°C/60%RH)
4. Weight	TBD grams	TBD grams
5. Packaging Information (*Add "TR" to end of part number when placing order)	(Tube) TBD pieces/tube	TBD pieces/tube
	(Tape & Reel) TBD pieces/13" reel (*EPE6224S-TR)	TBD pieces/13" reel (*EPE6224S-RCTR)

Unless Otherwise Specified Dimensions are in Inches /mm ± .010 / .25