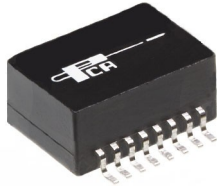


## EPA3341S

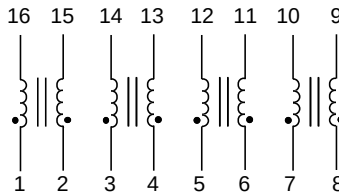


- For EMI Reduction
- Complies with or exceeds IEEE Requirements

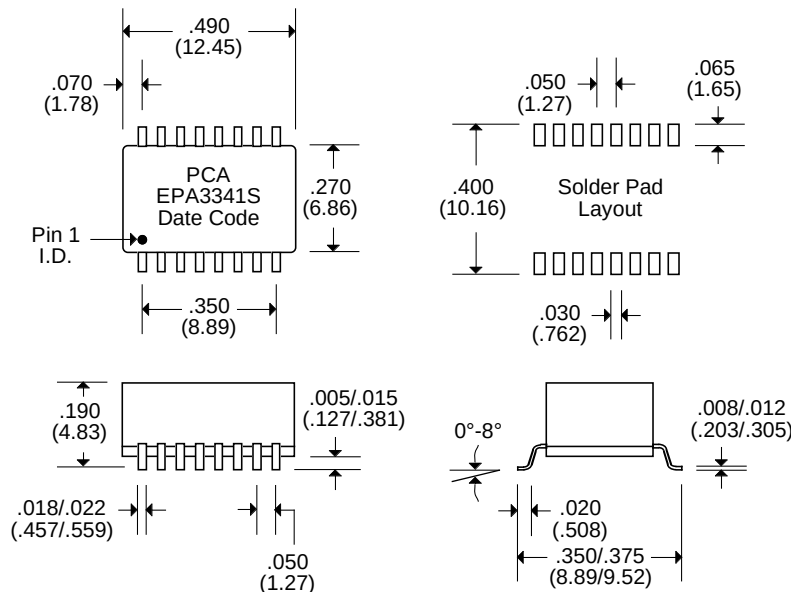
### Electrical Parameters @ 25° C

OCL ( $\mu\text{H}$ Min.)	Interwinding Capacitance (pF Max.)	Leakage Inductance ( $\mu\text{H}$ Max.)	Hipot (Vrms)	DCR ( $\Omega$ Max.)	CMRR (dB Min.)					
					@ 0.3 MHz	@ 10 MHz	@ 50 MHz	@ 100 MHz	@200 MHz	@300 MHz
@ 100 KHz, 0.1 Vrms	@ 100 KHz, 0.1 Vrms	@ 100 KHz, 0.1 Vrms	---	---	@ 0.3 MHz	@ 10 MHz	@ 50 MHz	@ 100 MHz	@200 MHz	@300 MHz
95	25	0.25	500	0.65	7	28	30	25	18	10

### Schematic



### Package



Unless Otherwise Specified Dimensions are in Inches /mm  $\pm$  .010 / .25