

# Model EN11

11mm Rotary Encoder

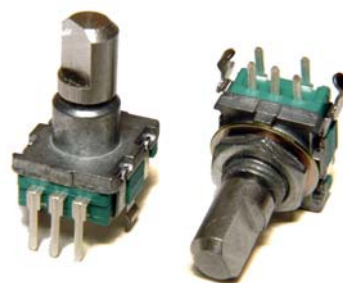
2 Bits Gray Code

Incremental/Contacting Type

Metal Bushing/Shaft

Push-on Switch Option

RoHS Compliant



## MODEL STYLES

Top Adjust, with Switch, Threaded Bushing	EN11-HSM
Top Adjust, without Switch, Threaded Bushing	EN11-HNM
Top Adjust, with Switch, Plain Bushing	EN11-HSB
Top Adjust, without Switch, Plain Bushing	EN11-HNB
Side Adjust, with Switch, Threaded Bushing	EN11-VSM
Side Adjust, without Switch, Threaded Bushing	EN11-VNM
Side Adjust, with Switch, Plain Bushing	EN11-VSB
Side Adjust, without Switch, Plain Bushing	EN11-VNB

## ELECTRICAL<sup>1</sup>

Pulses ( Per Revolution )	15, 20
Encoder Closed Circuit Resistance	3 Ohms, max.
Encoder Contact Rating	10mA/ 5Vdc
Operating Current, Maximum	10mA
Dielectric Strength	300Vac/1mA, 1 minute
Insulation Resistance, Minimum	100M ohms at 250Vdc/ 1mA
Sliding Noise ( at 60 RPM )	2.0ms max.
Contact Bounce ( at 15 RPM)	5.0ms max.
Operating Speed ( RPM )	100 RPM max.
Switch Power rating	10mA/ 5Vdc
Switch Contact Resistance	100 milliohms
Actual Electrical Travel, Nominal	Continuous

## MECHANICAL

Total Mechanical Travel	Continuous
Detents ( per Revolution)	0, 20 and 30
Rotational Torque of Detent, Maximum	2.5 oz-in
Switch Operating Force	550 gf
Switch Travel	0.5mm

<sup>1</sup> Specifications subject to change without notice.

# Model EN11

## ENVIRONMENTAL

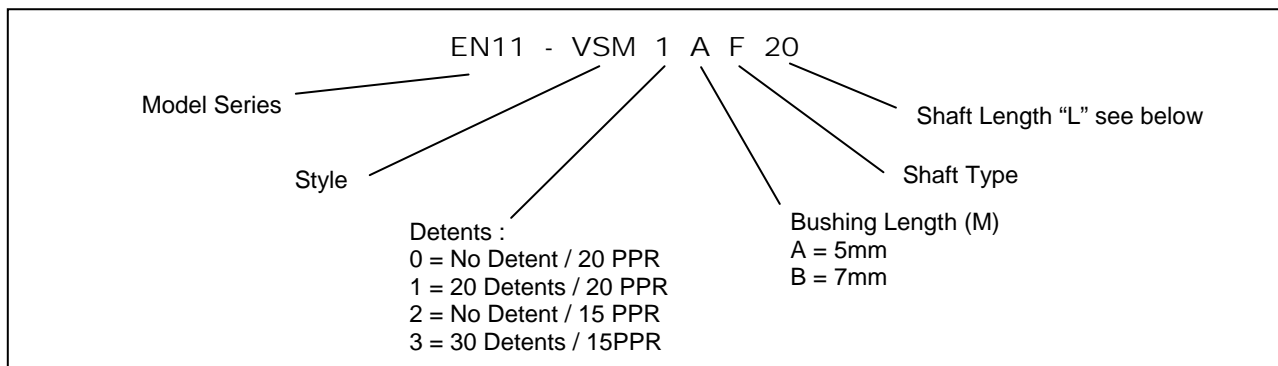
Operating Temperature Range

-30°C to +85°C

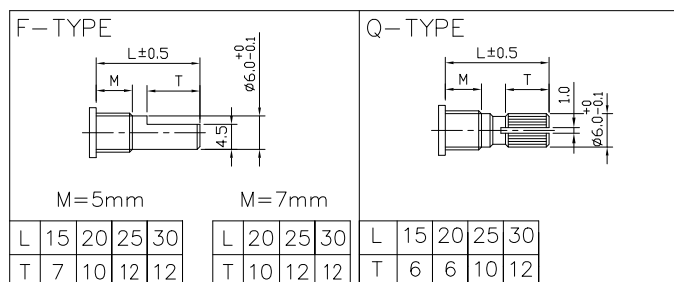
Rotational Life

30,000 cycles

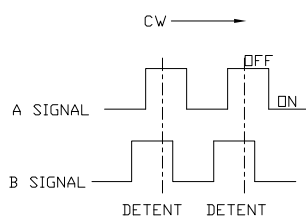
## ORDERING INFORMATION<sup>2</sup>



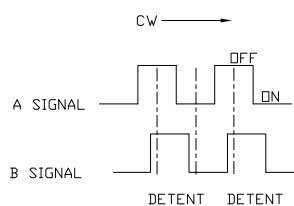
### Shaft Types



## CIRCUIT DIAGRAM



**For 20 PPR (B leads A)**



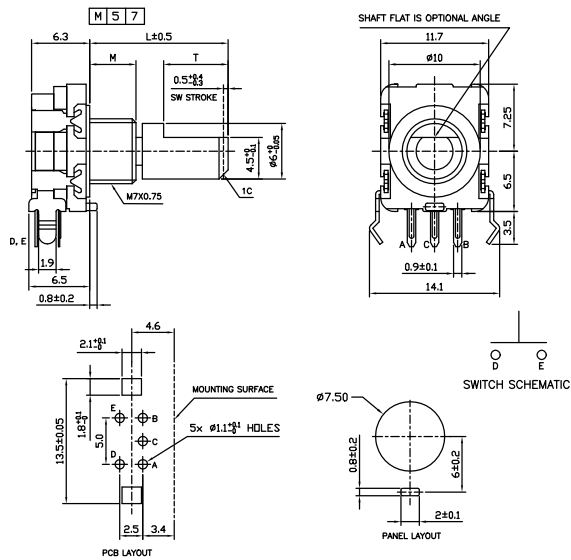
**For 15 PPR (A leads B)**

<sup>2</sup> Contact our customer service for custom designs and features.

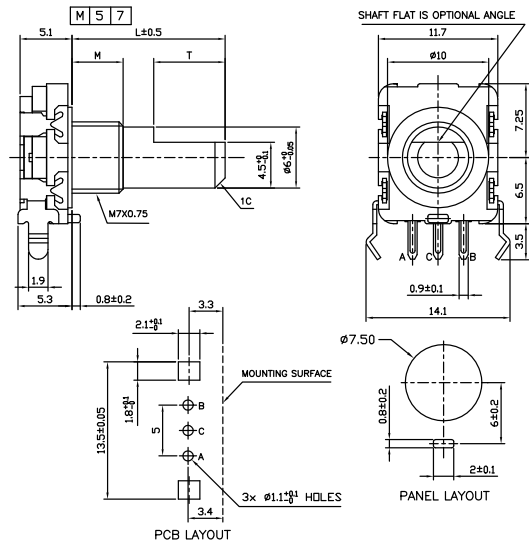


# Model EN11

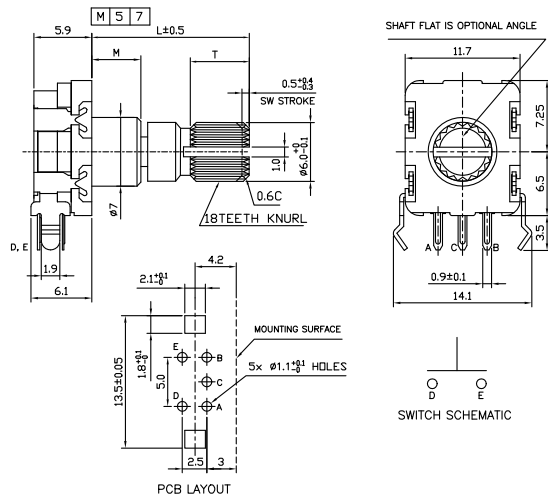
## MODEL EN11-VSM (Side Adjust, with Switch, Threaded Bushing)



## MODEL EN11-VNM (Side Adjust, without Switch, Threaded Bushing)



## MODEL EN11-VSB (Side Adjust, with Switch, Plain Bushing)



## MODEL EN11-VNB (Side Adjust, without Switch, Plain Bushing)

