

128M bits SDRAM WTR (Wide Temperature Range)

EDS1232AATA-MI (4M words × 32 bits)

Description

The EDS1232AA is a 128M bits SDRAM organized as 1,048,576 words × 32 bits × 4 banks. All inputs and outputs are synchronized with the positive edge of the clock.

They are packaged in 86-pin plastic TSOP (II).

Features

- 3.3V power supply
- Clock frequency: 133MHz (max.)
- Single pulsed /RAS
- ×32 organization
- 4 banks can operate simultaneously and independently
- Burst read/write operation and burst read/single write operation capability
- Programmable burst length (BL): 1, 2, 4, 8 and full page
- 2 variations of burst sequence
 - Sequential (BL = 1, 2, 4, 8, full page)
 - Interleave (BL = 1, 2, 4, 8)
- Programmable /CAS latency (CL): 2, 3
- Byte control by DQM
- Refresh cycles: 4096 refresh cycles/64ms
- 2 variations of refresh
 - Auto refresh
 - Self refresh
- Ambient temperature range: -40 to +85°C

Pin Configurations

/xxx indicates active low signal.

86-pin Plastic TSOP(II)

| | | | |
|---------|----|----|------|
| VDD | 1 | 86 | VSS |
| DQ0 | 2 | 85 | DQ15 |
| VDDQ | 3 | 84 | VSSQ |
| DQ1 | 4 | 83 | DQ14 |
| DQ2 | 5 | 82 | DQ13 |
| VSSQ | 6 | 81 | VDDQ |
| DQ3 | 7 | 80 | DQ12 |
| DQ4 | 8 | 79 | DQ11 |
| VDDQ | 9 | 78 | VSSQ |
| DQ5 | 10 | 77 | DQ10 |
| DQ6 | 11 | 76 | DQ9 |
| VSSQ | 12 | 75 | VDDQ |
| DQ7 | 13 | 74 | DQ8 |
| NC | 14 | 73 | NC |
| VDD | 15 | 72 | VSS |
| DQM0 | 16 | 71 | DQM1 |
| /WE | 17 | 70 | NC |
| /CAS | 18 | 69 | NC |
| /RAS | 19 | 68 | CLK |
| /CS | 20 | 67 | CKE |
| A11 | 21 | 66 | A9 |
| BA0 | 22 | 65 | A8 |
| BA1 | 23 | 64 | A7 |
| A10(AP) | 24 | 63 | A6 |
| A0 | 25 | 62 | A5 |
| A1 | 26 | 61 | A4 |
| A2 | 27 | 60 | A3 |
| DQM2 | 28 | 59 | DQM3 |
| VDD | 29 | 58 | VSS |
| NC | 30 | 57 | NC |
| DQ16 | 31 | 56 | DQ31 |
| VSSQ | 32 | 55 | VDDQ |
| DQ17 | 33 | 54 | DQ30 |
| DQ18 | 34 | 53 | DQ29 |
| VDDQ | 35 | 52 | VSSQ |
| DQ19 | 36 | 51 | DQ28 |
| DQ20 | 37 | 50 | DQ27 |
| VSSQ | 38 | 49 | VDDQ |
| DQ21 | 39 | 48 | DQ26 |
| DQ22 | 40 | 47 | DQ25 |
| VDDQ | 41 | 46 | VSSQ |
| DQ23 | 42 | 45 | DQ24 |
| VDD | 43 | 44 | VSS |

(Top view)

| | | | |
|-------------|-----------------------|--------------|-----------------------|
| A0 to A11, | Address inputs | DQM0 to DQM3 | DQ mask enable |
| BA0, BA1 | Bank select | CKE | Clock enable |
| DQ0 to DQ31 | Data input/output | CLK | Clock input |
| /CS | Chip select | VDD | Supply voltage |
| /RAS | Row address strobe | VSS | Ground |
| /CAS | Column address strobe | VDDQ | Supply voltage for DQ |
| /WE | Write enable | VSSQ | Ground for DQ |
| | | NC | No connection |

Ordering Information

| Part number | Supply voltage | Organization (words × bits) | Internal Banks | Clock frequency MHz (max.) | /CAS latency | Package |
|------------------|----------------|-----------------------------|----------------|----------------------------|--------------|-----------------------------|
| EDS1232AATA-75MI | 3.3V | 4M × 32 | | 133 100 | 3 2 | 86-pin plastic TSOP (II) |

Part Number

E D S 12 32 A A T A - 75 M I

Elpida Memory

Type

D: Monolithic Device

Product Code

S: SDRAM

Density / Bank

12: 128M/4 Banks

Bit Organization

32: x32

Voltage, Interface

A: 3.3V, LVTTTL

Die Rev.

Spec. Detail

MI: WTR (-40 to +85°C)
& Low Power

Speed

75: 133MHz/CL3
100MHz/CL2

Package

TA: TSOP (II)

CONTENTS

| | |
|--|----|
| Description | 1 |
| Features | 1 |
| Pin Configurations | 1 |
| Ordering Information | 2 |
| Part Number | 2 |
| Electrical Specifications | 4 |
| Block Diagram | 9 |
| Pin Function | 10 |
| Command Operation | 11 |
| Truth Table | 15 |
| Simplified State Diagram | 21 |
| Programming Mode Registers | 22 |
| Mode Register | 23 |
| Power-up sequence | 26 |
| Operation of the SDRAM | 27 |
| Timing Waveforms | 43 |
| Package Drawing | 50 |
| Recommended Soldering Conditions | 51 |

Electrical Specifications

- All voltages are referenced to VSS (GND).
- After power up, execute power up sequence and initialization sequence before proper device operation is achieved (refer to the Power up sequence).

Absolute Maximum Ratings

| Parameter | Symbol | Rating | Unit | Note |
|------------------------------------|-----------|--------------|------|------|
| Voltage on any pin relative to VSS | VT | -0.5 to +4.6 | V | |
| Supply voltage relative to VSS | VDD, VDDQ | -0.5 to +4.6 | V | |
| Short circuit output current | IOS | 50 | mA | |
| Power dissipation | PD | 1.0 | W | |
| Operating ambient temperature | TA | -40 to +85 | °C | |
| Storage temperature | Tstg | -55 to +125 | °C | |

Caution

Exposing the device to stress above those listed in Absolute Maximum Ratings could cause permanent damage. The device is not meant to be operated under conditions outside the limits described in the operational section of this specification. Exposure to Absolute Maximum Rating conditions for extended periods may affect device reliability.

Recommended DC Operating Conditions (TA = -40 to +85°C)

| Parameter | Symbol | min. | typ. | max. | Unit | Notes |
|--------------------|-----------|--------------------|------|-------------------------|------|-------|
| Supply voltage | VDD, VDDQ | 3.0 | 3.3 | 3.6 | V | |
| | VSS | 0 | 0 | 0 | V | |
| Input high voltage | VIH | 2.0 | — | VDD + 0.3 ^{*1} | V | |
| Input low voltage | VIL | -0.3 ^{*2} | — | 0.8 | V | |

Notes: 1. VIH (max.) = VDDQ + 1.5V (pulse width ≤ 5ns).

2. VIL (min.) = -1.5V (pulse width ≤ 5ns).

DC Characteristics 1 (TA = -40 to +85°C, VDD, VDDQ = 3.3V±0.3V, VSS, VSSQ = 0V)

| Parameter | Symbol | Grade | max. | Unit | Test condition | Notes |
|--|--------|-------|------|------|--|-------|
| /CAS latency | | | | | | |
| Operating current (CL = 2) | IDD1 | | 105 | mA | Burst length = 1 tRC ≥ tRC (min.) | 1 |
| (CL = 3) | IDD1 | | 105 | mA | IO = 0mA One bank active | |
| Standby current in power down | IDD2P | | 1 | mA | CKE ≤ VIL (max.) tCK = 15ns | |
| Standby current in power down (input signal stable) | IDD2PS | | 1 | mA | CKE ≤ VIL (max.) tCK = ∞ | |
| Standby current in non power down | IDD2N | | 20 | mA | CKE ≥ VIH (min.) tCK = 15ns CS ≥ VIH (min.) Input signals are changed one time during 30ns | |
| Standby current in non power down (input signal stable) | IDD2NS | | 8 | mA | CKE ≥ VIH (min.) tCK = ∞ | |
| Active standby current in power down | IDD3P | | 5 | mA | CKE ≤ VIL (max.) tCK = 15ns | |
| Active standby current in power down (input signal stable) | IDD3PS | | 4 | mA | CKE ≤ VIL (max.), tCK = ∞ | |
| Active standby current in non power down | IDD3N | | 25 | mA | CKE ≥ VIH (min.), tCK = 15 ns, /CS ≥ VIH (min.), Input signals are changed one time during 30ns. | |
| Active standby current in non power down (input signal stable) | IDD3NS | | 15 | mA | CKE ≥ VIH (min.), tCK = ∞, | |
| Burst operating current | IDD4 | | 180 | mA | tCK ≥ tCK (min.), IO = 0mA, All banks active | 2 |
| Refresh current | IDD5 | | 210 | mA | tRC ≥ tRC (min.) | 3 |
| Self refresh current | IDD6 | | 0.8 | mA | VIH ≥ VDD - 0.2V, VIL ≤ GND + 0.2V | |

- Notes: 1. IDD1 depends on output loading and cycle rates. Specified values are obtained with the output open. In addition to this, IDD1 is measured condition that addresses are changed only one time during tCK (min.).
2. IDD4 depends on output loading and cycle rates. Specified values are obtained with the output open. In addition to this, IDD4 is measured condition that addresses are changed only one time during tCK (min.).
3. IDD5 is measured on condition that addresses are changed only one time during tCK (min.).

DC Characteristics 2 (TA = -40 to +85°C, VDD, VDDQ = 3.3V±0.3V, VSS, VSSQ = 0V)

| Parameter | Symbol | min. | max. | Unit | Test condition | Notes |
|------------------------|--------|------|------|------|---|-------|
| Input leakage current | ILI | -1.0 | 1.0 | μA | 0 = VIN = VDDQ, VDDQ = VDD, All other pins not under test = 0V | |
| Output leakage current | ILO | -1.5 | 1.5 | μA | 0 = VIN = VDDQ DOUT is disabled | |
| Output high voltage | VOH | 2.4 | — | V | IOH = -2 mA | |
| Output low voltage | VOL | — | 0.4 | V | IOL = 2 mA | |

Pin Capacitance (TA = 25°C, f = 1MHz)

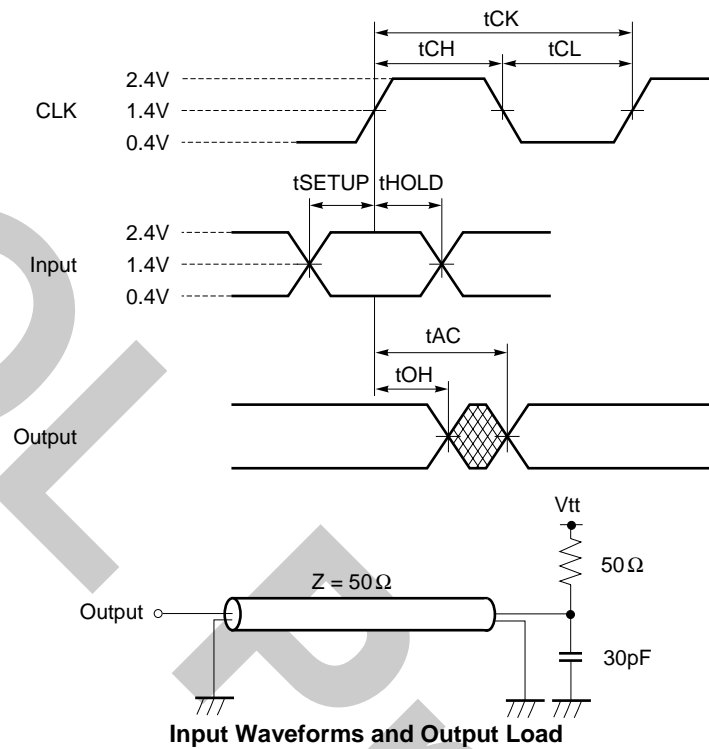
| Parameter | Symbol | Pins | min. | typ. | max. | Unit | Notes |
|-------------------------------|--------|-------------------------------------|------|------|------|------|-------|
| Input capacitance | CI1 | Address | 2.5 | — | 4.0 | pF | |
| | CI2 | CLK, CKE, /CS, /RAS, /CAS, /WE, DQM | 2.5 | — | 4.0 | pF | |
| Data input/output capacitance | CI/O | DQ | 4.0 | — | 6.5 | pF | |

AC Characteristics (TA = -40 to +85°C, VDD, VDDQ = 3.3V±0.3V, VSS, VSSQ = 0V)

| Parameter | Symbol | -75 | | Unit | Notes |
|--|--------|-------------|--------|------|-------|
| | | min. | max. | | |
| System clock cycle time (CL = 2) | tCK | 10 | — | ns | |
| (CL = 3) | tCK | 7.5 | — | ns | |
| CLK high pulse width | tCH | 2.5 | — | ns | |
| CLK low pulse width | tCL | 2.5 | — | ns | |
| Access time from CLK | tAC | — | 5.4 | ns | |
| Data-out hold time | tOH | 2 | — | ns | |
| CLK to Data-out low impedance | tLZ | 0 | — | ns | |
| CLK to Data-out high impedance | tHZ | 2 | 5.4 | ns | |
| Input setup time | tSI | 1.5 | — | ns | |
| Input hold time | tHI | 0.8 | — | ns | |
| CKE setup time (Power down exit) | tCKSP | 1.5 | — | ns | |
| ACT to REF/ACT command period (operation) | tRC | 67.5 | — | ns | |
| (refresh) | tRC | 67.5 | — | ns | |
| Active to Precharge command period | tRAS | 45 | 120000 | ns | |
| Active command to column command (same bank) | tRCD | 20 | — | ns | |
| Precharge to active command period | tRP | 20 | — | ns | |
| Write recovery or data-in to precharge lead time | tDPL | 15 | — | ns | |
| Last data into active latency | tDAL | 2CLK + 20ns | — | | |
| Active (a) to Active (b) command period | tRRD | 15 | — | ns | |
| Mode register set cycle time | tRSC | 2 | — | CLK | |
| Transition time (rise and fall) | tT | 0.5 | 30 | ns | |
| Refresh period (4096 refresh cycles) | tREF | — | 64 | ms | |

Test Conditions

- AC high level input voltage / low level input voltage: 2.4V / 0.4V
- Input timing measurement reference level: 1.4V
- Transition time (Input rise and fall time): 1ns
- Output timing measurement reference level: 1.4V
- Termination voltage (V_{tt}): 1.4V



Relationship Between Frequency and Minimum Latency

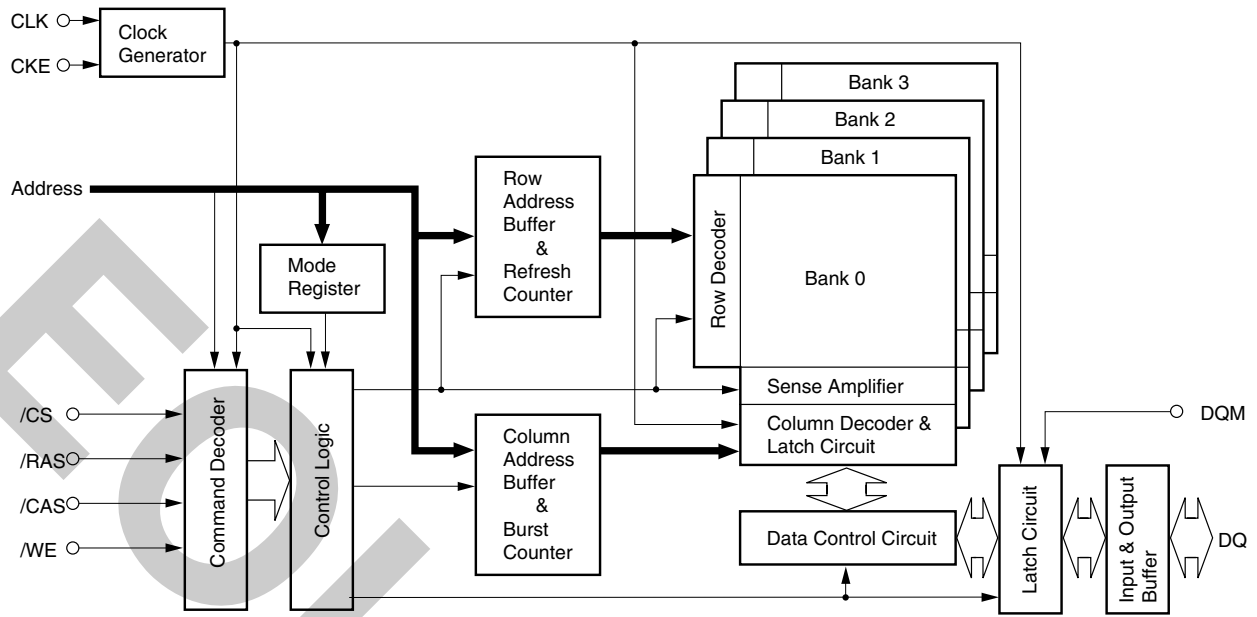
| Parameter | Symbol | -75 | | Unit | Notes |
|--|--------|-----|-----|------|----------------|
| | | 133 | 100 | | |
| Frequency (MHz) | | | | | |
| tCK (ns) | Symbol | 7.5 | 10 | Unit | Notes |
| Active command to column command (same bank) | /RCD | 3 | 2 | tCK | 1 |
| Active command to active command (same bank) | /RC | 9 | 7 | tCK | 1 |
| Active command to precharge command (same bank) | /RAS | 6 | 5 | tCK | 1 |
| Precharge command to active command (same bank) | /RP | 3 | 2 | tCK | 1 |
| Write recovery or data-in to precharge command (same bank) | /DPL | 2 | 2 | tCK | 1 |
| Active command to active command (different bank) | /RRD | 2 | 2 | tCK | 1 |
| Self refresh exit time | /SREX | 1 | 1 | tCK | 2 |
| Last data in to active command (Auto precharge, same bank) | /DAL | 5 | 4 | tCK | = [/DPL + /RP] |
| Self refresh exit to command input | /SEC | 9 | 7 | tCK | = [/RC] 3 |
| Precharge command to high impedance (CL = 2) | /HZP | — | 2 | tCK | |
| (CL = 3) | /HZP | 3 | 3 | tCK | |
| Last data out to active command (auto precharge) (same bank) | /APR | 1 | 1 | tCK | |
| Last data out to precharge (early precharge) (CL = 2) | /EP | — | -1 | tCK | |
| (CL = 3) | /EP | -2 | -2 | tCK | |
| Column command to column command | /CCD | 1 | 1 | tCK | |
| Write command to data in latency | /WCD | 0 | 0 | tCK | |
| DQM to data in | /DID | 0 | 0 | tCK | |
| DQM to data out | /DOD | 2 | 2 | tCK | |
| CKE to CLK disable | /CLE | 1 | 1 | tCK | |
| Register set to active command | /MRD | 2 | 2 | tCK | |
| /CS to command disable | /CDD | 0 | 0 | tCK | |
| Power down exit to command input | /PEC | 1 | 1 | tCK | |

Notes: 1. /RCD to /RRD are recommended value.

2. Be valid [DESL] or [NOP] at next command of self refresh exit.

3. Except [DESL] and [NOP]

Block Diagram



Pin Function

CLK (input pin)

CLK is the master clock input. Other inputs signals are referenced to the CLK rising edge.

CKE (input pins)

CKE determine validity of the next CLK (clock). If CKE is high, the next CLK rising edge is valid; otherwise it is invalid. If the CLK rising edge is invalid, the internal clock is not issued and the Synchronous DRAM suspends operation.

When the Synchronous DRAM is not in burst mode and CKE is negated, the device enters power down mode. During power down mode, CKE must remain low.

/CS (input pins)

/CS low starts the command input cycle. When /CS is high, commands are ignored but operations continue.

/RAS, /CAS, and /WE (input pins)

/RAS, /CAS and /WE have the same symbols on conventional DRAM but different functions. For details, refer to the command table.

A0 to A11 (input pins)

Row Address is determined by A0 to A11 at the CLK (clock) rising edge in the active command cycle.

Column Address is determined by A0 to 7 at the CLK rising edge in the read or write command cycle.

A10 defines the precharge mode. When A10 is high in the precharge command cycle, all banks are precharged; when A10 is low, only the bank selected by BA0 and BA1 is precharged.

When A10 is high in read or write command cycle, the precharge starts automatically after the burst access.

BA0 and BA1 (input pin)

BA0 and BA1 are bank select signal. (See Bank Select Signal Table)

[Bank Select Signal Table]

| | BA0 | BA1 |
|--------|-----|-----|
| Bank 0 | L | L |
| Bank 1 | H | L |
| Bank 2 | L | H |
| Bank 3 | H | H |

Remark: H: VIH. L: VIL.

DQM (input pins)

DQM controls I/O buffers. DQM0 controls DQ0 to 7, DQM1 controls DQ8 to DQ15, DQM2 controls DQ16 to DQ23, DQM3 controls DQ24 to DQ31. In read mode, DQM controls the output buffers like a conventional /OE pin. DQM high and DQM low turn the output buffers off and on, respectively. The DQM latency for the read is two clocks. In write mode, DQM controls the word mask. Input data is written to the memory cell if DQM is low but not if DQM is high. The DQM latency for the write is zero.

DQ0 to DQ31 (input/output pins)

DQ pins have the same function as I/O pins on a conventional DRAM.

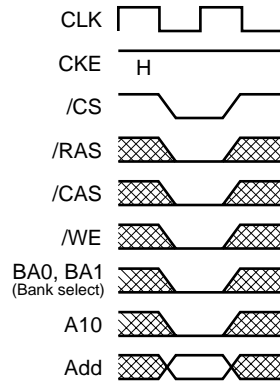
VDD, VSS, VDDQ, VSSQ (Power supply)

VDD and VSS are power supply pins for internal circuits. VDDQ and VSSQ are power supply pins for the output buffers.

Command Operation

Mode register set command (/CS, /RAS, /CAS, /WE)

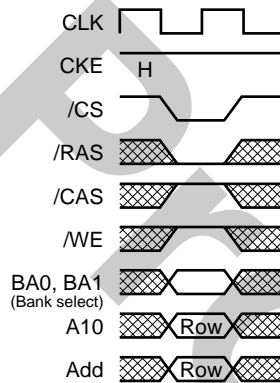
The Synchronous DRAM has a mode register that defines how the device operates. In this command, A0 through A11 are the data input pins. After power on, the mode register set command must be executed to initialize the device. The mode register can be set only when all banks are in idle state. During 2CLK (tRSC) following this command, the Synchronous DRAM cannot accept any other commands.



Mode Register Set Command

Activate command (/CS, /RAS = Low, /CAS, /WE = High)

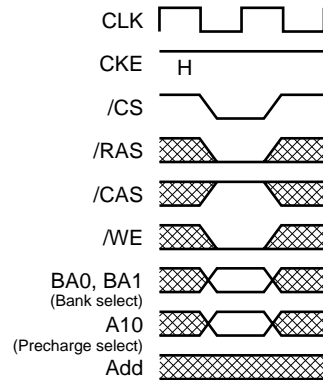
The Synchronous DRAM has four banks, each with 4,096 rows. This command activates the bank selected by BA0 and BA1 and a row address selected by A0 through A11. This command corresponds to a conventional DRAM's /RAS falling.



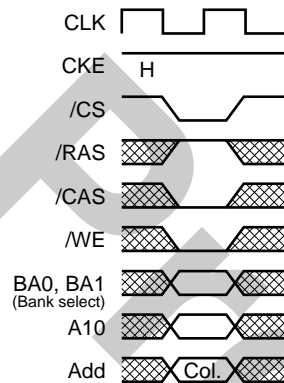
Row Address Strobe and Bank Activate Command

Precharge command (/CS, /RAS, /WE = Low, /CAS = High)

This command begins precharge operation of the bank selected by BA0 and BA1. When A10 is High, all banks are precharged, regardless of BA0 and BA1. When A10 is Low, only the bank selected by BA0 and BA1 is precharged. After this command, the Synchronous DRAM can't accept the activate command to the precharging bank during tRP (precharge to activate command period). This command corresponds to a conventional DRAM's /RAS rising.

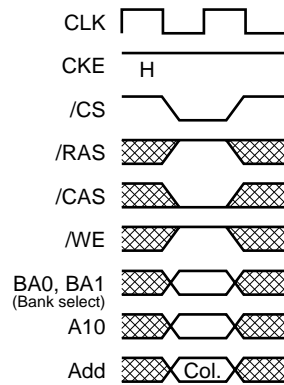
**Precharge Command****Write command (/CS, /CAS, /WE = Low, /RAS = High)**

If the mode register is in the burst write mode, this command sets the burst start address given by the column address to begin the burst write operation. The first write data in burst mode can input with this command with subsequent data on following clocks.

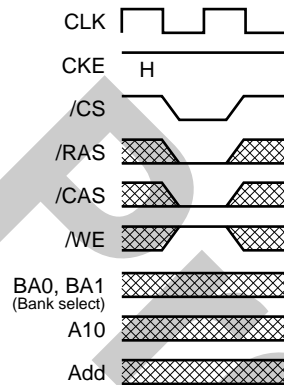
**Column Address and Write Command**

Read command (/CS, /CAS = Low, /RAS, /WE = High)

Read data is available after /CAS latency requirements have been met. This command sets the burst start address given by the column address.

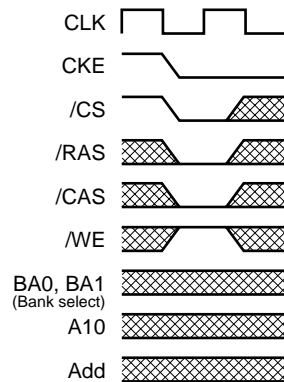
**Column Address and Read Command****CBR (auto) refresh command (/CS, /RAS, /CAS = Low, /WE, CKE = High)**

This command is a request to begin the CBR (auto) refresh operation. The refresh address is generated internally. Before executing CBR (auto) refresh, all banks must be precharged. After this cycle, all banks will be in the idle (precharged) state and ready for a row activate command. During tRC period (from refresh command to refresh or activate command), the Synchronous DRAM cannot accept any other command.

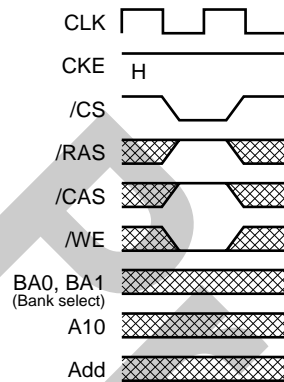
**CBR (auto) Refresh Command**

Self refresh entry command (/CS, /RAS, /CAS, CKE = Low, /WE = High)

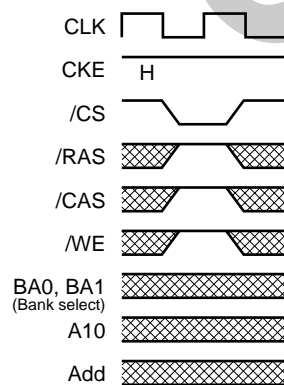
After the command execution, self refresh operation continues while CKE remains low. When CKE goes high, the Synchronous DRAM exits the self refresh mode. During self refresh mode, refresh interval and refresh operation are performed internally, so there is no need for external control. Before executing self refresh, all banks must be precharged.

**Self Refresh Entry Command****Burst stop command (/CS = /WE = Low, /RAS, /CAS = High)**

This command can stop the current burst operation.

**Burst Stop Command in Full Page Mode****No operation (/CS = Low, /RAS, /CAS, /WE = High)**

This command is not an execution command. No operations begin or terminate by this command.

**No Operation**

Truth Table

Command Truth Table

| Function | Symbol | CKE | | /CS | /RAS | /CAS | /WE | BA0, | | A9 - A0, |
|---------------------------|--------|-------|---|-----|------|------|-----|------|-----|----------|
| | | n - 1 | n | | | | | BA1 | A10 | A11 |
| Device deselect | DESL | H | x | H | x | x | x | x | x | x |
| No operation | NOP | H | x | L | H | H | H | x | x | x |
| Burst stop | BST | H | x | L | H | H | L | x | x | x |
| Read | READ | H | x | L | H | L | H | V | L | V |
| Read with auto precharge | READA | H | x | L | H | L | H | V | H | V |
| Write | WRIT | H | x | L | H | L | L | V | L | V |
| Write with auto precharge | WRITA | H | x | L | H | L | L | V | H | V |
| Bank activate | ACT | H | x | L | L | H | H | V | V | V |
| Precharge select bank | PRE | H | x | L | L | H | L | V | L | x |
| Precharge all banks | PALL | H | x | L | L | H | L | x | H | x |
| Mode register set | MRS | H | x | L | L | L | L | L | L | V |

Remark: H: VIH. L: VIL. x: VIH or VIL, V = Valid data

DQM Truth Table

| Function | Symbol | CKE | | DQM | | | |
|---|--------|-------|---|-----|---|---|---|
| | | n - 1 | n | 0 | 1 | 2 | 3 |
| Data write / output enable | ENB | H | x | L | L | L | L |
| Data mask / output disable | MASK | H | x | H | H | H | H |
| DQ0 to DQ7 write enable/output enable | ENB0 | H | x | L | x | x | x |
| DQ8 to DQ15 write enable/output enable | ENB1 | H | x | x | L | x | x |
| DQ16 to DQ23 write enable/output enable | ENB2 | H | x | x | x | L | x |
| DQ24 to DQ31 write enable/output enable | ENB3 | H | x | x | x | x | L |
| DQ0 to DQ7 write inhibit/output disable | MASK0 | H | x | H | x | x | x |
| DQ8 to DQ15 write inhibit/output disable | MASK 1 | H | x | x | H | x | x |
| DQ16 to DQ23 write inhibit/output disable | MASK 2 | H | x | x | x | H | x |
| DQ24 to DQ31 write inhibit/output disable | MASK 3 | H | x | x | x | x | H |

Remark: H: VIH. L: VIL. x: VIH or VIL

CKE Truth Table

| Current state | Function | Symbol | CKE | | | | | Address | |
|---------------|----------------------------|--------|-------|---|-----|------|------|---------|-----|
| | | | n - 1 | n | /CS | /RAS | /CAS | | /WE |
| Activating | Clock suspend mode entry | | H | L | x | x | x | x | x |
| Any | Clock suspend mode | | L | L | x | x | x | x | x |
| Clock suspend | Clock suspend mode exit | | L | H | x | x | x | x | x |
| Idle | CBR (auto) refresh command | REF | H | H | L | L | L | H | x |
| Idle | Self refresh entry | SELF | H | L | L | L | L | H | x |
| Self refresh | Self refresh exit | | L | H | L | H | H | H | x |
| | | | L | H | H | x | x | x | x |
| Idle | Power down entry | | H | L | L | H | H | H | x |
| | | | H | L | H | x | x | x | x |
| Power down | Power down exit | | L | H | H | x | x | x | x |
| | | | L | H | L | H | H | H | x |

Remark: H: VIH. L: VIL. x: VIH or VIL

Function Truth Table*1

| Current state | /CS | /RAS | /CAS | /WE | Address | Command | Operation | Notes |
|---------------|-----|------|------|--------|-------------|------------|--|-------|
| Idle | H | x | x | x | x | DESL | Nop or power down | 2 |
| | L | H | H | x | x | NOP or BST | Nop or power down | 2 |
| | L | H | L | H | BA, CA, A10 | READ/READA | ILLEGAL | 3 |
| | L | H | L | L | BA, CA, A10 | WRIT/WRITA | ILLEGAL | 3 |
| | L | L | H | H | BA, RA | ACT | Row activating | |
| | L | L | H | L | BA, A10 | PRE/PALL | Nop | |
| | L | L | L | H | x | REF/SELF | CBR (auto) refresh or self refresh | 4 |
| | L | L | L | L | OPCODE | MRS | Mode register accessing | |
| Row active | H | x | x | x | x | DESL | Nop | |
| | L | H | H | x | x | NOP or BST | Nop | |
| | L | H | L | H | BA, CA, A10 | READ/READA | Begin read: Determine AP | 5 |
| | L | H | L | L | BA, CA, A10 | WRIT/WRITA | Begin write: Determine AP | 5 |
| | L | L | H | H | BA, RA | ACT | ILLEGAL | 3 |
| | L | L | H | L | BA, A10 | PRE/PALL | Precharge | 6 |
| | L | L | L | H | x | REF/SELF | ILLEGAL | |
| | L | L | L | L | OPCODE | MRS | ILLEGAL | |
| Read | H | x | x | x | x | DESL | Continue burst to end → Row active | |
| | L | H | H | H | x | NOP | Continue burst to end → Row active | |
| | L | H | H | L | x | BST | Burst stop → Row active | |
| | L | H | L | H | BA, CA, A10 | READ/READA | Terminate burst, new read: Determine AP | 7 |
| | L | H | L | L | BA, CA, A10 | WRIT/WRITA | Terminate burst, begin write: Determine AP | 7, 8 |
| | L | L | H | H | BA, RA | ACT | ILLEGAL | 3 |
| | L | L | H | L | BA, A10 | PRE/PALL | Terminate burst, Precharging | |
| | L | L | L | H | x | REF/SELF | ILLEGAL | |
| Write | L | L | L | L | OPCODE | MRS | ILLEGAL | |
| | H | x | x | x | x | DESL | Continue burst to end → Write recovering | |
| | L | H | H | H | x | NOP | Continue burst to end → Write recovering | |
| | L | H | H | L | x | BST | Burst stop → Row active | |
| | L | H | L | H | BA, CA, A10 | READ/READA | Terminate burst, start read : Determine AP | 7, 8 |
| | L | H | L | L | BA, CA, A10 | WRIT/WRITA | Terminate burst, new write : Determine AP | 7 |
| | L | L | H | H | BA, RA | ACT | ILLEGAL | 3 |
| | L | L | H | L | BA, A10 | PRE/PALL | Terminate burst, Precharging | 9 |
| L | L | L | H | x | REF/SELF | ILLEGAL | | |
| L | L | L | L | OPCODE | MRS | ILLEGAL | | |

| Current state | /CS | /RAS | /CAS | /WE | Address | Command | Operation | Notes |
|---------------------------|-----|------|------|-----|-------------|------------|--|-------|
| Read with auto precharge | H | x | x | x | x | DESL | Continue burst to end → Precharging | |
| | L | H | H | H | x | NOP | Continue burst to end → Precharging | |
| | L | H | H | L | x | BST | ILLEGAL | |
| | L | H | L | H | BA, CA, A10 | READ/READA | ILLEGAL | 3 |
| | L | H | L | L | BA, CA, A10 | WRIT/WRITA | ILLEGAL | 3 |
| | L | L | H | H | BA, RA | ACT | ILLEGAL | 3 |
| | L | L | H | L | BA, A10 | PRE/PALL | ILLEGAL | 3 |
| | L | L | L | H | x | REF/SELF | ILLEGAL | |
| | L | L | L | L | OPCODE | MRS | ILLEGAL | |
| Write with auto precharge | H | x | x | x | x | DESL | Continue burst to end → Write recovering with auto precharge | |
| | L | H | H | H | x | NOP | Continue burst to end → Write recovering with auto precharge | |
| | L | H | H | L | x | BST | ILLEGAL | |
| | L | H | L | H | BA, CA, A10 | READ/READA | ILLEGAL | 3 |
| | L | H | L | L | BA, CA, A10 | WRIT/WRITA | ILLEGAL | 3 |
| | L | L | H | H | BA, RA | ACT | ILLEGAL | 3 |
| | L | L | H | L | BA, A10 | PRE/PALL | ILLEGAL | 3 |
| | L | L | L | H | x | REF/SELF | ILLEGAL | |
| | L | L | L | L | OPCODE | MRS | ILLEGAL | |
| Precharging | H | x | x | x | x | DESL | Nop → Enter idle after tRP | |
| | L | H | H | H | x | NOP | Nop → Enter idle after tRP | |
| | L | H | H | L | x | BST | ILLEGAL | |
| | L | H | L | H | BA, CA, A10 | READ/READA | ILLEGAL | 3 |
| | L | H | L | L | BA, CA, A10 | WRIT/WRITA | ILLEGAL | 3 |
| | L | L | H | H | BA, RA | ACT | ILLEGAL | 3 |
| | L | L | H | L | BA, A10 | PRE/PALL | Nop → Enter idle after tRP | |
| | L | L | L | H | x | REF/SELF | ILLEGAL | |
| | L | L | L | L | OPCODE | MRS | ILLEGAL | |
| Row activating | H | x | x | x | x | DESL | Nop → Enter bank active after tRCD | |
| | L | H | H | H | x | NOP | Nop → Enter bank active after tRCD | |
| | L | H | H | L | x | BST | ILLEGAL | |
| | L | H | L | H | BA, CA, A10 | READ/READA | ILLEGAL | 3 |
| | L | H | L | L | BA, CA, A10 | WRIT/WRITA | ILLEGAL | 3 |
| | L | L | H | H | BA, RA | ACT | ILLEGAL | 3, 10 |
| | L | L | H | L | BA, A10 | PRE/PALL | ILLEGAL | 3 |
| | L | L | L | H | x | REF/SELF | ILLEGAL | |
| | L | L | L | L | OPCODE | MRS | ILLEGAL | |

| Current state | /CS | /RAS | /CAS | /WE | Address | Command | Operation | Notes |
|--|-----|------|------|-----|-------------|------------------------------|-----------------------------------|-------|
| Write recovering | H | x | x | x | x | DESL | Nop → Enter row active after tDPL | |
| | L | H | H | H | x | NOP | Nop → Enter row active after tDPL | |
| | L | H | H | L | x | BST | Nop → Enter row active after tDPL | |
| | L | H | L | H | BA, CA, A10 | READ/READA | Start read, Determine AP | 8 |
| | L | H | L | L | BA, CA, A10 | WRIT/WRITA | New write, Determine AP | |
| | L | L | H | H | BA, RA | ACT | ILLEGAL | 3 |
| | L | L | H | L | BA, A10 | PRE/PALL | ILLEGAL | 3 |
| | L | L | L | H | x | REF/SELF | ILLEGAL | |
| Write recovering with auto precharge | L | L | L | L | OPCODE | MRS | ILLEGAL | |
| | H | x | x | x | x | DESL | Nop → Enter precharge after tDPL | |
| | L | H | H | H | x | NOP | Nop → Enter precharge after tDPL | |
| | L | H | H | L | x | BST | Nop → Enter row active after tDPL | |
| | L | H | L | H | BA, CA, A10 | READ/READA | ILLEGAL | |
| | L | H | L | L | BA, CA, A10 | WRIT/WRITA | ILLEGAL | 3, 8 |
| | L | L | H | H | BA, RA | ACT | ILLEGAL | 3 |
| | L | L | H | L | BA, A10 | PRE/PALL | ILLEGAL | 3 |
| Refresh | L | L | L | H | x | REF/SELF | ILLEGAL | |
| | L | L | L | L | OPCODE | MRS | ILLEGAL | |
| | H | x | x | x | x | DESL | Nop → Enter idle after tRC | |
| | L | H | H | H | x | NOP/BST | Nop → Enter idle after tRC | |
| | L | H | H | L | x | READ/READA | ILLEGAL | |
| Mode register accessing | L | H | L | H | x | ACT/PRE/PALL | ILLEGAL | |
| | L | H | L | L | x | REF/SELF/MRS | ILLEGAL | |
| | H | x | x | x | x | DESL | Nop → Enter idle after tRSC | |
| | L | H | H | H | x | NOP | Nop → Enter idle after tRSC | |
| | L | H | H | L | x | BST | ILLEGAL | |
| | L | H | L | H | x | READ/READA | ILLEGAL | |
| | L | L | L | L | x | ACT/PRE/PLL/ REF/SELF/MRS | ILLEGAL | |

Remark: H: VIH. L: VIL. x: VIH or VIL, V = Valid data
BA: Bank Address, CA: Column Address, RA: Row Address

- Notes: 1. All entries assume that CKE was active (High level) during the preceding clock cycle.
2. If all banks are idle, and CKE is inactive (Low level), the Synchronous DRAM will enter Power down mode.
3. Illegal to bank in specified states; Function may be legal in the bank indicated by Bank Address (BA), depending on the state of that bank.
4. If all banks are idle, and CKE is inactive (Low level), the Synchronous DRAM will enter Self refresh mode. All input buffers except CKE will be disabled.
5. Illegal if tRCD is not satisfied.
6. Illegal if tRAS is not satisfied.
7. Must satisfy burst interrupt condition.
8. Must satisfy bus contention, bus turn around, and/or write recovery requirements.
9. Must mask preceding data which don't satisfy tDPL.
10. Illegal if tRRD is not satisfied.

Command Truth Table for CKE

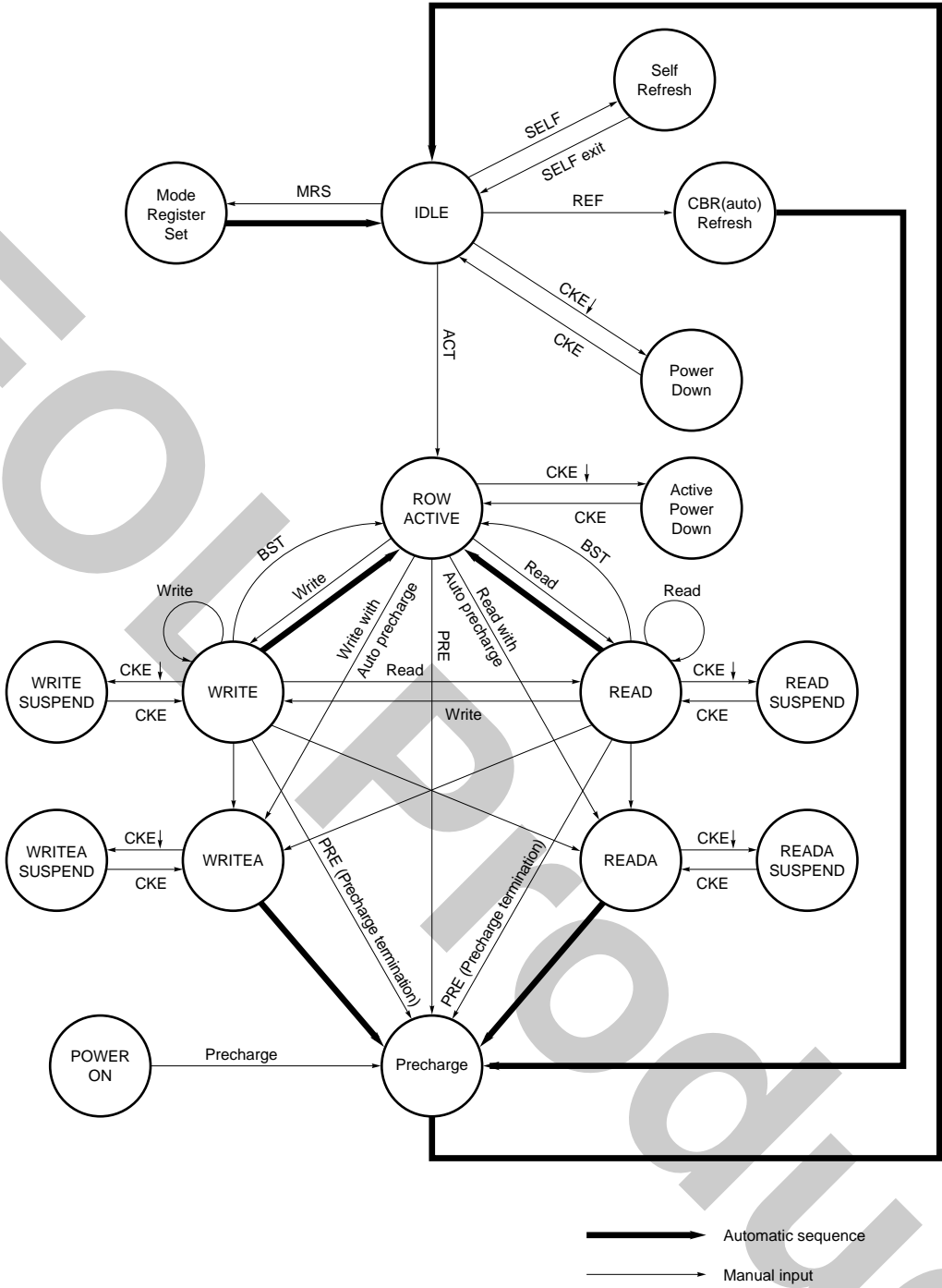
| Current State | CKE | | | | | | | Operation | Notes | |
|-----------------------------------|------------|---|-----|------|------|-----|---------|--|---|---|
| | n - 1 | n | /CS | /RAS | /CAS | /WE | Address | | | |
| Self refresh | H | x | x | x | x | x | x | INVALID, CLK (n - 1) would exit self refresh | | |
| | L | H | H | x | x | x | x | Self refresh recovery | | |
| | L | H | L | H | H | x | x | Self refresh recovery | | |
| | L | H | L | H | L | x | x | ILLEGAL | | |
| | L | H | L | L | x | x | x | ILLEGAL | | |
| | L | L | x | x | x | x | x | Continue self refresh | | |
| Self refresh recovery | H | H | H | x | x | x | x | Idle after tRC | | |
| | H | H | L | H | H | x | x | Idle after tRC | | |
| | H | H | L | H | L | x | x | ILLEGAL | | |
| | H | H | L | L | x | x | x | ILLEGAL | | |
| | H | L | H | x | x | x | x | ILLEGAL | | |
| | H | L | L | H | H | x | x | ILLEGAL | | |
| | H | L | L | H | L | x | x | ILLEGAL | | |
| | H | L | L | L | x | x | x | ILLEGAL | | |
| Power down | H | x | x | x | x | x | | INVALID, CLK (n - 1) would exit power down | | |
| | L | H | H | x | x | x | x | EXIT power down | | |
| | L | H | L | H | H | H | x | EXIT power down | | |
| | L | L | x | x | x | x | x | Continue power down mode | | |
| All banks idle | H | H | H | x | x | x | | Refer to operations in Function Truth Table | | |
| | H | H | L | H | x | x | | Refer to operations in Function Truth Table | | |
| | H | H | L | L | H | x | | Refer to operations in Function Truth Table | | |
| | H | H | L | L | L | H | x | CBR (auto) Refresh | | |
| | H | H | L | L | L | L | OPCODE | Refer to operations in Function Truth Table | | |
| | H | L | H | x | x | x | | Begin power down next cycle | | |
| | H | L | L | H | x | x | | Refer to operations in Function Truth Table | | |
| | H | L | L | L | H | x | | Refer to operations in Function Truth Table | | |
| | H | L | L | L | L | H | x | Self refresh | 1 | |
| | H | L | L | L | L | L | OPCODE | Refer to operations in Function Truth Table | | |
| | L | H | x | x | x | x | x | Exit power down next cycle | | |
| | L | L | x | x | x | x | x | Power down | 1 | |
| | Row active | H | x | x | x | x | x | x | Refer to operations in Function Truth Table | |
| | | L | x | x | x | x | x | x | Clock suspend | 1 |
| Any state other than listed above | H | H | x | x | x | x | | Refer to operations in Function Truth Table | | |
| | H | L | x | x | x | x | x | Begin clock suspend next cycle | 2 | |
| | L | H | x | x | x | x | x | Exit clock suspend next cycle | | |
| | L | L | x | x | x | x | x | Maintain clock suspend | | |

Remark: H = VIH, L = VIL, x = VIH or VIL

Notes: 1. Self refresh can be entered only from the all banks idle state. Power down can be entered only from all banks idle or row active state.

2. Must be legal command as defined in Function Truth Table.

Simplified State Diagram



Programming Mode Registers

The mode register is programmed by the Mode register set command using address bits A11 through A0, BA0 and BA1 as data inputs. The registers retain data until it is re-programmed, or the device loses power.

The mode register has three fields;

Options : A11 through A7, BA0, BA1
/CAS latency : A6 through A4
Wrap type : A3
Burst length : A2 through A0

Following mode register programming, no command can be issued before at least 2 CLK have elapsed.

/CAS Latency

/CAS latency is the most critical of the parameters being set. It tells the device how many clocks must elapse before the data will be available. The value is determined by the frequency of the clock and the speed grade of the device. "Relationship between Frequency and Latency" shows the relationship of /CAS latency to the clock period and the speed grade of the device.

Burst Length

Burst Length is the number of words that will be output or input in a read or write cycle. After a read burst is completed, the output bus will become High-Z. The burst length is programmable as 1, 2, 4, 8 or full page.

Wrap Type (Burst Sequence)

The wrap type specifies the order in which the burst data will be addressed. This order is programmable as either "Sequential" or "Interleave". The method chosen will depend on the type of CPU in the system.

Some microprocessor cache systems are optimized for sequential addressing and others for interleaved addressing. "Burst Length Sequence" shows the addressing sequence for each burst length using them. Both sequences support bursts of 1, 2, 4 and 8. Additionally, sequence supports the full page length.

Mode Register

| | | | | | | | | | | | | | |
|-----|-----|-----|-----|----|----|----|----|----|----|----|----|----|----|
| BA0 | BA1 | A11 | A10 | A9 | A8 | A7 | A6 | A5 | A4 | A3 | A2 | A1 | A0 |
| 0 | 0 | 0 | 0 | 0 | 0 | 1 | | | | | | | |

JEDEC Standard Test Set (refresh counter test)

| | | | | | | | | | | | | | |
|-----|-----|-----|-----|----|----|----|--------|----|----|----|----|----|----|
| BA0 | BA1 | A11 | A10 | A9 | A8 | A7 | A6 | A5 | A4 | A3 | A2 | A1 | A0 |
| x | x | x | x | 1 | 0 | 0 | LTMODE | | | WT | | | BL |

Burst Read and Single Write (for Write Through Cache)

| | | | | | | | | | | | | | |
|-----|-----|-----|-----|----|----|----|----|----|----|----|----|----|----|
| BA0 | BA1 | A11 | A10 | A9 | A8 | A7 | A6 | A5 | A4 | A3 | A2 | A1 | A0 |
| | | | | | 1 | 0 | | | | | | | |

Use in future

| | | | | | | | | | | | | | |
|-----|-----|-----|-----|----|----|----|----|----|----|----|----|----|----|
| BA0 | BA1 | A11 | A10 | A9 | A8 | A7 | A6 | A5 | A4 | A3 | A2 | A1 | A0 |
| x | x | x | x | x | 1 | 1 | V | V | V | V | V | V | V |

Vender Specific

V = Valid
x = Don't care

| | | | | | | | | | | | | | |
|-----|-----|-----|-----|----|----|----|--------|----|----|----|----|----|----|
| BA0 | BA1 | A11 | A10 | A9 | A8 | A7 | A6 | A5 | A4 | A3 | A2 | A1 | A0 |
| 0 | 0 | 0 | 0 | 0 | 0 | 0 | LTMODE | | | WT | | | BL |

Mode Register Set

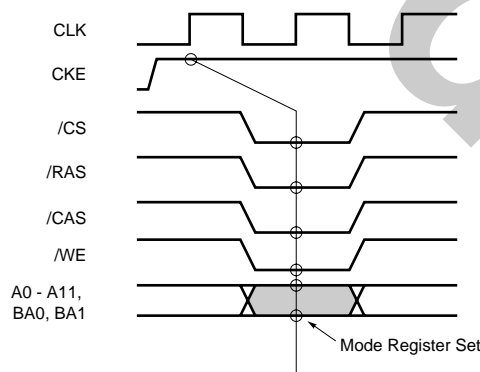
| | | | |
|--------------|---------|-----------|--------|
| Burst length | Bits2-0 | WT = 0 | WT = 1 |
| | 000 | 1 | 1 |
| | 001 | 2 | 2 |
| | 010 | 4 | 4 |
| | 011 | 8 | 8 |
| | 100 | R | R |
| | 101 | R | R |
| | 110 | R | R |
| | 111 | Full page | R |

| | | |
|-----------|---|------------|
| Wrap type | 0 | Sequential |
| | 1 | Interleave |

| | | |
|--------------|---------|--------------|
| Latency mode | Bits6-4 | /CAS latency |
| | 000 | R |
| | 001 | R |
| | 010 | 2 |
| | 011 | 3 |
| | 100 | R |
| | 101 | R |
| | 110 | R |
| 111 | R | |

Remark R : Reserved

Mode Register Set Timing



Burst Length and Sequence**[Burst of Two]**

| Starting address (column address A0, binary) | Sequential addressing sequence (decimal) | Interleave addressing sequence (decimal) |
|---|---|---|
| 0 | 0, 1 | 0, 1 |
| 1 | 1, 0 | 1, 0 |

[Burst of Four]

| Starting address (column address A1 to A0, binary) | Sequential addressing sequence (decimal) | Interleave addressing sequence (decimal) |
|---|---|---|
| 00 | 0, 1, 2, 3 | 0, 1, 2, 3 |
| 01 | 1, 2, 3, 0 | 1, 0, 3, 2 |
| 10 | 2, 3, 0, 1 | 2, 3, 0, 1 |
| 11 | 3, 0, 1, 2 | 3, 2, 1, 0 |

[Burst of Eight]

| Starting address (column address A2 to A0, binary) | Sequential addressing sequence (decimal) | Interleave addressing sequence (decimal) |
|---|---|---|
| 000 | 0, 1, 2, 3, 4, 5, 6, 7 | 0, 1, 2, 3, 4, 5, 6, 7 |
| 001 | 1, 2, 3, 4, 5, 6, 7, 0 | 1, 0, 3, 2, 5, 4, 7, 6 |
| 010 | 2, 3, 4, 5, 6, 7, 0, 1 | 2, 3, 0, 1, 6, 7, 4, 5 |
| 011 | 3, 4, 5, 6, 7, 0, 1, 2 | 3, 2, 1, 0, 7, 6, 5, 4 |
| 100 | 4, 5, 6, 7, 0, 1, 2, 3 | 4, 5, 6, 7, 0, 1, 2, 3 |
| 101 | 5, 6, 7, 0, 1, 2, 3, 4 | 5, 4, 7, 6, 1, 0, 3, 2 |
| 110 | 6, 7, 0, 1, 2, 3, 4, 5 | 6, 7, 4, 5, 2, 3, 0, 1 |
| 111 | 7, 0, 1, 2, 3, 4, 5, 6 | 7, 6, 5, 4, 3, 2, 1, 0 |

Full page burst is an extension of the above tables of sequential addressing, with the length being 256.

Address Bits of Bank-Select and Precharge

Row

| | | | | | | | | | | | | | |
|----|----|----|----|----|----|----|----|----|----|-----|-----|-----|-----|
| A0 | A1 | A2 | A3 | A4 | A5 | A6 | A7 | A8 | A9 | A10 | A11 | BA1 | BA0 |
|----|----|----|----|----|----|----|----|----|----|-----|-----|-----|-----|

(Activate command)

| BA1 | BA0 | Result |
|-----|-----|-------------------------------------|
| 0 | 0 | Select Bank 0 "Activate" command |
| 0 | 1 | Select Bank 1 "Activate" command |
| 1 | 0 | Select Bank 2 "Activate" command |
| 1 | 1 | Select Bank 3 "Activate" command |

(Precharge command)

| | | | | | | | | | | | | | |
|----|----|----|----|----|----|----|----|----|----|-----|-----|-----|-----|
| A0 | A1 | A2 | A3 | A4 | A5 | A6 | A7 | A8 | A9 | A10 | A11 | BA1 | BA0 |
|----|----|----|----|----|----|----|----|----|----|-----|-----|-----|-----|

| A10 | BA1 | BA0 | Result |
|-----|-----|-----|---------------------|
| 0 | 0 | 0 | Precharge Bank 0 |
| 0 | 0 | 1 | Precharge Bank 1 |
| 0 | 1 | 0 | Precharge Bank 2 |
| 0 | 1 | 1 | Precharge Bank 3 |
| 1 | x | x | Precharge All Banks |

x : Don't care

Col.

| | | | | | | | | | | | | | |
|----|----|----|----|----|----|----|----|----|----|-----|---|-----|-----|
| A0 | A1 | A2 | A3 | A4 | A5 | A6 | A7 | A8 | A9 | A10 | x | BA1 | BA0 |
|----|----|----|----|----|----|----|----|----|----|-----|---|-----|-----|

(/CAS strobes)

| | |
|---|---|
| 0 | disables Auto-Precharge (End of Burst) |
| 1 | enables Auto-Precharge (End of Burst) |

| BA1 | BA0 | Result |
|-----|-----|---|
| 0 | 0 | enables Read/Write commands for Bank 0 |
| 0 | 1 | enables Read/Write commands for Bank 1 |
| 1 | 0 | enables Read/Write commands for Bank 2 |
| 1 | 1 | enables Read/Write commands for Bank 3 |

Power-up sequence

Power-up sequence

The SDRAM should be goes on the following sequence with power up.

The CLK, CKE, /CS, DQM and DQ pins keep low till power stabilizes.

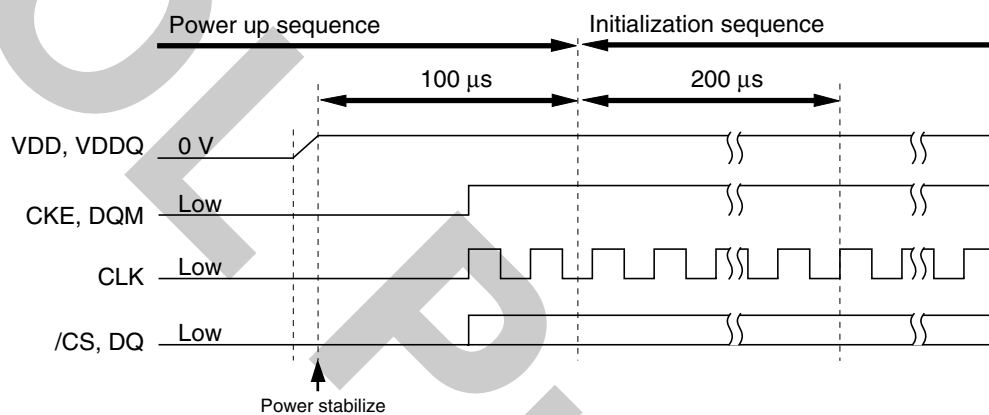
The CLK pin is stabilized within 100 μ s after power stabilizes before the following initialization sequence.

The CKE and DQM is driven to high between power stabilizes and the initialization sequence.

This SDRAM has VDD clamp diodes for CLK, CKE, address, /RAS, /CAS, /WE, /CS, DQM and DQ pins. If these pins go high before power up, the large current flows from these pins to VDD through the diodes.

Initialization sequence

When 200 μ s or more has past after the above power-up sequence, all banks must be precharged using the precharge command (PALL). After tRP delay, set 8 or more auto refresh commands (REF). Set the mode register set command (MRS) to initialize the mode register. We recommend that by keeping DQM and CKE to High, the output buffer becomes High-Z during Initialization sequence, to avoid DQ bus contention on memory system formed with a number of device.



Power-up sequence and Initialization sequence

Operation of the SDRAM

Read/Write Operations

Bank active

Before executing a read or write operation, the corresponding bank and the row address must be activated by the bank active (ACT) command. An interval of t_{RCd} is required between the bank active command input and the following read/write command input.

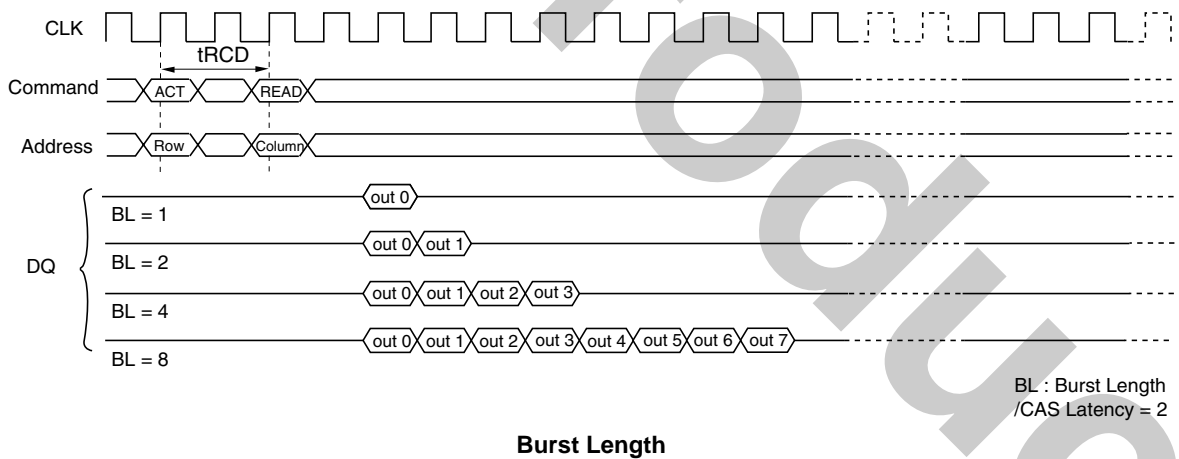
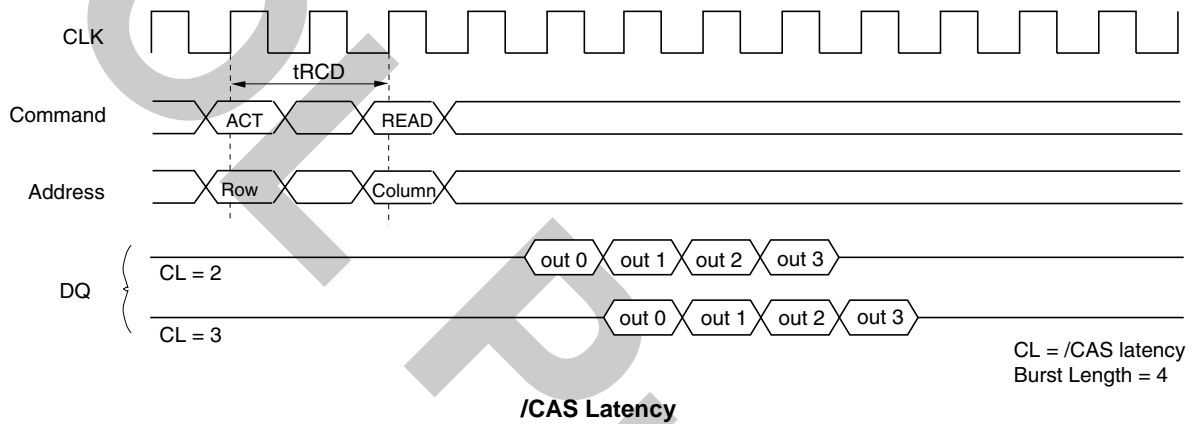
Read operation

A read operation starts when a read command is input. Output buffer becomes Low-Z in the $(/CAS Latency - 1)$ cycle after read command set. The SDRAM can perform a burst read operation.

The burst length can be set to 1, 2, 4 and 8. The start address for a burst read is specified by the column address and the bank select address at the read command set cycle. In a read operation, data output starts after the number of clocks specified by the $/CAS Latency$. The $/CAS Latency$ can be set to 2 or 3.

When the burst length is 1, 2, 4 and 8 the DOUT buffer automatically becomes High-Z at the next clock after the successive burst-length data has been output.

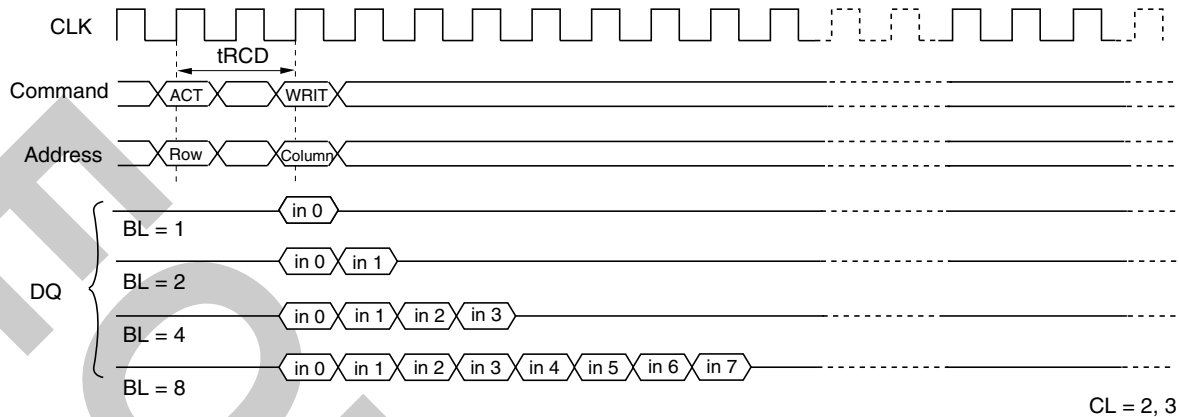
The $/CAS latency$ and burst length must be specified at the mode register.



Write operation

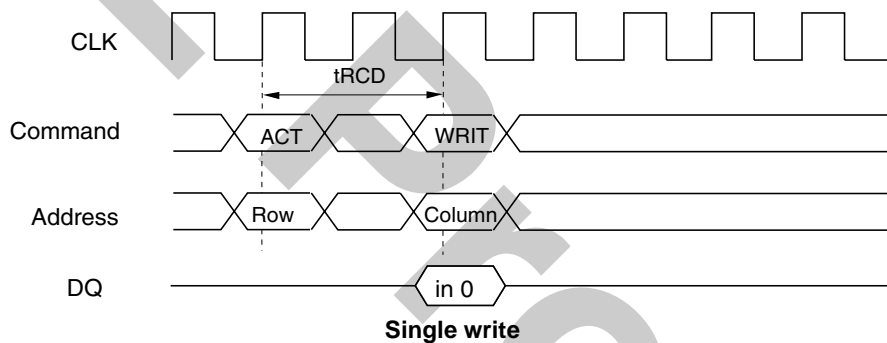
Burst write or single write mode is selected by the OPCODE of the mode register.

1. Burst write: A burst write operation is enabled by setting OPCODE (A9, A8) to (0, 0). A burst write starts in the same clock as a write command set. (The latency of data input is 0 clock.) The burst length can be set to 1, 2, 4 and 8, like burst read operations. The write start address is specified by the column address and the bank select address at the write command set cycle.



Burst write

2. Single write: A single write operation is enabled by setting OPCODE (A9, A8) to (1, 0). In a single write operation, data is only written to the column address and the bank select address specified by the write command set cycle without regard to the burst length setting. (The latency of data input is 0 clock).



Single write

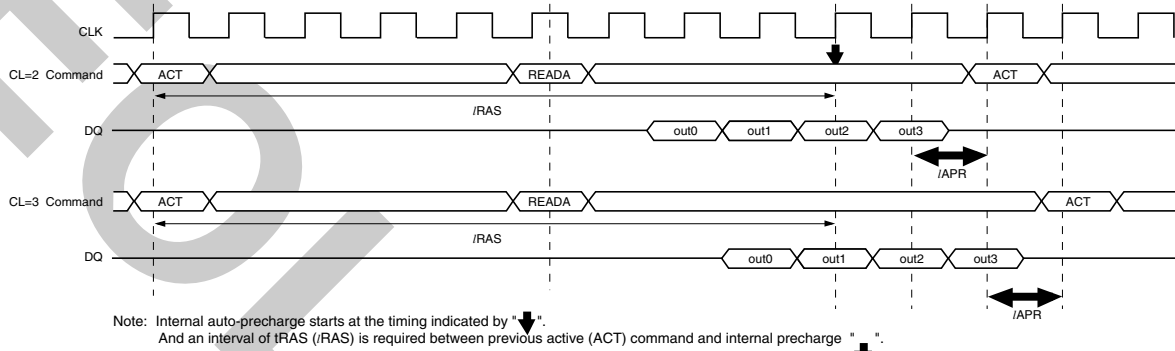
Auto Precharge

Read with auto-precharge

In this operation, since precharge is automatically performed after completing a read operation, a precharge command need not be executed after each read operation. The command executed for the same bank after the execution of this command must be the bank active (ACT) command. In addition, an interval defined by *IAPR* is required before execution of the next command.

[Clock cycle time]

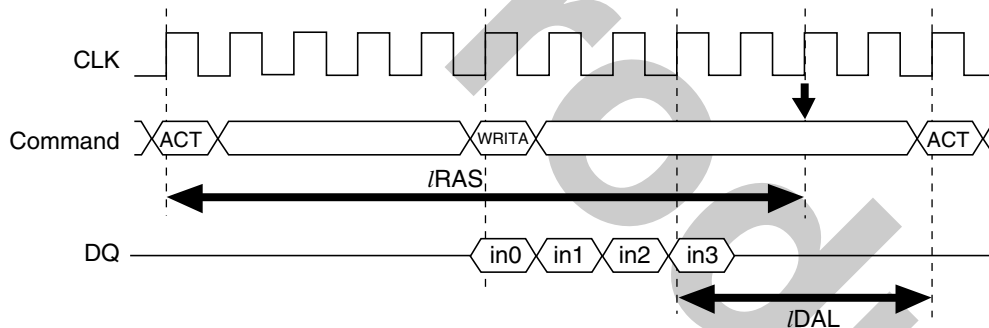
| <i>/CAS</i> latency | Precharge start cycle |
|---------------------|---|
| 3 | 2 cycle before the final data is output |
| 2 | 1 cycle before the final data is output |



Burst Read (BL = 4)

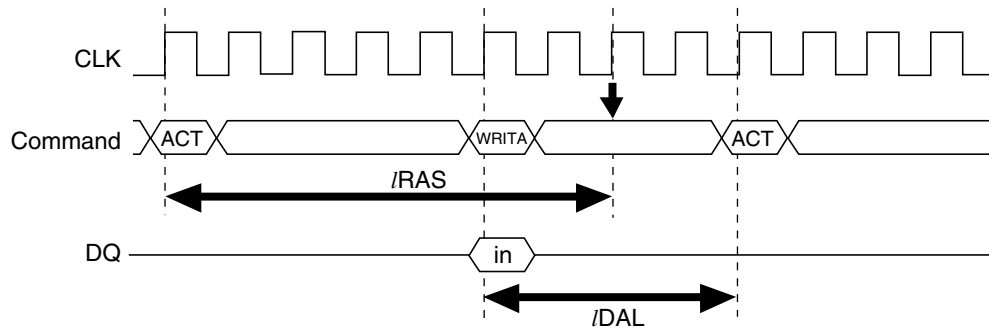
Write with auto-precharge

In this operation, since precharge is automatically performed after completing a burst write or single write operation, a precharge command need not be executed after each write operation. The command executed for the same bank after the execution of this command must be the bank active (ACT) command. In addition, an interval of *IDAL* is required between the final valid data input and input of next command.



Note: Internal auto-precharge starts at the timing indicated by "↓".
and an interval of *tRAS* (*/RAS*) is required between previous active (ACT) command and internal precharge "↓".

Burst Write (BL = 4)

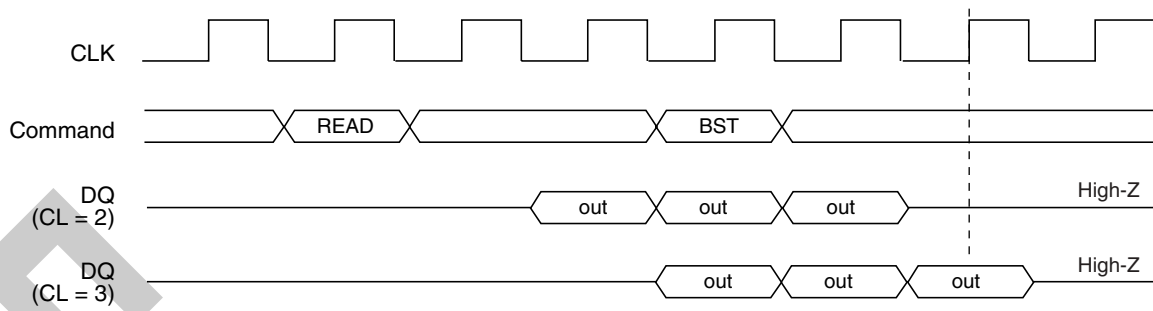


Note: Internal auto-precharge starts at the timing indicated by "↓".
and an interval of t_{RAS} ($/RAS$) is required between previous active (ACT) command and internal precharge "↓".

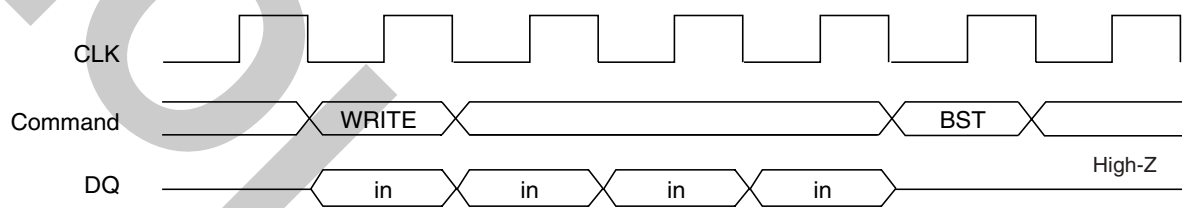
Single Write

Burst Stop Command

During a read cycle, when the burst stop command is issued, the burst read data are terminated and the data bus goes to High-Z after the /CAS latency from the burst stop command.

**Burst Stop at Read**

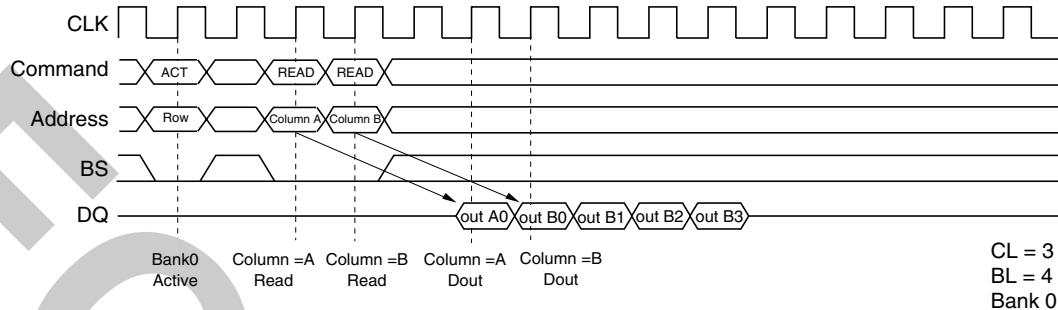
During a write cycle, when the burst stop command is issued, the burst write data are terminated and data bus goes to High-Z at the same clock with the burst stop command.

**Burst Stop at Write**

Command Intervals

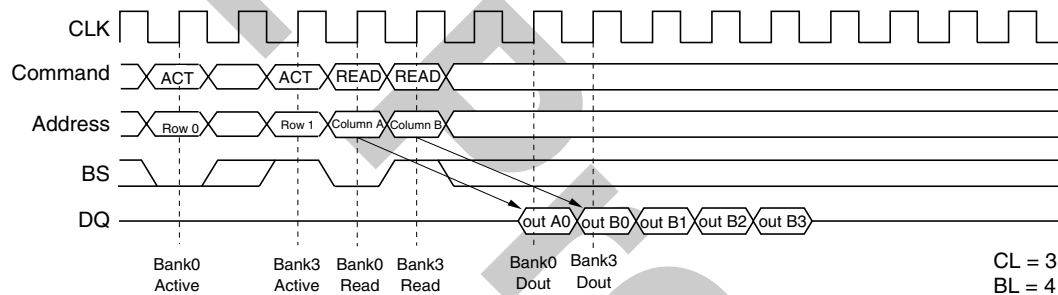
Read command to Read command interval

1. Same bank, same ROW address: When another read command is executed at the same ROW address of the same bank as the preceding read command execution, the second read can be performed after an interval of no less than 1 clock. Even when the first command is a burst read that is not yet finished, the data read by the second command will be valid.



READ to READ Command Interval (same ROW address in same bank)

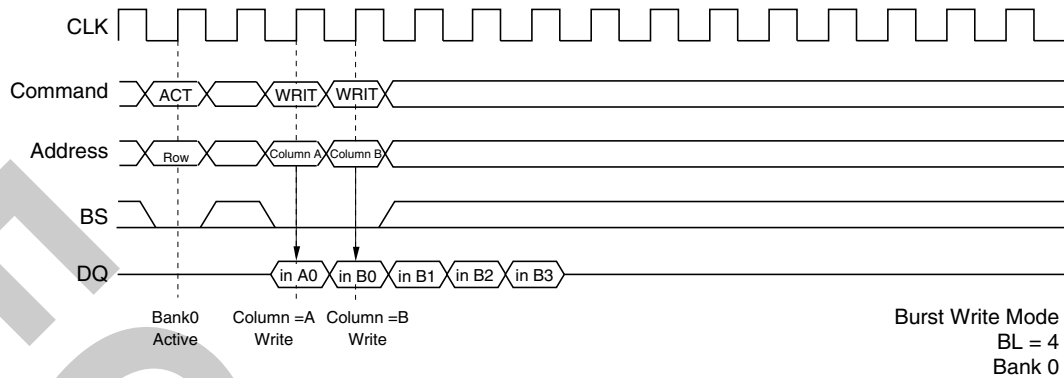
2. Same bank, different ROW address: When the ROW address changes on same bank, consecutive read commands cannot be executed; it is necessary to separate the two read commands with a precharge command and a bank active command.
3. Different bank: When the bank changes, the second read can be performed after an interval of no less than 1 clock, provided that the other bank is in the bank active state. Even when the first command is a burst read that is not yet finished, the data read by the second command will be valid.



READ to READ Command Interval (different bank)

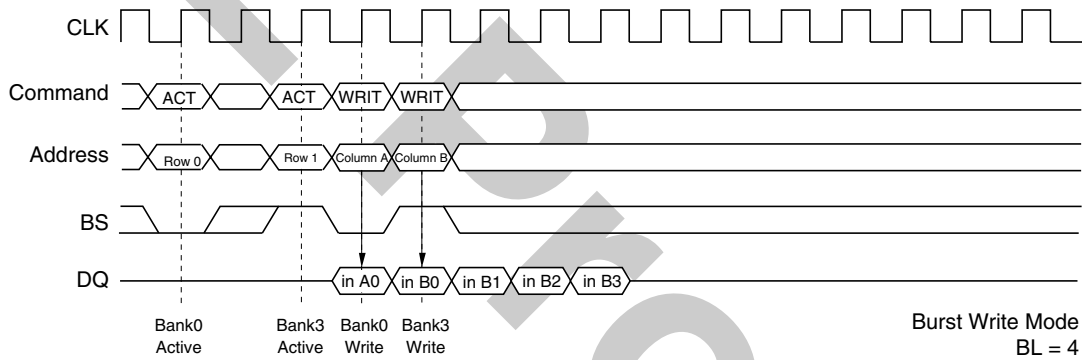
Write command to Write command interval

1. Same bank, same ROW address: When another write command is executed at the same ROW address of the same bank as the preceding write command, the second write can be performed after an interval of no less than 1 clock. In the case of burst writes, the second write command has priority.



WRITE to WRITE Command Interval (same ROW address in same bank)

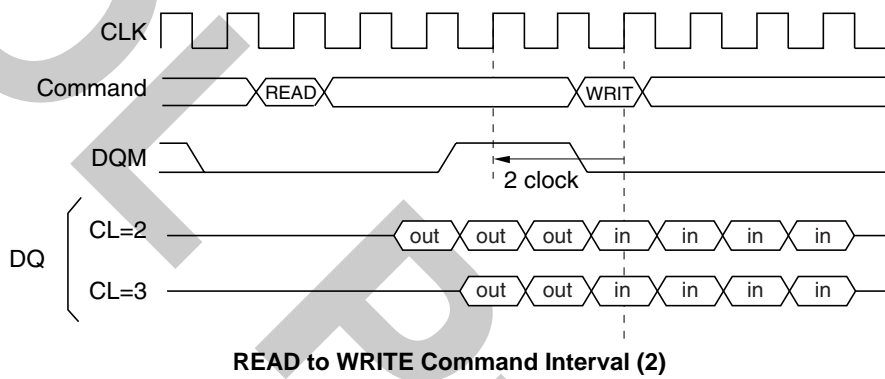
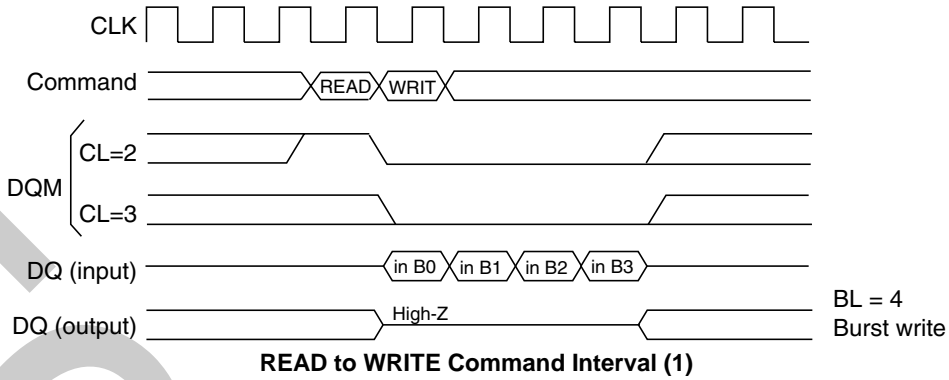
2. Same bank, different ROW address: When the ROW address changes, consecutive write commands cannot be executed; it is necessary to separate the two write commands with a precharge command and a bank active command.
3. Different bank: When the bank changes, the second write can be performed after an interval of no less than 1 clock, provided that the other bank is in the bank active state. In the case of burst write, the second write command has priority.



WRITE to WRITE Command Interval (different bank)

Read command to Write command interval

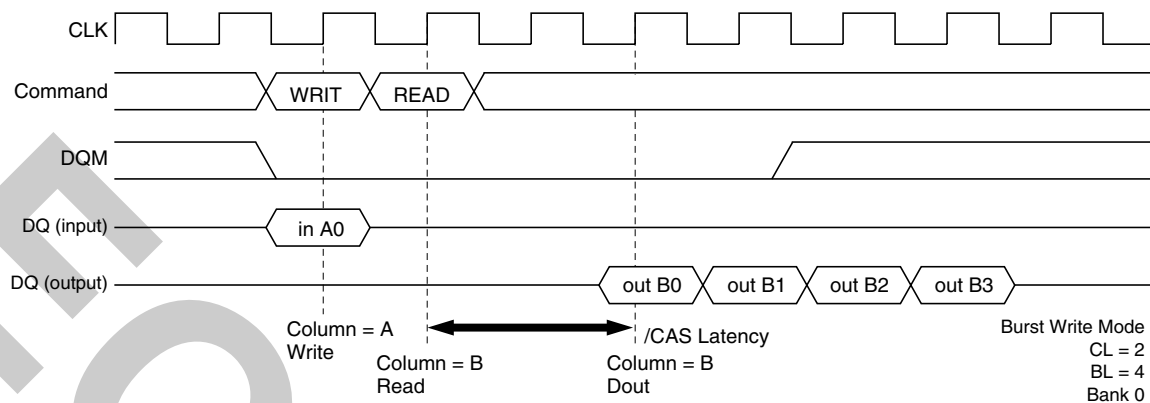
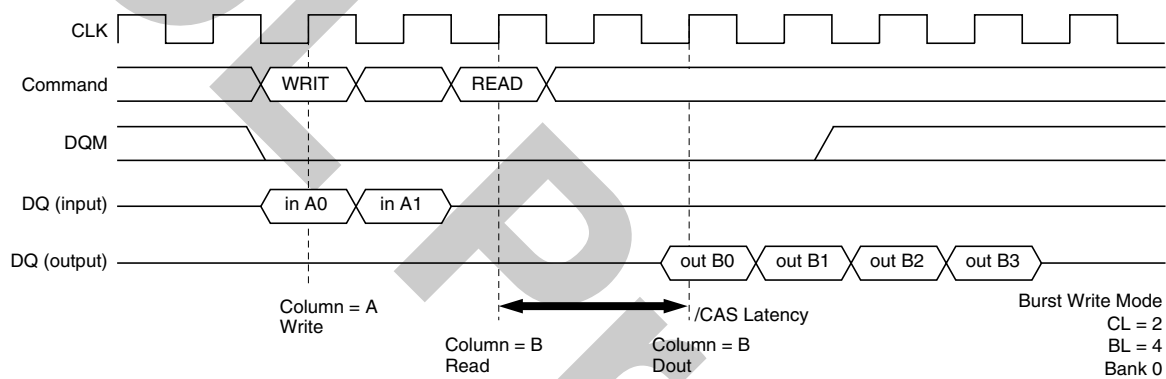
1. Same bank, same ROW address: When the write command is executed at the same ROW address of the same bank as the preceding read command, the write command can be performed after an interval of no less than 1 clock. However, DQM must be set High so that the output buffer becomes High-Z before data input.



2. Same bank, different ROW address: When the ROW address changes, consecutive write commands cannot be executed; it is necessary to separate the two commands with a precharge command and a bank active command.
3. Different bank: When the bank changes, the write command can be performed after an interval of no less than 1 cycle, provided that the other bank is in the bank active state. However, DQM must be set High so that the output buffer becomes High-Z before data input.

Write command to Read command interval:

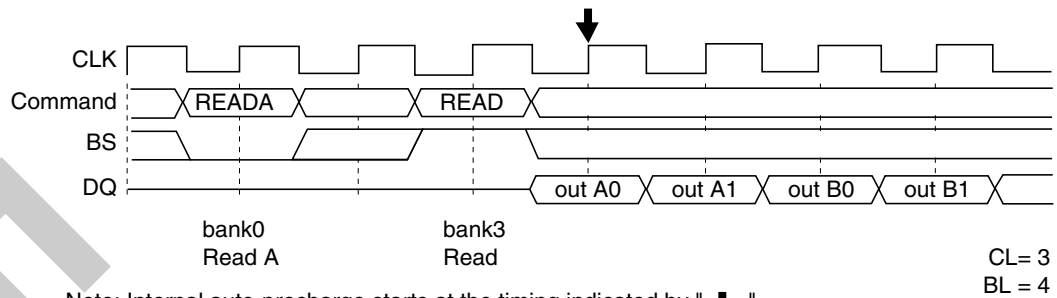
1. Same bank, same ROW address: When the read command is executed at the same ROW address of the same bank as the preceding write command, the read command can be performed after an interval of no less than 1 clock. However, in the case of a burst write, data will continue to be written until one clock before the read command is executed.

**WRITE to READ Command Interval (1)****WRITE to READ Command Interval (2)**

2. Same bank, different ROW address: When the ROW address changes, consecutive read commands cannot be executed; it is necessary to separate the two commands with a precharge command and a bank active command.
3. Different bank: When the bank changes, the read command can be performed after an interval of no less than 1 clock, provided that the other bank is in the bank active state. However, in the case of a burst write, data will continue to be written until one clock before the read command is executed (as in the case of the same bank and the same address).

Read with auto precharge to Read command interval

1. Different bank: When some banks are in the active state, the second read command (another bank) is executed. Even when the first read with auto-precharge is a burst read that is not yet finished, the data read by the second command is valid. The internal auto-precharge of one bank starts at the next clock of the second command.



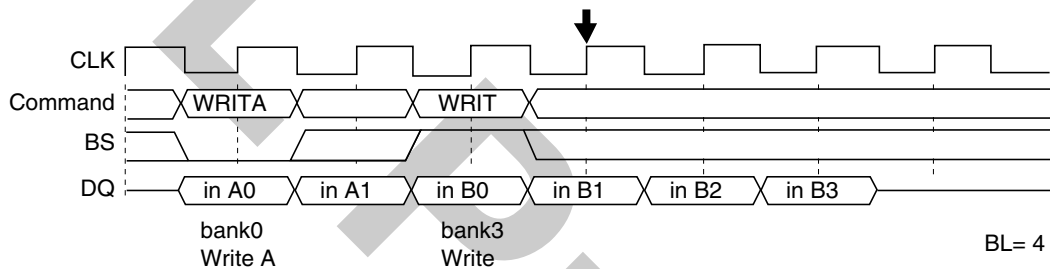
Note: Internal auto-precharge starts at the timing indicated by " ↓ ".

Read with Auto Precharge to Read Command Interval (Different bank)

2. Same bank: The consecutive read command (the same bank) is illegal.

Write with auto precharge to Write command interval

1. Different bank: When some banks are in the active state, the second write command (another bank) is executed. In the case of burst writes, the second write command has priority. The internal auto-precharge of one bank starts 2 clocks later from the second command.



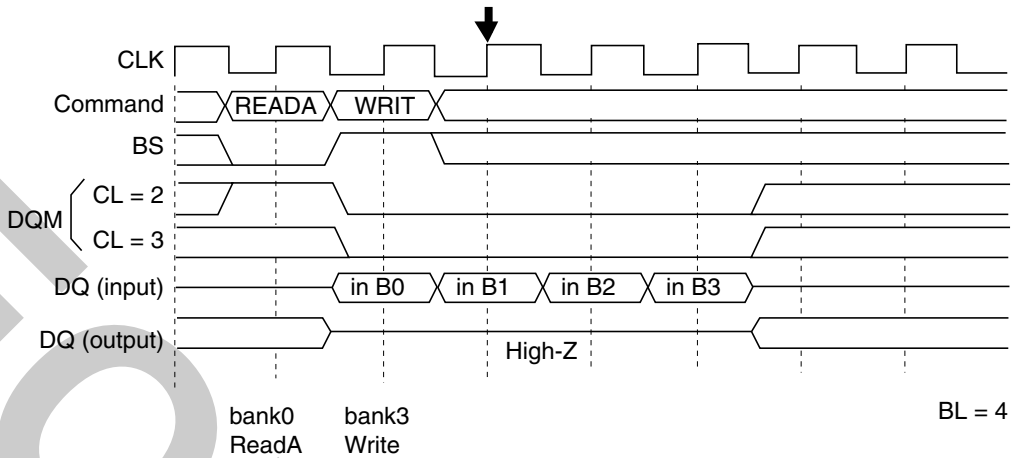
Note: Internal auto-precharge starts at the timing indicated by " ↓ ".

Write with Auto Precharge to Write Command Interval (Different bank)

2. Same bank: The consecutive write command (the same bank) is illegal.

Read with auto precharge to Write command interval

1. Different bank: When some banks are in the active state, the second write command (another bank) is executed. However, DQM must be set High so that the output buffer becomes High-Z before data input. The internal auto-precharge of one bank starts at the next clock of the second command.



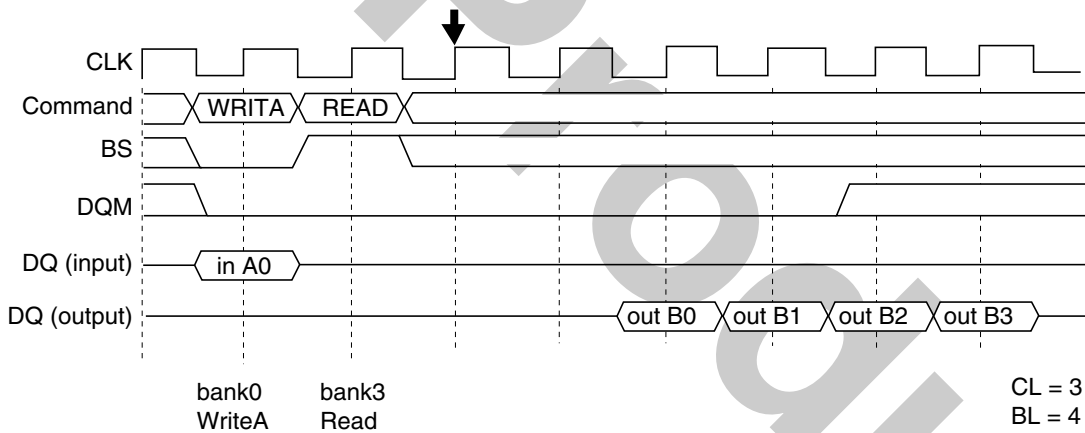
Note: Internal auto-precharge starts at the timing indicated by " ↓ ".

Read with Auto Precharge to Write Command Interval (Different bank)

2. Same bank: The consecutive write command from read with auto precharge (the same bank) is illegal. It is necessary to separate the two commands with a bank active command.

Write with auto precharge to Read command interval

1. Different bank: When some banks are in the active state, the second read command (another bank) is executed. However, in case of a burst write, data will continue to be written until one clock before the read command is executed. The internal auto-precharge of one bank starts at 2 clocks later from the second command.



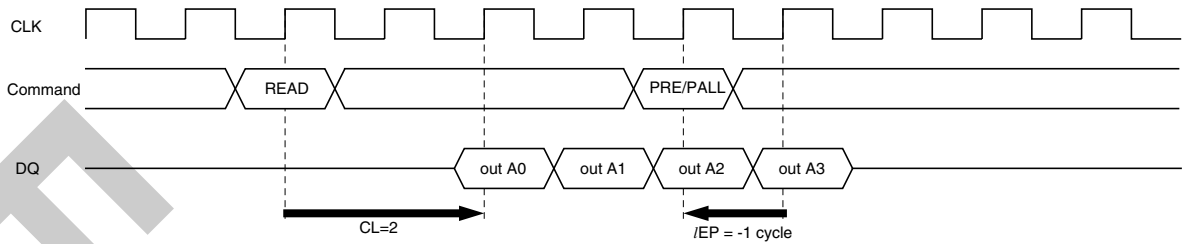
Note: Internal auto-precharge starts at the timing indicated by " ↓ ".

Write with Auto Precharge to Read Command Interval (Different bank)

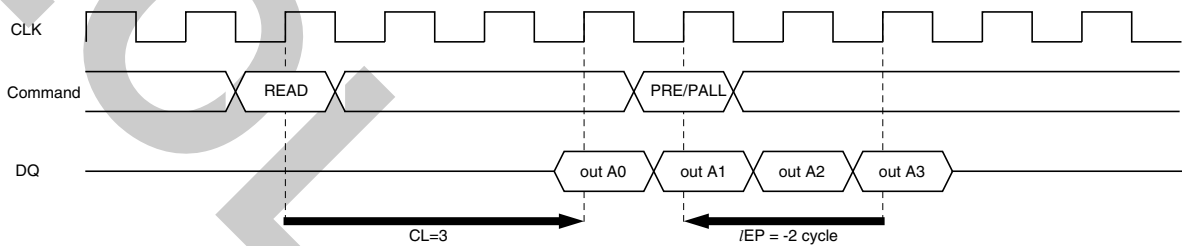
2. Same bank: The consecutive read command from write with auto precharge (the same bank) is illegal. It is necessary to separate the two commands with a bank active command.

Read command to Precharge command interval (same bank)

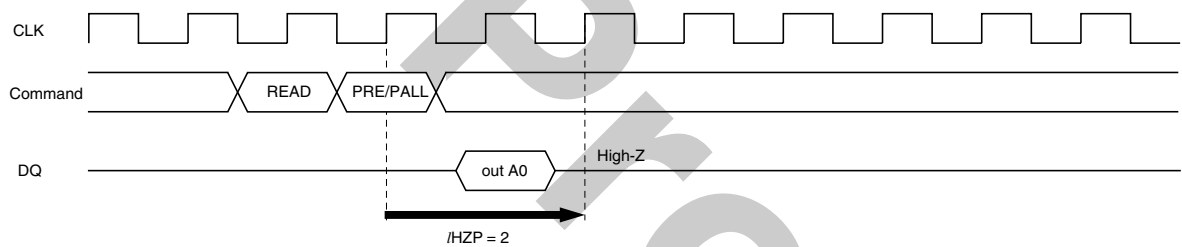
When the precharge command is executed for the same bank as the read command that preceded it, the minimum interval between the two commands is one clock. However, since the output buffer then becomes High-Z after the clocks defined by t_{HZP} , there is a case of interruption to burst read data output will be interrupted, if the precharge command is input during burst read. To read all data by burst read, the clocks defined by t_{EP} must be assured as an interval from the final data output to precharge command execution.



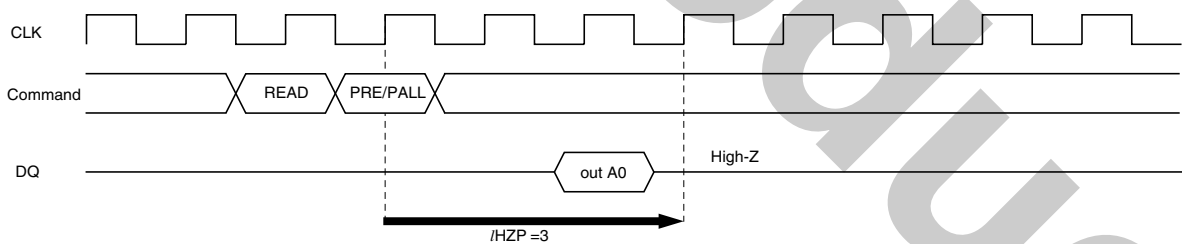
READ to PRECHARGE Command Interval (same bank): To output all data (CL = 2, BL = 4)



READ to PRECHARGE Command Interval (same bank): To output all data (CL = 3, BL = 4)



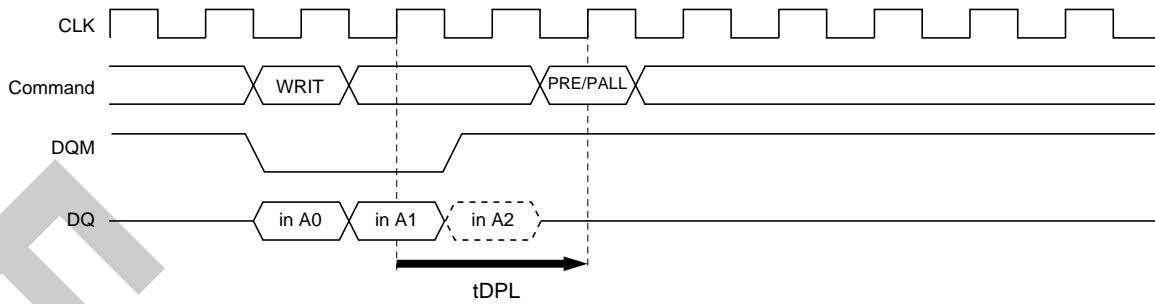
READ to PRECHARGE Command Interval (same bank): To stop output data (CL = 2, BL = 1, 2, 4, 8)



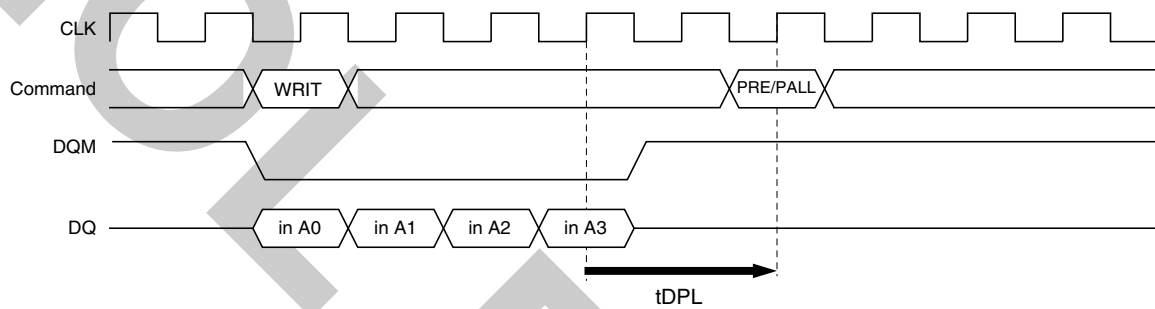
READ to PRECHARGE Command Interval (same bank): To stop output data (CL = 3, BL = 1, 2, 4, 8)

Write command to Precharge command interval (same bank)

When the precharge command is executed for the same bank as the write command that preceded it, the minimum interval between the two commands is 1 clock. However, if the burst write operation is unfinished, the input data must be masked by means of DQM for assurance of the clock defined by tDPL.



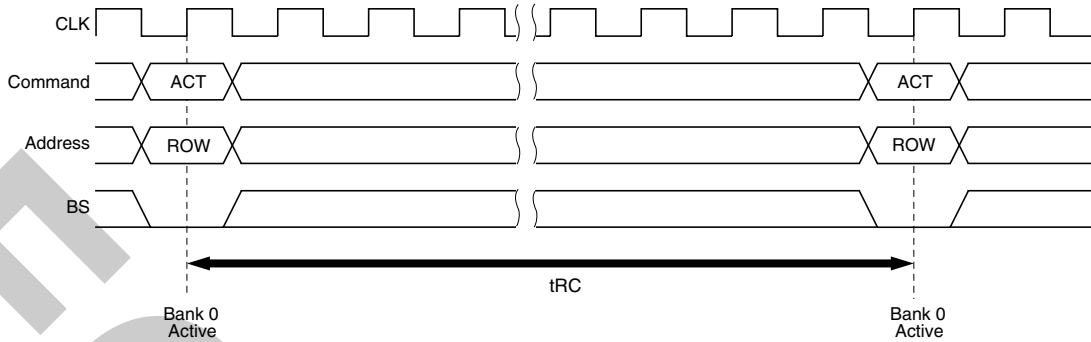
WRITE to PRECHARGE Command Interval (same bank) (BL = 4 (To stop write operation))



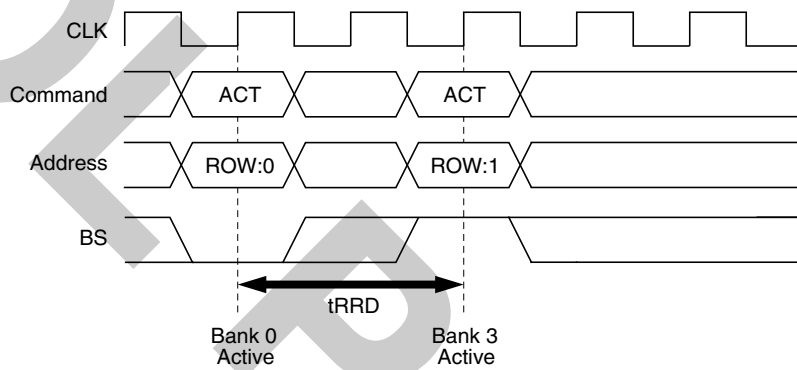
WRITE to PRECHARGE Command Interval (same bank) (BL = 4 (To write all data))

Bank active command interval

1. Same bank: The interval between the two bank active commands must be no less than t_{RC} .
2. In the case of different bank active commands: The interval between the two bank active commands must be no less than t_{RRD} .



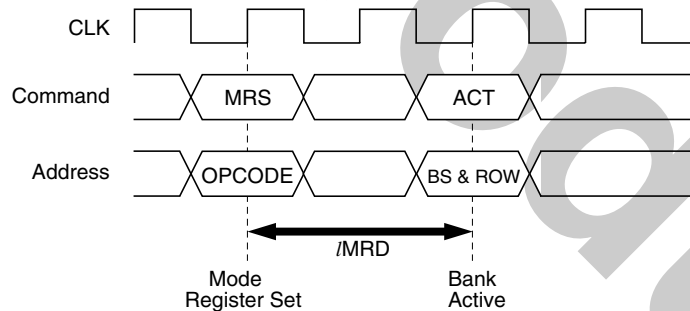
Bank Active to Bank Active for Same Bank



Bank Active to Bank Active for Different Bank

Mode register set to Bank active command interval

The interval between setting the mode register and executing a bank active command must be no less than t_{MRD} .



Mode register set to Bank active command interval

DQM Control

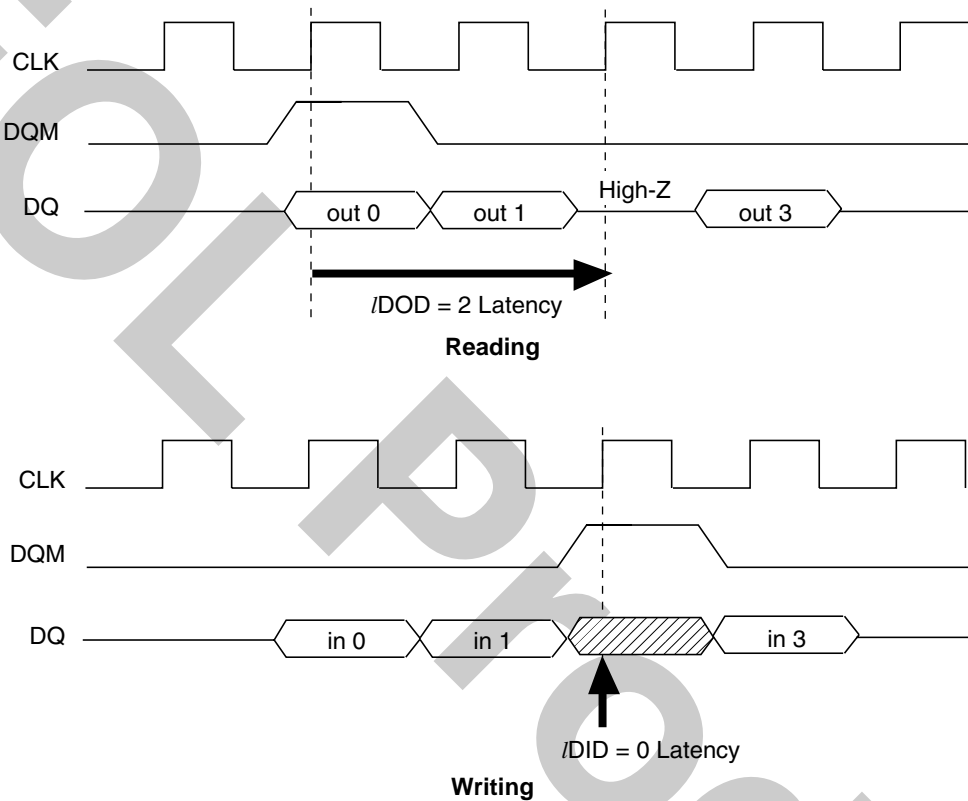
The DQM mask the DQ data. The UDQM and LDQM mask the upper and lower bytes of the DQ data, respectively. The timing of UDQM/LDQM is different during reading and writing.

Reading

When data is read, the output buffer can be controlled by DQM. By setting DQM to Low, the output buffer becomes Low-Z, enabling data output. By setting DQM to High, the output buffer becomes High-Z, and the corresponding data is not output. However, internal reading operations continue. The latency of DQM during reading is 2 clocks.

Writing

Input data can be masked by DQM. By setting DQM to Low, data can be written. In addition, when DQM is set to High, the corresponding data is not written, and the previous data is held. The latency of DQM during writing is 0 clock.



Refresh

Auto-refresh

All the banks must be precharged before executing an auto-refresh command. Since the auto-refresh command updates the internal counter every time it is executed and determines the banks and the ROW addresses to be refreshed, external address specification is not required. The refresh cycles are required to refresh all the ROW addresses within $t_{REF}(\text{max.})$. The output buffer becomes High-Z after auto-refresh start. In addition, since a precharge has been completed by an internal operation after the auto-refresh, an additional precharge operation by the precharge command is not required.

Self-refresh

After executing a self-refresh command, the self-refresh operation continues while CKE is held Low. During self-refresh operation, all ROW addresses are refreshed by the internal refresh timer. A self-refresh is terminated by a self-refresh exit command. Before and after self-refresh mode, execute auto-refresh to all refresh addresses in or within $t_{REF}(\text{max.})$ period on the condition 1 and 2 below.

1. Enter self-refresh mode within time as below* after either burst refresh or distributed refresh at equal interval to all refresh addresses are completed.
2. Start burst refresh or distributed refresh at equal interval to all refresh addresses within time as below*after exiting from self-refresh mode.

Note: $t_{REF}(\text{max.}) / \text{refresh cycles}$.

Others

Power-down mode

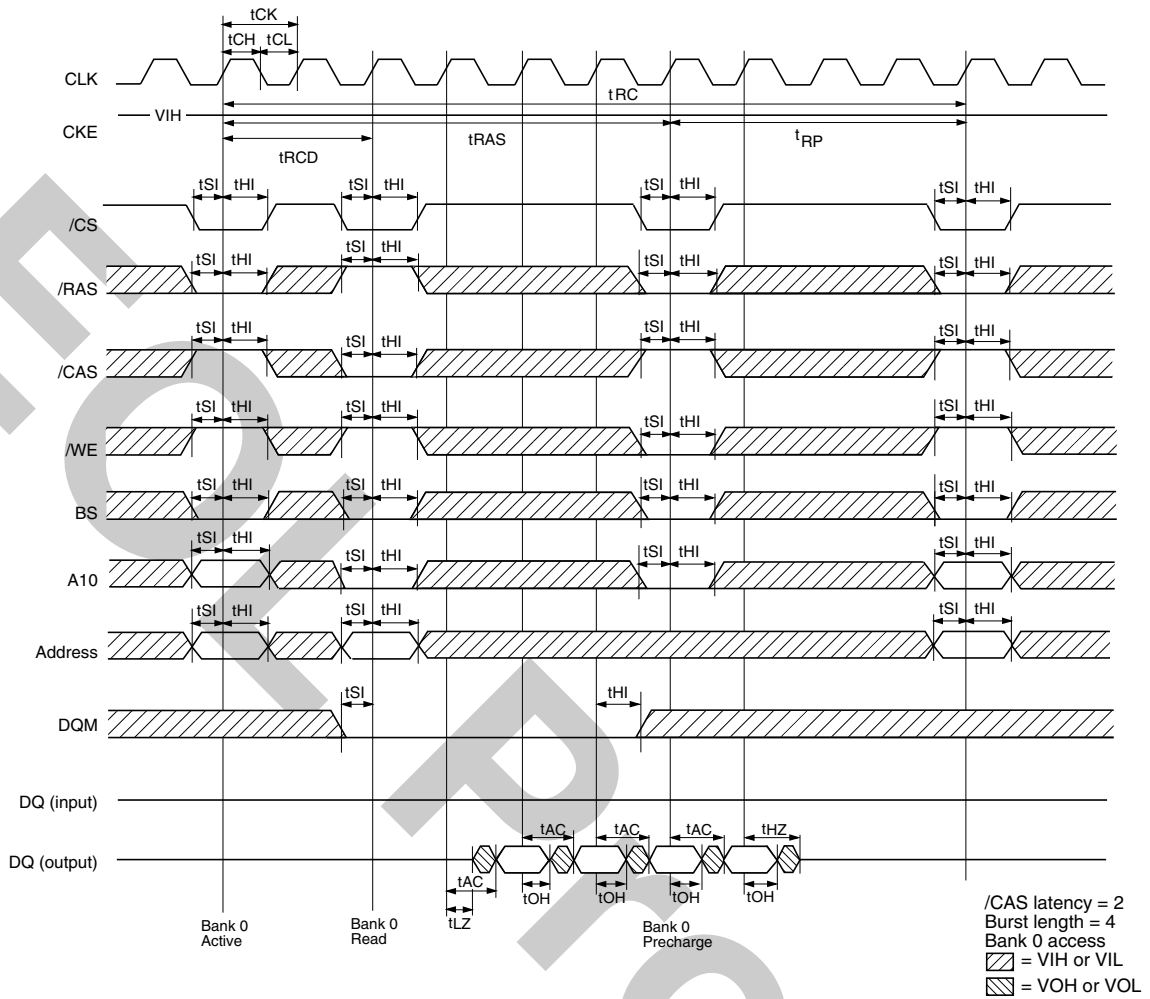
The SDRAM enters power-down mode when CKE goes Low in the IDLE state. In power down mode, power consumption is suppressed by deactivating the input initial circuit. Power down mode continues while CKE is held Low. In addition, by setting CKE to High, the SDRAM exits from the power down mode, and command input is enabled from the next clock. In this mode, internal refresh is not performed.

Clock suspend mode

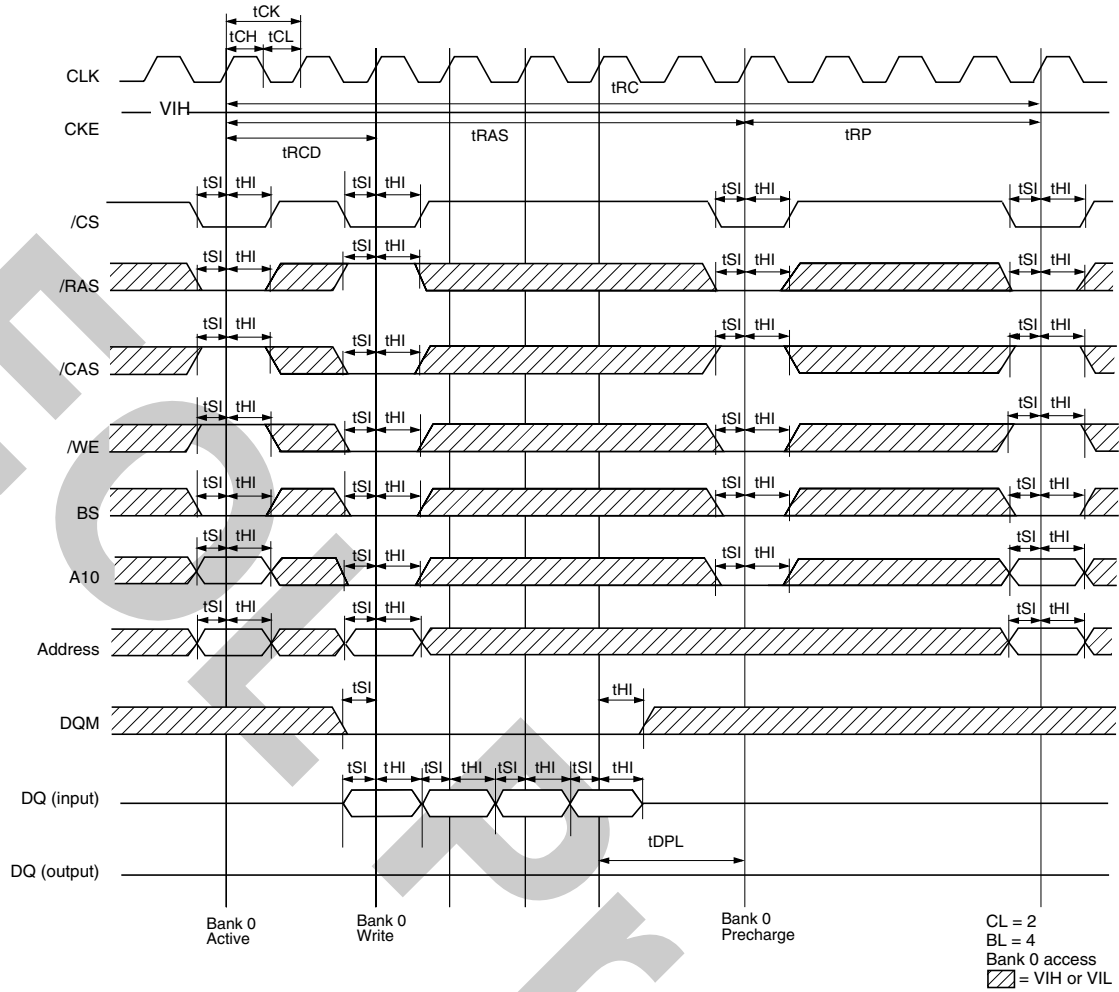
By driving CKE to Low during a bank active or read/write operation, the SDRAM enters clock suspend mode. During clock suspend mode, external input signals are ignored and the internal state is maintained. When CKE is driven High, the SDRAM terminates clock suspend mode, and command input is enabled from the next clock. For details, refer to the "CKE Truth Table".

Timing Waveforms

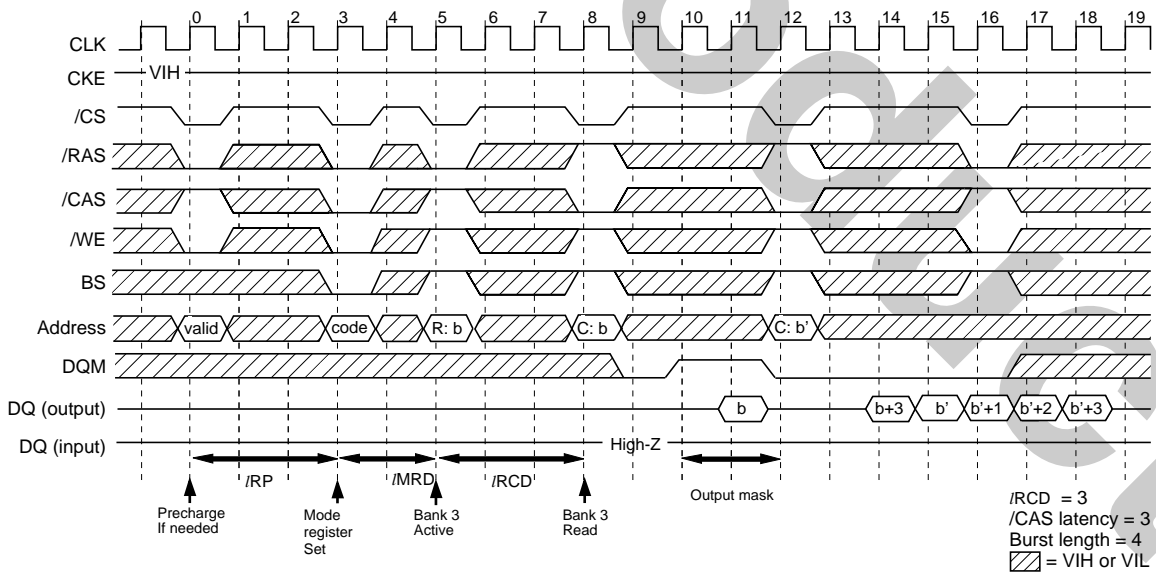
Read Cycle



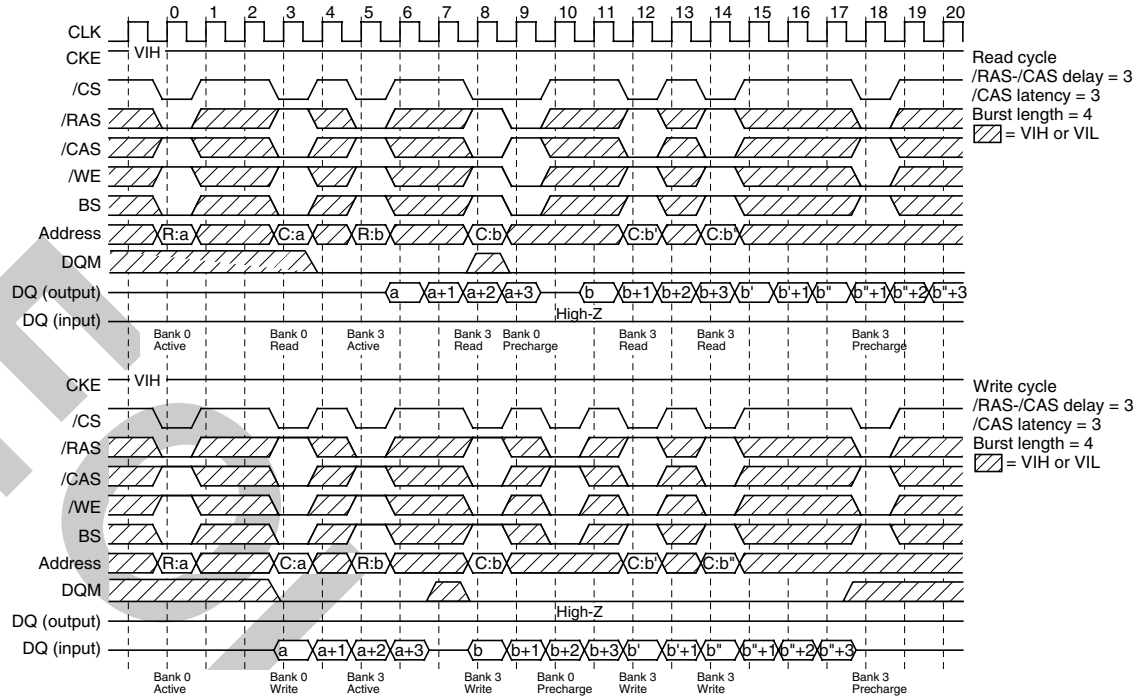
Write Cycle



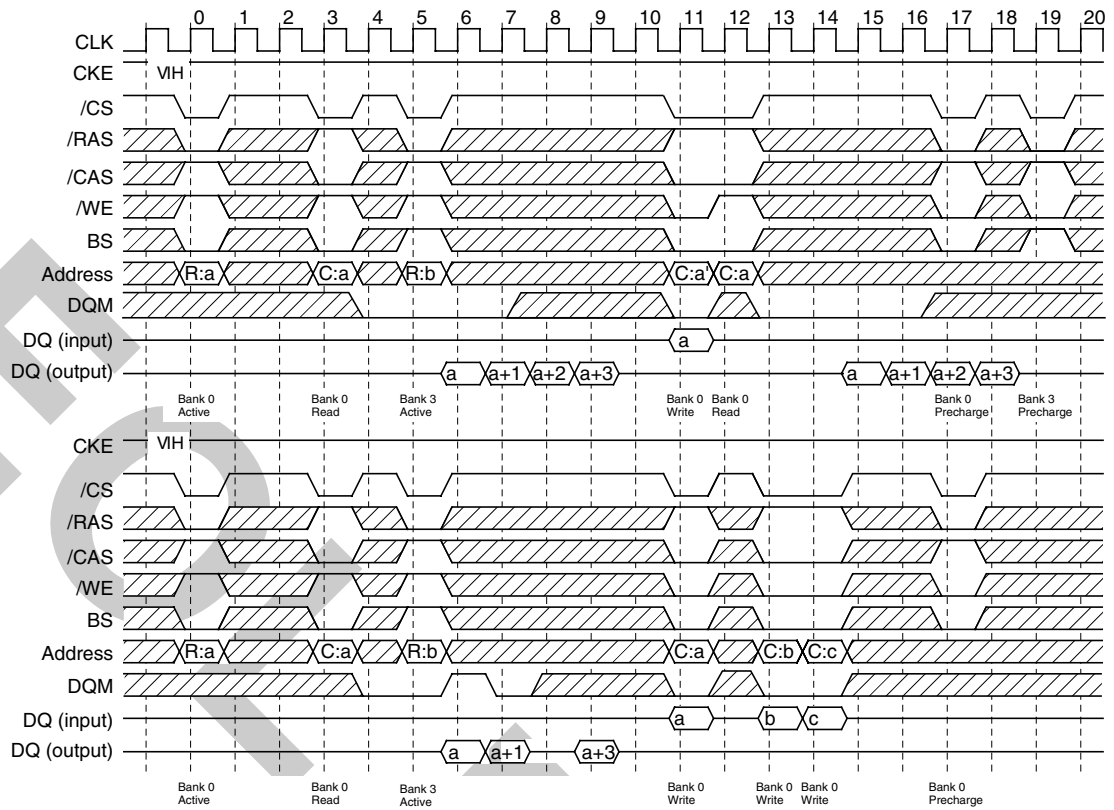
Mode Register Set Cycle



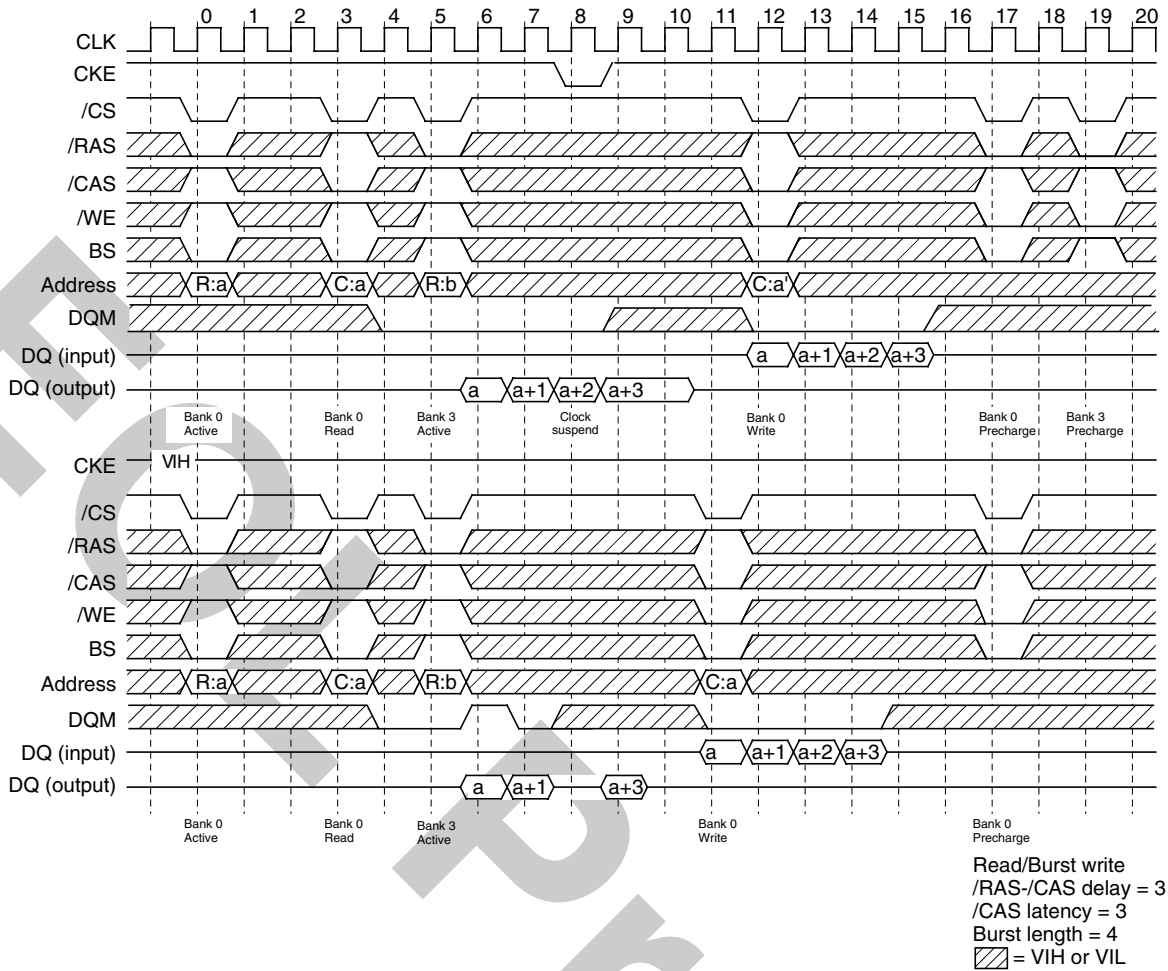
Read Cycle/Write Cycle



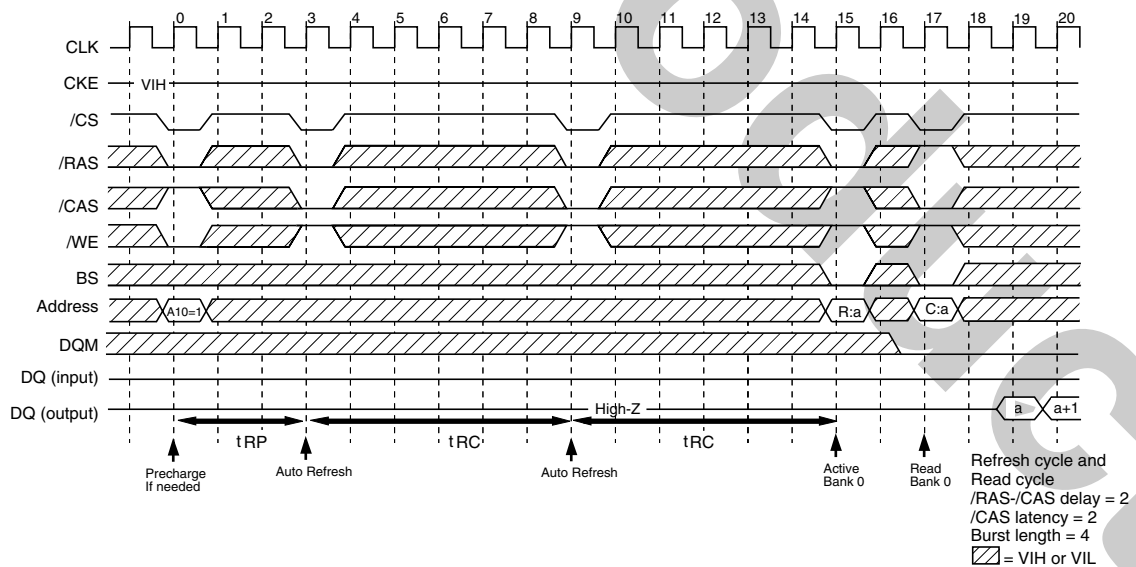
Read/Single Write Cycle



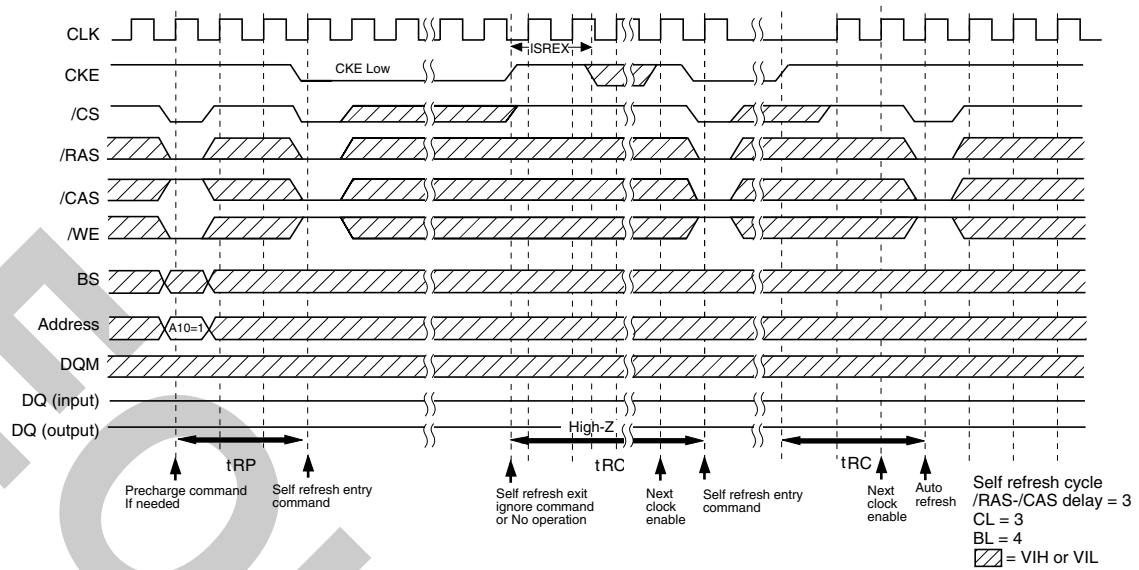
Read/Burst Write Cycle



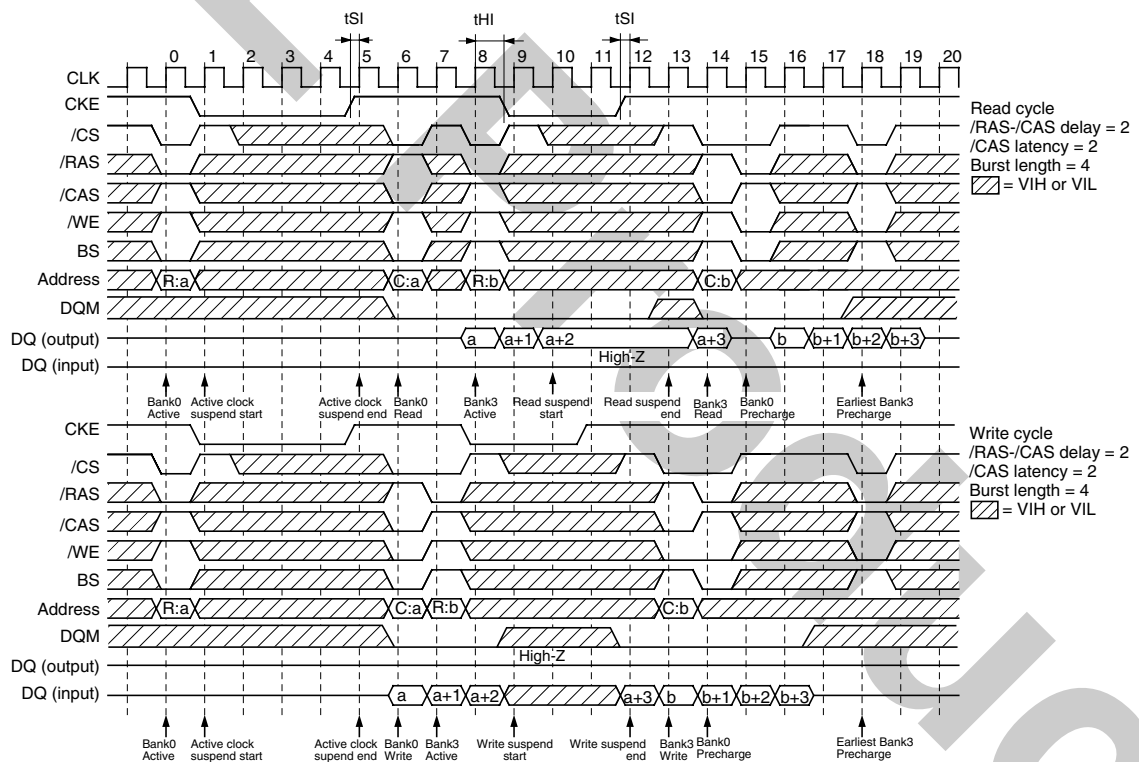
Auto Refresh Cycle



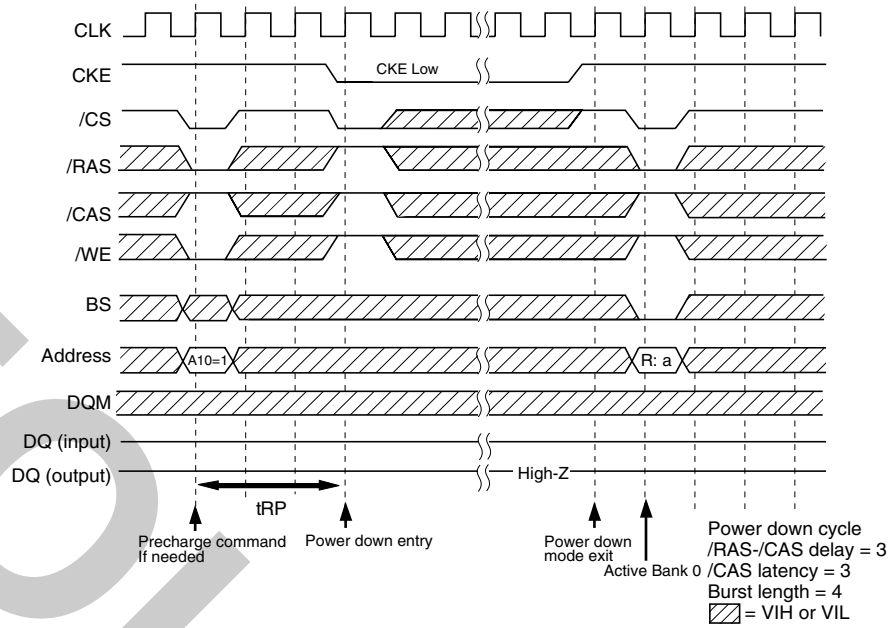
Self Refresh Cycle



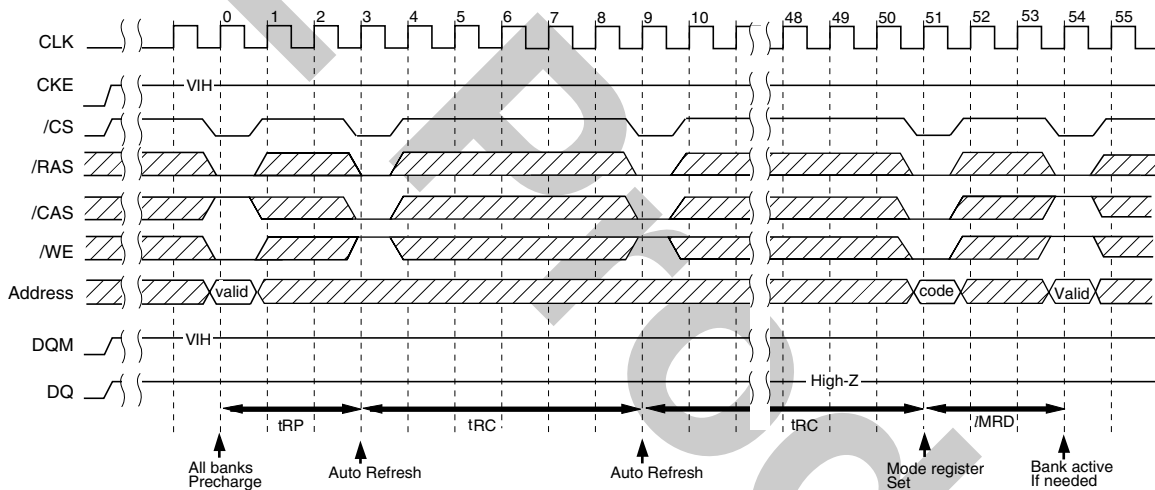
Clock Suspend Mode



Power Down Mode



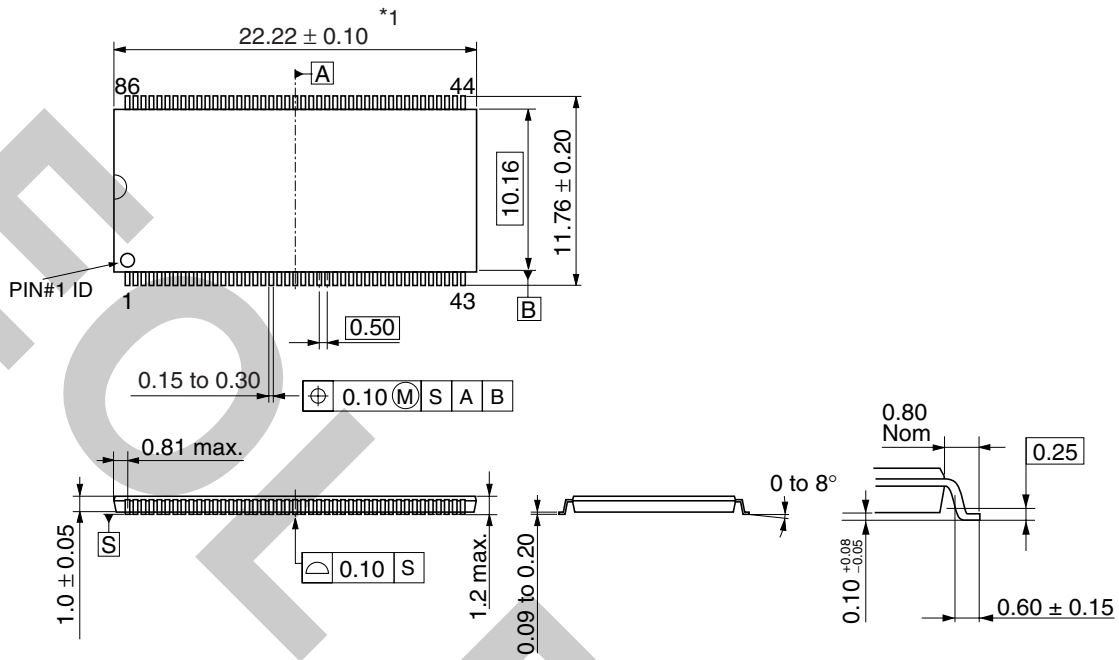
Initialization Sequence



Package Drawing

86-pin Plastic TSOP (II)

Unit: mm



Note: 1. This dimension does not include mold flash, protrusions or gate burrs. Mold flash, protrusions or gate burrs shall not exceed 0.20mm per side.

ECA-TS2-0087-02

Recommended Soldering Conditions

Please consult with our sales offices for soldering conditions of the EDS1232AA.

Type of Surface Mount Device

EDS1232AATA: 86-pin Plastic TSOP (II)

FOR Product

NOTES FOR CMOS DEVICES**① PRECAUTION AGAINST ESD FOR MOS DEVICES**

Exposing the MOS devices to a strong electric field can cause destruction of the gate oxide and ultimately degrade the MOS devices operation. Steps must be taken to stop generation of static electricity as much as possible, and quickly dissipate it, when once it has occurred. Environmental control must be adequate. When it is dry, humidifier should be used. It is recommended to avoid using insulators that easily build static electricity. MOS devices must be stored and transported in an anti-static container, static shielding bag or conductive material. All test and measurement tools including work bench and floor should be grounded. The operator should be grounded using wrist strap. MOS devices must not be touched with bare hands. Similar precautions need to be taken for PW boards with semiconductor MOS devices on it.

② HANDLING OF UNUSED INPUT PINS FOR CMOS DEVICES

No connection for CMOS devices input pins can be a cause of malfunction. If no connection is provided to the input pins, it is possible that an internal input level may be generated due to noise, etc., hence causing malfunction. CMOS devices behave differently than Bipolar or NMOS devices. Input levels of CMOS devices must be fixed high or low by using a pull-up or pull-down circuitry. Each unused pin should be connected to V_{DD} or GND with a resistor, if it is considered to have a possibility of being an output pin. The unused pins must be handled in accordance with the related specifications.

③ STATUS BEFORE INITIALIZATION OF MOS DEVICES

Power-on does not necessarily define initial status of MOS devices. Production process of MOS does not define the initial operation status of the device. Immediately after the power source is turned ON, the MOS devices with reset function have not yet been initialized. Hence, power-on does not guarantee output pin levels, I/O settings or contents of registers. MOS devices are not initialized until the reset signal is received. Reset operation must be executed immediately after power-on for MOS devices having reset function.

CME0107

The information in this document is subject to change without notice. Before using this document, confirm that this is the latest version.

No part of this document may be copied or reproduced in any form or by any means without the prior written consent of Elpida Memory, Inc.

Elpida Memory, Inc. does not assume any liability for infringement of any intellectual property rights (including but not limited to patents, copyrights, and circuit layout licenses) of Elpida Memory, Inc. or third parties by or arising from the use of the products or information listed in this document. No license, express, implied or otherwise, is granted under any patents, copyrights or other intellectual property rights of Elpida Memory, Inc. or others.

Descriptions of circuits, software and other related information in this document are provided for illustrative purposes in semiconductor product operation and application examples. The incorporation of these circuits, software and information in the design of the customer's equipment shall be done under the full responsibility of the customer. Elpida Memory, Inc. assumes no responsibility for any losses incurred by customers or third parties arising from the use of these circuits, software and information.

[Product applications]

Elpida Memory, Inc. makes every attempt to ensure that its products are of high quality and reliability. However, users are instructed to contact Elpida Memory's sales office before using the product in aerospace, aeronautics, nuclear power, combustion control, transportation, traffic, safety equipment, medical equipment for life support, or other such application in which especially high quality and reliability is demanded or where its failure or malfunction may directly threaten human life or cause risk of bodily injury.

[Product usage]

Design your application so that the product is used within the ranges and conditions guaranteed by Elpida Memory, Inc., including the maximum ratings, operating supply voltage range, heat radiation characteristics, installation conditions and other related characteristics. Elpida Memory, Inc. bears no responsibility for failure or damage when the product is used beyond the guaranteed ranges and conditions. Even within the guaranteed ranges and conditions, consider normally foreseeable failure rates or failure modes in semiconductor devices and employ systemic measures such as fail-safes, so that the equipment incorporating Elpida Memory, Inc. products does not cause bodily injury, fire or other consequential damage due to the operation of the Elpida Memory, Inc. product.

[Usage environment]

This product is not designed to be resistant to electromagnetic waves or radiation. This product must be used in a non-condensing environment.

If you export the products or technology described in this document that are controlled by the Foreign Exchange and Foreign Trade Law of Japan, you must follow the necessary procedures in accordance with the relevant laws and regulations of Japan. Also, if you export products/technology controlled by U.S. export control regulations, or another country's export control laws or regulations, you must follow the necessary procedures in accordance with such laws or regulations.

If these products/technology are sold, leased, or transferred to a third party, or a third party is granted license to use these products, that third party must be made aware that they are responsible for compliance with the relevant laws and regulations.

M01E0107