

Actual Size

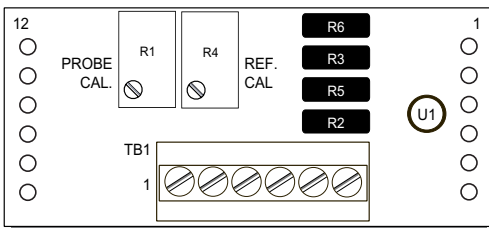
# DMS-EB-HTB

## High-Accuracy Temperature Sensor Boards DMS-30PC/LCD-0 Meters

Order online at [www.datel.com](http://www.datel.com)

### Features

- Accepts inputs from user-supplied solid-state temperature sensors
- Available in °C or °F output readings
- 6-wire screw-type terminal block
- Measures temperatures from -55 to +150°C (-67 to +199.9°F)
- Use with DMS-30PC/LCD-0 meters



**Description:** The DMS-EB-HTB Application Boards accept inputs from user-supplied, AD590 solid-state temperature sensors. The boards can be used with any of DATEL's ±200mV, 5V-powered DMS-30PC/LCD-0 Series, 3½ Digit, LED/LCD Display, Digital Panel Voltmeters — although better performance can be achieved with either LCD or low-power LED models. This meter/board combination provides extremely accurate (±0.3°C) temperature measurements over the range of -55 to +150°C (with DMS-EB-HTBC) or -67 to +199.9°F (DMS-EB-HTBF). Individual reference-adjust and probe-adjust potentiometers allow for "fine tuning" the AD590 output to precisely match the selected meter. A 6-wire, screw-type terminal block provides for quick, reliable, signal and power connections.

**Calibration:** R4 (Reference Adjust) is factory-calibrated to +459.8mV for °F and +273.2mV for °C (do not readjust). This measurement is taken between TB1 (pin 6) and pin 12 of the DMS-30PC/LCD-0. R1 (Probe Adjust) requires customer adjustment since every sensor has a slightly different zero offset. Calibration is simple: connect the sensor leads to TB1 and adjust R1 until the DMS-30's display matches a selected reference temperature indicator.

### Functional Specifications (TA = 25°C, VCC = +5V)

<b>Measurement Range:</b>	
DMS-EB-HTBC	-55 to +150°C
DMS-EB-HTBF	-67 to +199.9°F
<b>Sensor Type</b>	
	AD590 active linear device
<b>Accuracy:</b>	
Typical	±0.3°C (or °F)
Maximum	±1.0°C (or °F)
<b>Operating Voltage Range</b>	
	+5V (±10%)
<b>Input Current (Board only):</b>	
Typical	+0.8mA
Maximum	+1.0mA
<b>Sensor Lead Length</b>	
	3 feet, maximum
<b>Operating Temperature Range</b>	
	0 to +60°C
<b>Storage Temperature Range</b>	
	-20 to +75°C
<b>Humidity (non-condensing)</b>	
	0 to 95%,
<b>Dimensions</b>	
	2.02" (51.31mm)L
	0.83" (21.08mm)W

### Ordering Information

<b>DMS-EB-HTBC</b>	High-accuracy temperature probe board, Celsius
<b>DMS-EB-HTBF</b>	High-accuracy temperature probe board, Fahrenheit
<b>DMS-BZL1</b>	Bezel assembly
<b>DMS-BZL2</b>	Bezel assembly with sealing gasket

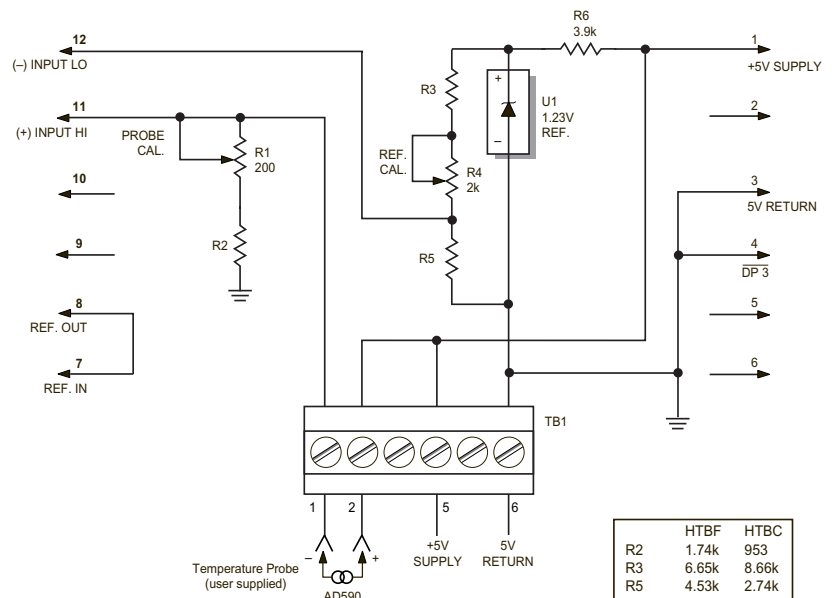


Figure 1. DMS-EB-HTB Schematic Diagram