

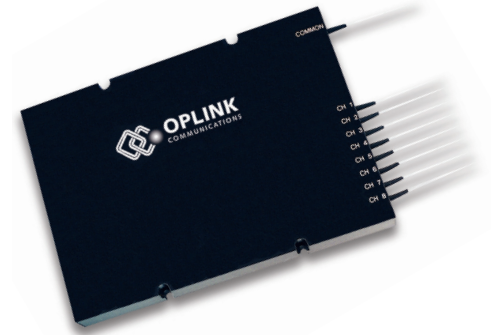
GREEN 200GHz 4/8 CHANNEL DENSE WAVELENGTH DIVISION MULTIPLEXING

DWDMG2 4/8ch Series

Product Description

Oplink's 200GHz Dense Wavelength Division Multiplexer is based on patented athermal platform for optical device. This multiplexer features ultra low insertion loss, super thermal stability, and unparallel reliability. The technology is a lead-free packaging platform and no epoxy in the optical path. Green 200GHz DWDM is Telcordia GR-1221 and GR-1209 tested, qualified for uncontrolled environment applications and complied with industry green initiatives such as RoHS and WEEE.

Oplink can provide customized designs to meet specialized feature applications. Also, Oplink offers modular assemblies that integrate other components to form a full function module or subsystem.



Performance Specification

DWDMG 200GHz 4/8Ch Series		Min	Typical	Max	Unit	
Working Wavelength Range		1528~1640			nm	
Center Wavelength λ_c		ITU Grid			nm	
Channel Spacing		200			GHz	
Passband Bandwidth		$\lambda_c \pm 0.25$			nm	
Insertion Loss ^[1]	4-Channel		1.6	1.8	dB	
	8-Channel		2.8	3.2		
Polarization Dependent Loss (PDL)					0.20	dB
Polarization Mode Dispersion (PMD)					0.2	ps
Passband Ripple					0.5	dB
Adjacent Channel Isolation		30			dB	
Non-adjacent Channel Isolation		40			dB	
Return Loss		45			dB	
Directivity		50			dB	
Operating Power					500	mW
Operating Temperature		0 to +70			°C	
Storage Temperature		-40 to +85			°C	
Fiber Type		Corning SMF-28e or equivalent				
Package Dimensions ^[3]		125 x 90 x 8			mm	

Note:

^[1] The maximum IL is under all states of polarization and within the full operating temperature and wavelength ranges specified.

^[2] All the parameters are excluding connectors.

^[3] The mechanical tolerance should be +/-0.2mm on all package dimensions unless otherwise custom specified

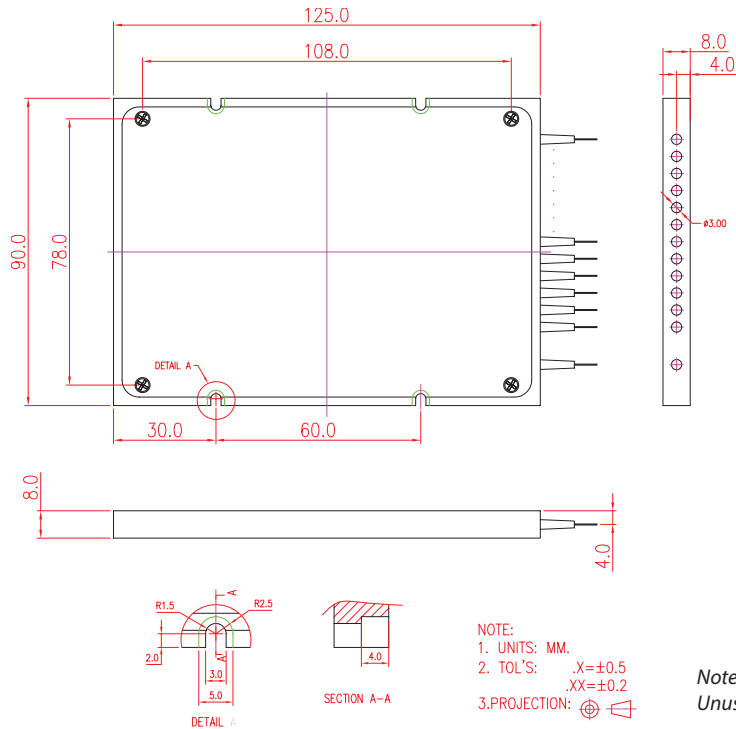
Features

- ◆ Environmental Green Plan Compliance
- ◆ Ultra-Low Insertion Loss
- ◆ Narrow Down Distribution
- ◆ Super Thermal Stability
- ◆ Highly Reliability
- ◆ High Channel Isolation

Applications

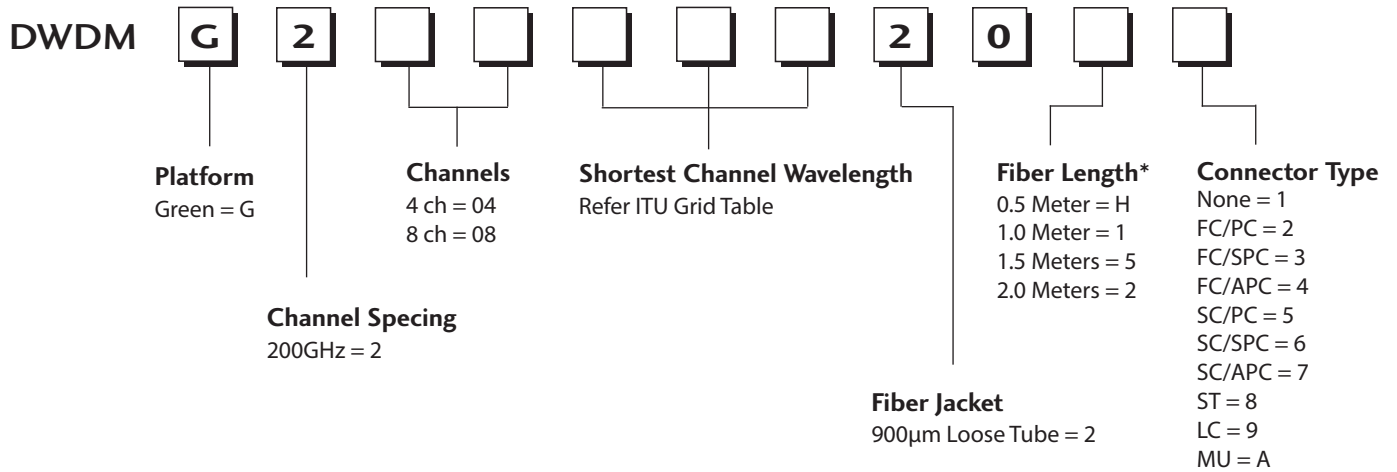
- ◆ Dense WDM System
- ◆ CATV Fiberoptic Links

Mechanical Drawing / Package Dimension (Unit : mm)



Ordering Information

Oplink can provide a remarkable range of customized optical solutions. For detail, please contact Oplink's OEM design team or account manager for your requirements and ordering information (510) 933-7200.



*The tolerance of fiber length is +/-0.1m.
* 1 meter is standard. * The lead-time for special fiber length will be longer.