

NEW



DW1 Series

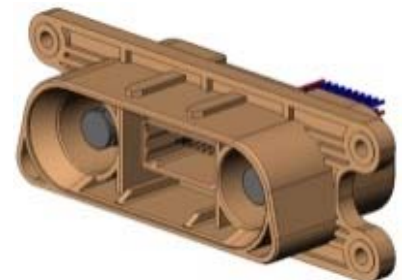
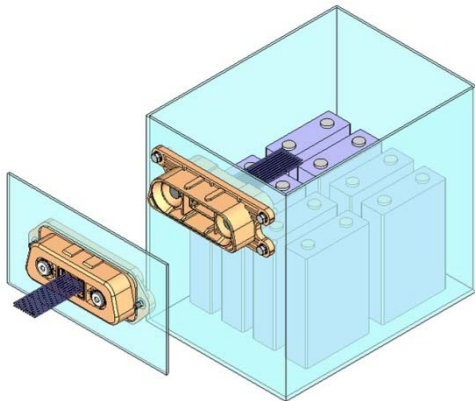
(UL Recognized Product)

CONNECTOR

MB-0265-2

February 2016

RoHS Compliant



Drawing when DW1 is mounted


Receptacle (DW1R002ZH1)

Plug (DW1P002ZH1)

<<Outline>>

The DW1 Series is a rack and panel connector with 2 contacts for high-current (500A). It enables the connection of the 2 contacts for power supply and 20 contacts for signal at once. The DW1 Series is suitable for use in a wide range of applications such as storage battery systems, power supply systems, UPS, and other power supply control equipments. The DW1 Series is a UL recognized product.

Features

- UL Recognized Product: File No.E67741 
- High-current: compatible with 500A
- Electrical Shock Prevention: protection cap for plug side
- Floating Amount: $\pm 2.75\text{mm}$
- Robust housing integrating complex power supply and signal area.
- Signal connector can be attached to the main unit using an exclusive jig.
- Signal area has a 2-point contacting structure contact.
- Power supply compatible with bus bar and cable connection.

General Specifications

- No. of Contacts:
 - 2 pos. (power supply)
 - 20 pos. (signal)
- Rated Current:
 - 500A (power supply)
 - 2A (signal)
- Rated Voltage:
 - 600V (power supply) *Note 1
 - 100V (signal)
- Contact Resistance (power supply):
 - 0.2m Ω max. (initial)
- Durability: 20 times
- Operating Temperature:
 - 40Deg. C~+95Deg. C

Note 1: Please contact us when considering use in usage environments that exceed 600V.

Ordering Information

Connector Main Unit

D W 1 R 0 0 2 Z H 1

Series

Connector Type
R: Receptacle
P: Plug

Modification Code

Plating of Contact Area
H: Ag plating

Connection Type
Z: Others

No. of Contacts

002: 2 pos. (shown in 3 digit)

Connector for Signal (Housing)

D W 1 R 0 2 0

Series

Connector Type
R: Receptacle
P: Plug

No. of Contacts

020: 20 pos. (shown in 3 digit)

Connector for Signal (Contact)

D W 1 S 0 4 K 4 F 1

Series

Connection Type
S: Crimp, socket
P: Crimp, pin

Modification Code

Plating of Contact Area
F: Sn plating

Applicable Cable Size
4: 22AWG

No. of Contacts

04K: 4000 pcs.

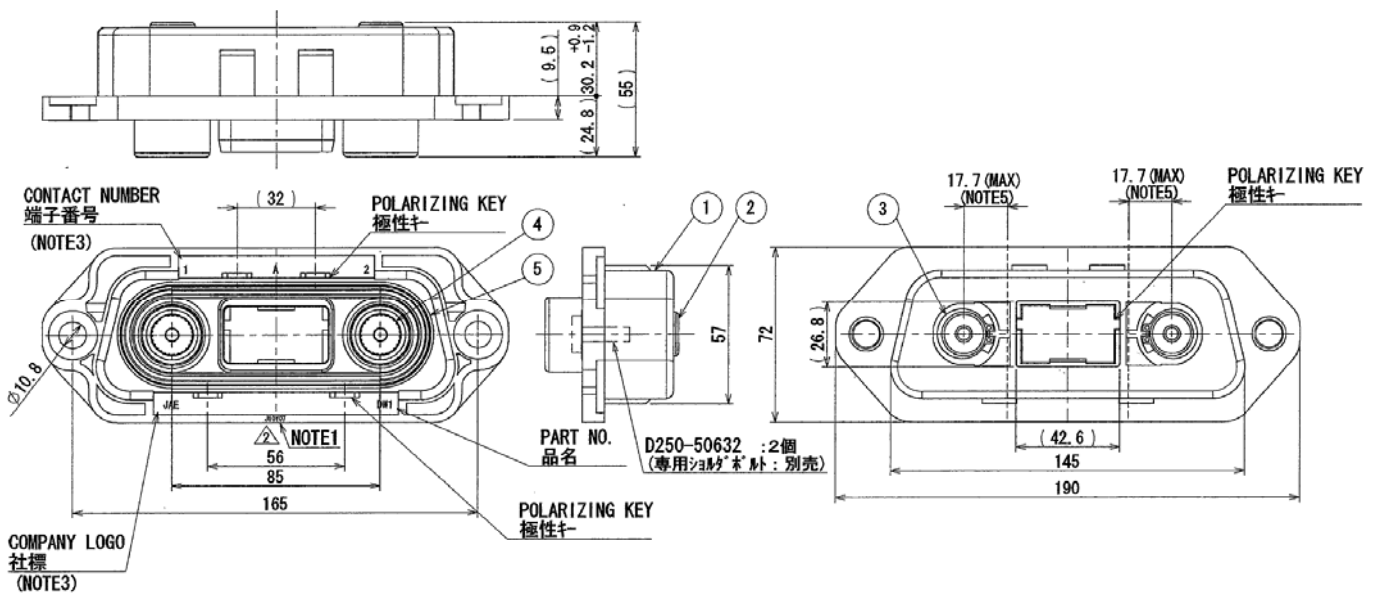
Reel Part Number K: unit of 1000 pcs. (Note 1)

Note 1: An embossed reel contains 4,000 pcs.

Product Drawing

1. Receptacle (Main Unit)

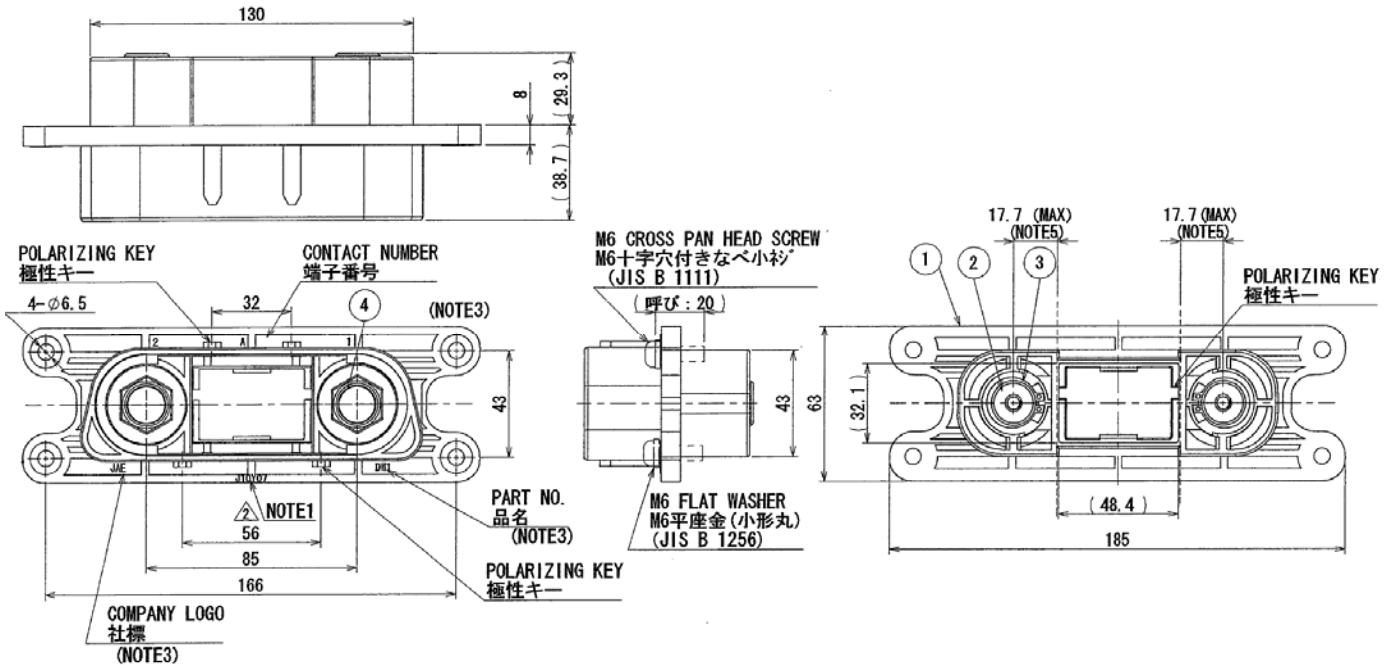
Part Number	DW1R002ZH1
SJ Drawing	SJ111306



5	SEAL RING	1	SILICON RUBBER	COLOR: GRAY	UL94 V-0
4	SPRING CONTACT	2	COPPER ALLOY	SILVER PLATING	—
3	C SNAP RING	2	STAINLESS STEEL	—	—
2	SOCKET CONTACT	2	COPPER ALLOY	SILVER PLATING	—
1	RECEPTACLE HOUSING	1	PPS	COLOR: BROWN	UL94 V-0
符号 NO.	名称 DESCRIPTION	数量 QTY.	材料 MATERIAL	仕上 FINISH	備考 REMARKS

2. Plug (Main Unit)

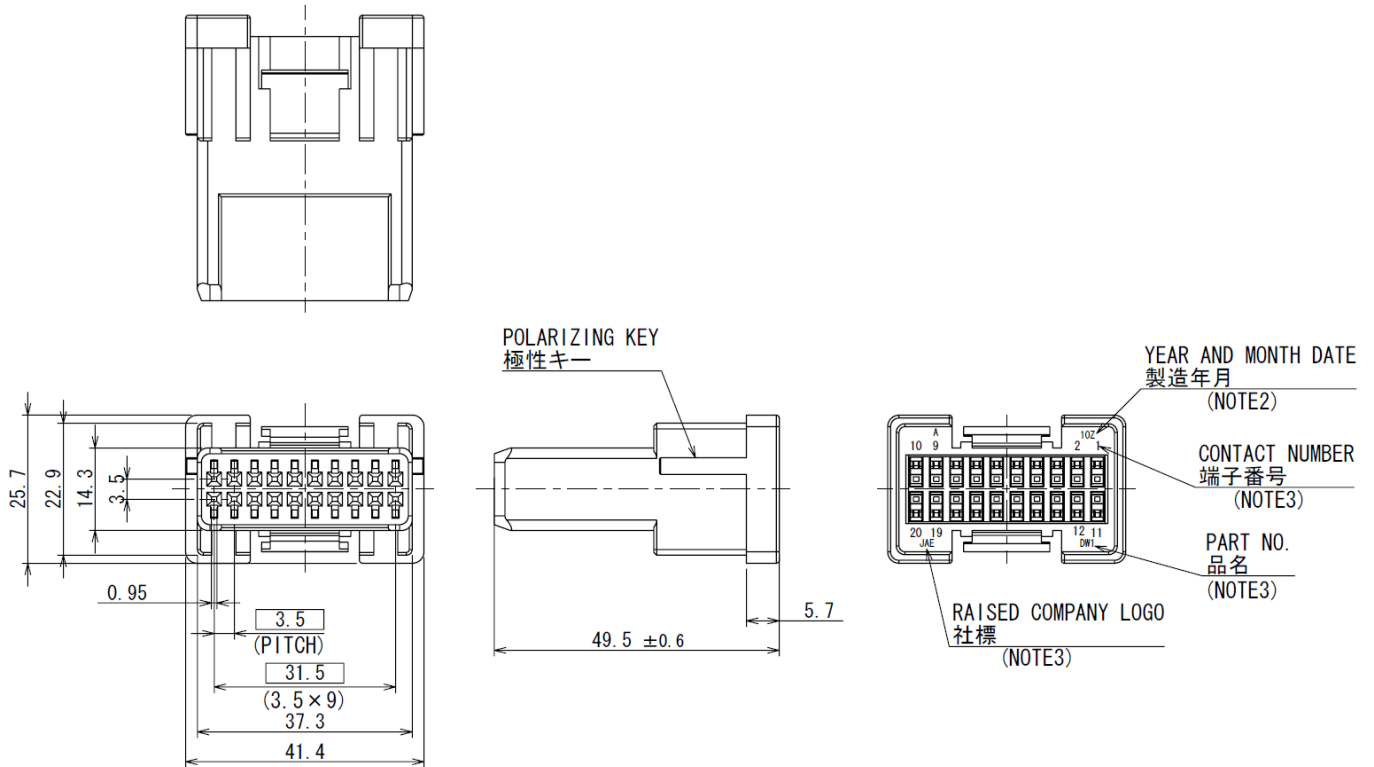
Part Number	DW1P002ZH1
SJ Drawing	SJ111307



4	COVER CAP	2	PPS	COLOR:BLACK	UL94-V-0
3	C SNAP RING	2	STAINLESS STEEL	—	—
3	PIN CONTACT	2	COPPER ALLOY	SILVER PLATING	—
1	PLUG HOUSING	1	PPS	COLOR:BROWN	UL94-V-0
符号 NO.	名称 DESCRIPTION	個数 QTY.	材料 MATERIAL	仕上 FINISH	備考 REMARKS

3. Connector for Signal (Receptacle Side)

Part Number	DW1R020
SJ Drawing	SJ111308

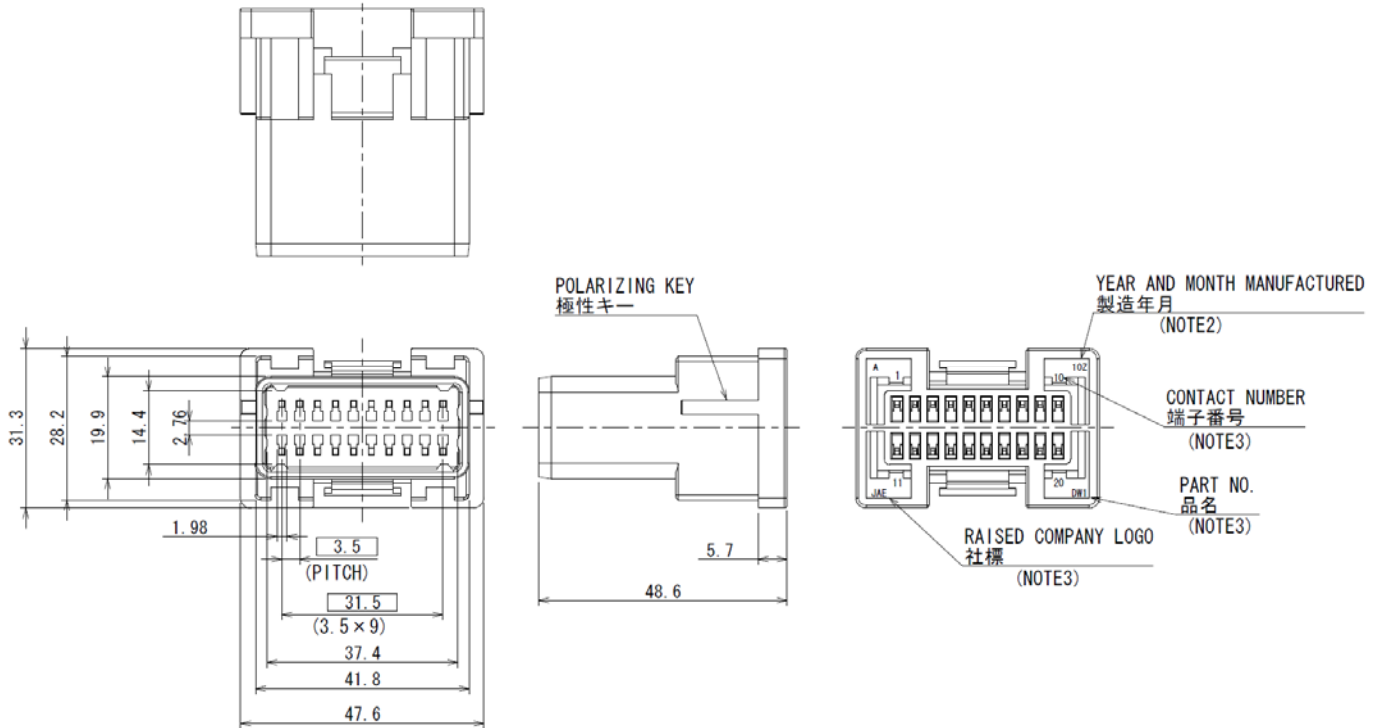


1	RECEPTACLE HOUSING	1	GLASS FILLED PBT $\triangle 2$	COLOR: BROWN	—
符号 NO.	名 称 DESCRIPTION	個 数 QTY.	材 料 MATERIAL	仕 上 FINISH	備 考 REMARKS

1	RECEPTACLE HOUSING	1	PBT	COLOR: BROWN	—
符号 NO.	名 称 DESCRIPTION	個 数 QTY.	材 料 MATERIAL	仕 上 FINISH	備 考 REMARKS

4. Connector for Signal (Plug Side)

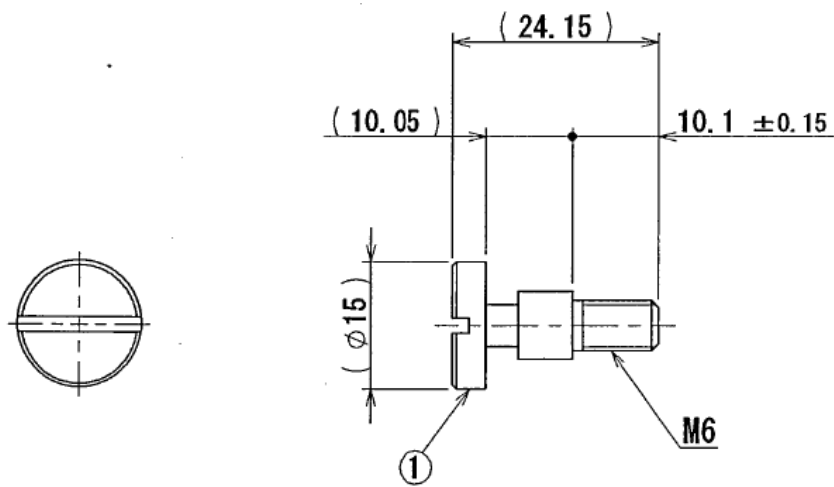
Part Number	DW1P020
SJ Drawing	SJ111309



1	PLUG HOUSING	1	GLASS FILLED PBT \triangle	COLOR: BROWN	UL94-V-0
符号 NO.	名称 DESCRIPTION	个数 QTY.	材料 MATERIAL	仕上 FINISH	備考 REMARKS

5. Shoulder Bolt for Panel Attachment

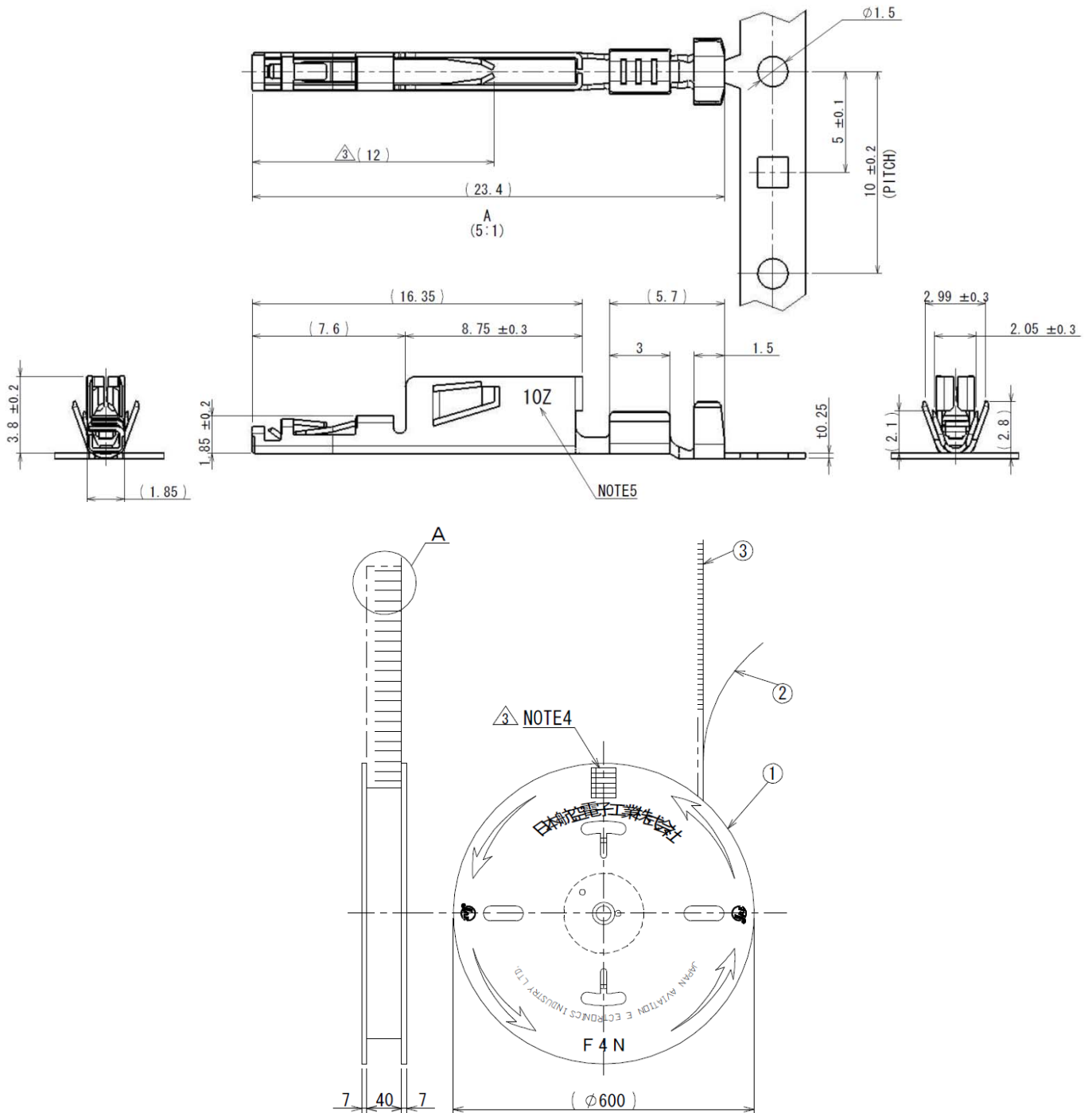
Part Number	D250-50632
SJ Drawing	SJ111543



1	SHOULDER BOLT	1	STAINLESS STEEL	-	-
符号 NO.	名 称 DESCRIPTION	個 数 QTY.	材 料 MATERIAL	仕 上 FINISH	備 考 REMARKS

6. Socket Contact for Signal (for Receptacle)

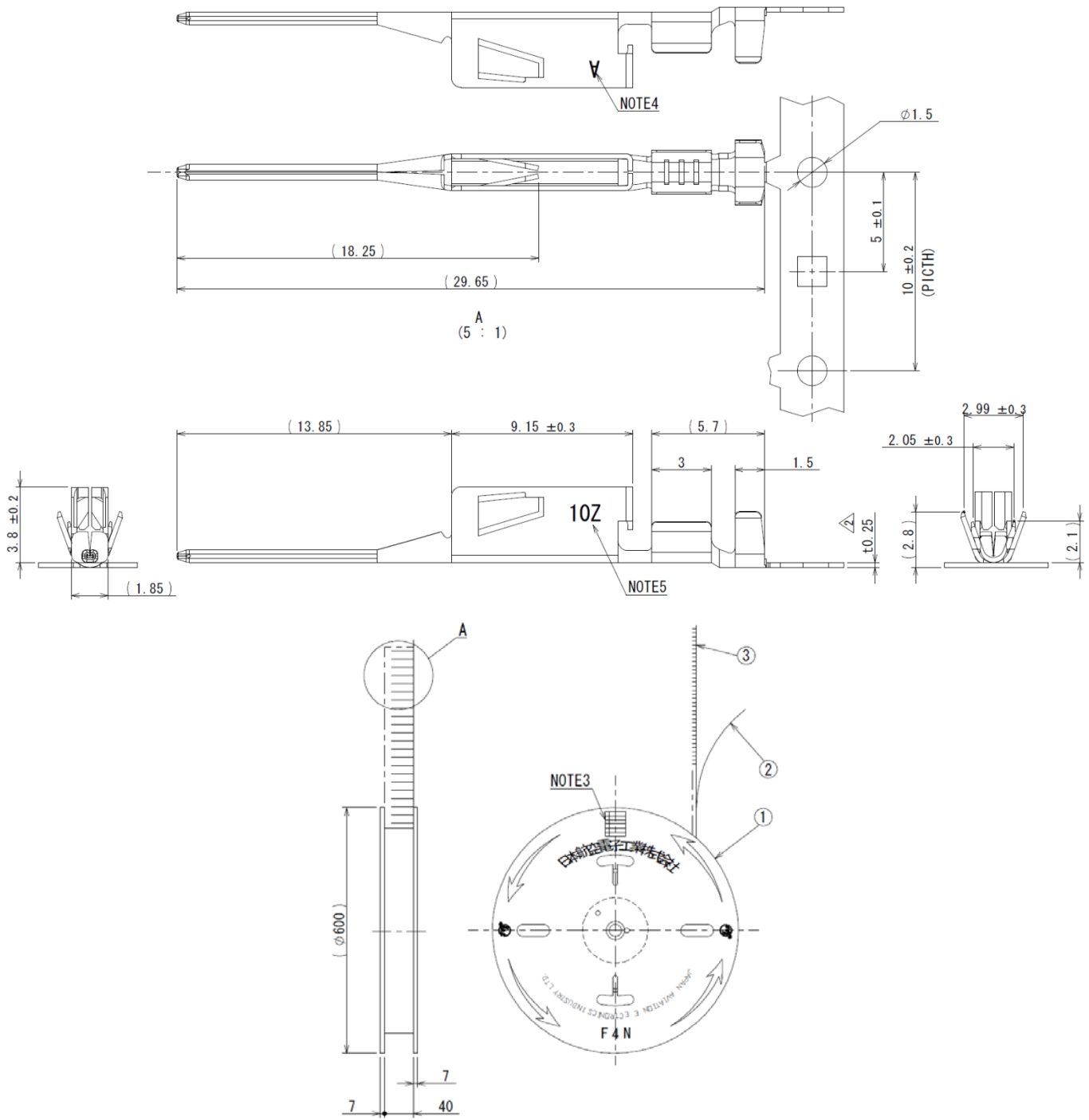
Part Number	DW1S04K4F1
SJ Drawing	SJ111310



符号 NO.	名称 DESCRIPTION	个数 QTY.	材料 MATERIAL	仕上 FINISH	備考 REMARKS
3	SOCKET CONTACT	4000	COPPER ALLOY	TIN PLATE	—
2	PAPER TAPE	1	PAPER	—	—
1	MAGAZINE	1	PAPER	—	—

7. Pin Contact Long for Signal (for Plug)

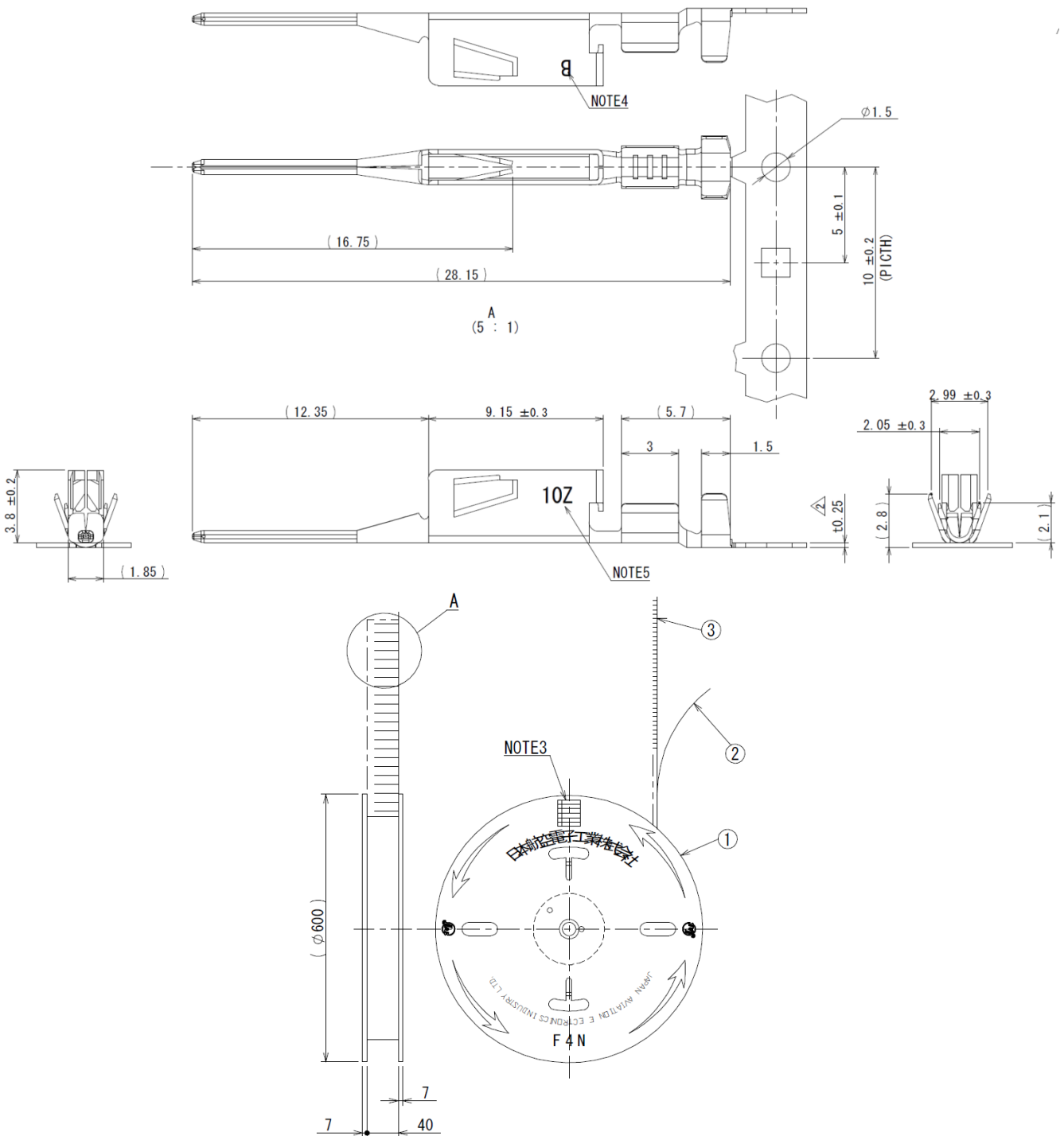
Part Number	DW1P04K4F1
SJ Drawing	SJ111311



3	PIN CONTACT	4000	COPPER ALLOY	TIN PLATE	—
2	PAPER TAPE	1	PAPER	—	—
1	MAGAZINE	1	PAPER	—	—
符号 NO.	名称 DESCRIPTION	个数 QTY.	材料 MATERIAL	仕上 FINISH	備考 REMARKS

8. Pin Contact Short for Signal (for Plug)

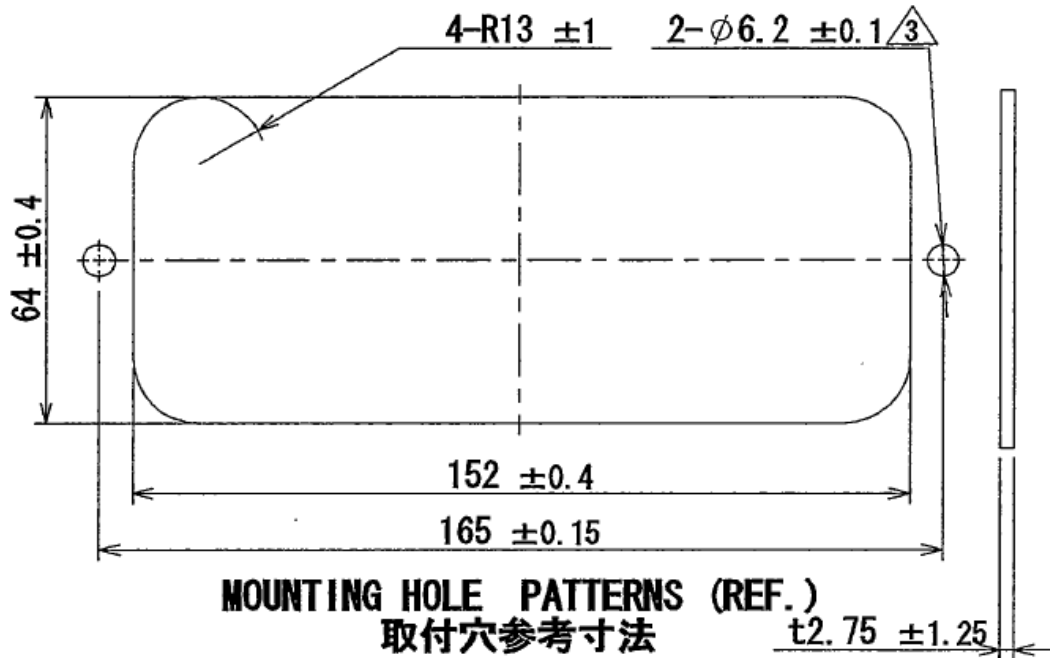
Part Number	DW1P04K4F2
SJ Drawing	SJ111312



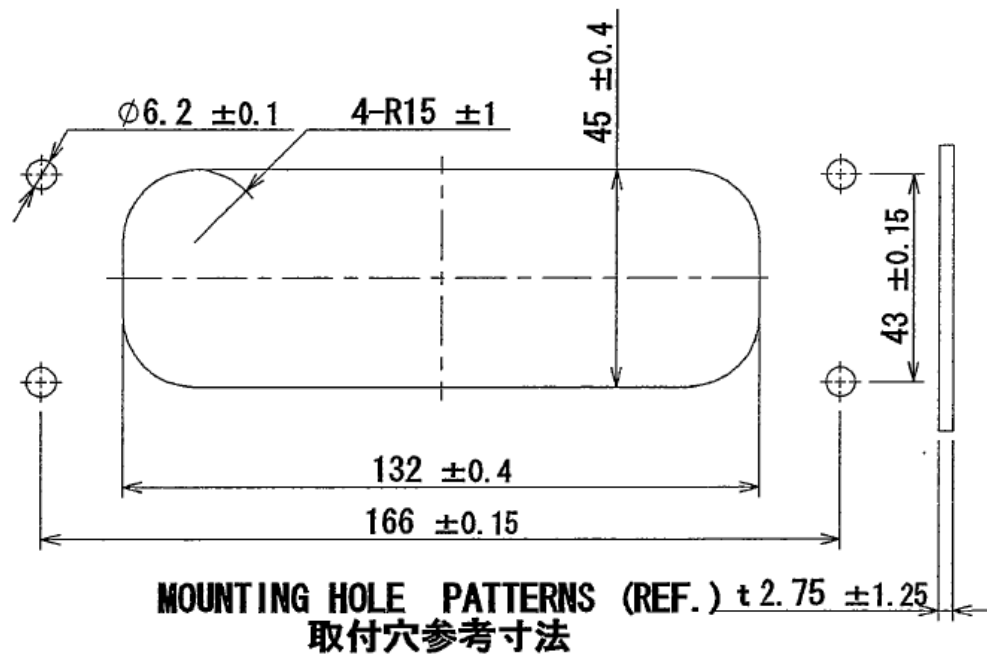
3	PIN CONTACT	4000	COPPER ALLOY	TIN PLATE	—
2	PAPER TAPE	1	PAPER	—	—
1	MAGAZINE	1	PAPER	—	—
符号 NO.	名称 DESCRIPTION	個数 QTY.	材料 MATERIAL	仕上 FINISH	備考 REMARKS

Applicable Board Dimensions (for reference)

Receptacle Side

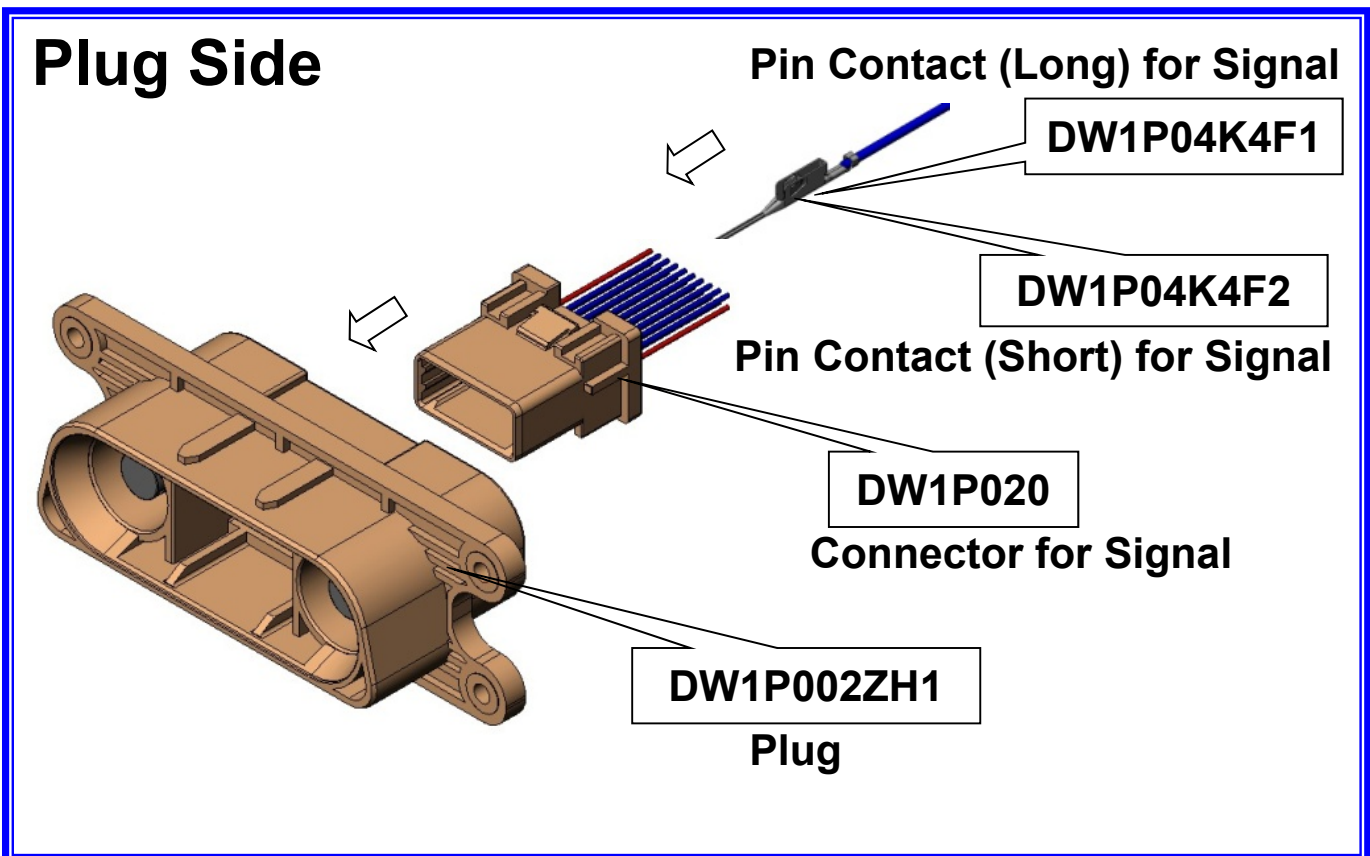
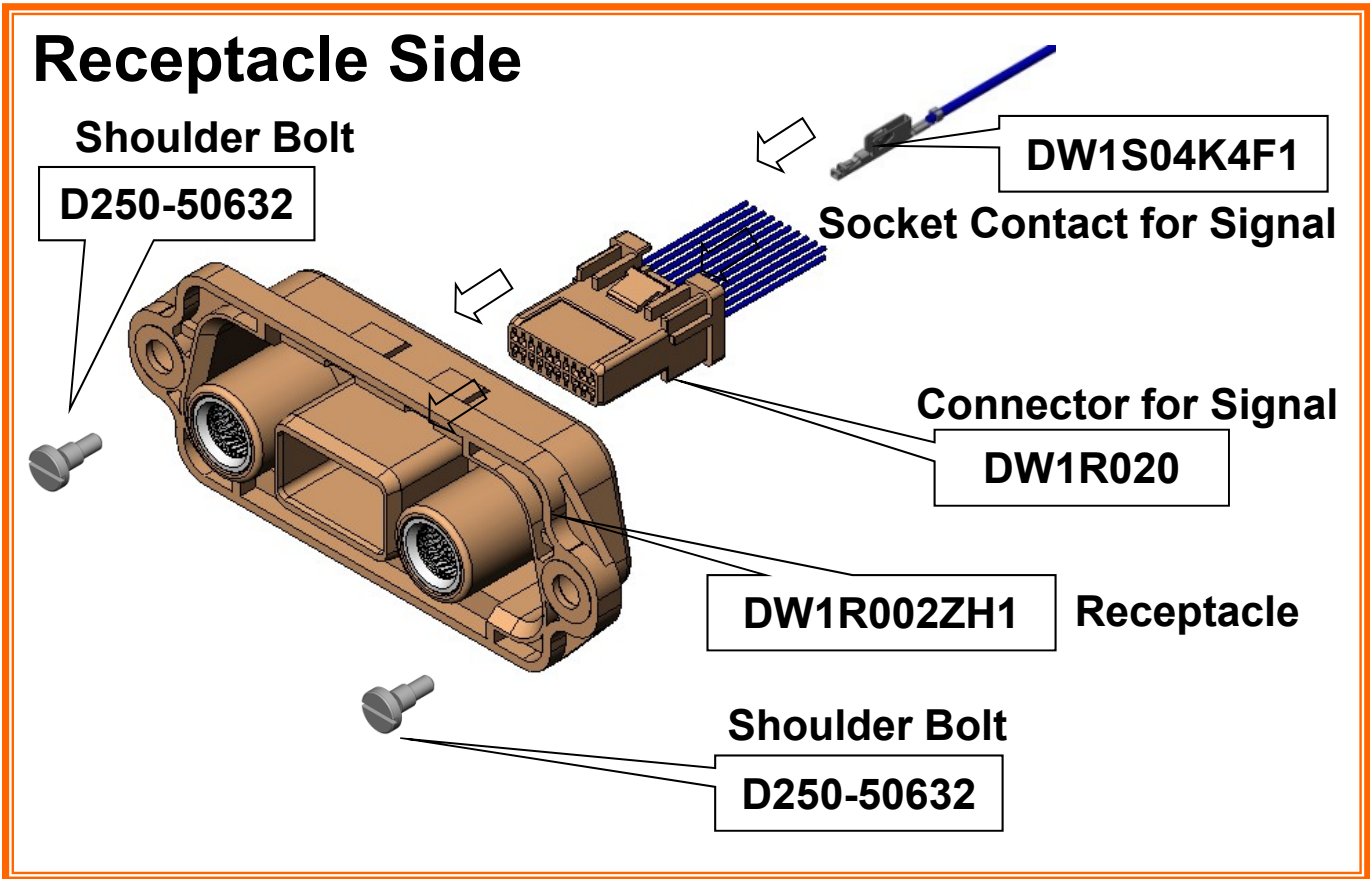


Plug Side



DW1 Series

*Contact is Reel Part Number



Technical Documents

	Technical Document No. (Document Content)
Product Drawings	SJ111306 (DW1 Receptacle) SJ111307 (DW1 Plug) SJ111308 (DW1 Connector for Signal Receptacle Side) SJ111309 (DW1 Connector for Signal Plug Side) SJ111543 (Shoulder Bolt) SJ111310 (DW1 Socket Contact for Signal) SJ111311 (DW1 Pin Contact Long for Signal) SJ111312 (DW1 Pin Contact Short for Signal)
Specifications	JACS-30177
Handling Instructions	JAHL-30177
Crimp Applicator Handling Instructions	T703488 (for semi-automatic crimping machine) *Please contact us regarding automatic crimp tool.
Hand Crimp Tool Handling Instructions	T700315

Notice:

1. The values specified in this brochure are only for reference. The products and their specifications are subject to change without notice. Contact our sales staff for further information before considering or ordering any of our products. For purchase, a product specification must be agreed upon.

2. Users are requested to provide protection circuits and redundancy circuits to ensure safety of the equipment, and sufficiently review the suitability of JAE's products to the equipment.

3. The products presented in this brochure are designed for the uses recommended below. We strongly suggest you contact our sales staff when considering use of any of the products in any other way than the recommended applications or for a specific use that requires an extremely high reliability.

(1) Applications that require consultation:

(i) Please contact us if you are considering use involving a quality assurance program that you specify or that is peculiar to the industry, such as:

Automotive electrical components, train control, telecommunications devices (mainline), traffic light control, electric power, combustion control, fire prevention or security systems, disaster prevention equipment, etc.

(ii) We may separately give you our support with a quality assurance program that you specify, when you think of a use such as :

Aviation or space equipment, submarine repeaters, nuclear power control systems, medical equipment for life support, etc.

(2) Recommended applications include:

Computers, office appliances, telecommunications devices (terminals, mobile units), measuring equipment, audiovisual equipment, home electric appliances, factory automation equipment, etc.

Japan Aviation Electronics Industry, Limited

Product Marketing Division

Aobadai Building, 3-1-19, Aobadai, Meguro-ku, Tokyo 153-8539

Phone: +81-3-3780-2882 FAX: +81-3-3780-2946

* The specifications in this brochure are subject to change without notice. Please contact JAE for information.