

power light source

LUXEON® K2 with TFFC

Introduction

LUXEON® K2 with TFFC is the most robust and powerful LED available offering the lowest cost of light with the widest operating range of any power LED.

LUXEON K2 with TFFC

- ♦ delivers more useable light
- ♦ optimizes applications to reduce size and cost
- ♦ enables more robust applications
- ♦ reduces thermal management engineering
- ♦ enables use of standard FR4 PCB technology
- ♦ simplifies manufacturing through the use of surface mount technology.

Technology Leadership

- ♦ Industry leading lumen performance, over 200 lumens in Cool-White at 1000mA
- ♦ Over 60 lm/W at 1000mA
- ♦ Highest operating junction temperature available, up to 150°C
- ♦ Highest Drive Currents—1500 mA
- ♦ Lowest Thermal Resistance—5.5°C/W
- ♦ Industry Best Moisture Sensitivity level—JEDEC 2a
- ♦ Lead free reflow solder JEDEC 020c compatible
- ♦ RoHS Compliant
- ♦ Autoclave compliant—JESD22 A-102
- ♦ Industry Best Lumen Maintenance—50,000 hours life at 1000 mA with 70% lumen maintenance

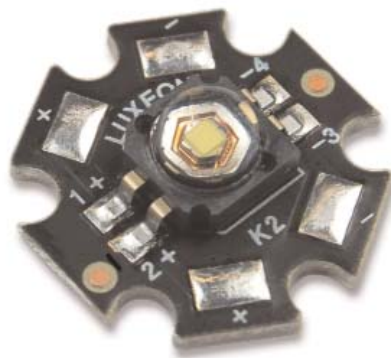
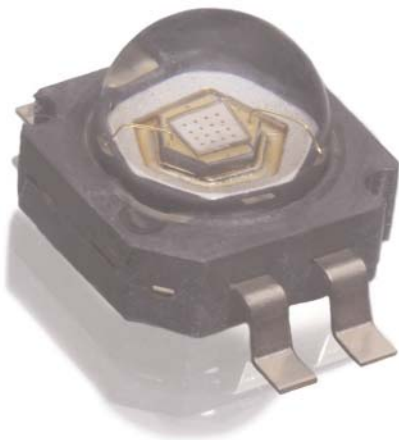


Table of Contents

Product Nomenclature	3
Average Lumen Maintenance Characteristics	3
Environmental Compliance	3
Flux Characteristics for LUXEON K2 with TFFC	4
Flux Characteristics for LUXEON K2 with TFFC Star	4
Optical Characteristics	5
Electrical Characteristics	6
Absolute Maximum Ratings	7
JEDEC Moisture Sensitivity	8
Reflow Soldering Characteristics	8
Mechanical Dimensions—SMT 4-Lead Gullwing Form	9
Solder Pad Layout—SMT Lead Form	10
Mechanical Dimensions—2-Lead Gullwing Form	11
Solder Pad Design—2-Lead Gullwing	12
Solder Pad Layout—2-Lead Gullwing	12
Pin Out Diagram—Gullwing Form	12
Mechanical Dimensions— LUXEON K2 with TFFC Star	13
Wavelength Characteristics	14
Typical Light Output Characteristics Over Temperature	14
Typical Forward Current Characteristics	15
Typical Relative Luminous Flux	15
Current Derating Curves	16
Typical Radiation Patterns	18
Emitter Reel Packaging	19
Product Binning and Labeling	20
Luminous Flux Bins	21
Forward Voltage Bins	22
White Binning Information	23
LUXEON K2 with TFFC Cool-White Bin Structure	24

Product Nomenclature

LUXEON K2 with TFFC LEDs are tested and binned at 1000mA.

The part number designation is explained as follows:

L X K 2 - A B C D - E F G H for Emitter
L 2 K 2 - A B C D - x x - E F G H for Star

Where:

A — designates radiation pattern (Value P for Lambertian emitter, M for Lambertian Star product)
B — designates color (see Philips Lumileds AB21)
C — designates color variant (0 for direct colors, C for Cool-White)
D — designates test current (value 4 for 1000 mA)
E — Reserved for future offerings
FGH — minimum luminous flux (lm) or radiometric power (mW) performance

x x - indicates array description for Level 2 Star Product (11 for 1x1 array)

Therefore, products tested and binned at 1000mA follow the part numbering scheme:

L X K 2 - P x x 4 - x x x x (L 2 K 2 - M x x 4 - 1 1 - x x x x for Star)

Average Lumen Maintenance Characteristics

Lifetime for solid-state lighting devices (LEDs) is typically defined in terms of lumen maintenance—the percentage of initial light output remaining after a specified period of time.

Philips Lumileds projects that white LUXEON K2 with TFFC products will deliver, on average, 70% lumen maintenance at 50,000 hours of operation at a forward current of 1000mA. This projection is based on constant current operation with junction temperature maintained at or below 120°C.

This performance is based on independent test data, Philips Lumileds historical data from tests run on similar material systems, and internal LUXEON reliability testing. Observation of design limits included in this data sheet is required in order to achieve this projected lumen maintenance.

More information about lifetime and reliability can be found in the LUXEON K2 Reliability Datasheet on the Philips Lumileds web site.

Environmental Compliance

Philips Lumileds is committed to providing environmentally friendly products to the solid-state lighting market. LUXEON K2 with TFFC LEDs are compliant to the European Union directives on the Restriction of Hazardous Substances in electronic equipment, namely the RoHS directive. Philips Lumileds will not intentionally add the following restricted materials to LUXEON K2 with TFFC LEDs: lead, mercury, cadmium, hexavalent chromium, polybrominated biphenyls (PBB) or polybrominated diphenyl ethers (PBDE).

Flux Characteristics for LUXEON K2 with TFFC Junction and Case Temperature = 25°C

Table 1.

Minimum Performance at Test Current			Typical Performance at Indicated Current		
Minimum Luminous Flux (lm)			Typical Luminous Flux (lm)		
Color	Part Number	at 1000mA	at 1500 mA	at 700 mA	at 350 mA
Cool-White	LXK2-PWC4-0200	200	275	170	95
	LXK2-PWC4-0180	180	250	150	85
	LXK2-PWC4-0160	160	220	135	75

Flux Characteristics for LUXEON K2 with TFFC Star Junction and Case Temperature = 25°C

Table 2.

Minimum Performance at Test Currents			Typical Performance at Indicated Current		
Minimum Luminous Flux (lm)			Typical Luminous Flux (lm)		
Color	Part Number	at 1000mA	at 1500 mA	at 700 mA	at 350 mA
Cool-White	L2K2-MWC4-11-0200	200	275	170	95
	L2K2-MWC4-11-0180	180	250	150	85
	L2K2-MWC4-11-0160	160	220	135	75

Notes for Tables 1 & 2:

- Minimum luminous flux performance guaranteed within published operating conditions. Philips Lumileds maintains a tolerance of $\pm 10\%$ on flux and power measurements of LUXEON K2 with TFFC.
- Typical luminous flux performance when device is operated within published operating conditions.
- LUXEON K2 with TFFC products with even higher luminous flux and radiometric power levels will become available in the future. Please consult Philips Lumileds or Future Electronics for more information.
- Radiation Pattern for all LUXEON K2 with TFFC products is Lambertian.
- LUXEON K2 with TFFC is tested and binned at 25°C with a 20ms monopulse test to minimize heating of the junction or case.
- Case Temperature should be measured in the center of the bottom of heatsink slug.

Optical Characteristics

LUXEON K2 with TFFC at Test Current^[1] Junction and Case Temperature = 25°C^[11]

Table 3.

Color	Dominant Wavelength ^[2] λ_D , Peak Wavelength ^[3] λ_P , or Color Temperature ^[4] CCT			Typical Spectral Half-width ^[6] (nm) $\Delta\lambda_{1/2}$	Typical Temperature Coefficient of Dominant Wavelength (nm/°C) $\Delta\lambda_D / \Delta T_J$	Typical Total Included Angle ^[7] (degrees) $\theta_{0.90V}$	Typical Viewing Angle ^[8] (degrees) $2\theta_{1/2}$
	Min.	Typ.	Max.				
Cool White	4500 K	6500 K	10000 K	-	-	160	120

Notes for Table 3:

1. Test current is 1000 mA for all LXXK2 - Pxx4 - xxxx Emitter products (L2K2 - Mxx4 - 11 - xxxx for LUXEON K2 with TFFC Star products).
2. Dominant wavelength is derived from the CIE 1931 Chromaticity diagram and represents the perceived color. Philips Lumileds maintains a tolerance of ± 0.5 nm for dominant wavelength measurements.
3. Philips Lumileds maintains a tolerance of ± 2 nm for peak wavelength measurements.
4. CCT $\pm 5\%$ tester tolerance
5. Typical CRI (Color Rendering Index) for Cool-White product is 70.
6. Spectral width at $\frac{1}{2}$ of the peak intensity.
7. Total angle at which 90% of total luminous flux is captured.
8. Viewing angle is the off axis angle from lamp centerline where the luminous intensity is $\frac{1}{2}$ of the peak value.
9. All white products are built with Indium Gallium Nitride (InGaN).
10. White power light sources represented here are IEC60825 class 2 for eye safety.
11. Luxeon K2 with TFFC is tested and binned at 25°C with a 20ms monopulse test to minimize heating of the junction or case.

Electrical Characteristics

Electrical Characteristics at 1000mA Junction and Case Temperature = 25°C^[4]

Table 4.

Color	Forward Voltage V_f ^[1] (V)			Typical Dynamic Resistance ^[2] (Ω) R_D	Typical Temperature Coefficient of Forward Voltage (mV/°C) $\Delta V_F / \Delta T_J$	Typical Thermal Resistance Junction to Case (°C/W) $R\theta_{J-C}$
	Min.	Typ.	Max.			
Cool-White ^[3]	3.03	3.65	4.71	0.45	-2.8	5.5 (9.5 for Star)

Notes for Table 4:

1. Philips Lumileds maintains a tolerance of $\pm 0.06V$ on forward voltage measurements
2. Dynamic resistance is the inverse of the slope in linear forward voltage model for LEDs. See figure 13.
3. The forward voltage of the LUXEON K2 with TFFC LED will reduce by up to 0.50V at 1000mA during the first few hours of operation after SMT reflow. Due to this effect, Philips Lumileds recommends current source drive for consistent and reliable performance. Cross connected series/parallel arrays or voltage drivers which could result in current hogging or variation in drive current are not recommended. Please consult your Philips Lumileds authorized distributor or Philips Lumileds Sales Representative for further information.
4. Luxeon K2 with TFFC is tested and binned at 25°C with a 20ms monopulse test to minimize heating of the junction or case.

Typical Electrical Characteristics Junction and Case Temperature = 25°C

Table 5.

Color	Typical Forward Voltage V_f (V)		
	at 1500mA	at 700mA	at 350mA
Cool-White	3.85	3.5	3.3

Absolute Maximum Ratings^[3]

Table 6.

Parameter	Cool-White Value
DC Forward Current (mA)	1500
Peak Pulsed Forward Current (mA)	1500
Average Forward Current (mA)	1500
ESD Sensitivity	> 2,000 V HBM Class 2 JESD22-A114-B
LED Junction Temperature ^[1]	150°C
Storage Temperature	-40°C - 185°C
Soldering Temperature	JEDEC 020c 260°C
Allowable Reflow Cycles	3
Autoclave Conditions	121°C at 2 ATM, 100% RH for 72 hours max
Reverse Voltage (Vr)	See Note 2

Notes for Table 6:

1. Proper current derating and thermal management must be observed to maintain junction temperature below the maximum.
2. LEDs are not designed to be driven in reverse bias.
3. Stresses in excess of the absolute maximum ratings can cause damage to the emitter. Maximum Rating limits apply to each parameter in isolation, all parameters having values within the Current Derating Curve. It should not be assumed that limiting values of more than one parameter can be applied to the product at the same time. Exposures to the absolute maximum ratings for extended periods can adversely affect device reliability.

JEDEC Moisture Sensitivity

Table 7.

Level	Soak Requirements					
	Floor Life		Standard		Accelerated Environment	
	Time	Conditions	Time (hours)	Conditions	Time (hours)	Conditions
2a	4 weeks	$\leq 30^{\circ}\text{C}$ / 60% RH	696 ⁽¹⁾ + 5/-0	30°C / 60% RH	120 +1/-0	60°C / 60% RH

Note for Table 7:

- The standard soak time includes a default value of 24 hours for semiconductor manufacturer's exposure time (MET) between bake and bag and includes the maximum time allowed out of the bag at the distributor's facility.

Reflow Soldering Characteristics^[1]

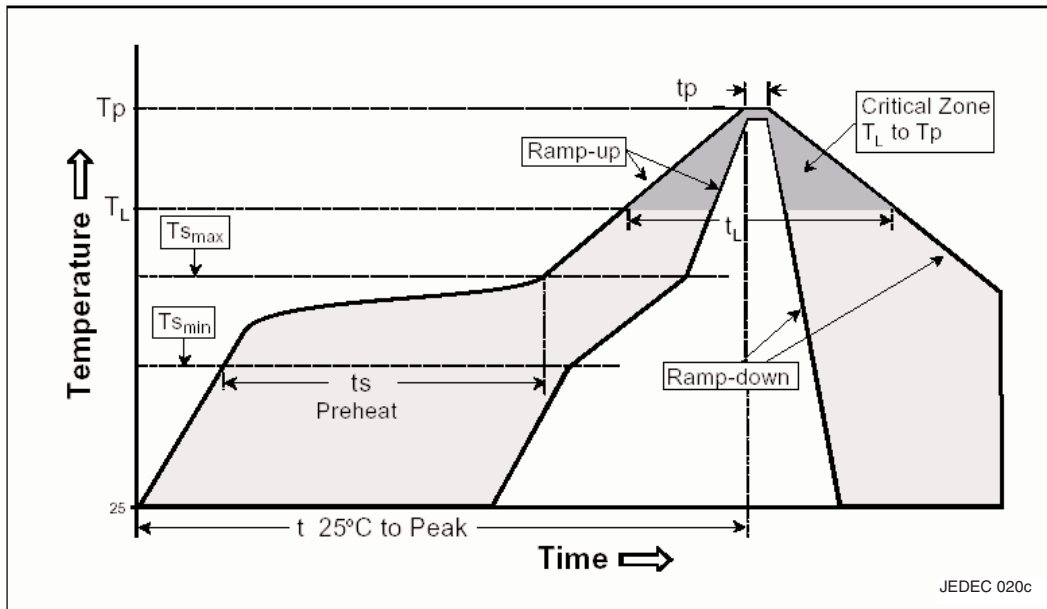


Table 8.

Profile Feature	Lead Free Assembly
Average Ramp-Up Rate ($T_{s_{max}}$ to T_p)	3°C / second max
Preheat Temperature Min ($T_{s_{min}}$)	150°C
Preheat Temperature Max ($T_{s_{max}}$)	200°C
Preheat Time ($t_{s_{min}}$ to $t_{s_{max}}$)	60 - 180 seconds
Temperature (T_l)	217°C
Time Maintained Above Temperature (T_l)	60 - 150 seconds
Peak / Classification Temperature (T_p)	260°C
Time Within 5°C of Actual Peak Temperature (T_p)	20 - 40 seconds
Ramp - Down Rate	6°C / second max
Time 25°C to Peak Temperature	8 minutes max

Notes for Table 8:

- All temperatures refer to topside of the package, measured on the package body surface.

Mechanical Dimensions—SMT 4-Lead Gullwing Form

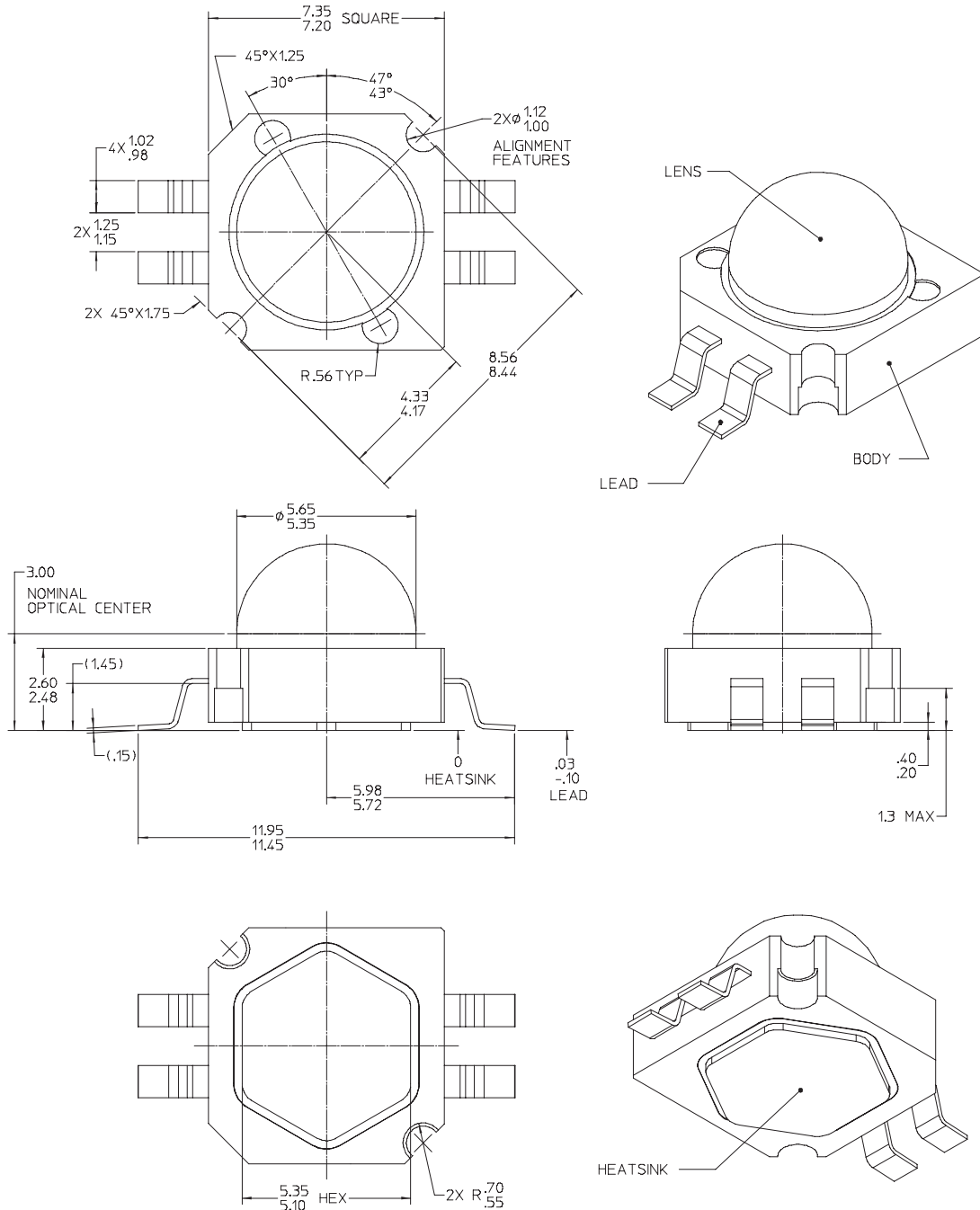


Figure 1. 4-lead Gullwing Package Outline Drawing.

Notes for Figure 1:

1. The anode side of the device is denoted by the chamfer on the part body. Electrical insulation between the case and the board is required—slug of the device is not electrically neutral. Do not electrically connect either the anode or cathode to the slug.
2. Do not handle the device by the lens except as described in Philips Lumileds document AB29.
3. Drawings not to scale.
4. All dimensions are in millimeters.
5. All dimensions without tolerances are for reference only.
6. Recommended solder paste thickness of 0.15mm.

Solder Pad Design—SMT Lead Form

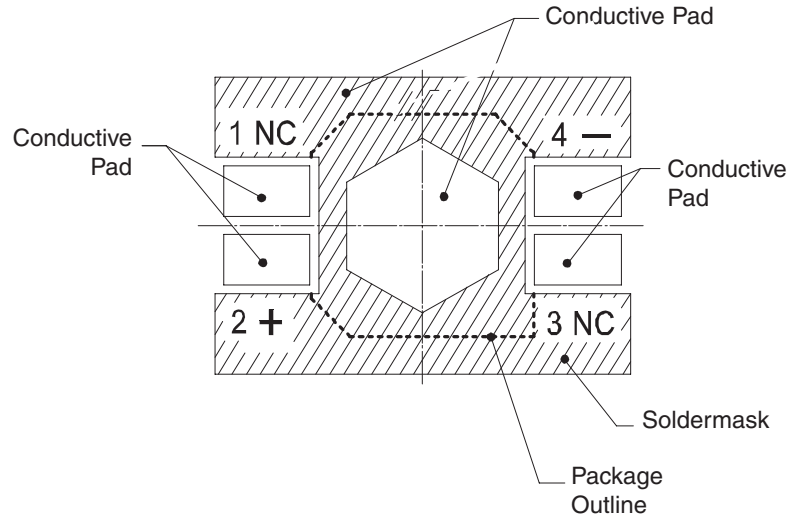


Figure 2. 4-Lead Gullwing Solder Pad Design.

Notes for Figure 2:

1. Electrical isolation is required between signal leads and hexagonal heat slug contact.
2. For optimal thermal performance, maximize board metallization at hexagonal heat slug contact.

Solder Pad Layout—SMT Lead Form

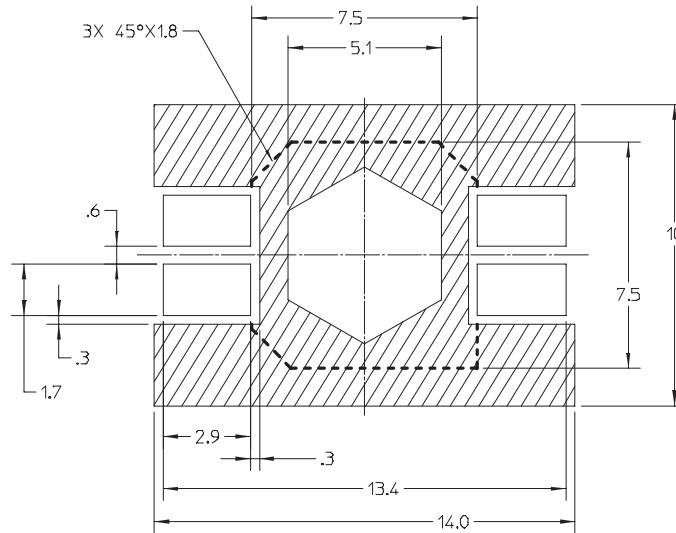


Figure 3. 4-Lead Gullwing Package Solder Pad Layout.

Pin Out Diagram

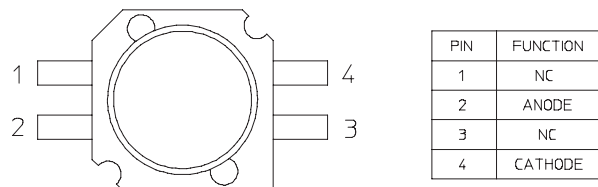


Figure 4. 4-Lead Gullwing Pin Out Diagram.

Mechanical Dimensions—2-Lead Gullwing Form^{[7] [8]}

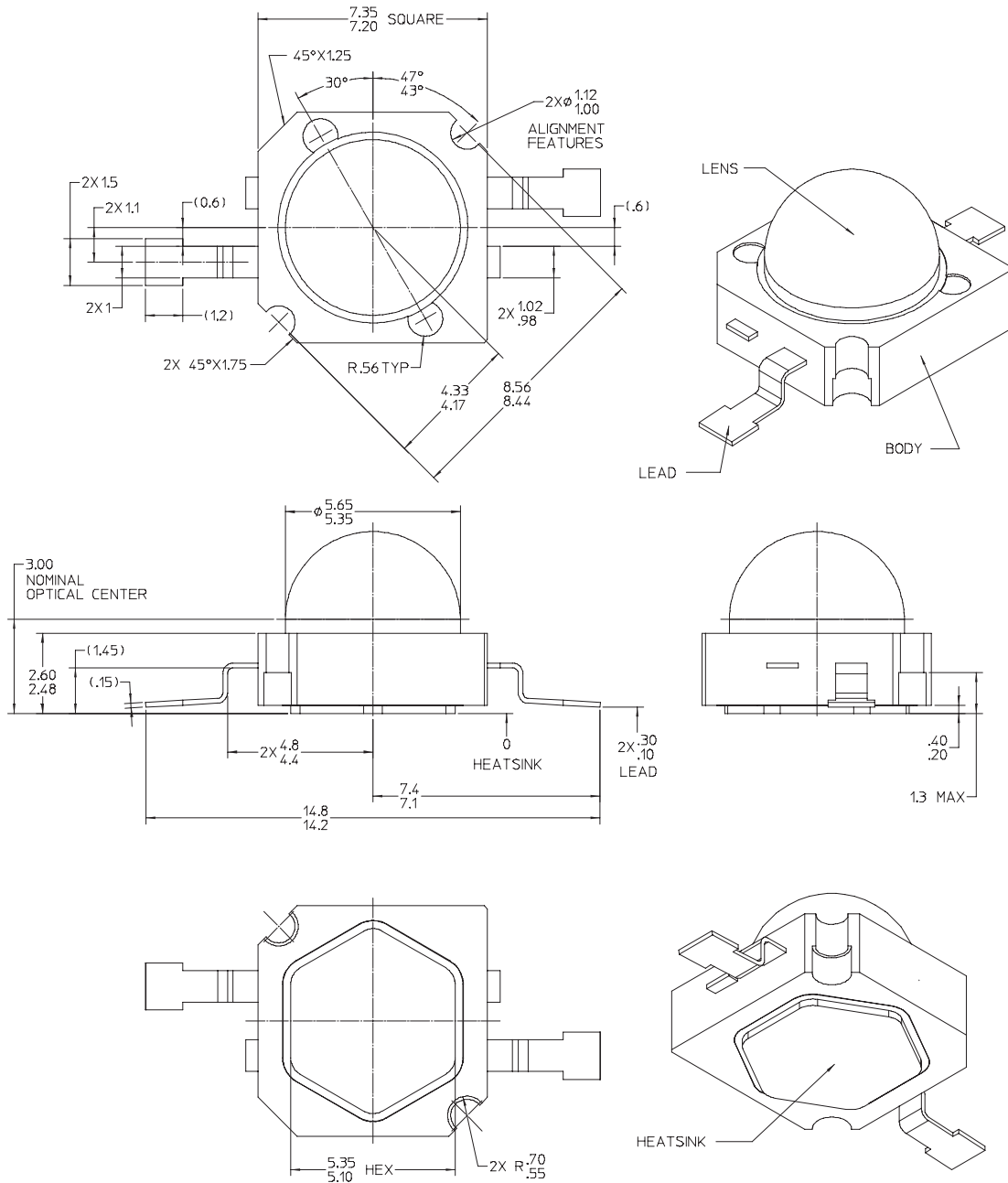


Figure 5. 2-Lead Gullwing Package Outline Drawing.

Notes for Figure 5:

1. The anode side of the device is denoted by the chamfer on the part body. Electrical insulation between the case and the board is required—slug of the device is not electrically neutral. Do not electrically connect either the anode or cathode to the slug.
2. Do not handle the device by the lens except as described in Philips Lumileds document AB29—care must be taken to avoid damage to the lens or the interior of the device that can be damaged by excessive force to the lens.
3. Drawings not to scale.
4. All dimensions are in millimeters.
5. All dimensions without tolerances are for reference only.
6. Recommended solder paste thickness of 0.15mm.
7. Available as a custom part number, contact your local sales representative for more information.
8. The 2-Lead Gullwing part is not recommended for use in solder re-flow systems. Mount these parts with a thermal adhesive and hot bar soldering. For conventional reflow surface-mounting, use 4-Lead Gullwing Form.

Wavelength Characteristics

Cool-White at Test Current Junction and Case Temperature = 25°C

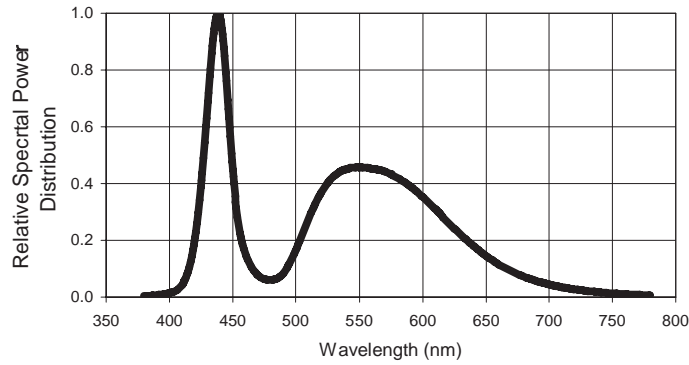


Figure 10. Cool-White color spectrum of typical CCT part, integrated measurement.

Typical Light Output Characteristics Over Temperature

Cool-White at Test Current

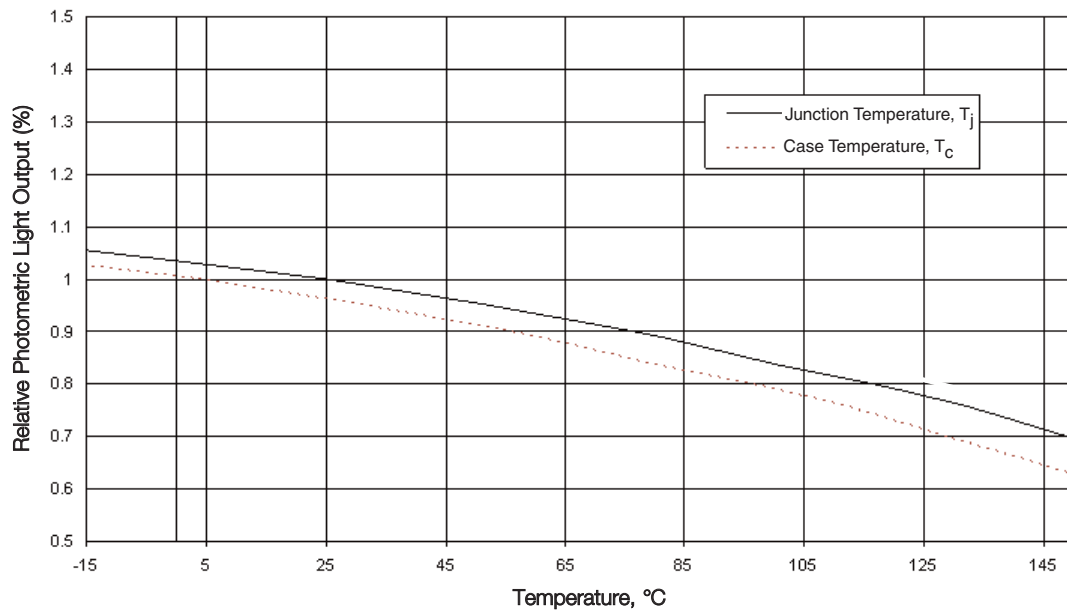


Figure 11. Relative light output vs. temperature for white.

Typical Forward Current Characteristics Junction and Case Temperature = 25°C

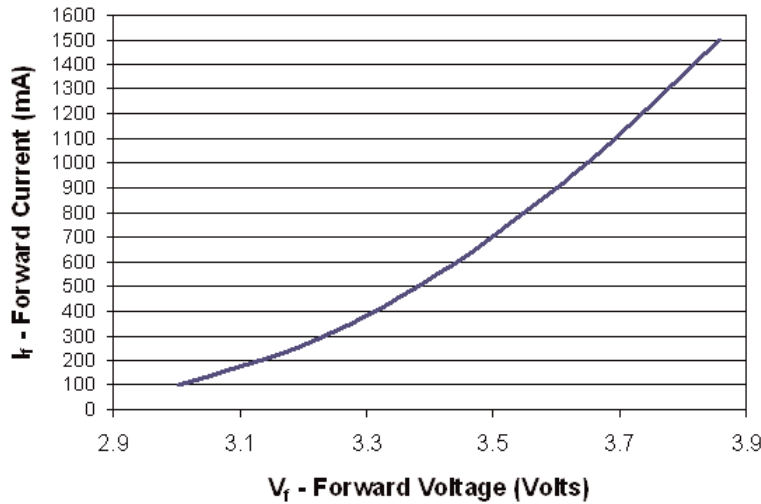


Figure 12. Forward current vs. forward voltage for white.

Typical Relative Luminous Flux

Relative Luminous Flux vs. Forward Current Junction and Case Temperature = 25°C

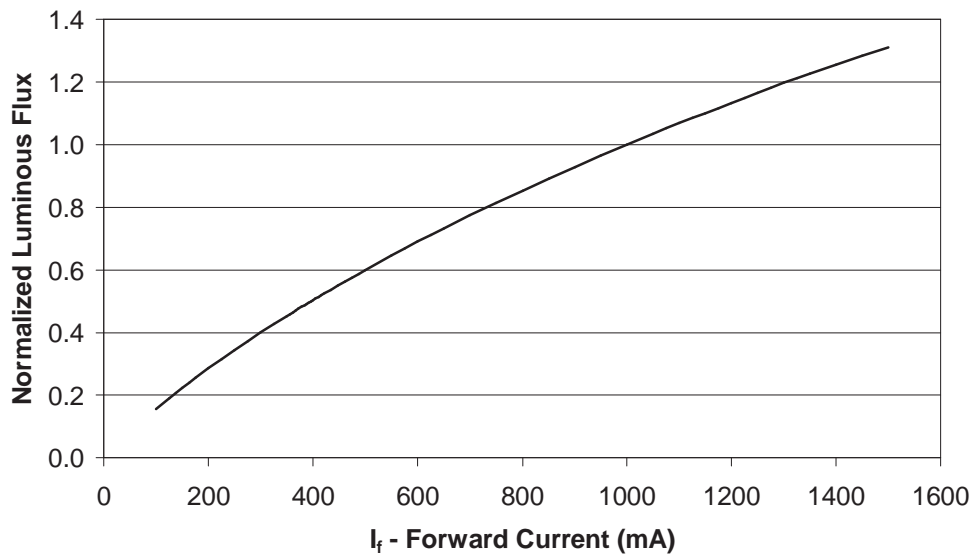


Figure 13. Relative luminous flux or radiometric power vs. forward current for white at 20ms monopulse, test current 1000 mA.

Notes for Figures 12 and 13:

1. Driving these high power devices at currents other than the test condition (1000 mA) may be subject to variation in performance.
2. It is not recommended to operate these devices at less than 100mA drive currents. Pulse width modulation (PWM) is recommended for dimming effects.
3. LUXEON K2 with TFFC is tested and binned at 25°C with a 20ms monopulse test to minimize heating of the junction or case.

Current Derating Curves

Note: Current derating curves are intended to represent the operational limits of the product as identified in Table 6. For lumen maintenance information and conditions, please refer to the Average Lumen Maintenance Characteristics section in this document.

Current Derating Curve for 1500 mA Drive Current Cool-White

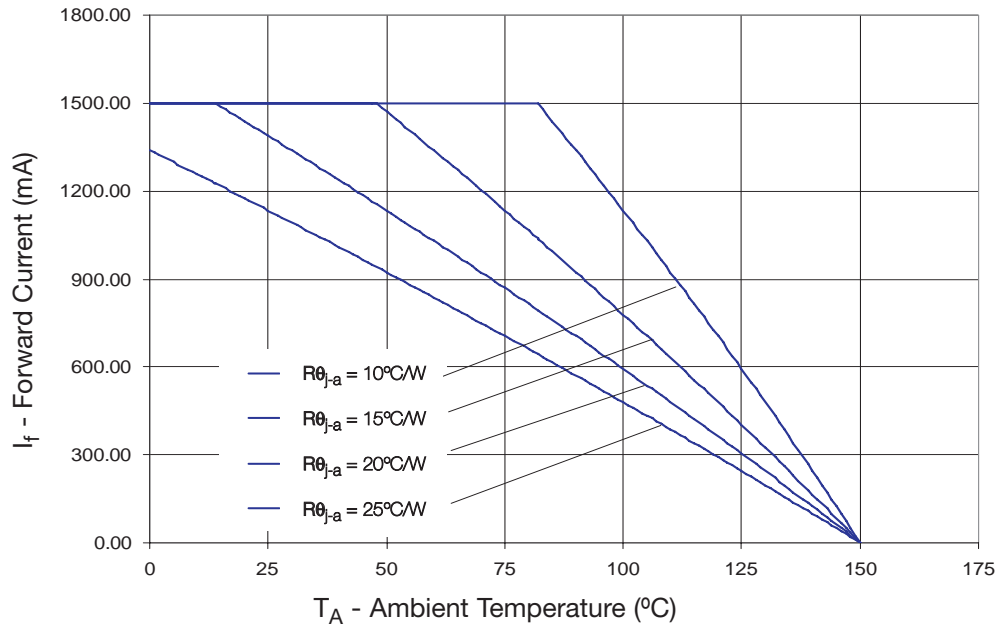


Figure 14: Maximum forward current vs. ambient temperature, based on $T_{JMAX} = 150^\circ\text{C}$.

Current Derating Curve for 1000 mA Drive Current Cool-White

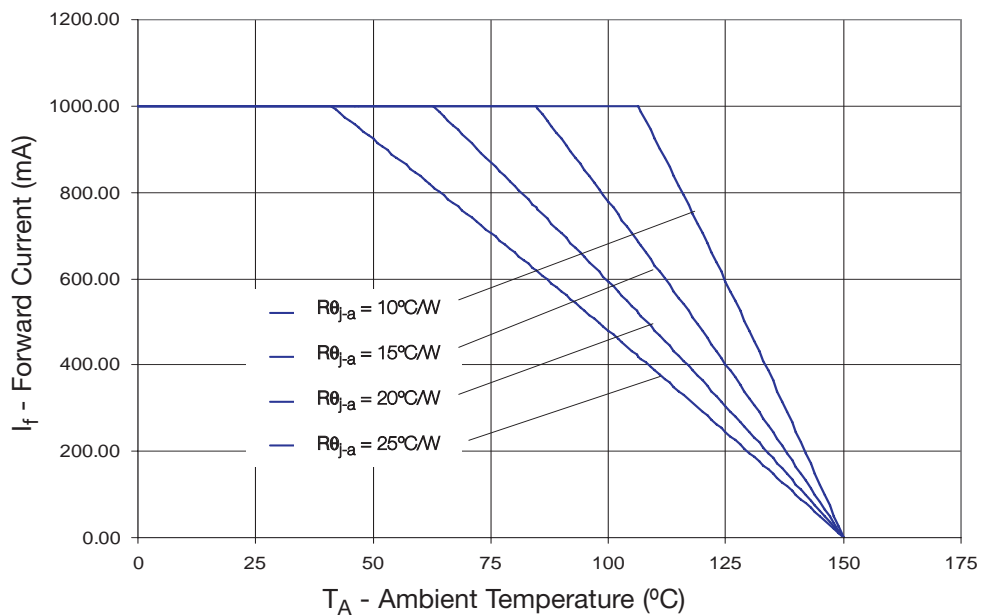


Figure 15: Maximum forward current vs. ambient temperature, based on $T_{JMAX} = 150^\circ\text{C}$.

Current Derating Curves, Continued

Current Derating Curve for 700 mA Drive Current Cool-White

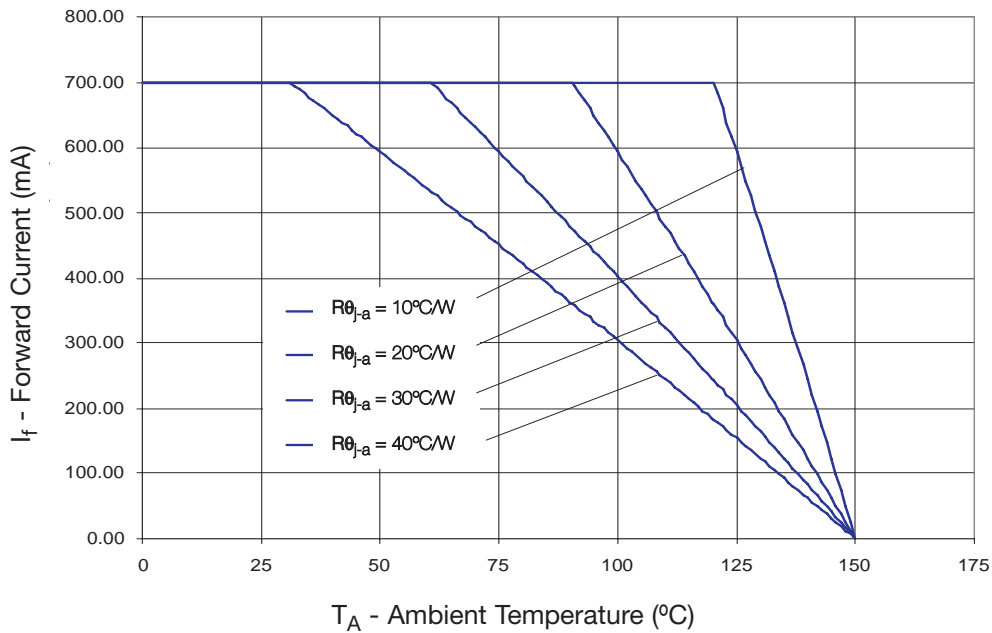


Figure 16: Maximum forward current vs. ambient temperature, based on $T_{JMAX} = 150^\circ\text{C}$.

Current Derating Curve for 350 mA Drive Current Cool-White

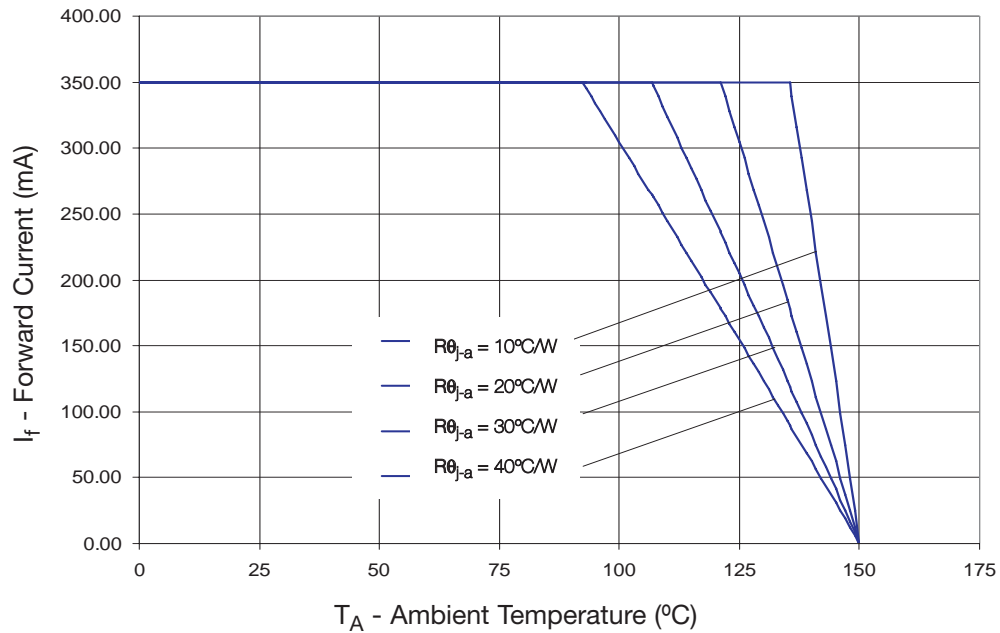


Figure 17: Maximum forward current vs. ambient temperature, based on $T_{JMAX} = 150^\circ\text{C}$.

Typical Radiation Patterns

Typical Representative Spatial Radiation Pattern for White Lambertian

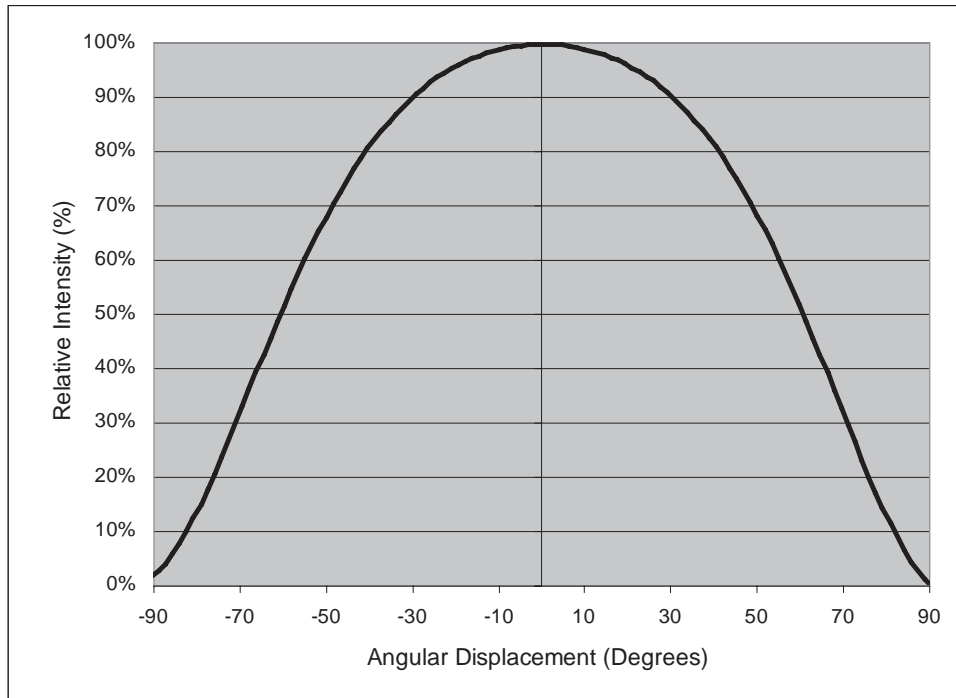


Figure 18: Typical Representative Spatial Radiation Pattern for White Lambertian.

Please contact your Philips Lumileds representative to obtain optimized optical solutions that have been designed for LUXEON K2 with TFFC.

Typical Polar Radiation Pattern for White Lambertian

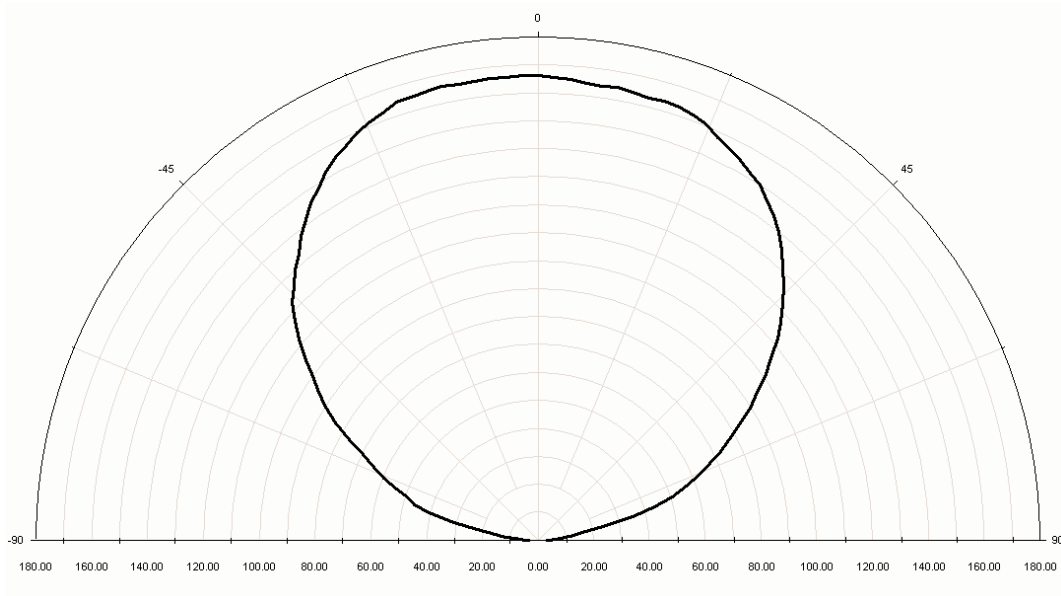
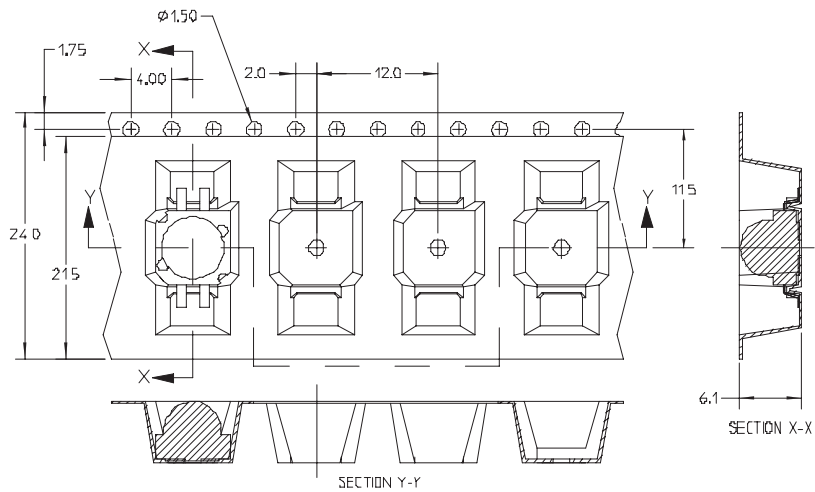
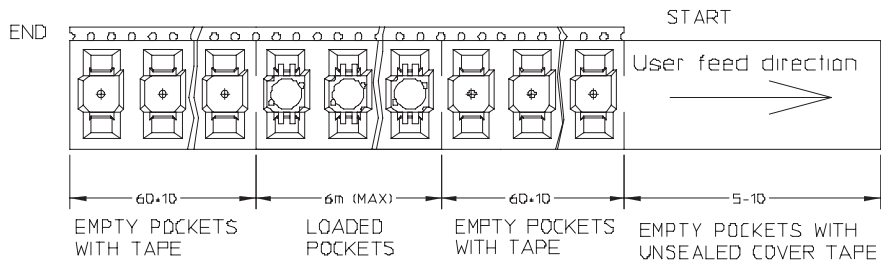
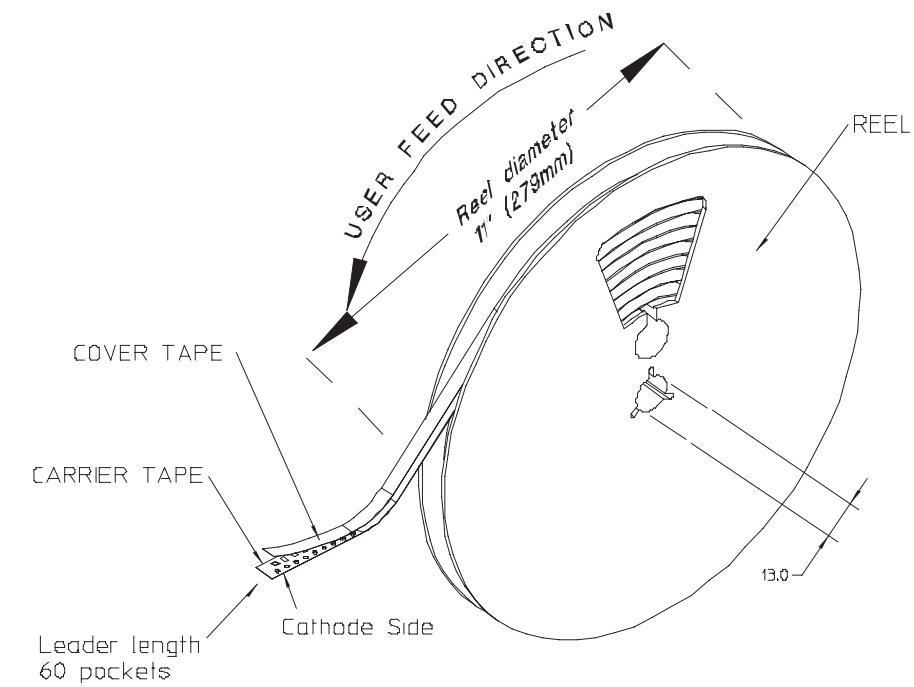


Figure 19: Typical Polar Radiation Pattern for White Lambertian.

Emitter Reel Packaging



Product Binning and Labeling

Purpose of Product Binning

In the manufacturing of semiconductor products, there is a variation of performance around the average values given in the technical data sheets. For this reason, Philips Lumileds bins the LED components for luminous flux, color and forward voltage (V_F).

Decoding Product Bin Labeling

LUXEON K2 with TFFC Emitters are labeled using a three or four digit alphanumeric code (CAT code) depicting the bin values for emitters packaged on a single reel. All emitters packaged within a reel are of the same 3-variable bin combination. Using these codes, it is possible to determine optimum mixing and matching of products for consistency in a given application.

Format of Labeling for Emitters

Reels of Cool-White Emitters are labeled with a four digit alphanumeric CAT code following the format below.

ABCD

A = Flux bin (J, H, J, K etc.)

B and C = Color bin (W0, U0, V0 etc.)

C = V_F bin (D, E, F, G etc.)

Luminous Flux Bins

Table 9 lists the standard photometric luminous flux bins for LUXEON K2 with TFFC emitters (at test current).

Although several bins are outlined, product availability in a particular bin varies by production run and by product performance. Not all bins are available in all colors.

Table 9.

Flux Bins		
Bin Code	Minimum Photometric Flux (lm)	Maximum Photometric Flux (lm)
A	8.2	10.7
B	10.7	13.9
C	13.9	18.1
D	18.1	23.5
E	23.5	30
F	30	40
G	40	50
H	50	60
J	60	70
K	70	80
L	80	90
M	90	100
N	100	120
P	120	140
Q	140	160
R	160	180
S	180	200
T	200	220
U	220	260
V	260	300
W	300	350
X	350	N/A

Note: Please see Table 1 for binning parameters and tolerances.

Forward Voltage Bins

Although several bins are outlined, product availability in a particular bin varies by production run and by product performance.

Table 10.

V_f Bins

Bin Code	Minimum Forward Voltage (V)	Maximum Forward Voltage (V)
A	2.31	2.55
B	2.55	2.79
C	2.79	3.03
D	3.03	3.27
E	3.27	3.51
F	3.51	3.75
G	3.75	3.99
H	3.99	4.23
J	4.23	4.47
K	4.47	4.71

Note: Please see Table 4 for more information on Forward Voltage binning.

White Binning Information

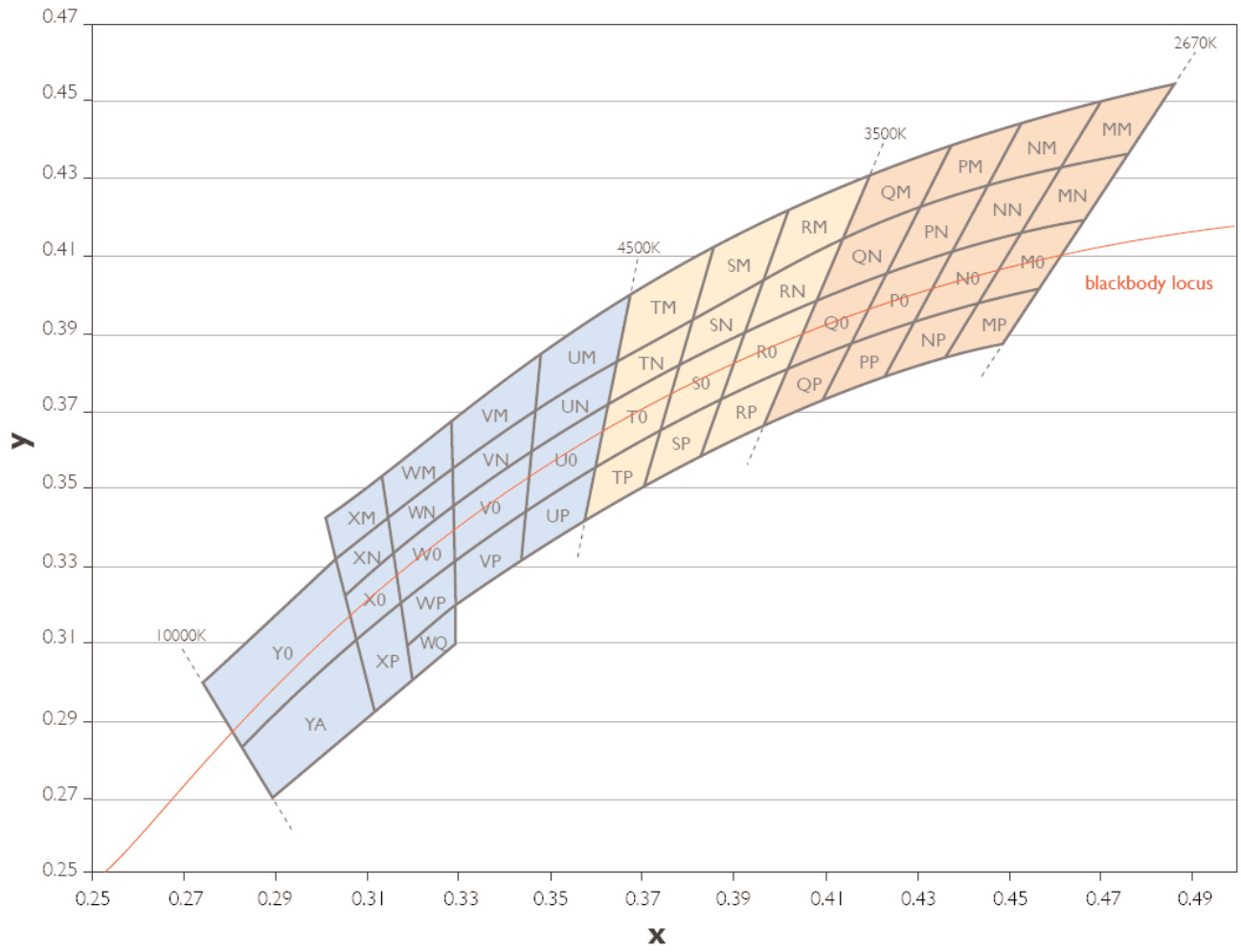


Figure 20: White Binning Structure

LUXEON K2 with TFFC Cool-White Bin Structure

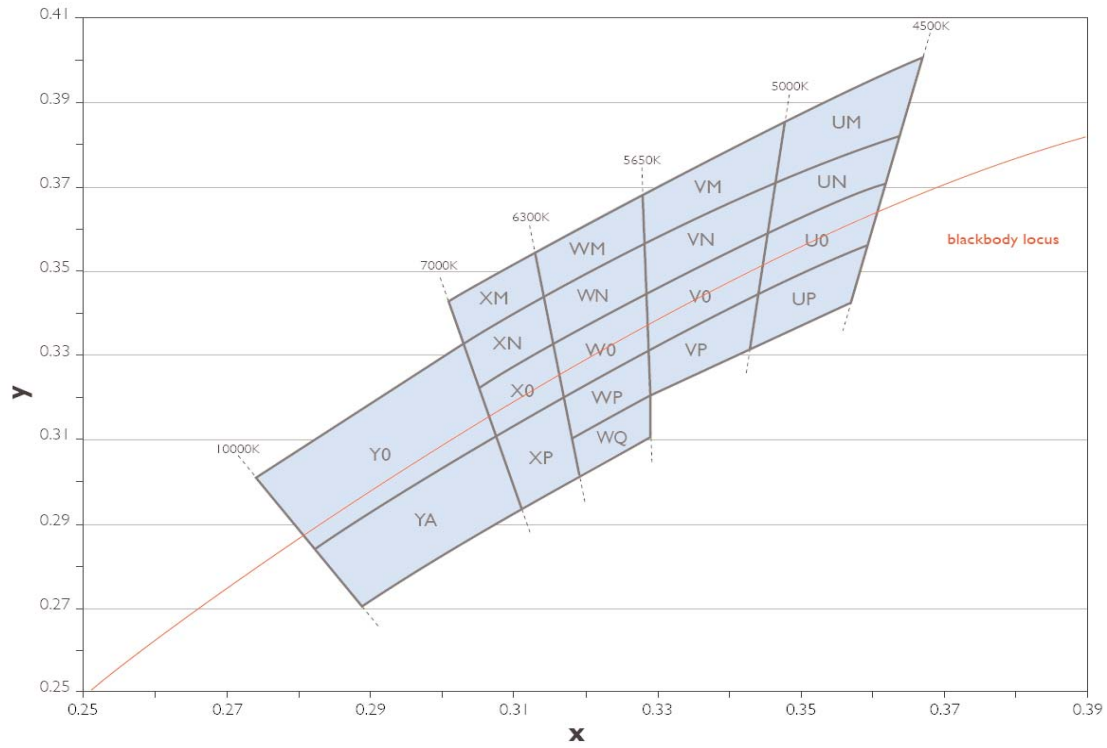


Figure 21: Cool-White Bin Structure

LUXEON K2 with TFFC Cool-White Bin Structure, Continued

Cool-White LUXEON K2 with TFFC Emitters are tested and binned by x,y coordinates.

19 Color Bins, CCT Range 10,000K to 4,500K

Table 11.

Cool White Bin Structure							
Bin Code	X	Y	Typical CCT (K)	Bin Code	X	Y	Typical CCT (K)
Y0	0.274238	0.300667	8000	WQ	0.318606	0.310201	6000
	0.303051	0.332708			0.329393	0.320211	
	0.307553	0.310778			0.329544	0.310495	
	0.282968	0.283772			0.319597	0.301303	
YA	0.282968	0.283772	8000	VM	0.328636	0.368952	5300
	0.307553	0.310778			0.348147	0.385629	
	0.311163	0.293192			0.346904	0.371742	
	0.289922	0.270316			0.328823	0.356917	
XM	0.301093	0.342244	6700	VN	0.328823	0.356917	5300
	0.313617	0.354992			0.346904	0.371742	
	0.314792	0.344438			0.345781	0.359190	
	0.303051	0.332708			0.329006	0.345092	
XN	0.303051	0.332708	6700	V0	0.329006	0.345092	5300
	0.314792	0.344438			0.345781	0.359190	
	0.316042	0.333222			0.344443	0.344232	
	0.305170	0.322386			0.329220	0.331331	
X0	0.305170	0.322386	6700	VP	0.329220	0.331331	5300
	0.316042	0.333222			0.344443	0.344232	
	0.317466	0.320438			0.343352	0.332034	
	0.307553	0.310778			0.329393	0.320211	
XP	0.307553	0.310778	6700	UM	0.348147	0.385629	4750
	0.317466	0.320438			0.367294	0.400290	
	0.319597	0.301303			0.364212	0.382878	
	0.311163	0.293192			0.346904	0.371742	
WM	0.313617	0.354992	6000	UN	0.346904	0.371742	4750
	0.328636	0.368952			0.364212	0.382878	
	0.328823	0.356917			0.362219	0.371616	
	0.314792	0.344438			0.345781	0.359190	
WN	0.314792	0.344438	6000	U0	0.345781	0.359190	4750
	0.328823	0.356917			0.362219	0.371616	
	0.329006	0.345092			0.359401	0.355699	
	0.316042	0.333222			0.344443	0.344232	
W0	0.316042	0.333222	6000	UP	0.344443	0.344232	4750
	0.329006	0.345092			0.359401	0.355699	
	0.329220	0.331331			0.357079	0.342581	
	0.317466	0.320438			0.343352	0.332034	
WP	0.317466	0.320438	6000				
	0.329220	0.331331					
	0.329393	0.320211					
	0.318606	0.310201					

Note for Table 11:

1. Philips Lumileds maintains a tester tolerance of ± 0.005 on x, y color coordinates.



Company Information

LUXEON® is developed, manufactured and marketed by Philips Lumileds Lighting Company. Philips Lumileds is a world-class supplier of Light Emitting Diodes (LEDs) producing billions of LEDs annually. Philips Lumileds is a fully integrated supplier, producing core LED material in all three base colors (Red, Green, Blue) and White. Philips Lumileds has R&D centers in San Jose, California and in The Netherlands and production capabilities in San Jose and Penang, Malaysia. Founded in 1999, Philips Lumileds is the high-flux LED technology leader and is dedicated to bridging the gap between LED technology and the lighting world. Philips Lumileds technology, LEDs and systems are enabling new solid-state lighting applications and markets.

Philips Lumileds may make process or materials changes affecting the performance or other characteristics of our products. These products supplied after such changes will continue to meet published specifications, but may not be identical to products supplied as samples or under prior orders.



WWW.LUXEON.COM
WWW.FUTURELIGHTINGSOLUTIONS.COM

FOR TECHNICAL ASSISTANCE OR THE LOCATION OF YOUR NEAREST SALES OFFICE CONTACT ANY OF THE FOLLOWING:

NORTH AMERICA:
1 888 589 3662
AMERICAS@FUTURELIGHTINGSOLUTIONS.COM

EUROPE:
00 800 443 88 873
EUROPE@FUTURELIGHTINGSOLUTIONS.COM

ASIA PACIFIC:
800 5864 5337
ASIA@FUTURELIGHTINGSOLUTIONS.COM

JAPAN:
800 5864 5337
JAPAN@FUTURELIGHTINGSOLUTIONS.COM

©2007 Philips Lumileds Lighting Company. All rights reserved. Product specifications are subject to change without notice. Luxeon is a registered trademark of the Philips Lumileds Lighting Company in the United States and other countries.
