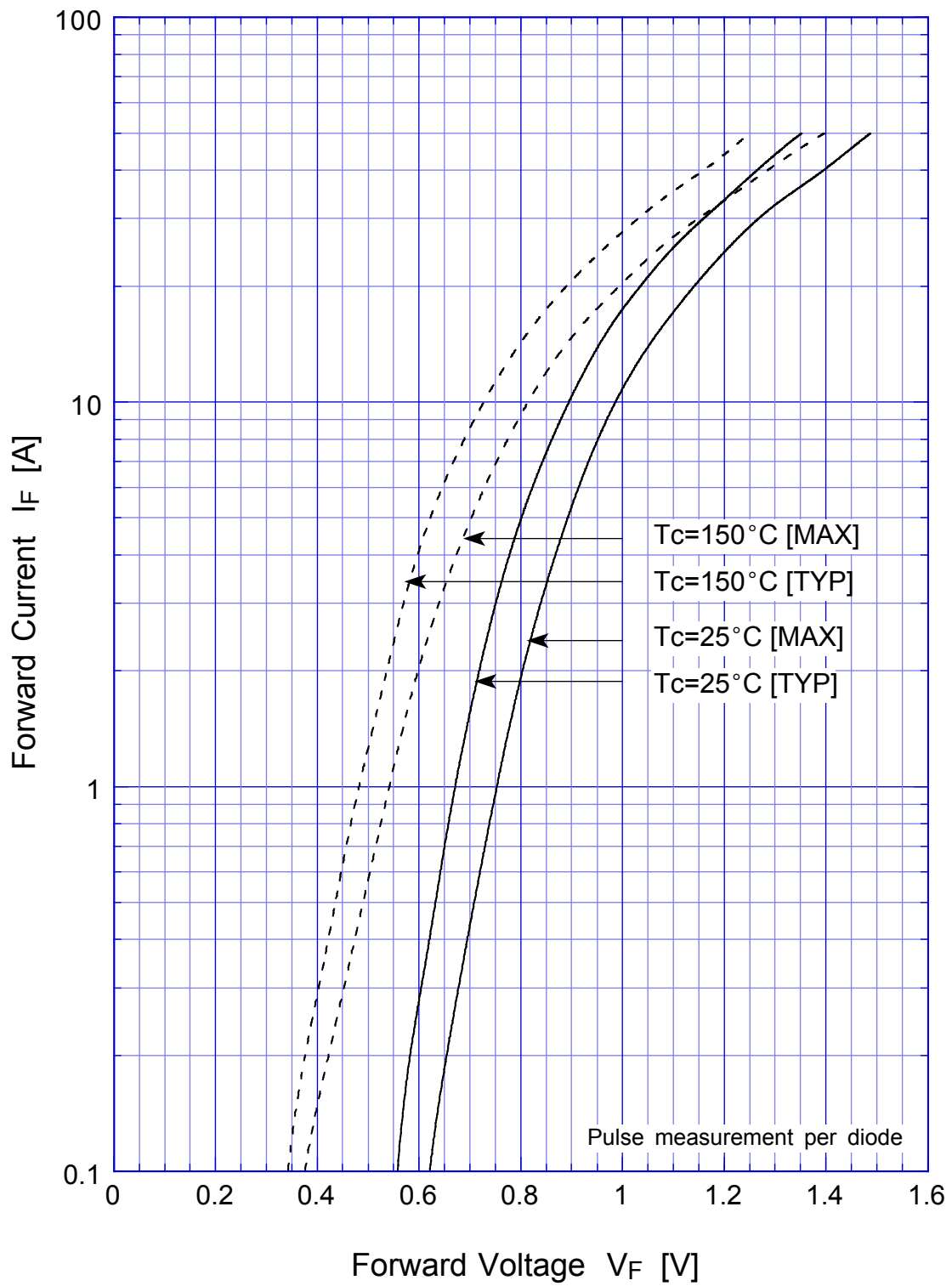
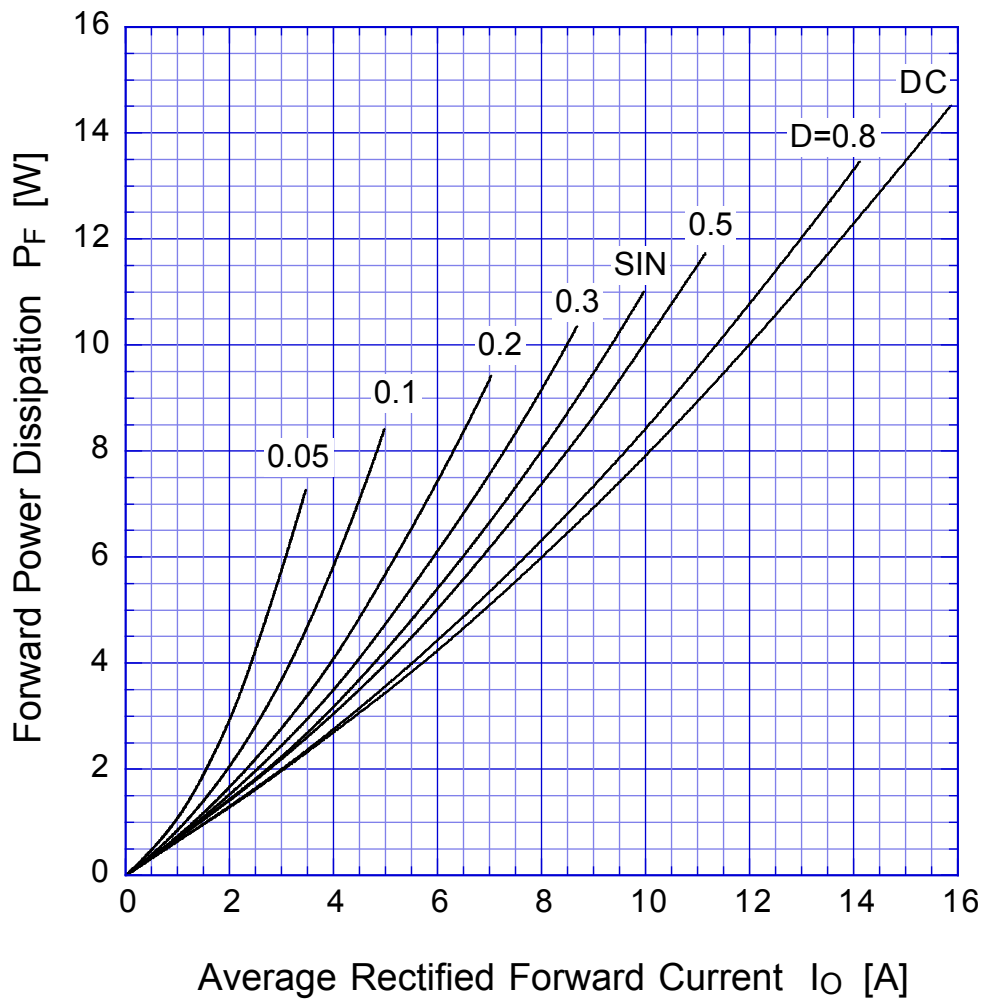


D10L20U

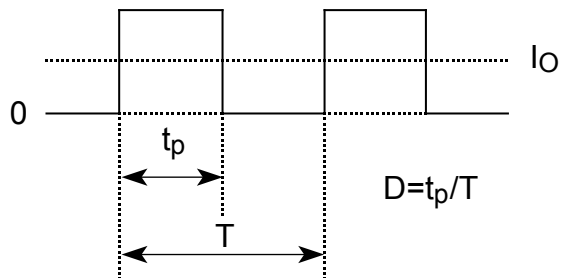
Forward Voltage



D10L20U Forward Power Dissipation

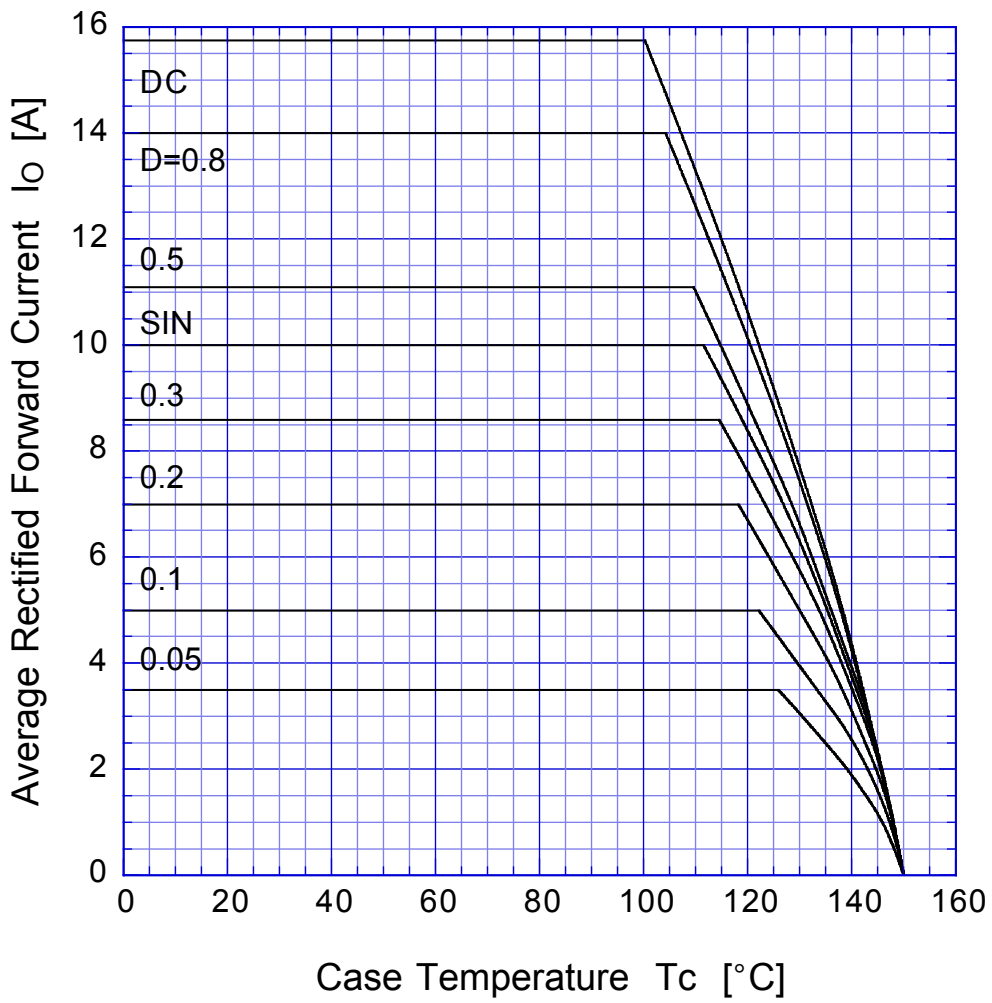


$T_j = T_{jmax}$

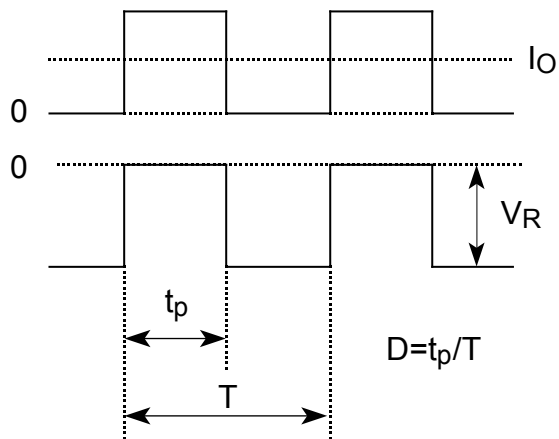


D10L20U

Derating Curve

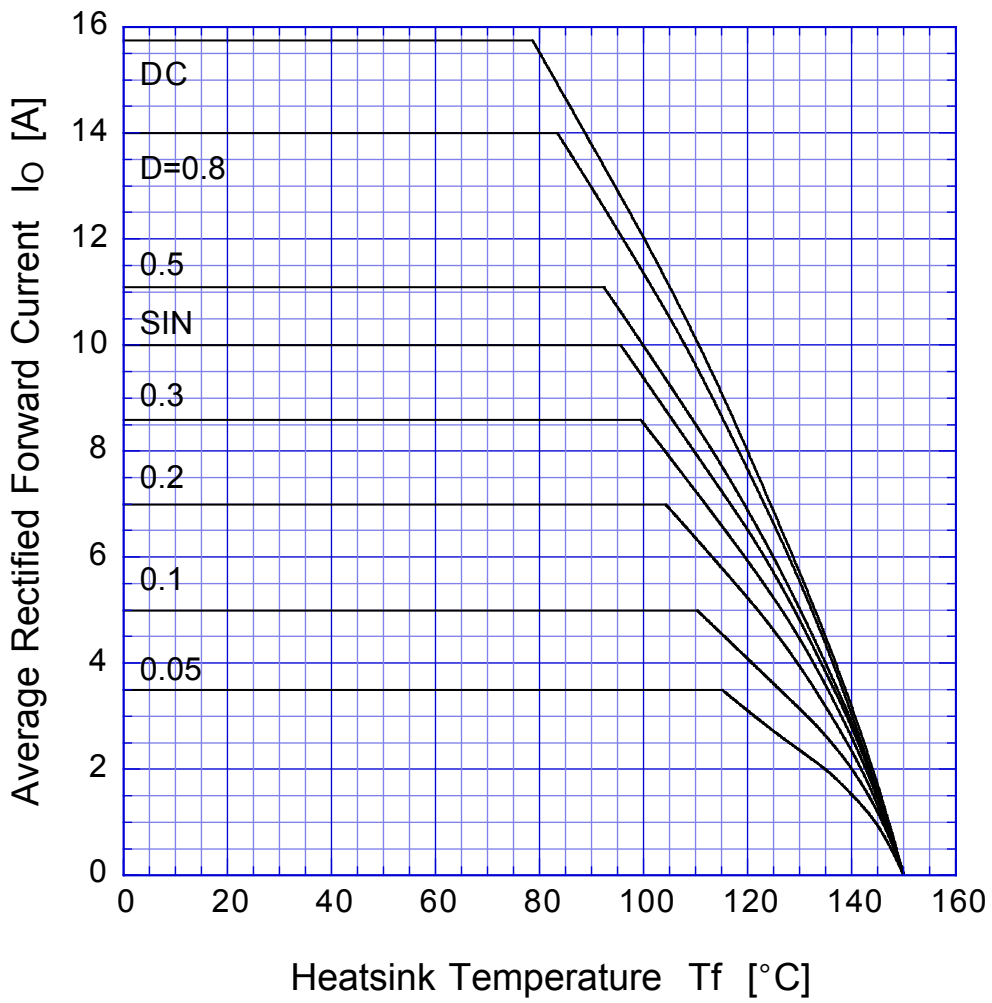


$$V_R = V_{RM}$$

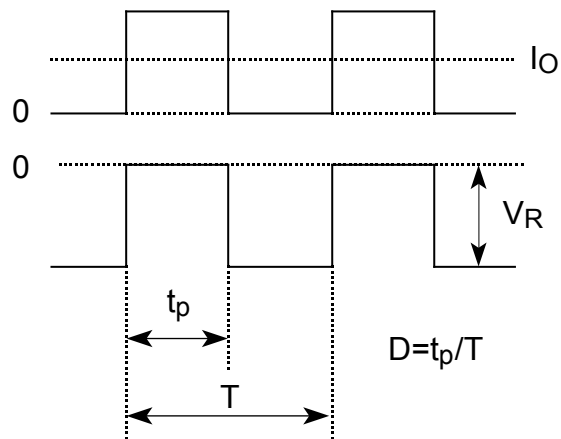


D10L20U

Derating Curve

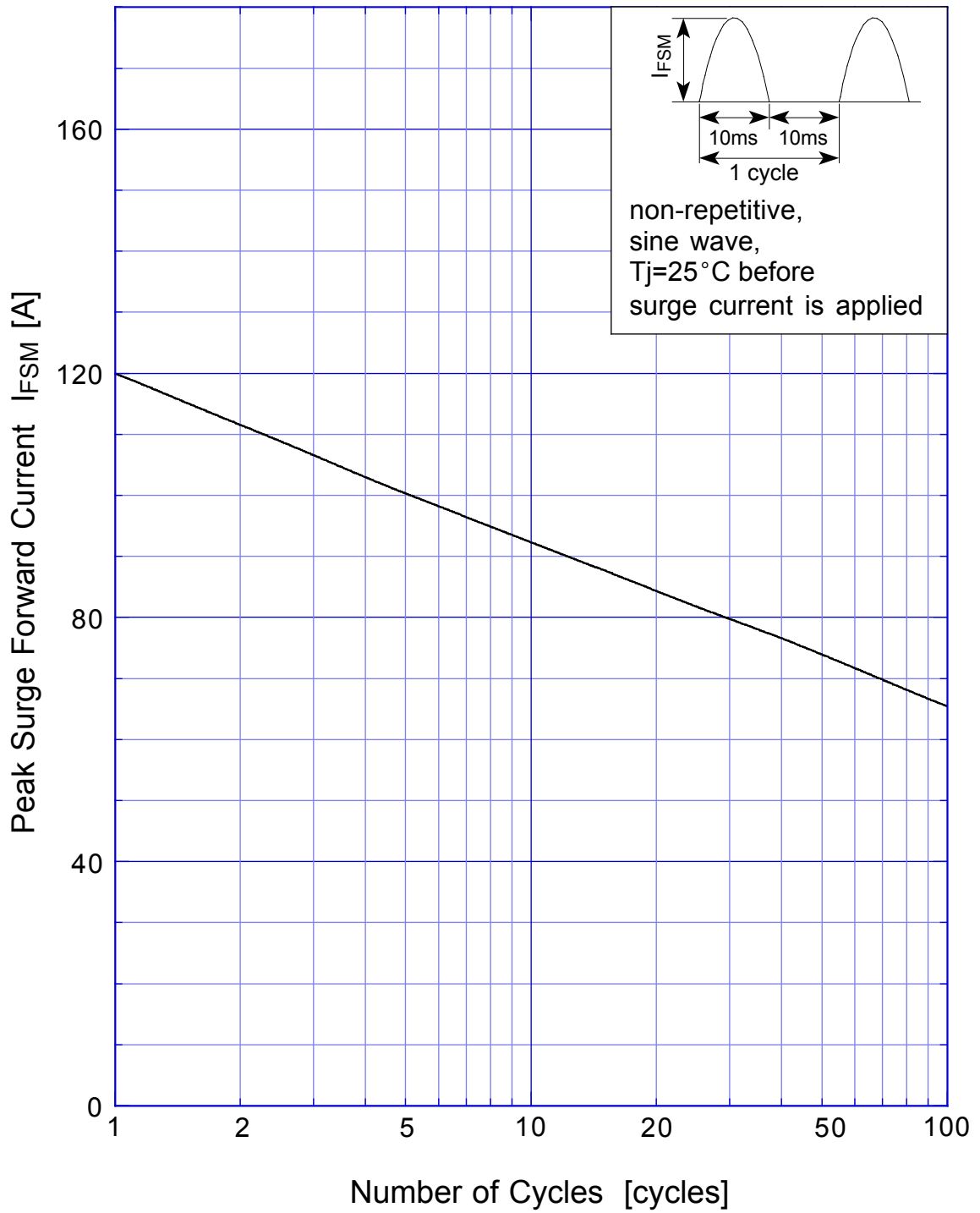


$$V_R = V_{RM}$$



D10L20U

Peak Surge Forward Capability



D10L20U Junction Capacitance

