

CX-8045G

SMD (Leadless Type)

■Features

- Crystal Unit for Audio-Visual · Office Equipment
- Compact, thin. (8.0×4.5×1.8mm)
- Ceramic package.
- A terminal is already equipped with a lead-free capability.
- Reflow is possible.



Original Size

■Specifications

Type	CX-8045G	
Frequency Range	8000~47000kHz	40~70MHz
Overtone Order	Fundamental	3rd.O.T
Frequency Tolerance (at 25°C)	$\pm 15, \pm 30, \pm 50 \times 10^{-6}$	
Frequency Tolerance (Over The Oper. Temp. Range)	$\pm 15, \pm 30, \pm 50 \times 10^{-6}$ (referred to 25°C)	
Operating Temp. Range	-10~+70°C	
Storage Temp. Range	-40~+85°C	
Motional Resistance	Table 1	
Drive Level	50 μ W (500 μ W MAX.)(8000~15999kHz) 50 μ W (300 μ W MAX.)(16000~24999kHz) 50 μ W (100 μ W MAX.)(25000~47000kHz) 50 μ W (300 μ W MAX.)(40~70kHz)(3rd.O.T)	
Load Capacitance	12pF	

※Taping item packaging : one unit 1,000pcs & 3,000pcs

■Table 1 Motional Resistance

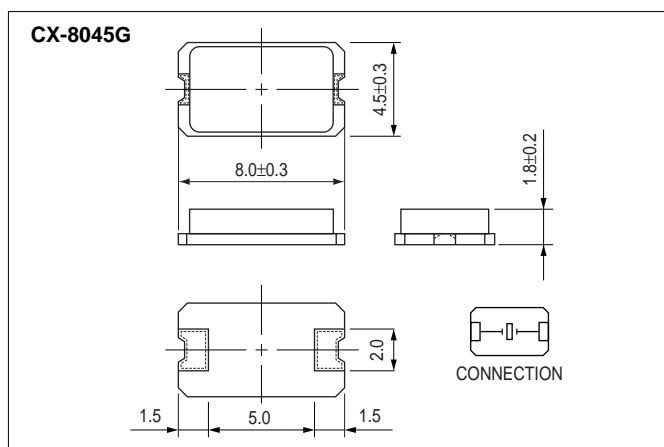
Frequency Range	Motional Resistance
8000~9999kHz (Fund.)	200 Ω Max.
10000~11999kHz (Fund.)	150 Ω Max.
12000~47000kHz (Fund.)	50 Ω Max.
40~70MHz (3rd.)	150 Ω Max.

■Table 2 Representative Frequency

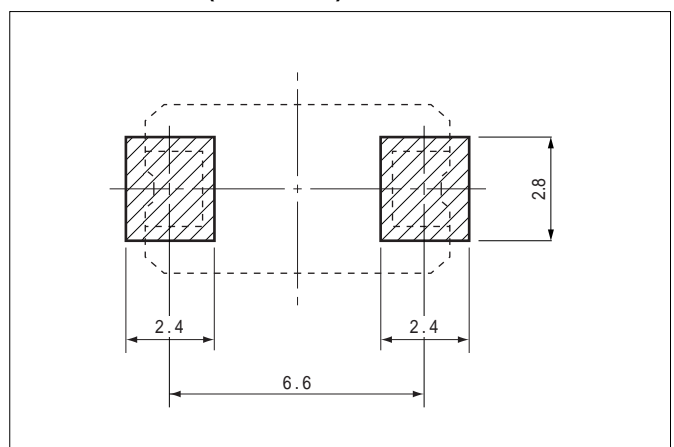
14318.180kHz	21477.270kHz	32000.000kHz
16000.000kHz	24000.000kHz	36000.000kHz
16384.000kHz	24576.000kHz	40.000000MHz
16934.400kHz	27000.000kHz	45.158400MHz
19660.800kHz	28636.360kHz	
20000.000kHz	30000.000kHz	

※Please inquire about frequencies other than the above.

■Outline



■Land Pattern(reference)



Dimensions(mm)