

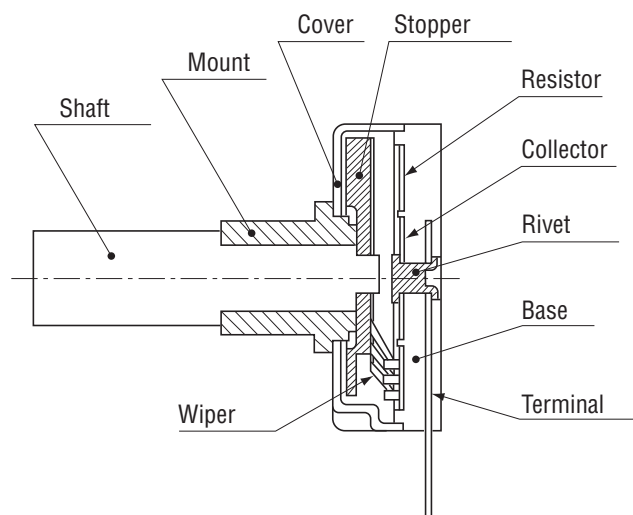
CONDUCTIVE PLASTIC SINGLE TURN TYPE

CRV16 series

RoHS compliant



Basic construction Conductive plastic single turn type



FEATURES

- Long life
- Cost effective
- High linearity through precision wire winding
- RoHS compliant

PART NUMBER DESIGNATION

CRV16 - 00 - 102

Series name

Nominal resistance value (Ω)

102 : 1 k 202 : 2 k
502 : 5 k 103 : 10 k

LIST OF PART NUMBERS

Nominal resistance value	Part number
1 k Ω	CRV16-00-102
2 k Ω	CRV16-00-202
5 k Ω	CRV16-00-502
10 k Ω	CRV16-00-103

