

FEATURES

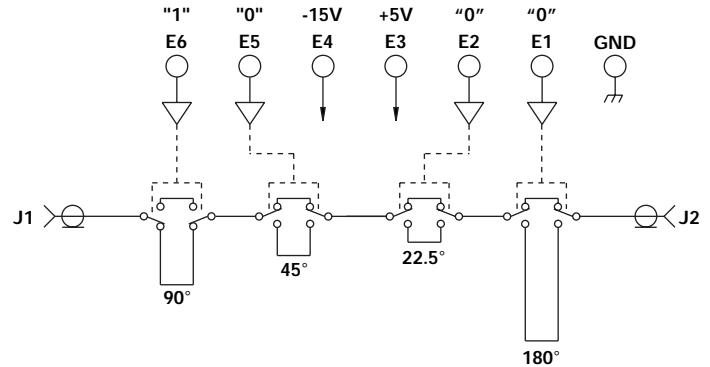
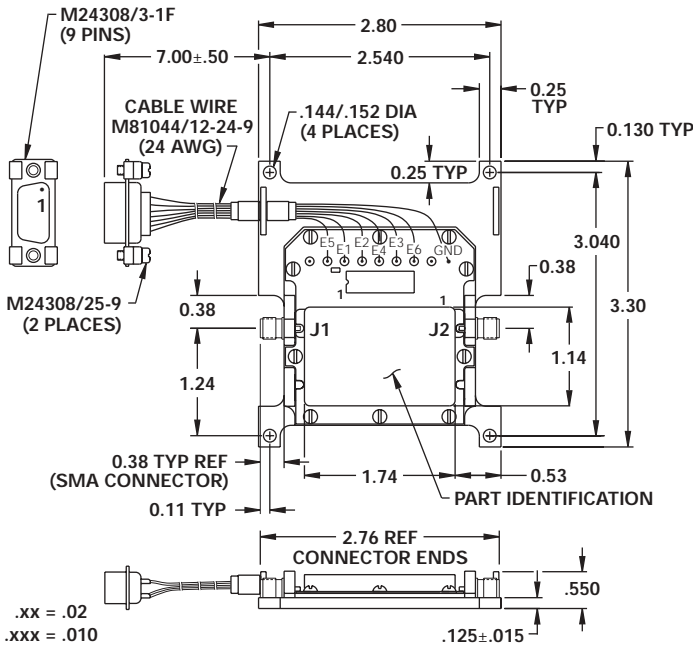
- 1215 - 1400 MHz
- 22.5° LSB, 337.5° Range
- +43 dBm 3rd Order Intercept
- TTL Driver
- +28 dBm, 0.1 dB Compression



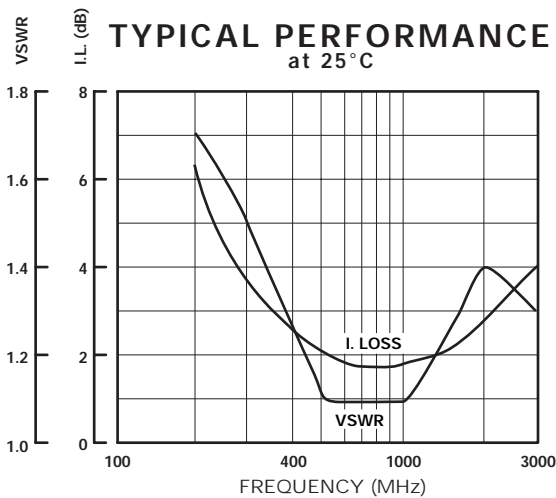
MODEL NO.
CPS49092

PHASE SHIFTER, 4 SECTION

4 BIT



P1 PIN NO.	BD PIN NO.	FUNCTION
1	GND	GROUND
2	E3	+5V
3	E4	-15V
4	E1	180°
5	E6	90°
6	E5	45°
7	E2	22.5°
8	-	N/C
9	-	N/C



GUARANTEED PERFORMANCE

Parameter	Min	Typ	Max	Units	Conditions
Operating Frequency	1215		1400	MHz	
DC Current		12 75	250 200	mA	At +5 VDC Supply At -15 VDC Supply
Control Type		TTL			4 Line Logic "0" = Refer Phase Logic "1" = Phase Shift
Control Current	High Low	.1 .1	±20 ±20	µA	V _{IH} = +5.0V V _{IL} = +0.8 V
Insertion Loss	1.05 0.80	1.9	2.55 2.80	dB	At 25° C At Temperature Extremes
Phase:	Steps Range Accuracy Linearity	22.5 337.5	±6 3.0	DEG DEG DEG DEG	22.5, 45, 90, 180 At 1215 MHz
VSWR	1.25/1	1.5/1			1215 - 1400 MHz
Impedance		50		OHMS	
Time Delay	650	850	1.050	µSEC	
Switching Speed		.660	3.5	µSEC	50% TTL to 90% / 10% RF
Transition (Rise/Fall) Time		.043		µSEC	10% / 90% or 90% / 10% RF
Switching (Video) Transients		36		mV	Peak Value
Intercept Points	2nd 3rd	+64 +42		dBm	575 / 400 MHz 287.5 / 400 MHz
RF Power	Operate No Damage	+28	+10 +30	dBm	0.1 dB Compression
Operating Temperature	-54	+25	+80	°C	TA