

CP1000 THRU CP1008

SINGLE-PHASE SILICON BRIDGE

VOLTAGE - 50 to 800 Volts CURRENT - P.C. MTG 3A, HEAT-SINK MTG 10A

FEATURES

- Surge overload rating—200 Amperes peak
- Low forward voltage drop and reverse leakage
- Small size, simple installation
- Plastic package has Underwriter Laboratory Flammability Classification 94V-O
- Reliable low cost construction utilizing molded plastic technique

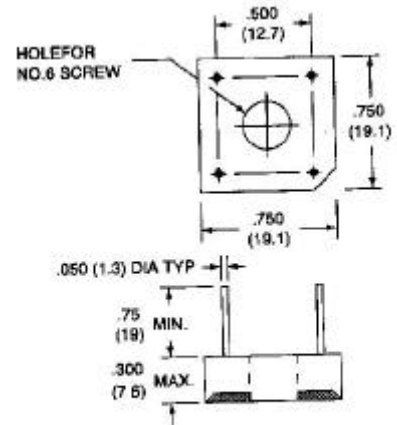
MECHANICAL DATA

Case: Molded plastic with heatsink integrally mounted in the bridge encapsulation

Terminals: Leads solderable per MIL-STD-202, Method 208

Weight: 0.21 ounce, 6.1 grams

CP-10



Dimensions in inches and (millimeters)

MACXIMUM RATINGS AND ELECTRICAL CHARACTERISTICS

At 25 ambient temperature unless otherwise noted; resistive or inductive load at 60Hz .

	CP1000	CP1001	CP1002	CP1004	CP1006	CP1008	UNITS
Max Recurrent Peak Rev Voltage	50	100	200	400	600	800	V
Max Bridge Input Voltage RMS	35	70	140	280	420	560	V
Max Average Rectified Output at $T_C=50$ * See Fig. 2 at $T_C=100$ * at $T_A=50$ **	10.0 3.0 3.0						A A
Peak One Cycle Surge Overload Current	200						A
Max Forward Voltage Drop per element at 5.0A DC & 25 . See Fig. 3	1.1						V
Max Rev Leakage at rated Dc Blocking Voltage per element at 25 See Fig 4 at 100	10.0 1.0						A mA
Typical junction capacitance per leg (Note 4) CJ	200						pF
I ² t Rating for fusing (t<8.3ms)	164						A ² S
Typical Thermal Resistance (Note 2) R JA	25						/W
Typical Thermal Resistance (Note 3) R JC	5						
Operating Temperature Range	-55 TO +125						
Storage Temperature Range	-55 TO +150						

NOTES:

* Unit mounted on metal chassis.

** Unit mounted on P.C. board.

1. Recommended mounting position is to bolt down on heatsink with silicone thermal compound for maximum heat transfer with #6 screw.
2. Units Mounted in free air, no heatsink. P.C.B at 0.375"(9.5mm) lead length with 0.5×0.5"

(12×12mm)copper pads.

3. Units Mounted on a 3.0×3.0" ×0.11" thick (7.5×7.5×0.3cm) AL plate heatsink.

4. Measured at 1.0MHZ and applied reverse voltage of 4.0 volts.

RATING AND CHARACTERISTIC CURVES

CP1008 THRU CP1008

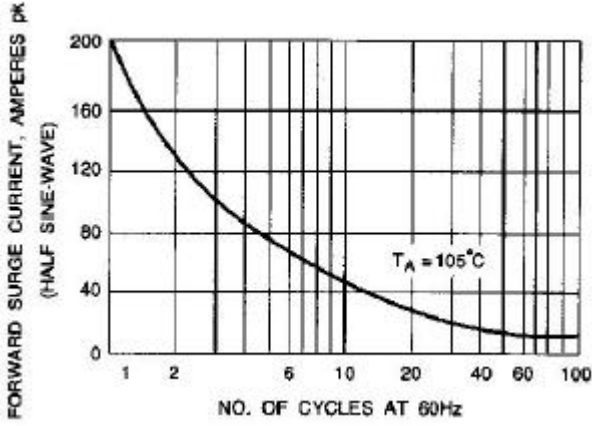


Fig. 1-NON-RECURRENT SURGE RATING

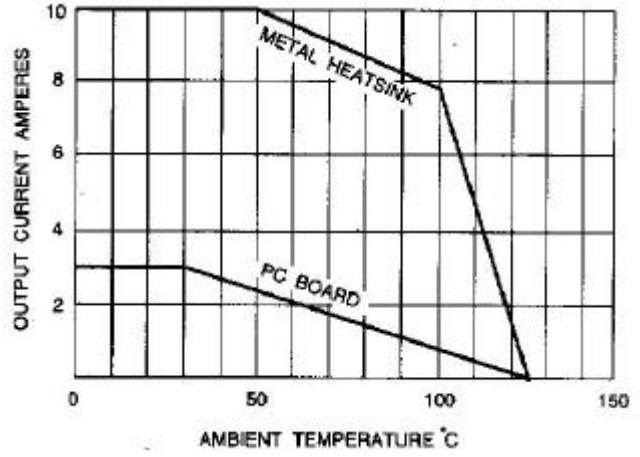


Fig. 2-DERATING CURVE FOR OUTPUT RECTIFIED CURRENT

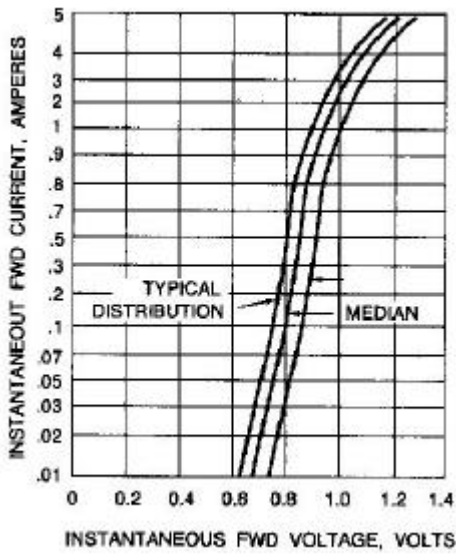


Fig. 3-TYPICAL FORWARD CHARACTERISTICS

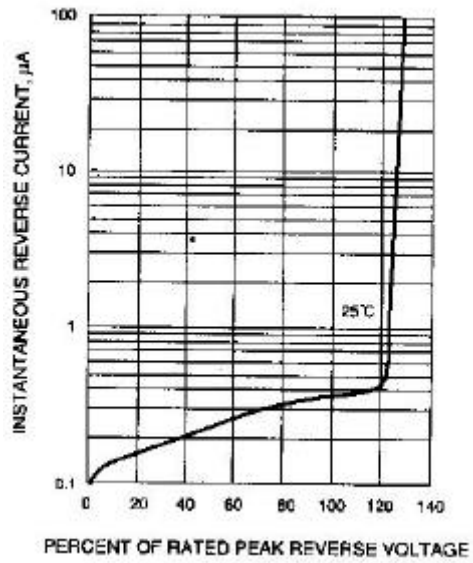


Fig. 4- TYPICAL REVERSE CHARACTERISTICS