

March 1997

High-Reliability CMOS 1024-Word x 1-Bit Static RAM

Features

- Static CMOS Silicon-On-Sapphire Circuitry CD4000-Series Compatible
- Compatible with CDP1800-Series Microprocessors at Maximum Speed
- Fast Access Time. 100ns Typ. at $V_{DD} = 5V$
- Single Voltage Supply
- No Precharge or External Clocks Required
- Low Quiescent and Operating Power
- Separate Data Inputs and Outputs
- High Noise Immunity 30% of V_{DD}
- Memory Retention for Standby Battery Voltage Down to 2V at +25°C
- Latch-Up-Free Transient-Radiation Tolerance

Description

The CDP1821C/3 is a 1024-word x 1-bit CMOS silicon-on-sapphire (SOS), fully static, random-access memory designed for use in CDP1800 microprocessor systems. This device has a recommended operating voltage range of 4V to 6.5V.

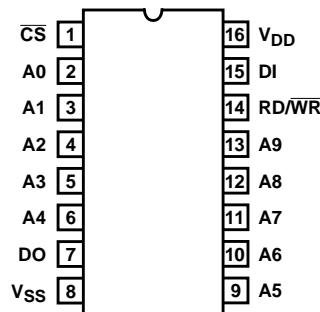
The output state of the CDP1821C/3 is a function of the input address and chip-select states only. Valid data will appear at the output in one access time following the latest address change to a selected chip. After valid data appears, the address may be changed immediately. It is not necessary to clock the chip-select input or any other input terminal for fully static operation; therefore the chip-select input may be used as an additional address input. When the device is in an unselected state ($\overline{CS} = 1$), the internal write circuitry and output sense amplifier are disabled. This feature allows the three-state data outputs from many arrays to be OR-tied to a common bus for easy memory expansion.

Ordering Information

PACKAGE	TEMP. RANGE	PART NUMBER	PKG. NO.
SBDIP	-55°C to +125°C	CDP1821CD3	D16.3

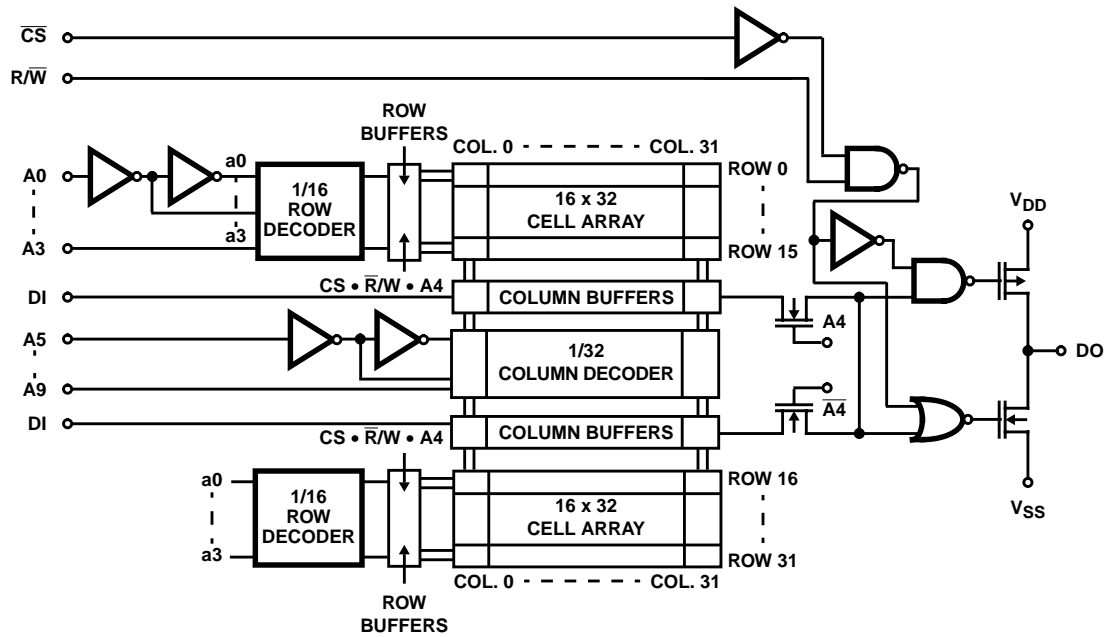
Pinout

CDP1821C/3
(SBDIP)
TOP VIEW



CDP1821C/3

Functional Block Diagram



OPERATIONAL MODES

MODE	INPUTS		OUTPUT
	READ/WRITE R/W	CHIP-SELECT CS	DATA OUTPUT DO
Standby	X	1	High Impedance
Write	0	0	High Impedance
Read	1	0	Contents of Addressed Call

X = Don't Care Logic 1 = High Logic 0 = Low

CDP1821C/3

Absolute Maximum Ratings

DC Supply Voltage Range, (V_{DD})
 (All Voltages Referenced to V_{SS} Terminal) -0.5V to +7V
 Input Voltage Range, All Inputs -0.5V to V_{DD} +0.5V
 DC Input Current, Any One Input. ± 10 mA

Thermal Information

Thermal Resistance (Typical) θ_{JA} ($^{\circ}\text{C}/\text{W}$) θ_{JC} ($^{\circ}\text{C}/\text{W}$)
 SBDIP Package 75 20
 Maximum Operating Temperature Range (T_A) -55 $^{\circ}\text{C}$ to +125 $^{\circ}\text{C}$
 Maximum Storage Temperature Range (T_{STG}) . . . -65 $^{\circ}\text{C}$ to +150 $^{\circ}\text{C}$
 Maximum Lead Temperature (During Soldering) +265 $^{\circ}\text{C}$
 Maximum Junction Temperature +150 $^{\circ}\text{C}$

Recommended Operating Conditions T_A = Full Package-Temperature Range. For maximum reliability, nominal operating conditions should be selected so that operation is always within the following ranges:

PARAMETER	CDP1821CD/3		UNITS
	MIN	MAX	
DC Operating Voltage Range	4	6.5	V
Input Voltage Range	V_{SS}	V_{DD}	V

Static Electrical Specifications $V_{DD} = 5\text{V} \pm 5\%$

PARAMETER	SYMBOL	CONDITIONS	-55 $^{\circ}\text{C}$, +25 $^{\circ}\text{C}$		+125 $^{\circ}\text{C}$		UNITS
			MIN	MAX	MIN	MAX	
Quiescent Device Current (Note 1)	I_{DD}	$V_{IN} = 0\text{V}$ or V_{DD}	-	260	-	1000	μA
Output Low Drive (Sink) Current (Note 1)	I_{OL}	$V_{OUT} = 0.4\text{V}$	2.7	-	1.6	-	mA
Output High Drive (Source) Current (Note 1)	I_{OH}	$V_{OUT} = V_{DD} - 0.4\text{V}$	-1.3	-	-0.8	-	mA
Output Voltage Low-Level	V_{OL}	-	-	0.1	-	0.5	V
Output Voltage High-Level	V_{OH}	-	$V_{DD} - 0.1$	-	$V_{DD} - 0.5$	-	V
Input Low Voltage	V_{IL}	-	-	0.3 V_{DD}	-	0.3 V_{DD}	V
Input High Voltage	V_{IH}	-	0.7 V_{DD}	-	0.7 V_{DD}	-	V
Input Current (Note 1)	I_{IN}	$V_{IN} = 0\text{V}$ or V_{DD}	-	2.6	-	10	μA
Three-State Output Leakage Current (Note 1)	I_{OUT}	$V_{IN} = 0\text{V}$ or V_{DD}	-	2.6	-	10	μA
Operating Current (Note 2)	I_{DD1}	-	-	5	-	10	mA
Input Capacitance	C_{IN}	-	-	7.5	-	7.5	pF
Output Capacitance	C_{OUT}	-	-	15	-	15	pF

NOTES:

- Limits designate 100% testing. All other limits are designer's parameters under given test conditions and do not represent 100% testing
- Measured with 1 μs read-cycle time and outputs floating.

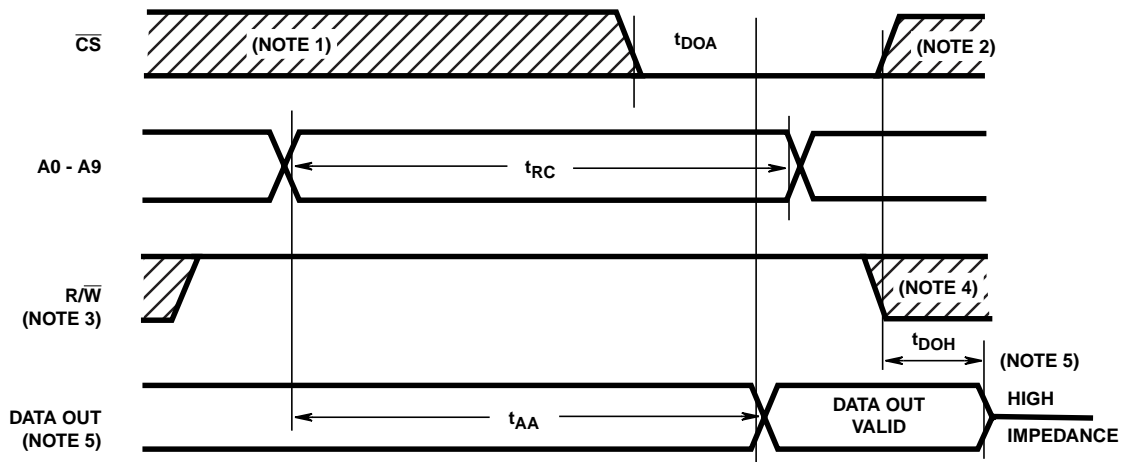
CDP1821C/3

Read Cycle Dynamic Electrical Specifications $t_R, t_F = 10\text{ns}, C_L = 50\text{pF}$

PARAMETER	SYMBOL	V_{DD} (V)	-55°C, +25°C		+125°C		UNITS
			MIN	MAX	MIN	MAX	
Data Access Time (Note 1)	t_{DA}	5	-	190	-	255	ns
Read Cycle Time	t_{RC}	5	190	-	255	-	ns
Output Enable Time	t_{EN}	5	65	-	90	-	ns
Output Disable Time	t_{DIS}	5	-	65	-	90	ns

NOTE:

- 100% testing. All other limits are designer's parameters under given test conditions and do not represent 100% testing.



NOTES:

1. Chip-Select (\overline{CS}) permitted to change from high to low level or remain low on a selected device.
2. Chip-Select (\overline{CS}) permitted to change from low to high level or remain low.
3. Read/Write (R/\overline{W}) must be at a high level during all address transitions.
4. Don't care.
5. Data-Out (DO) is a high impedance within t_{DIS} ns after the falling edge of R/\overline{W} or the rising edge of \overline{CS} .

FIGURE 1. READ CYCLE TIMING DIAGRAM

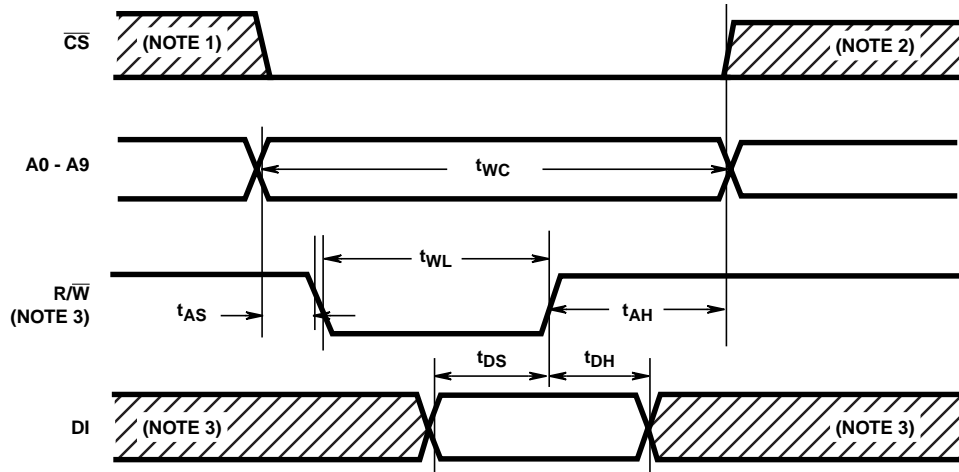
CDP1821C/3

Write Cycle Dynamic Electrical Specifications $t_R, t_F = 10\text{ns}, C_L = 50\text{pF}$

PARAMETER	SYMBOL	V_{DD} (V)	-55°C, +25°C		+125°C		UNITS
			MIN	MAX	MIN	MAX	
Write Cycle Time	t_{WC}	5	300	-	420	-	ns
Address Setup Time (Note 1)	t_{AS}	5	60	-	84	-	ns
Address Hold Time (Note 1)	t_{AH}	5	130	-	180	-	ns
Input Data Setup Time (Note 1)	t_{DS}	5	90	-	125	-	ns
Input Data Hold Time (Note 1)	t_{DH}	5	60	-	84	-	ns
Read/Write Pulse Width Low (Note 1)	t_{WL}	5	110	-	155	-	ns

NOTE:

1. 100% testing. All other limits are designer's parameters under given test conditions and do not represent 100% testing.



NOTES:

1. Chip-Select (\overline{CS}) permitted to change from high to low level or remain low on a selected device.
2. Chip-Select (\overline{CS}) permitted to change from low to high level or remain low.
3. Don't care.

FIGURE 2. WRITE CYCLE TIMING DIAGRAM

Data Retention Specifications

PARAMETER	SYMBOL	TEST CONDITIONS		-55°C, +25°C		+125°C		UNITS
		V _{DR} (V)	V _{DD} (V)	MIN	MAX	MIN	MAX	
Minimum Data Retention Voltage (Note 1)	V _{DD}	-	-	-	2	-	2.5	V
Data Retention Quiescent Current (Note 1)	I _{DD}	2	-	-	50	-	200	μA
Chip Deselect to Data Retention Time	t _{CDR}	-	5	450	-	650	-	ns
Recovery to Normal Operation Time	t _{RC}	-	5	450	-	650	-	ns

NOTE:

1. 100% testing. All other limits are designer's parameters under given test conditions and do not represent 100% testing

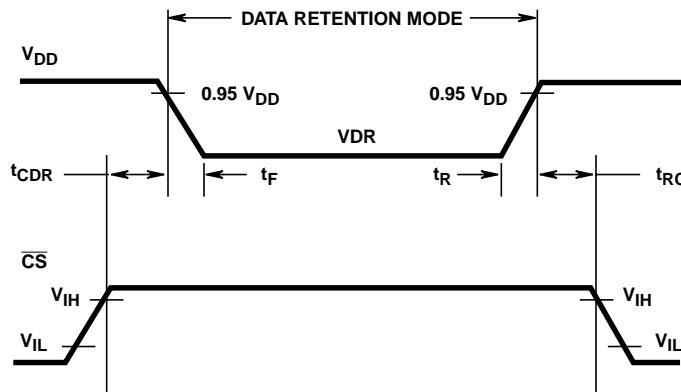
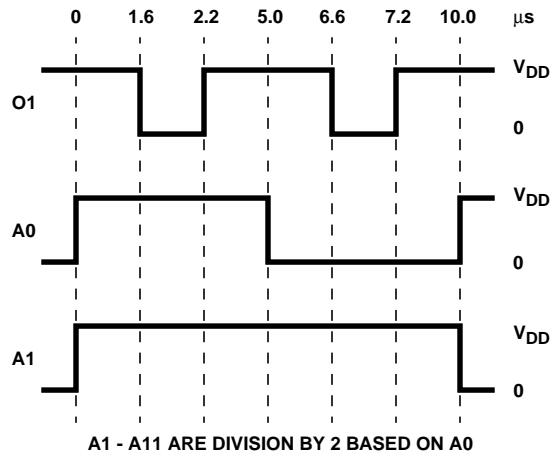
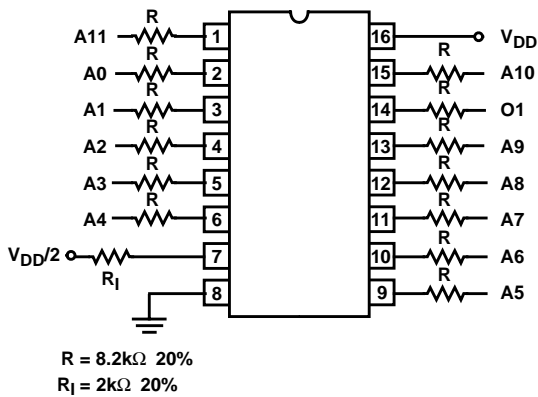


FIGURE 3. LOW V_{DD} DATA RETENTION WAVEFORMS AND TIMING DIAGRAM

Burn-In Circuit



PACKAGE	V _{DD}	TEMPERATURE	DURATION
D	7V	+125°C	160 Hrs.

FIGURE 4. DYNAMIC/OPERATING BURN-IN CIRCUIT AND TIMING DIAGRAM

All Intersil semiconductor products are manufactured, assembled and tested under **ISO9000** quality systems certification.

Intersil products are sold by description only. Intersil Corporation reserves the right to make changes in circuit design and/or specifications at any time without notice. Accordingly, the reader is cautioned to verify that data sheets are current before placing orders. Information furnished by Intersil is believed to be accurate and reliable. However, no responsibility is assumed by Intersil or its subsidiaries for its use; nor for any infringements of patents or other rights of third parties which may result from its use. No license is granted by implication or otherwise under any patent or patent rights of Intersil or its subsidiaries.

For information regarding Intersil Corporation and its products, see web site <http://www.intersil.com>

Sales Office Headquarters

NORTH AMERICA

Intersil Corporation
P. O. Box 883, Mail Stop 53-204
Melbourne, FL 32902
TEL: (407) 724-7000
FAX: (407) 724-7240

EUROPE

Intersil SA
Mercure Center
100, Rue de la Fusee
1130 Brussels, Belgium
TEL: (32) 2.724.2111
FAX: (32) 2.724.22.05

ASIA

Intersil (Taiwan) Ltd.
Taiwan Limited
7F-6, No. 101 Fu Hsing North Road
Taipei, Taiwan
Republic of China
TEL: (886) 2 2716 9310
FAX: (886) 2 2715 3029