

BSFJ78G29

Satellite Tuner

APPLICATIONS:

- Satellite receiver
- Data receiver
- Wide-band front end

FEATURES

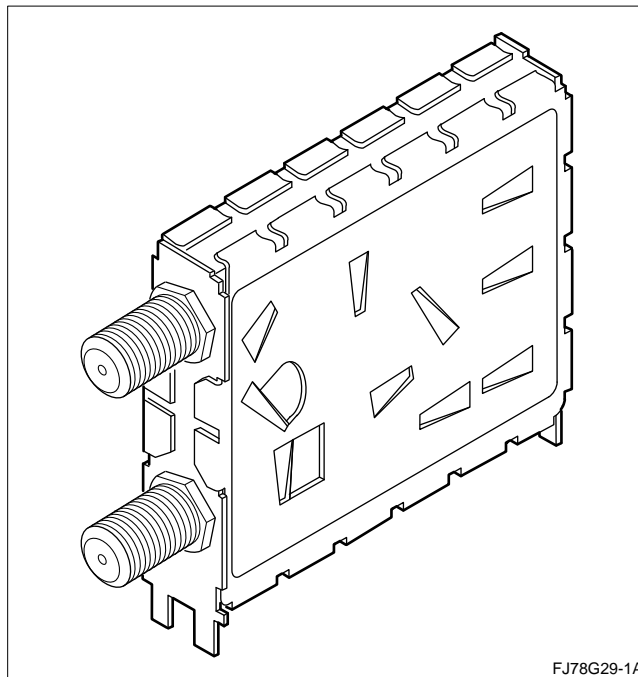
- Digital AFT out
- Standup Package
- AGC sample out
- Frequency synthesizer with I2C bus
- Compact, lightweight design (22 cc)

DESCRIPTION

The BSFJ78G29 is an integrated single conversion tuner and FM demodulator. It was designed for the reception of analog signals. It has a dual input and a combined video and audio output. The input frequency range is 900 to 2,150 MHz. A 27/18 MHz switchable bandpass filter is positioned at the first IF. Bandwidth selection is made by applying an external voltage of an external pin. A digital AFT output is provided for evaluation of receiver system accuracy.

This tuner can be controlled by an internal I2C PLL interface.

For more information on this product, please contact your local Sharp representative.



SPECIFICATIONS

Receiving Frequency Range	900 to 2,150 MHz
Input Level	-60 to -30 dBm
Input Impedance	75 Ω
Intermediate Frequency	479.5 MHz
Channel Selection System	Frequency synthesizer with I2C bus SP5655S (Clock: 4.0 MHz)
Operating Supply Voltage	5 ±0.3 V
Operating ODU Voltage	25 V
Operating Tuning Voltage	30 ±1.5 V
IF Bandwidth	27/18 MHz
Demodulation System	PLL
Input Structure	F type female
Prescaler Division Ratio	-

