

BSEJ77G19

Satellite Tuner

FEATURES

- Digital AFT out
- Standup Package
- AGC sample out
- Compact, lightweight design (22 cc)
- Electronic tuning for frequency synthesizer

DESCRIPTION

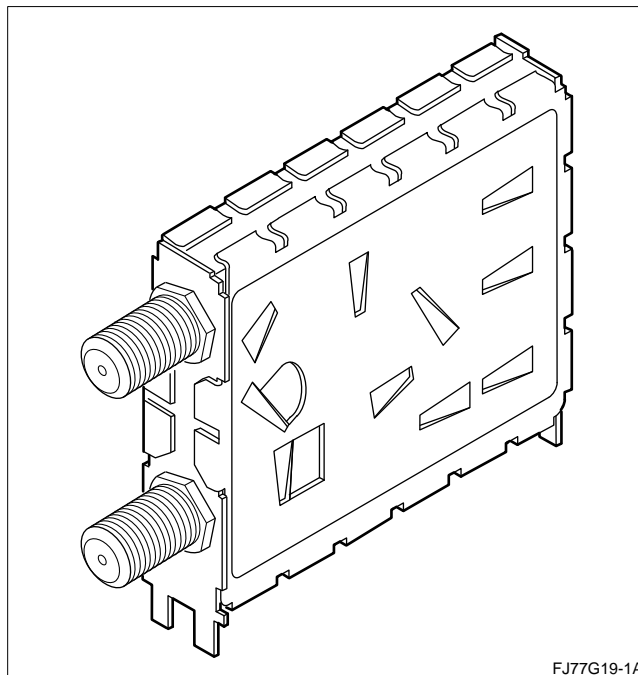
The BSEJ77G19 is an integrated single conversion tuner and FM demodulator. It was designed for the reception of analog signals. It has a dual input and a combined video and audio output. The input frequency range is 920 to 2,050 MHz. A 27 MHz bandpass filter is positioned at the first IF. A digital AFT output is provided for evaluation of receiver system accuracy.

This tuner is controlled by external three wire PLL interface. A 1/128 prescaler is internal to this tuner and provides the ability to interface with a PLL.

For more information on this product, please contact your local Sharp representative.

APPLICATIONS:

- Satellite receiver
- Data receiver
- Wide-band front end



FJ77G19-1A

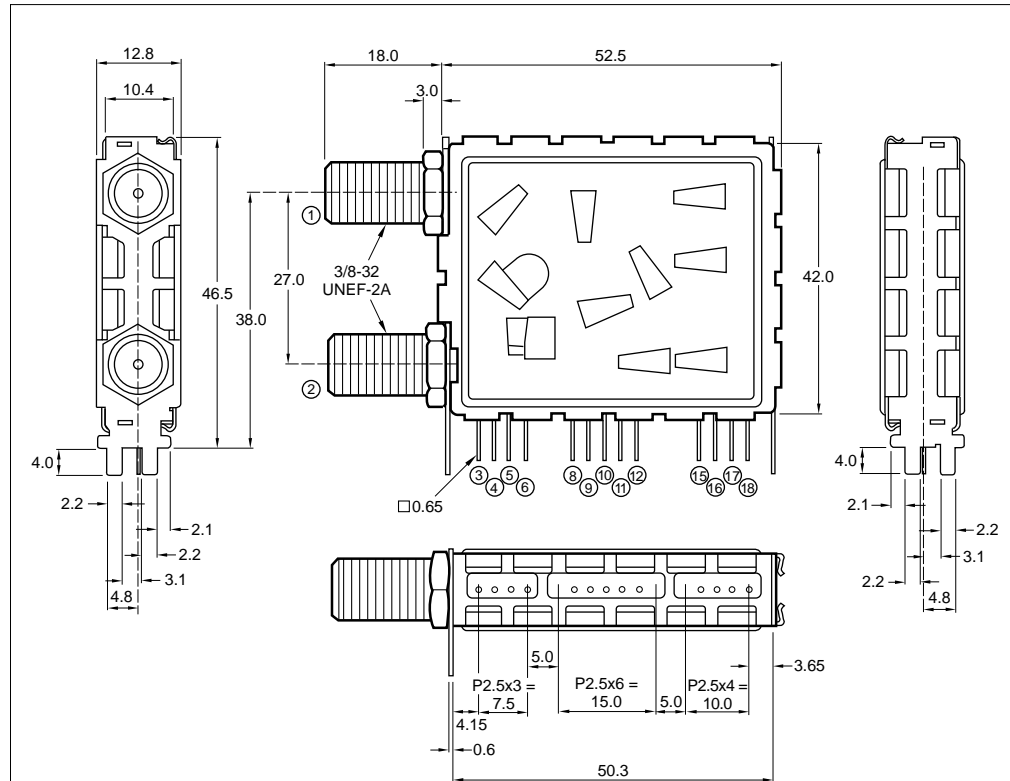
SPECIFICATIONS

Receiving Frequency Range	920 to 2,050 MHz
Input Level	-60 to -30 dBm
Input Impedance	75 Ω
Intermediate Frequency	479.5 MHz
Channel Selection System	Electronic tuning for frequency synthesizer
Operating Supply Voltage	5 \pm 0.3 V
Operating ODU Voltage	25 V
Operating Tuning Voltage	0.4 to 28 V
IF Bandwidth	27 MHz
Demodulation System	PLL
Input Structure	F type female
Prescaler Division Ratio	1/128

PRODUCT INFORMATION

SHARP

BSFJ77G19 MECHANICAL DIMENSIONS



NO.	NAME	I/O	VOLT (V)	NOTE
1	RF INPUT A	I		
2	RF INPUT B	I		
3	B1A	I		TO LNB
4	SWA	I	5/0	
5	B1B	I		TO LNB
6	SWB	I	5/0	
7				DIGITAL AFT
8	AFT OUT (AFT 1)	O		DIGITAL AFT
9	AFT OUT (AFT 2)	O		
10		O		
11	AGC	I	+5	
12	B2	O		
13	BASE BAND			
14				
15	TUN	I	0.4 - 28	
16				
17				
18	PSC OUT	O		

NOTE: Dimensions are in mm.

FJ77G19-2A

Sharp Electronics Corporation Regional Sales Offices

North American Headquarters

Camas, WA
Ph (360) 834-2500
Fax (360) 834-8903

West

Irvine, CA
Ph (714) 250-0225
Fax (714) 250-0438

San Jose, CA
Ph (408) 436-4900
Fax (408) 436-0924

Central

Romeoville, IL
Ph (708) 226-2400
Fax (708) 759-8572

Auburn Hills, MI
Ph (810) 377-9220
Fax (810) 377-9222

Austin, TX
Ph (512) 349-7262
Fax (512) 349-7002

DFW Airport, TX
Ph (214) 574-5205
Fax (214) 456-0360

Houston, TX
Ph (713) 955-9909
Fax (713) 955-9910

East

Burlington, MA
Ph (617) 270-7979
Fax (617) 229-9117

Annandale, NJ
Ph (908) 713-0505
Fax (908) 713-0566

Durham, NC
Ph (919) 941-0065
Fax (919) 941-0066

Distributors

Future Electronics

Canada
Ph (514) 694-7710
Fax (514) 695-3707

Marshall Industries

El Monte, CA
Ph (800) 522-0084
Fax (818) 307-6173
URL <http://www.marshall.com>

Milgray

Farmingdale, NY
Ph (800) MILGRAY (645-4729)
Fax (516) 293-6465

Reptron

Tampa, FL
Ph (800) 659-1361
Fax (813) 854-2351

Sterling Electronics Corp.

Houston, TX
Ph (800) 745-5500
Fax (713) 629-3939

SHARP
FROM SHARP MINDS
COME SHARP PRODUCTS™

FastFax Service: 1-800-833-9437

Product Information: 1-800-642-0261

World Wide Web Site: <http://www.sharpmeg.com>