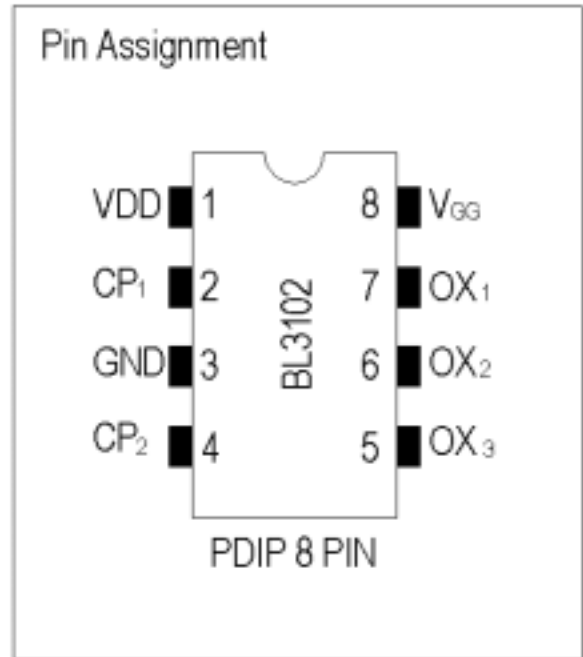


**Description**

The BL3102 is a low output impedance , CMOS 2-phase clock generator/driver circuit for low voltage operaton BBD. It also includes a  $V_{GG}$  Voltage generator. This device can provide can provide acquired clock by self-oscillating an external clock source.The output clock pulse frequency is half of the oscillating (or external)pulse frequency.

**Features**

- It can drive 4096-stage like low voltage operation BBD.directly.
- 2-phase clock output
- Build-in  $V_{GG}$  generator for low voltage operation BBD.
- Single power supply(4V-10V)
- 8-pin plastic DIP



**Application Circuit**

