

NPN General Purpose Amplifier

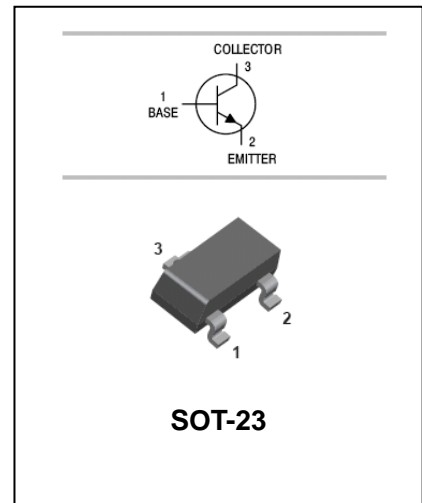
BC818

FEATURES

- For general AF application.
- Complementary PNP type available BC808.
- High collector current, high current gain.
- Low collector-emitter saturation voltage.



Lead-free



APPLICATIONS

- General purpose medium power amplifier.

ORDERING INFORMATION

Type No.	Marking	Package Code
BC818-16	6E	SOT-23
BC818-25	6F	SOT-23
BC818-40	6G	SOT-23

MAXIMUM RATING @ Ta=25°C unless otherwise specified

Symbol	Parameter	Value	Unit
V_{CBO}	Collector-Base Voltage	30	V
V_{CEO}	Collector-Emitter Voltage	25	V
V_{EBO}	Emitter-Base Voltage	5	V
I_C	Collector Current -Continuous	500	mA
P_C	Collector Dissipation	330	mW
T_j, T_{stg}	Junction and Storage Temperature	-65to+150	°C

NPN General Purpose Amplifier**BC818**

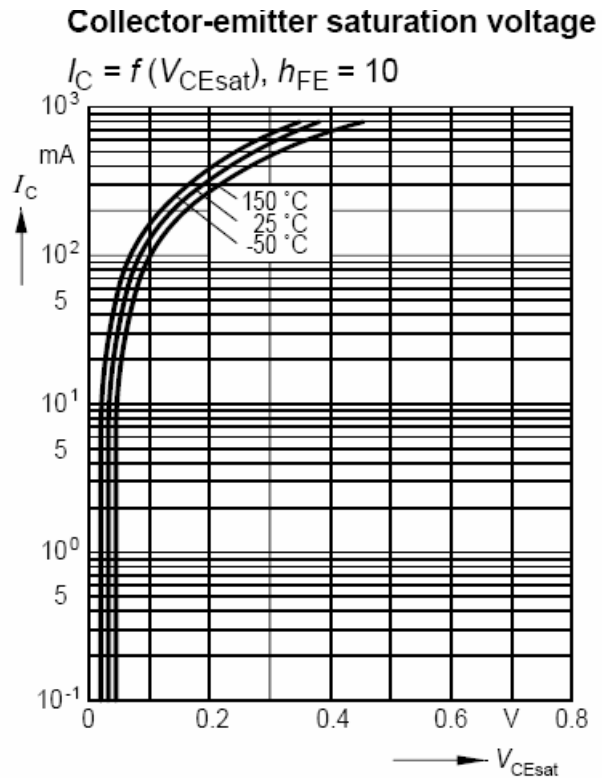
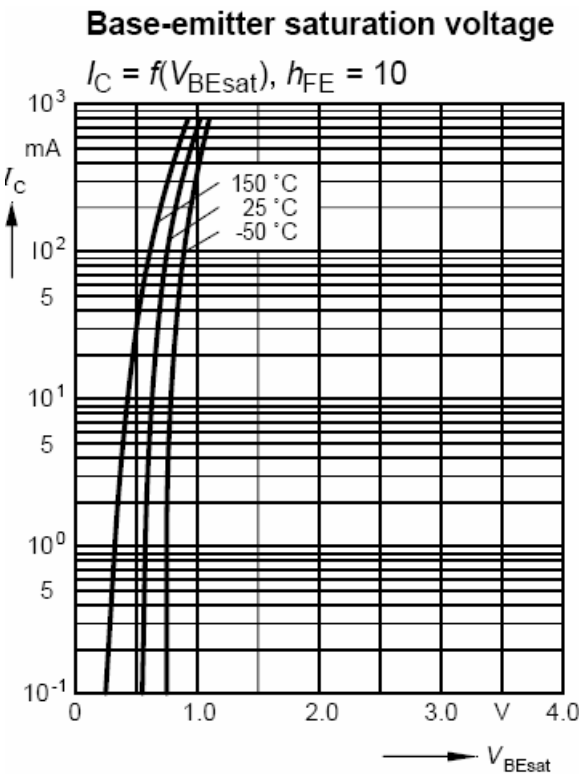
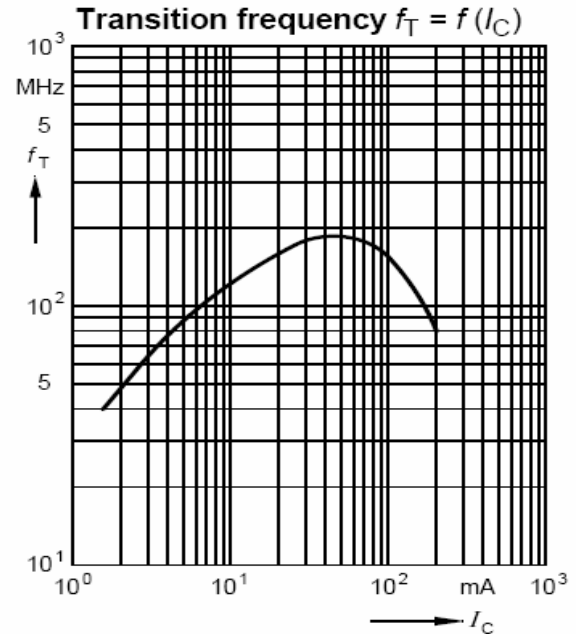
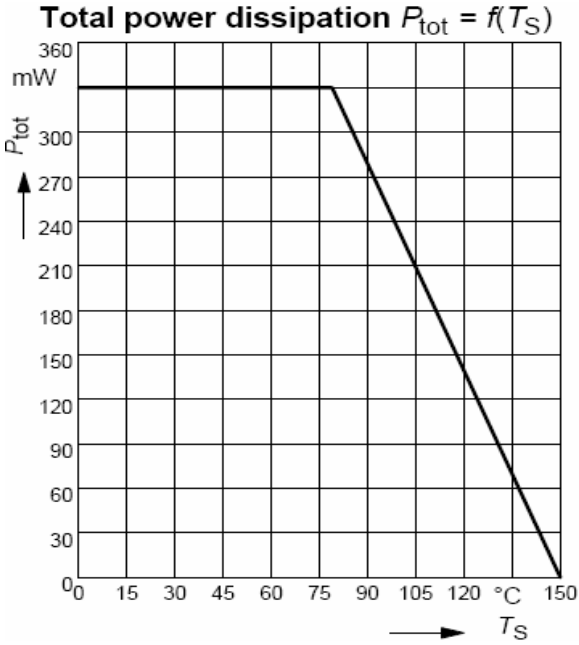
ELECTRICAL CHARACTERISTICS @ Ta=25°C unless otherwise specified

Parameter	Symbol	Test conditions	MIN	MAX	UNIT
Collector-base breakdown voltage	$V_{(BR)CBO}$	$I_C=10\mu A$ $I_E=0$	30		V
Collector-emitter breakdown voltage	$V_{(BR)CEO}$	$I_C=10mA$ $I_B=0$	25		V
Emitter-base breakdown voltage	$V_{(BR)EBO}$	$I_E=10\mu A$ $I_C=0$	5		V
Collector cut-off current	I_{CBO}	$V_{CB}=25V$ $I_E=0$		0.1	μA
Emitter cut-off current	I_{EBO}	$V_{EB}=4V$ $I_C=0$		0.1	μA
DC current gain	818-16 818-25 818-40 h_{FE}	$V_{CE}=1V$ $I_C=100mA$	100 160 250	250 400 630	
Collector-emitter saturation voltage	$V_{CE(sat)}$	$I_C=500mA$ $I_B=50mA$		0.7	V
Base-emitter saturation voltage	$V_{BE(sat)}$	$I_C=500mA$ $I_B=50mA$		1.2	V
Transition frequency	f_T	$V_{CE}=5V$ $I_C=50mA$ $f=100MHz$	170		MHz

NPN General Purpose Amplifier

BC818

TYPICAL CHARACTERISTICS @ $T_a=25^\circ\text{C}$ unless otherwise specified



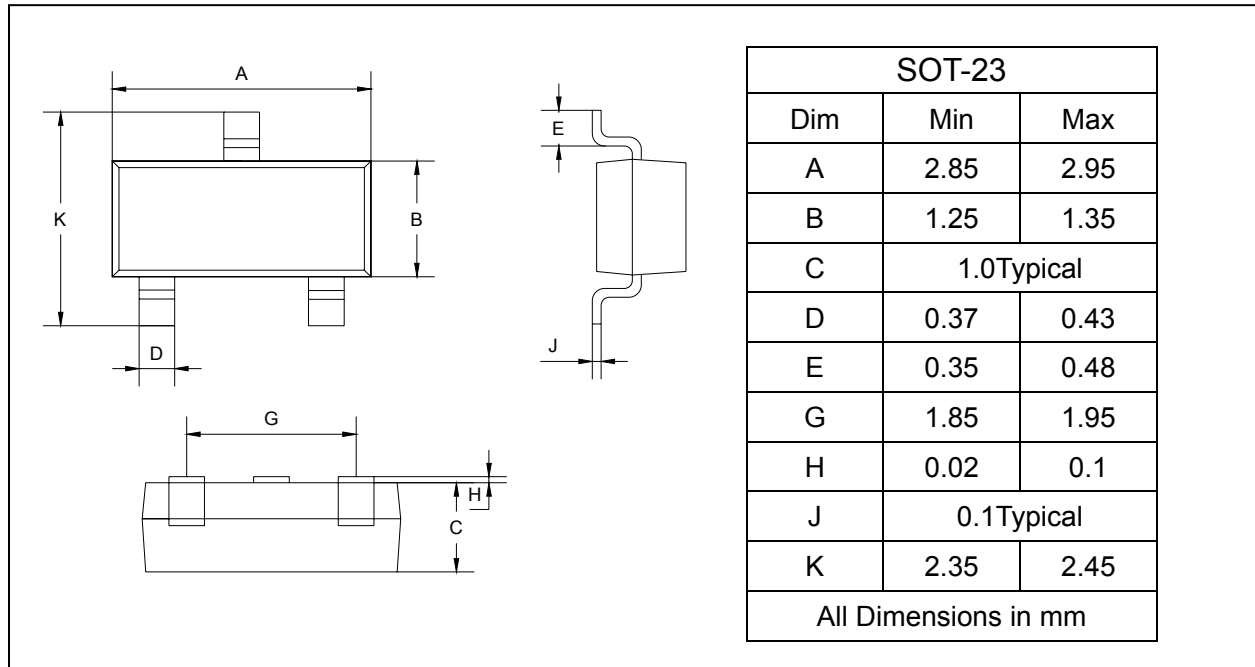
NPN General Purpose Amplifier

BC818

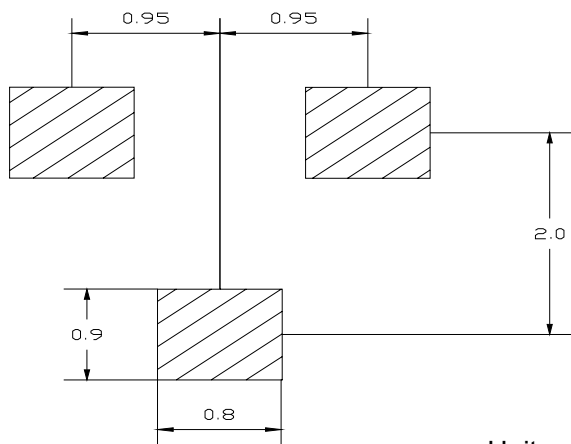
PACKAGE OUTLINE

Plastic surface mounted package

SOT-23



SOLDERING FOOTPRINT



Unit: mm

PACKAGE INFORMATION

Device	Package	Shipping
BC818	SOT-23	3000/Tape&Reel