

Small Signal Product

250mW High Speed Switching Array

FEATURES

- Fast switching speed
- High reverse breakdown voltage rating
- Moisture sensitivity level 1
- Matte Tin (Sn) lead finish with Nickel (Ni) underplate
- Pb free version and RoHS compliant
- Packing code with suffix "G" means green compound (halogen-free)

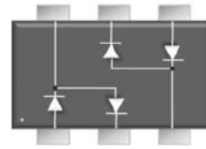


SOT-363



MECHANICAL DATA

- Case: SOT-363 small outline plastic package
- Terminal: Matte tin plated, lead free., solderable per MIL-STD-202, Method 208 guaranteed
- High temperature soldering guaranteed : 260°C/10s
- Case material UL flammability rating 94V-0
- Weight: 8 ± 0.5 mg
- Marking Code: K1



MAXIMUM RATINGS AND ELECTRICAL CHARACTERISTICS (T _A =25°C unless otherwise noted)			
PARAMETER	SYMBOL	VALUE	UNIT
Power Dissipation	P _D	200	mW
Repetitive Peak Reverse Voltage	V _R RM	85	V
Repetitive Peak Forward Current	I _F RM	450	mA
Mean Forward Current	I _O	150	mA
Non-Repetitive Peak Forward Surge Current	I _F SM	4.5	A
		0.5	
Junction and Storage Temperature Range	T _J , T _{STG}	-55 to 150	°C

PARAMETER	SYMBOL	MIN	MAX	UNIT
Reverse Breakdown Voltage	V _(BR)	75	-	V
Forward Voltage	V _F	I _R =2.5μA	0.715	V
		I _F =1.0mA	0.855	
		I _F =10mA	1.000	
		I _F =50mA	1.200	
		I _F =100mA	1.250	
Reverse Leakage Current	I _R	-	1.000	μA
Junction Capacitance	C _J	-	1.500	pF
Reverse Recovery Time	t _{rr}	-	6.000	ns

Note 1 : Reverse recovery test conditions : I_F=I_R=10mA, R_L=100Ω

Small Signal Product

RATINGS AND CHARACTERISTICS CURVES

($T_A=25^\circ\text{C}$ unless otherwise noted)

Fig. 1 Maximum Permissible Continuous Forward Current As A Function of Soldering Point Temperature

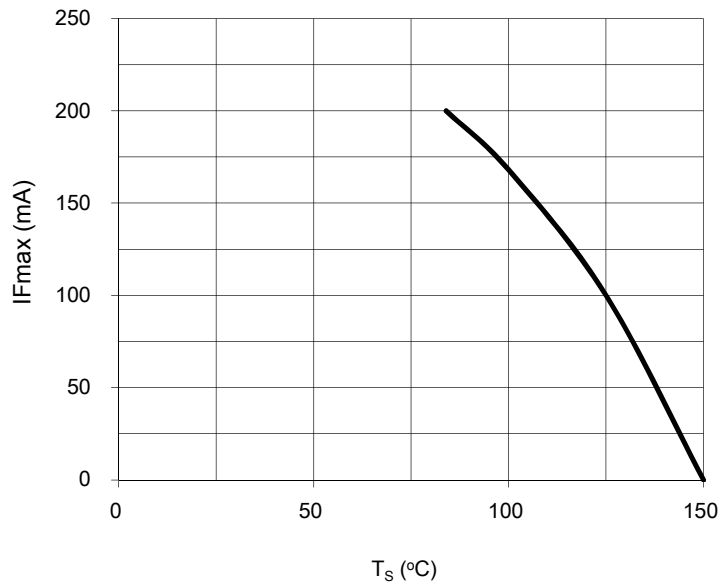


Fig. 2 Forward Current As A Function of Forward Voltage

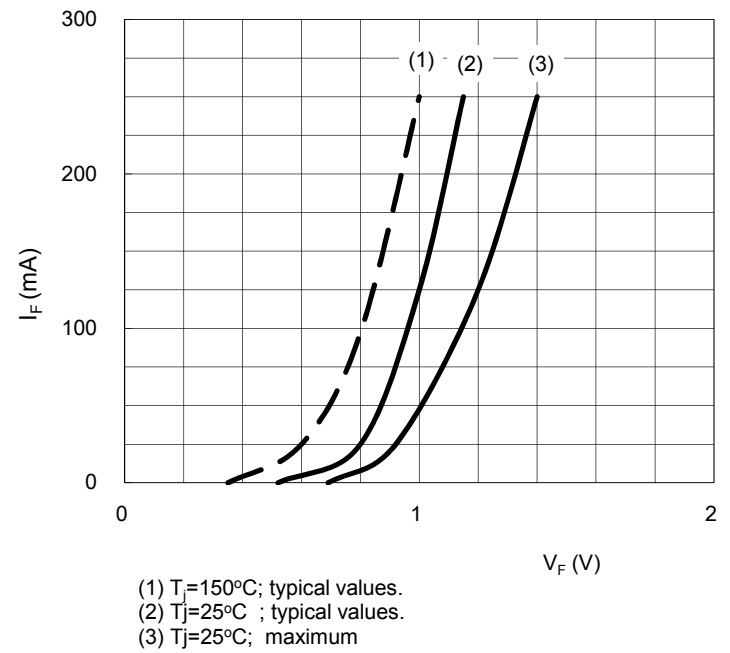
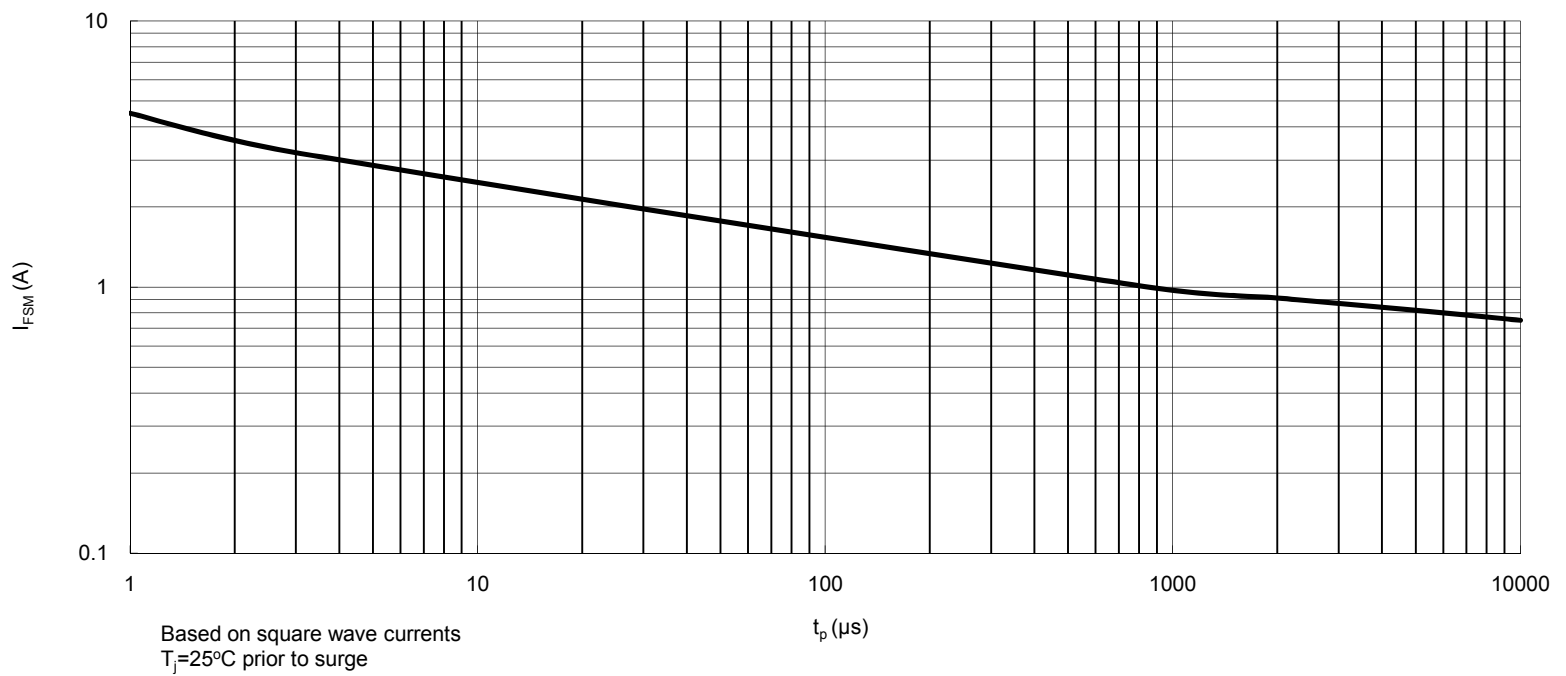


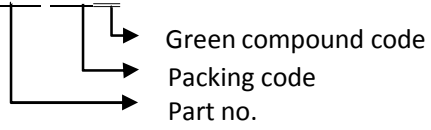
Fig. 3 Maximum Permissible Non-Repetitive Peak Forward Current As A Function of Pulse Duration



Small Signal Product

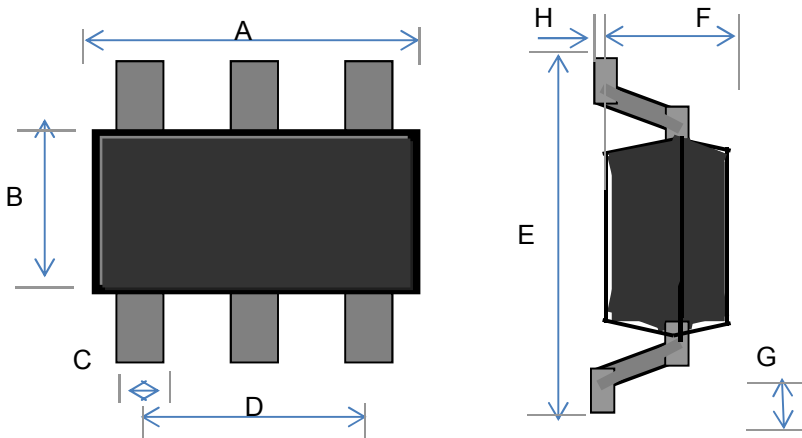
ORDER INFORMATION (EXAMPLE)

BAV99S RFG



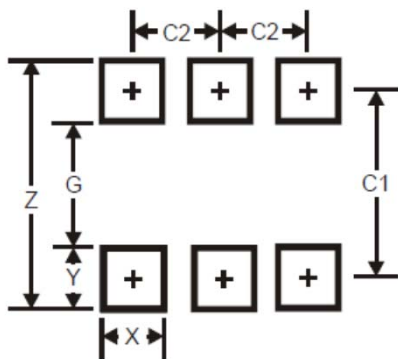
DIMENSIONS

SOT-363



DIM.	Unit (mm)		Unit (inch)	
	Min	Max	Min	Max
A	2.00	2.20	0.079	0.087
B	1.15	1.35	0.045	0.053
C	0.15	0.35	0.006	0.014
D	1.20	1.40	0.047	0.055
E	2.15	2.45	0.085	0.096
F	0.85	1.05	0.033	0.041
G	0.25	0.46	0.010	0.018
H	0.00	0.10	0.000	0.004

SUGGESTED PAD LAYOUT



DIM.	Unit (mm)	Unit (inch)
	Typ.	Typ.
Z	3.20	0.126
G	1.60	0.063
X	0.55	0.022
Y	0.80	0.031
C1	2.40	0.094
C2	0.95	0.037

Notice

Specifications of the products displayed herein are subject to change without notice. TSC or anyone on its behalf, assumes no responsibility or liability for any errors or inaccuracies.

Information contained herein is intended to provide a product description only. No license, express or implied, to any intellectual property rights is granted by this document. Except as provided in TSC's terms and conditions of sale for such products, TSC assumes no liability whatsoever, and disclaims any express or implied warranty, relating to sale and/or use of TSC products including liability or warranties relating to fitness for a particular purpose, merchantability, or infringement of any patent, copyright, or other intellectual property right.

The products shown herein are not designed for use in medical, life-saving, or life-sustaining applications. Customers using or selling these products for use in such applications do so at their own risk and agree to fully indemnify TSC for any damages resulting from such improper use or sale.