

2-channel driver for CD changers

BA6780 / BA6780FP-Y

The BA6780 and BA6780FP-Y are 2-channel driver IC for CD changers that includes a reversible, variable speed electronic governor and a reversible driver. On sets that have dual-rail power supplies, the BA6780 and BA6780FP-Y can be operated from just the negative supply to reduce influence on the positive power supply.

The input uses PWM control, and it is possible to directly input from a microprocessor running off the positive power supply.

●Applications

Changers for CD players and MD players.

●Features

- 1) Output voltage can be freely set using the output voltage setting pin.
- 2) Internal mute function if the power supply voltage drops.
- 3) Thermal shutdown function. (Contains hysteresis)
- 4) PWM input.
- 5) Settable reference voltage output pin.
- 6) Wide operating supply voltage.

●Absolute maximum ratings (Ta = 25°C)

Parameter	Symbol	Limits	Unit
Power supply voltage	V _{CC}	18	V
Logic input voltage	V _{FIN} , V _{RIN}	22	V
Power dissipation	BA6780	1.31 *1	W
	BA6780FP-Y	1.45 *2	
Maximum current consumption	I _{max}	1.4 *3	A
Operating temperature	T _{opr}	-25~+75	°C
Storage temperature	T _{stg}	-55~+150	°C

*1 When a DIP18 package is used. Reduced by 10.48mW for each increase in Ta of 1°C over 25°C.

*2 When mounted on a PCB board (70mm×70mm, t=1.6mm glass epoxy board).

Reduced by 11.6mW for each increase in Ta of 1°C over 25°C.

*3 Should not exceed Pd or ASO values.

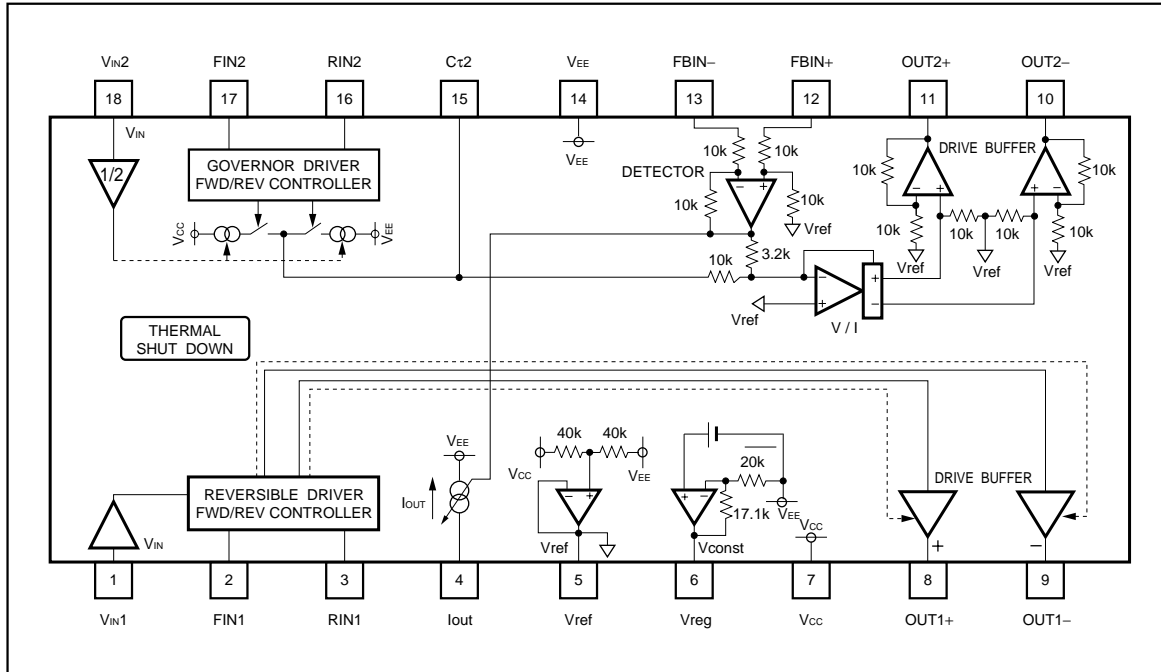
●Recommended operating conditions (Ta = 25°C)

Parameter	Symbol	Limits	Unit
Power supply voltage	V _{CC}	7~16	V
Input voltage for Vin	V _{IN}	0~V _{CC} /2-1.0	V

Optical disc ICs

●Block diagram and pin descriptions

BA6780

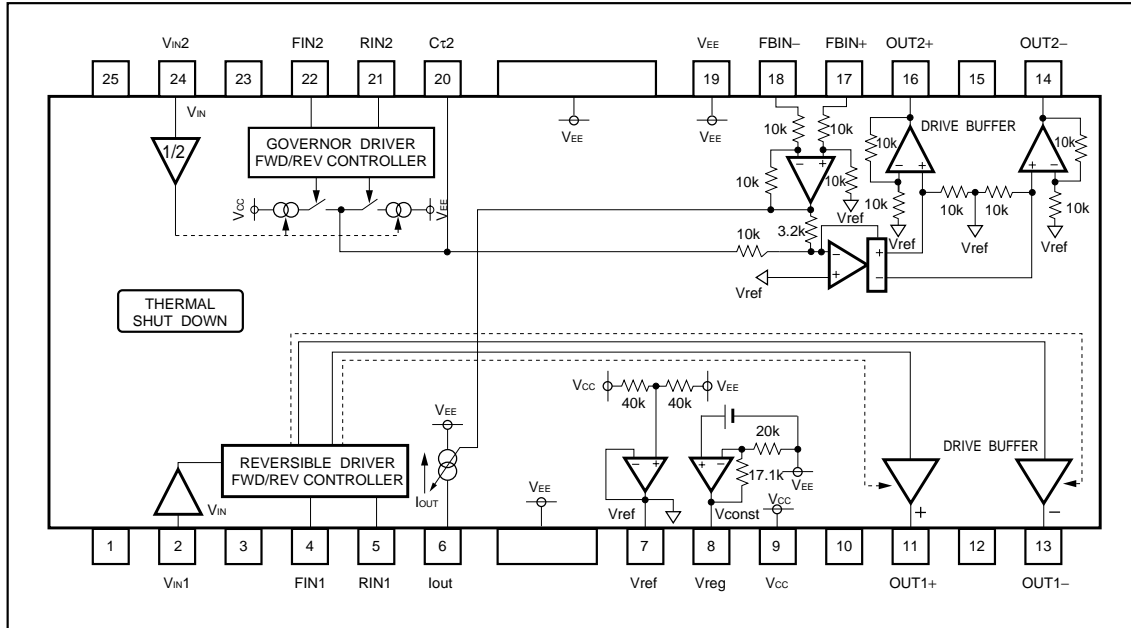


Pin No.	Pin name	I/O	Function
1	V _{IN1}	I	Input pin for setting high output voltage for the reversible driver
2	FIN1	I	Input pin for forward control signal for the reversible driver
3	RIN1	I	Input pin for reverse control signal for the reversible driver
4	I _{OUT}	O	Governor load current detector output (open collector*1)
5	V _{ref}	O	Internal reference voltage pin
6	V _{reg}	O	4.6V constant voltage output
7	V _{CC}	I	Power supply (+)
8	OUT1+	O	Reversible driver output (+)
9	OUT1-	O	Reversible driver output (-)
10	OUT2-	O	Governor output (-)
11	OUT2+	O	Governor output (+)
12	FBIN+	I	Governor load current detector amplifier input (+)
13	FBIN-	I	Governor load current detector amplifier input (-)
14	V _{EE}	I	Power supply (-) (connection within substrate)
15	Cτ2	I	For connection of capacitor for the governor PWM filter
16	RIN2	I	Governor reverse control signal input
17	FIN2	I	Governor forward control signal input
18	V _{IN2}	I	Input pin for setting high output voltage for the governor

*1 Refer to operating notes.

Optical disc ICs

BA6780FP-Y



Pin No.	Pin name	I/O	Function
1	N.C.	-	
2	V _{IN1}	I	Input pin for setting high output voltage for the reversible driver
3	N.C.	-	
4	FIN1	I	Input pin for forward control signal for the reversible driver
5	RIN1	I	Input pin for reverse control signal for the reversible driver
6	I _{OUT}	O	Governor load current detector output (open collector*1)
7	V _{ref}	O	Internal reference voltage pin
8	V _{reg}	O	4.6V constant voltage output
9	V _{CC}	I	Power supply (+)
10	N.C.	-	
11	OUT1+	O	Reversible driver output (+)
12	N.C.	-	
13	OUT1-	O	Reversible driver output (-)
14	OUT2-	O	Governor output (-)
15	N.C.	-	
16	OUT2+	O	Governor output (+)
17	FB IN +	I	Governor load current detector amplifier input (+)
18	FB IN -	I	Governor load current detector amplifier input (-)
19	V _{EE}	I	Power supply (-) (connection within substrate)
20	C _{T2}	I	For connection of capacitor for the governor PWM filter
21	R IN 2	I	Governor reverse control signal input
22	F IN 2	I	Governor forward control signal input
23	N.C.	-	
24	V _{IN2}	I	Input pin for setting high output voltage for the governor
25	N.C.	-	

*1 Refer to operating notes.

Optical disc ICs

●Input / output circuits () :pins for BA6780FP-Y)

Pin function	Equivalent circuit
Logic input	
Voltage setting input	
For connection of capacitor for PWM filter	
Load current detector	

Optical disc ICs

Pin function	Equivalent circuit
<p>Output (reversible driver)</p>	
<p>Output (governor)</p>	
<p>Load current detector signal output (governor)</p>	

Optical disc ICs

●Electrical characteristics (unless otherwise noted, Ta = 25°C, Vcc = 10V) (*1 BA6780FP-Y)

Parameter	Symbol	Min.	Typ.	Max.	Unit	Conditions
Quiescent current	I _Q	–	8.0	16.0	mA	Open mode with no load
Mute on voltage	V _{CC1}	–	–	3.5	V	Mute on voltage when V _{CC} falls
Mute off voltage	V _{CC2}	5.5	–	–	V	Mute off voltage when V _{CC} rises
Vref input voltage range	V _{IN}	0	–	4	V	–
Vref pin current	I _{IN}	–	0.02	1.0	μA	–
PWM input high level voltage	V _{IH}	4.0	–	–	V	With V _{CC} as the reference potential
PWM input low level voltage	V _{IL}	–	–	1.0	V	With V _{CC} as the reference potential
PWM input high level current	I _{IH}	–	–	100	μA	–
PWM input low level current	I _{IL}	–1.0	–	1.0	μA	–

<Electronic governor>

Output offset voltage	V _{OF}	–100	0	100	mV	R _L (load)=9Ω, R _O (current detector)=0.6Ω
Max. pin-to-pin output voltage	V _{OM}	6.0	6.5	–	V	R _L (load)=9Ω, R _O (current detector)=0.6Ω
Pin-to-pin output voltage 1-1	V _{OUT11}	4.2	4.7	5.2	V	Forward mode
Pin-to-pin output voltage 1-2	V _{OUT12}	–5.2	–4.7	–4.2	V	Reverse mode
Pin-to-pin output voltage 1-3	V _{OUT13}	–100	0	100	mV	Brake mode
Pin-to-pin output voltage 1-4	V _{OUT14}	–50	0	50	mV	Stop mode
Voltage gain of positive feedback amplifier	G _{VNF}	20.5	22.0	23.5	dB	V _{ref} =0V, V _{IN} =–20dBV, f=1kHz

<Reversible driver>

Output saturation voltage	V _{CESAT}	–	1.0	2.1	V	I _O =100mA, V _{IN2} =5V, Total of upper side and lower side ineffective voltage of output Tr
Pin-to-pin output voltage 2-1	V _{OUT21}	4.5	5.0	5.5	V	Forward mode
Pin-to-pin output voltage 2-2	V _{OUT22}	–5.5	–5.0	–4.5	V	Reverse mode
Pin-to-pin output voltage 2-3	V _{OUT23}	–50	0	50	mV	Brake mode
Pin-to-pin output voltage 2-4	V _{OUT24}	–50	0	50	mV	Stop mode
Output load fluctuation	V _{OUT}	–	200	400	mV	Difference in output voltage for I _O =400mA and I _O =100mA

<4.6V constant-voltage output>

Output voltage	V _{REG}	4.35	4.60	4.85	V	–
Output load fluctuation (source)	V _{OSO}	–20	–5	–	mV	1mA source
Output load fluctuation (sink)	V _{OSSI}	–	5	20	mV	1mA sink

© Not designed for radiation resistance.

Optical disc ICs

● Measurement circuit
BA6780

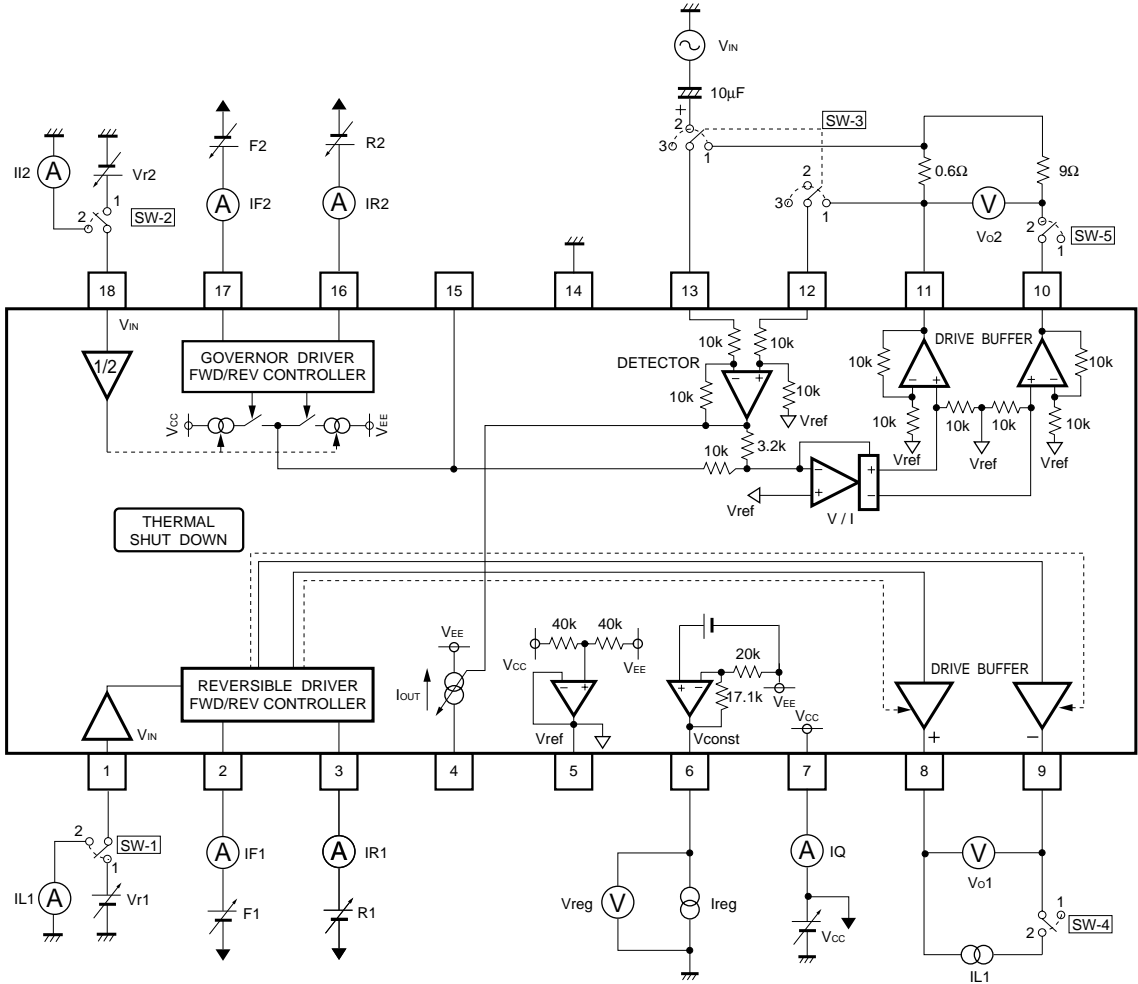


Fig.1

Optical disc ICs

BA6780FP-Y

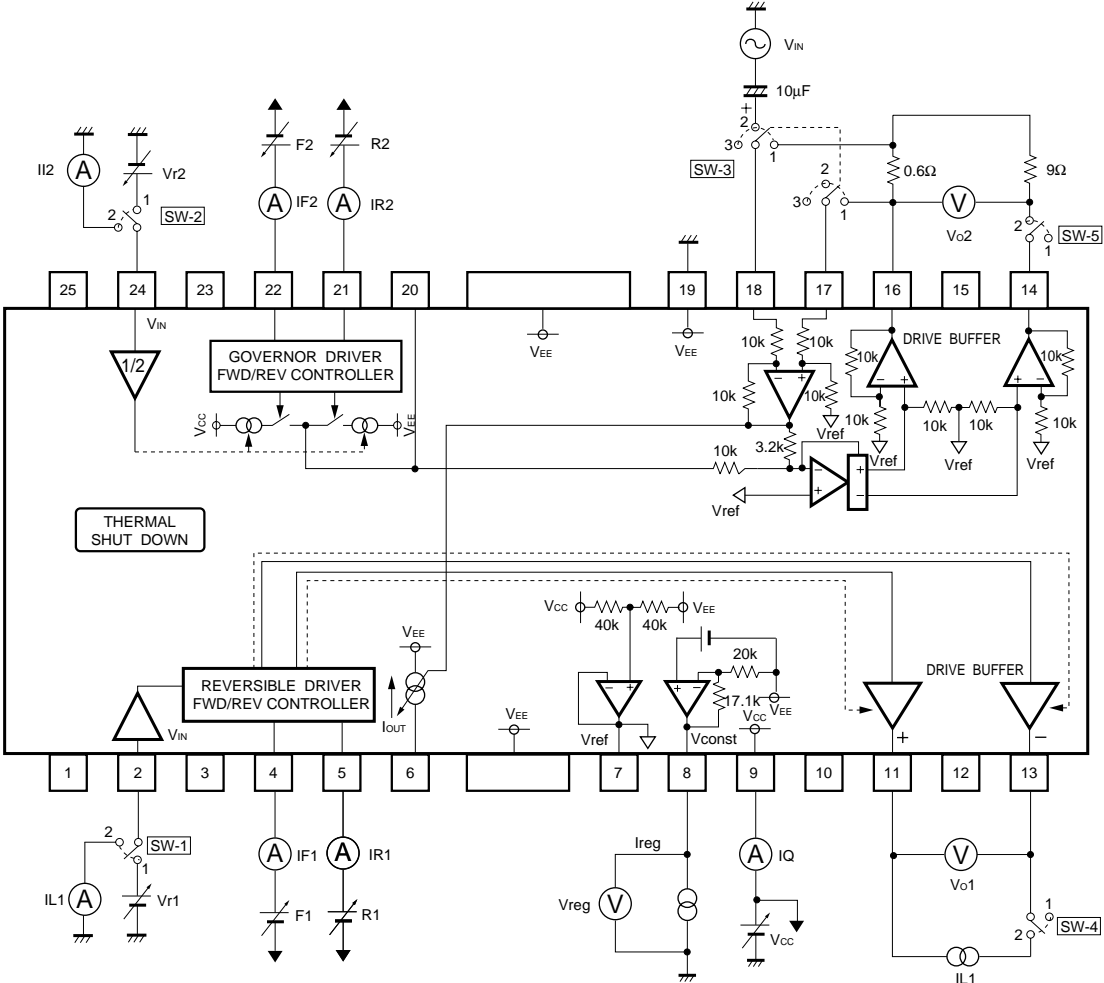


Fig.2

Optical disc ICs

●Measurement circuit switch table
BA6780 / BA6780FP-Y

Parameter	SW					Input								Conditions	Measurement	
	SW1	SW2	SW3	SW4	SW5	Vr1	Vr2	F1	R1	F2	R2	V _{IN}	IL1			
Quiescent current	1	1	3	1	1	0	0	0	0	0	0	-	-	-	IQ	
Mute on voltage	1	1	3	1	1	2	0	0	5	0	0	-	-	V _{CC} swept down from 10V	Vo1	
Mute off voltage	1	1	3	1	1	2	0	0	5	0	0	-	-	V _{CC} swept up from 0V	Vo1	
Vref input voltage range	1	1	3	1	2	*1	*1	0	5	0	5	-	-	*1 Check for abnormality in output in Vr1 and Vr2 input range	Vo1 Vo2	
Vref pin current	2	2	3	1	1	0	0	0	0	0	0	-	-	-	II1 II2	
PWM input high level voltage	1	1	3	1	2	2	2	*2	*2	*2	*2	-	-	*2 Sweep the F/R input, and check that the mode switching is occurring in a range that satisfies the rated values	Vo1	
PWM input low level voltage	1	1	3	1	2	2	2	*2	*2	*2	*2	-	-		Vo2	
PWM input high level current	1	1	3	1	1	0	0	5	5	5	5	-	-	-	IF1 IF2	
PWM input low level current	1	1	3	1	1	0	0	5	5	5	5	-	-	-	IR1 IR2	
<Electronic governor>																
Output offset voltage	1	1	1	1	2	0	0	0	0	5	5	-	-	-	Vo2	
Max. pin-to-pin output voltage	1	1	3	1	2	0	4	0	0	0	5	-	-	-	Vo2	
										5	0					
Pin-to-pin output voltage 1-1	1	1	1	1	2	0	2.5	0	0	0	5	-	-	-	Vo2	
Pin-to-pin output voltage 1-2	1	1	1	1	2	0	2.5	0	0	5	0	-	-	-	Vo2	
Pin-to-pin output voltage 1-3	1	1	1	1	2	0	2.5	0	0	5	5	-	-	-	Vo2	
Pin-to-pin output voltage 1-4	1	1	1	1	2	0	2.5	0	0	0	0	-	-	-	Vo2	
Voltage gain of positive feedback amplifier	1	1	2	1	1	0	0	0	0	5	5	*3	-	*3 -20dBV, 1kHz	Vo2	
<Reversible driver>																
Output saturation voltage	1	1	1	2	1	5	0	0	5	0	0	-	-	*4	*4 100mA (take care with polarity)	V _{CC} -Vo1
								5	0							
Pin-to-pin output voltage 2-1	1	1	3	2	1	2.5	0	0	5	0	0	-	*5	*5 100mA (take care with polarity)	Vo1	
Pin-to-pin output voltage 2-2	1	1	3	2	1	2.5	0	5	0	0	0	-				
Pin-to-pin output voltage 2-3	1	1	3	1	1	2.5	0	5	5	0	0	-				
Pin-to-pin output voltage 2-4	1	1	3	1	1	2.5	0	0	0	0	0	-				
Output load fluctuation	1	1	3	2	1	2.5	0	0	5	0	0	-	-	*6	*6 Difference in output voltage for I=400mA and I=100mA	Vo1
								5	0							
<4.6V constant-voltage output>																
Output voltage	1	1	3	1	1	0	0	0	0	0	0	-	-	-	Vreg	
Output load fluctuation (source)	1	1	3	1	1	0	0	0	0	0	0	-	-	Source I _{reg} =1mA	Vreg	
Output load fluctuation (sink)	1	1	3	1	1	0	0	0	0	0	0	-	-	Sink I _{reg} =1mA	Vreg	

Optical disc ICs

●Application example
BA6780

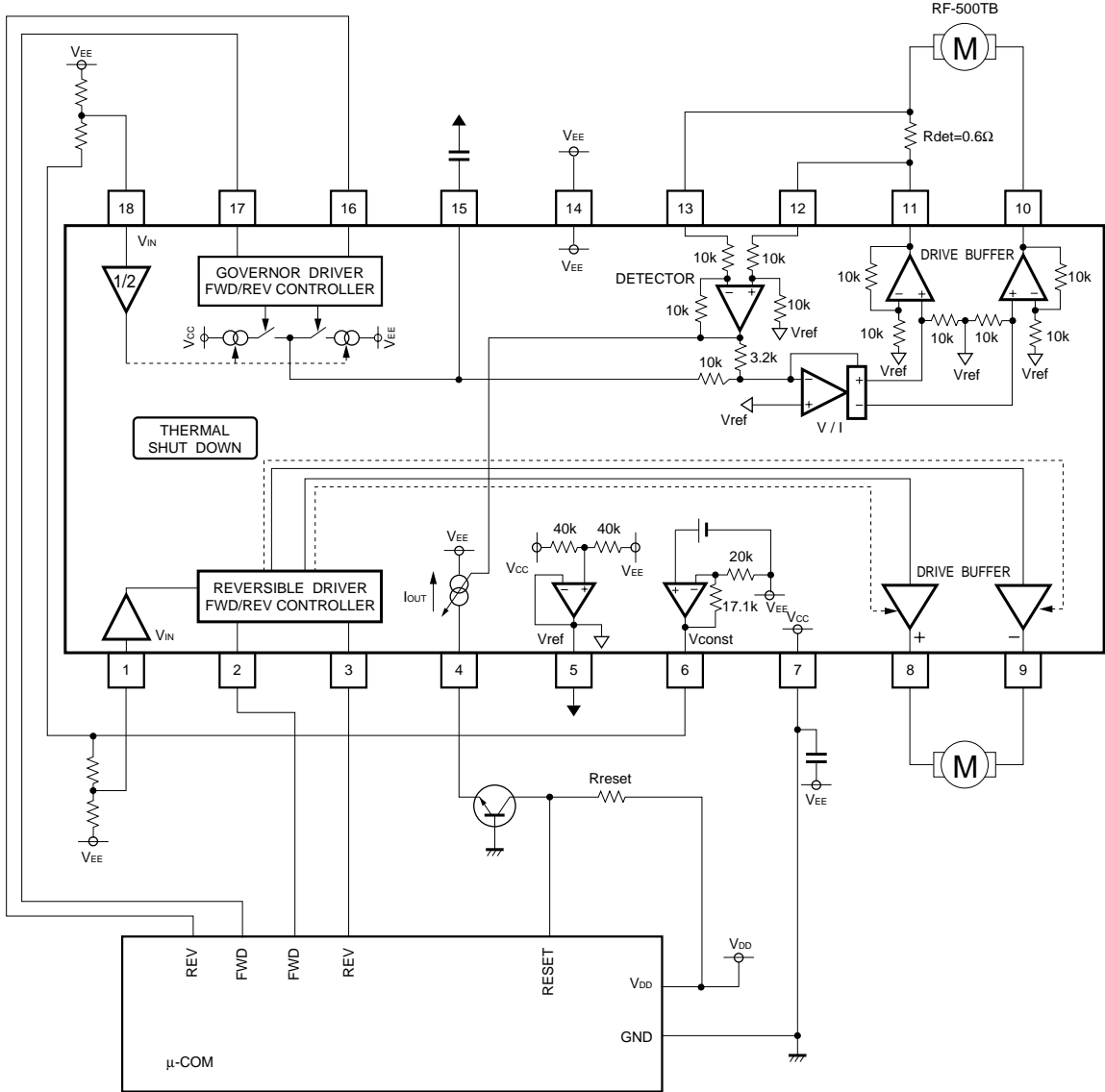


Fig.3

Optical disc ICs

BA6780FP-Y

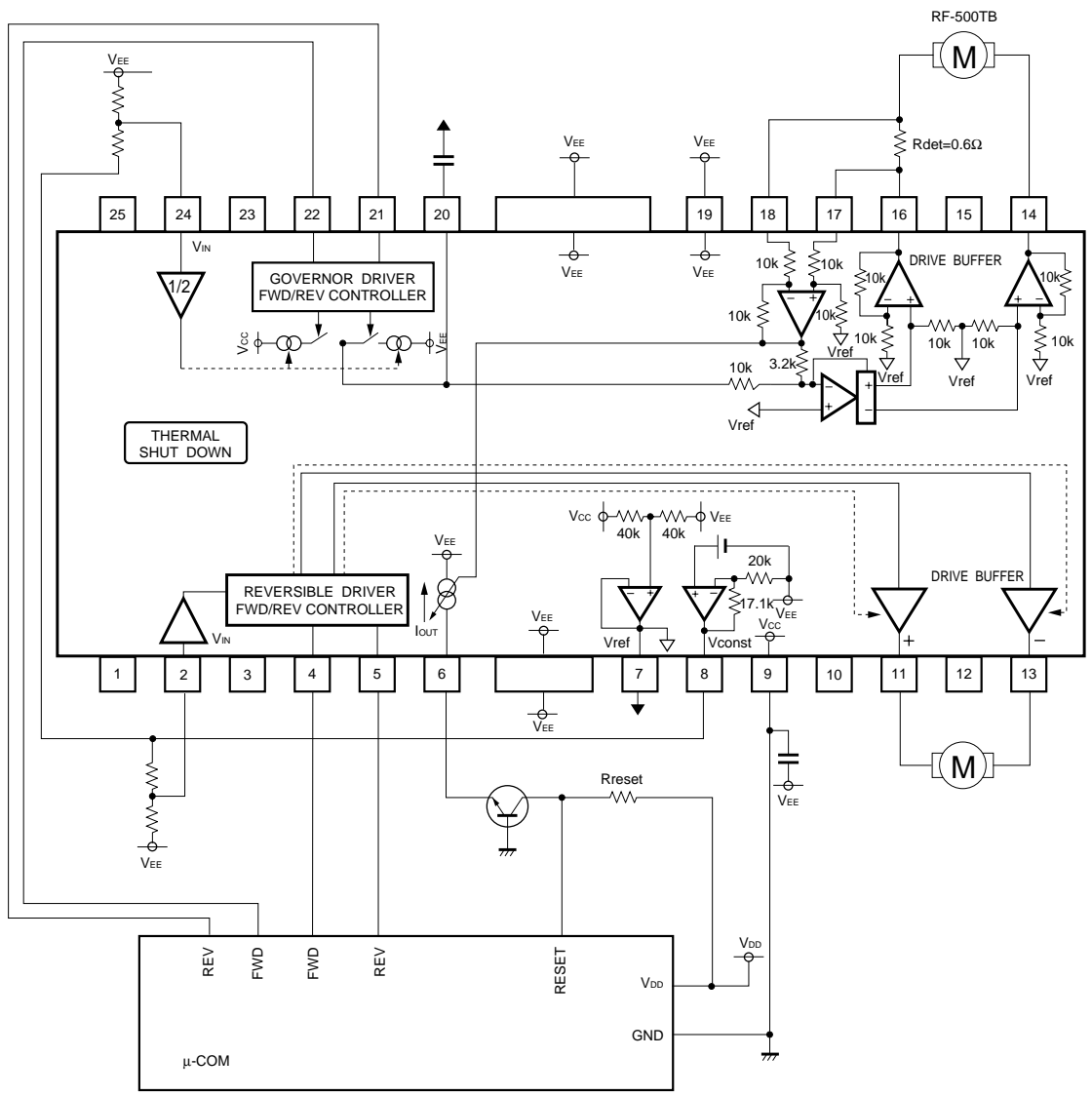


Fig.4

Optical disc ICs

●Input / output truth table

<Reversible drive>

FIN	RIN	OUT (+)	OUT (-)	Mode
L	H	H	L	Forward mode
H	L	L	H	Reverse mode
H	H	L	L	Brake mode
L	L	OPEN	OPEN	Open mode

<Governor drive>

FIN	RIN	OUT (+)	OUT (-)	Mode
L	H	H	L	Forward mode
H	L	L	H	Reverse mode
H	H	$V_{CC} / 2$	$V_{CC} / 2$	Brake mode
L	L	OPEN	OPEN	Open mode

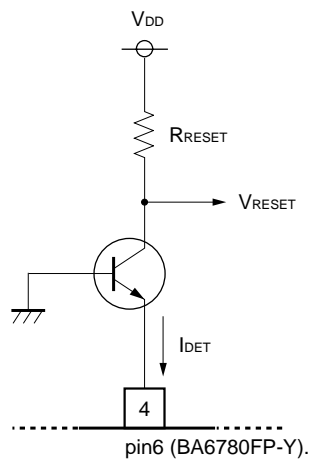
●Using the load current detector output pin (pin 4)

Refer to the example circuit on the right for the connection method. The V_{RESET} value is determined as follows :

$$I_{DET} = \frac{I_O \times R_{DET}}{3.2k\Omega} \quad V_{RESET} = V_{DD} - I_{DET} \times R_{RESET}$$

$$\therefore V_{RESET} = V_{DD} - \frac{I_O \times R_{DET} \times R_{RESET}}{3.2k\Omega}$$

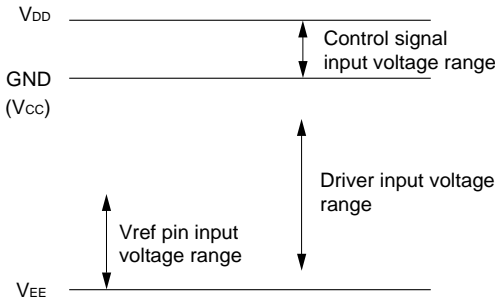
(R_{DET} is the load current detector resistance, refer to the application circuit)



Optical disc ICs

●Operation notes

- (1) The BA6780 and BA6780FP-Y have built in shutdown circuit that mute the output current when the chip temperature reaches 175°C (Typ.). The hysteresis is set to 25°C (Typ.), so the mute will be released when the chip temperature falls to 150°C (Typ.).
- (2) The output current is muted when the supply (V_{CC}) falls to 3V or less. When the mute is applied, the reverse driver is set to to the V_{EE} level, and governor driver is set to the V_{EE} / 2 level.
- (3) The V_{CC} voltage level is the reference for the logic input pin input voltage, so when it is converted from the V_{EE} potential, the high level becomes (V_{CC}+5) V, and the low level becomes (V_{CC}) V. The voltage potential levels for the pins are shown in the diagram below.
- (4) Connect a bypass capacitor at the base of this IC for the power supply.



●Electrical characteristic curves

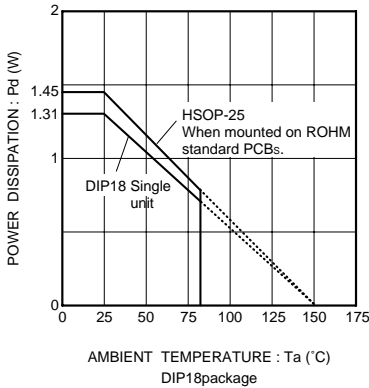


Fig.5 Thermal dissipation curve

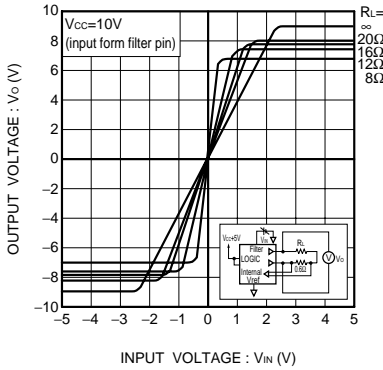


Fig.6 I / O characteristics with governor connected

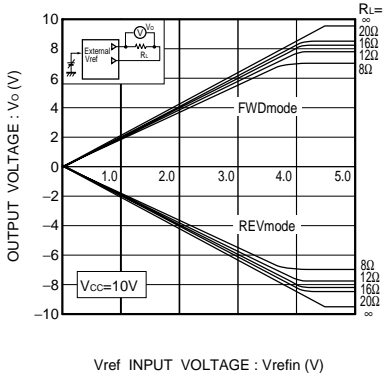


Fig.7 Reversible driver I / O characteristics

Optical disc ICs

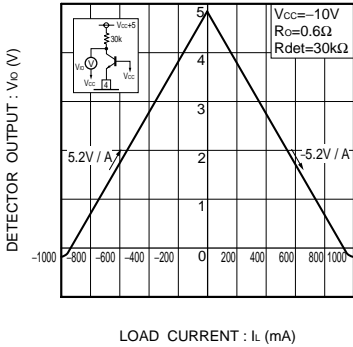


Fig.8 Load current detector output characteristics

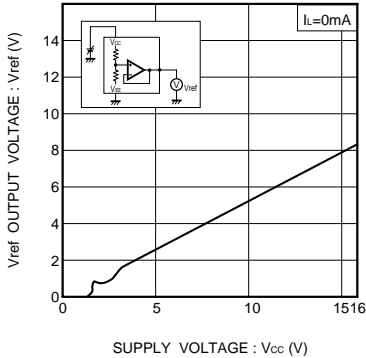


Fig.9 Internal Vref output characteristics

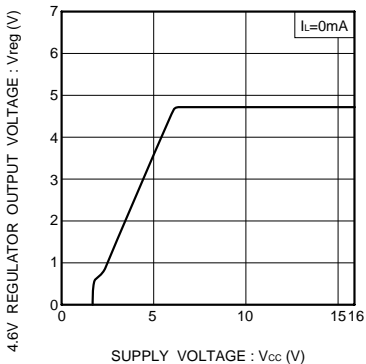


Fig.10 4.6V constant-voltage source output voltage characteristics

External dimensions (Units : mm)

