

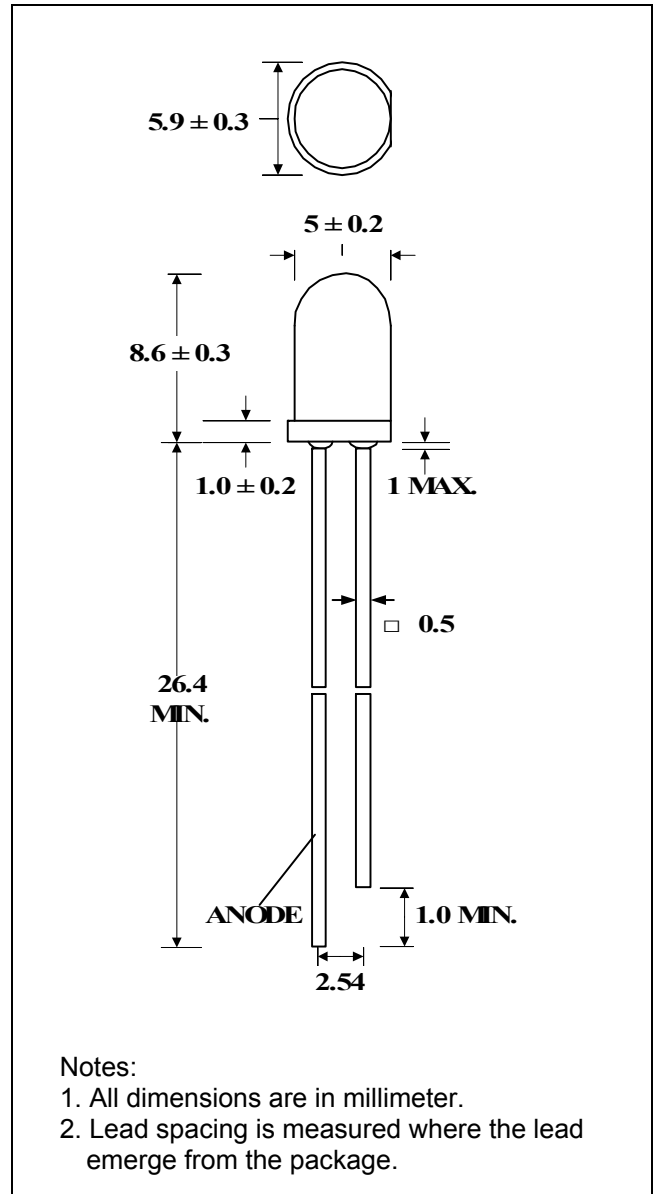
**B5-230-JD**

**DESCRIPTION**

- Super bright LED Lamp
- Round type
- T1-3/4 (5mm) diameter
- Lens color: Amber Transparent
- With Flange
- Solder leads without stand-off

**FEATURES**

- Emitted color: Golden White
- High Luminous intensity
- Technology: InGaN
- Typical emission color: x=0.5, y=0.45
- Viewing angle: 30 °



**SELECTION GUIDE**

Chip Material	Emitted Color	Lens Color	Viewing Angle
InGaN	Golden White	Amber Transparent	30°

**B5-230-JD**

**ABSOLUTE MAXIMUM RATINGS**

(Ta=25°C)

PARAMETER	SYMBOL	MAX. RATING	Unit
Power Dissipation	P <sub>D</sub>	120	mW
Peak Forward Current (1/10 Duty Cycle @1KHz )	I <sub>PF</sub>	100	mA
Continuous Forward Current	I <sub>AF</sub>	30	mA
Reverse Voltage	V <sub>R</sub>	5.0	V
Operating Temperature Range	T <sub>OPR</sub>	-20~+80	°C
Storage Temperature Range	T <sub>STG</sub>	-30~+100	°C

Solder temperature 1.6 mm from body for 3 seconds at 260 °C

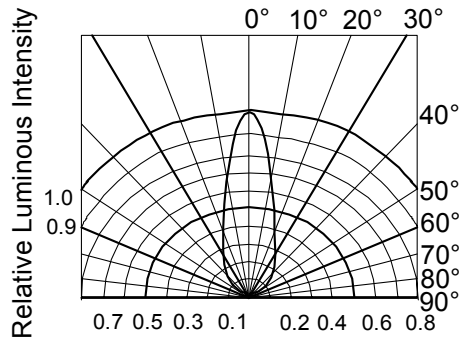
**OPTICAL-ELECTRICAL CHARACTERISTICS**

PARAMETER	SYMBOL	TEST CONDITION	MIN	TYP	MAX	UNIT
Luminous Intensity	I <sub>v</sub>	I <sub>F</sub> = 20mA	2400	3500		mcd
Forward Voltage	V <sub>F</sub>	I <sub>F</sub> = 20mA		3.5	4.0	V
Reverse Current	I <sub>R</sub>	V <sub>R</sub> = 5V			10	uA
Viewing Angle	2θ1/2	I <sub>F</sub> = 20mA		30		deg.

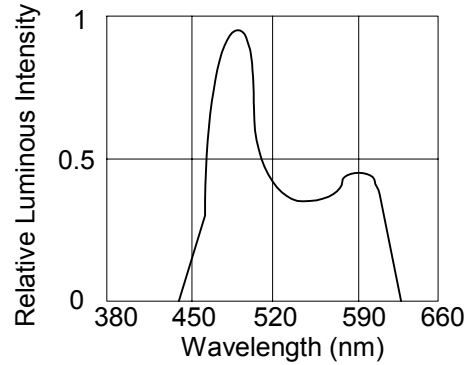
\*Tolerance of Viewing Angle: -10 / +5 deg.

**B5-230-JD**

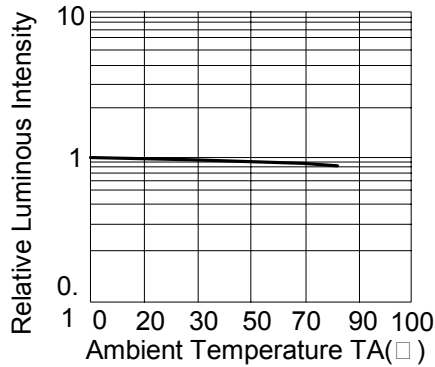
**TYPICAL OPTICAL-ELECTRICAL CHARACTERISTIC CURVES**



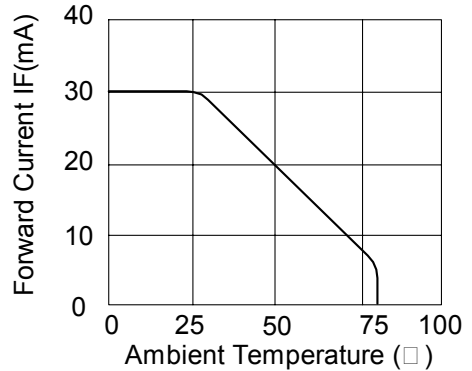
**RADIATION DIAGRAM**



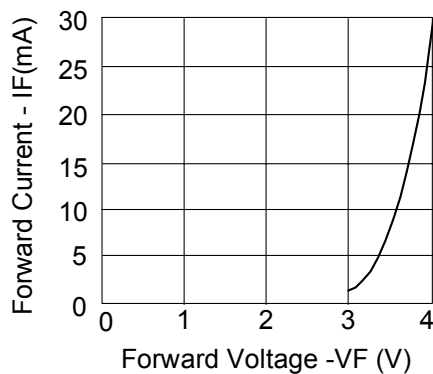
**RELATIVE LUMINOUS INTENSITY Vs. WAVELENGTH**



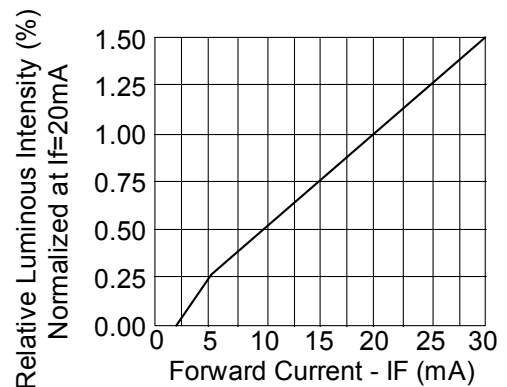
**LUMINOUS INTENSITY Vs. AMBIENT TEMPERATURE**



**FORWARD CURRENT Vs. AMBIENT TEMPERATURE**



**FORWARD CURRENT Vs. FORWARD VOLTAGE**



**LUMINOUS INTENSITY Vs. FORWARD CURRENT**