

AUGC20DH THRU AUGC20MH
● FEATURES

- * Halogen-free type, compliance to RoHS product
- * Fully glass passivated chip junction
- * GPRC (Glass passivated rectifier chip) inside
- * Max. junction temperature 175
- * Ultra low profile package
- * Super low leakage current, forward voltage drop
- * Ideal for automated placement
- * Lead less chip form, no lead damage
- * Low power loss, High efficiency
- * High forward surge capability
- * Meets MSL Level 1, per J-STD-020, LF maximum peak of 260
- * Plastic package has Underwriters Laboratory Flammability Classification 94V-0
- * Comply with AEC-Q101

● APPLICATION

- * General purpose rectification
- * Surge absorption
- * Automotive

● MECHANICAL DATA

Case : Packed with FRP substrate and epoxy underfilled

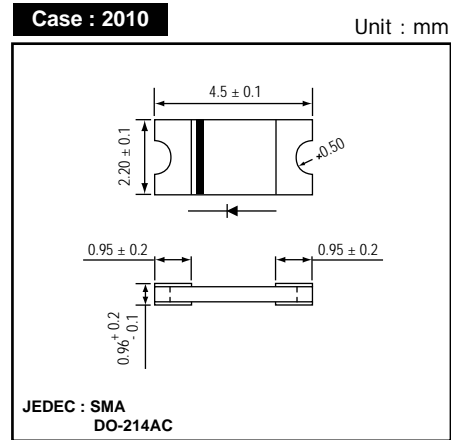
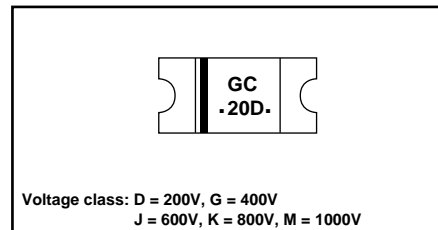
Terminals : Pure Tin plated (Lead-Free), solderable per MIL-STD-750, Method 2026.

Polarity : Cathode Band, Laser marking

Weight : 0.02 gram

● PACKING

- * 3,000 pieces per 7" (178mm ± 2mm) reel
- * 4 reels per box
- * 6 boxes per carton

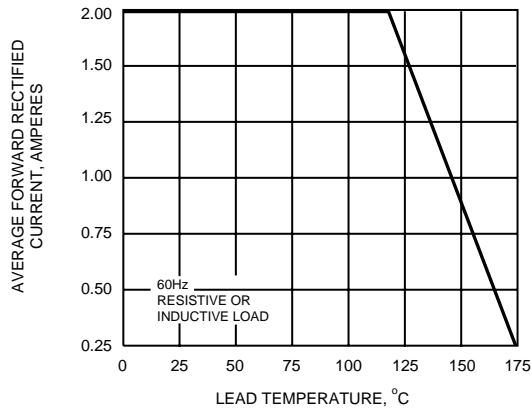
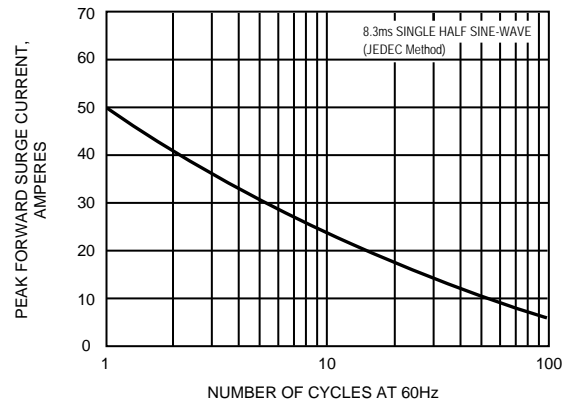
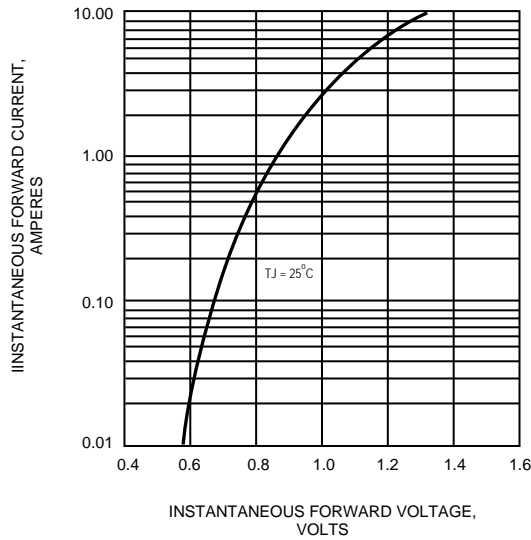
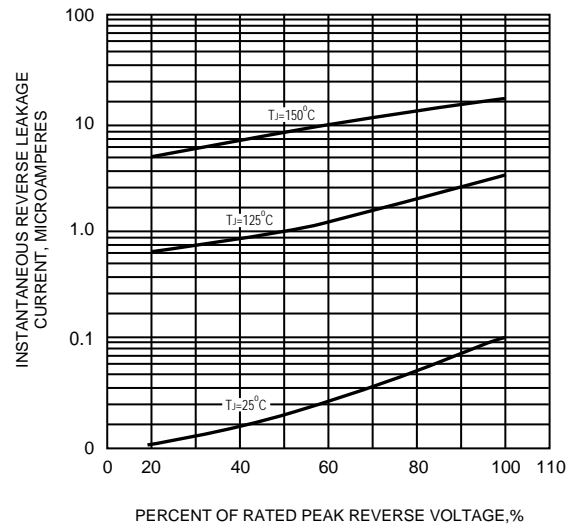
● OUTLINE DIMENSIONS

● MARKING

Absolute Maximum Ratings (Ta = 25 °C)

ITEM	Symbol	Rating					Unit
		AUGC20DH	AUGC20GH	AUGC20JH	AUGC20KH	AUGC20MH	
Repetitive peak reverse voltage	VRRM	200	400	600	800	1000	V
Average forward current	IF(AV)	2.0					A
Peak forward surge current (8.3ms single half sine-wave)	IFSM	50					
Operating junction temperature Range	Tj	-65 to +175					°C
Storage temperature Range	TSTG	-65 to +175					

Electrical characteristics (Ta = 25 °C)

ITEM	Symbol	Conditions	Min.	Typ.	Max.	Unit
Forward voltage	VF	IF = 2.0A	-	0.96	1.00	V
Repetitive peak reverse current	IRRM	VR = Max. VRRM, Ta = 25 °C	-	0.10	5	uA
Junction capacitance	Cj	VR = 4V, f = 1.0 MHz	-	15	-	pF
Thermal resistance	Rth(JA)	Junction to ambient (NOTE)	-	85	-	°C/W
	Rth(JL)	Junction to lead (NOTE)	-	16	-	

NOTES : (1) Thermal resistance from junction to ambient and from junction to lead P.C.B. mounted on 0.2 x 0.2" (5.0 x 5.0mm) copper pad areas.
(2) Preliminary draft.

FIG.1 - FORWARD CURRENT DERATING CURVE

FIG.2 - MAXIMUM NON-REPETITIVE PEAK FORWARD SURGE CURRENT

FIG.3 - TYPICAL INSTANTANEOUS FORWARD CHARACTERISTICS

FIG.4 - TYPICAL REVERSE CHARACTERISTICS

FIG.5 - TYPICAL JUNCTION CAPACITANCE
