

ARX2412

Data Terminal Manchester Converter for MIL-STD-1553

Features

- PERFORMS FUNCTIONS COMMON TO MIL-STD-1553
 - ENCODE
 - DECODE
 - ADDRESS RECOGNITION
- THREE STATE PARALLEL I/O
- SELF TEST CAPABILITY
- MIL-PRF-38534 COMPLIANT CIRCUITS AVAILABLE
- SMALL SIZE – REPLACEMENT FOR DDC8937 MODEL NUMBER
- 5V DC OPERATION
- FULL MILITARY (-55°C TO +125°C) TEMPERATURE RANGE



General Description

The Aeroflex Circuit Technology Model ARX2412 Manchester Converter is a self contained, 48pin, triple-in-line hybrid package designed to perform: encode, decode, logic and control functions in a MIL-STD-1553, A and B multiplex data system. It Provides the necessary interface between transceivers and a three state parallel 16 bit bus of the protocol logic section of a subsystem remote terminal or controller.

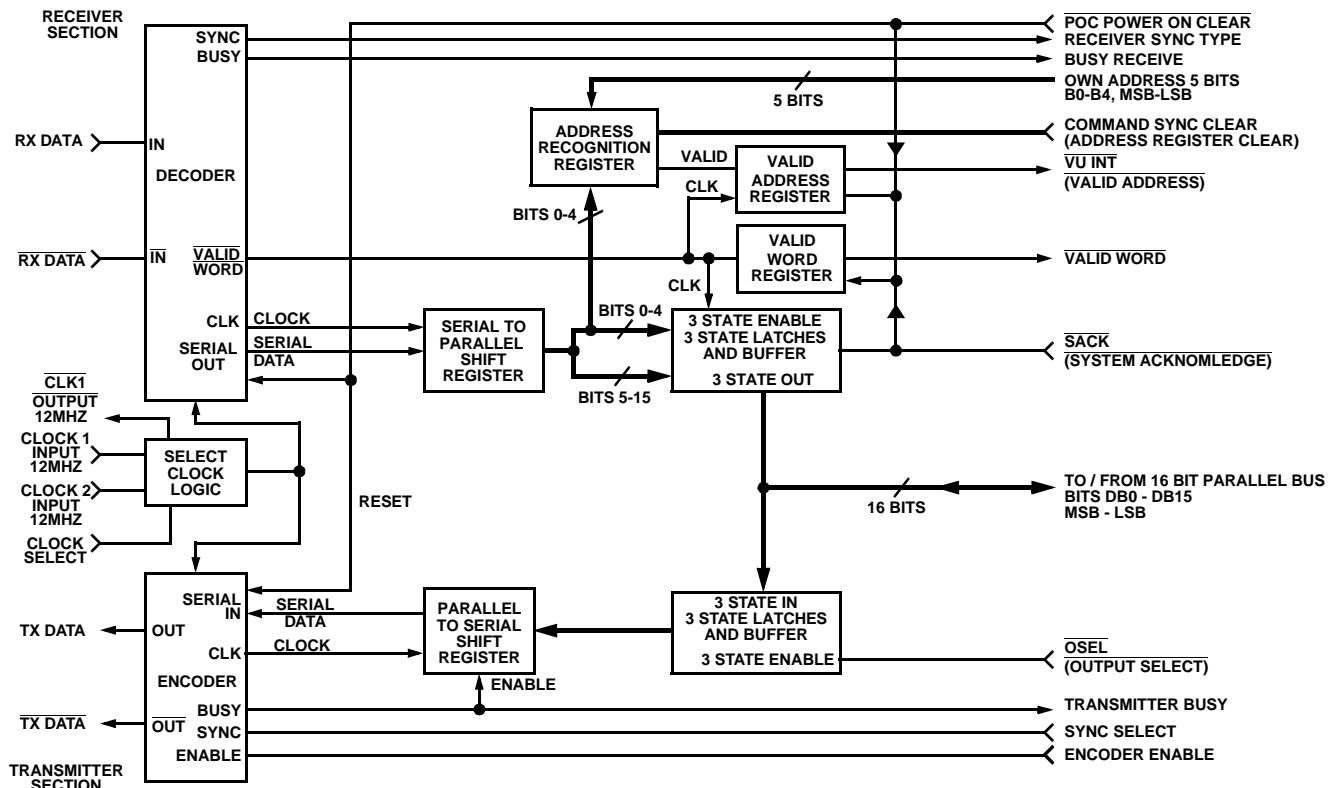


Figure 1 – FUNCTIONAL BLOCK DIAGRAM

Specifications

Parameter	Units	Value
External Clock Oscillator Type (12MHz)	TTL	As per MIL-STD-1553 A/B long and short term
Power Supply Characteristics Voltage Input Current	Vdc mA	+5.0 ±5% 200 max
Thermal Characteristics Operating Current Storage Current	°C °C	-55 to +125 (Case Temperature) -55 to +150
Physical Characteristics Weight Size	oz in.	0.7 (20g) approx. 1.7 x 1.1 x 0.2 (43 x 28 x 5.1 mm)

Theory of Operation

This section provides a detailed functional description of the MIL-STD-1553A/B Command/Response Manchester II converter (hereinafter referred to as Converter) and is intended for use with the timing diagrams shown in Figures 2 and 3.

GENERAL

POWER ON CLEAR (POC): A logic "0" input applied at turn-on initializes all of the internal logic. This signal clears the encoder/decoder internal counters and initializes the encoder and decoder functions. This can also be used to abort a transmission.

DECODER OPERATION

As seen in Figure 1, Functional Block Diagram, the converter interfaces directly with the MIL-STD-1553 transceiver by means of four lines, namely Tx DATA, $\overline{\text{Tx DATA}}$, Rx DATA, and $\overline{\text{Rx DATA}}$. In the decode mode of operation, the converter normally needs logic lows (OFF Mode) on Rx DATA and $\overline{\text{Rx DATA}}$. Whenever the MIL-STD-1553 data bus is active, the MIL-STD-1553 transceiver will output signals that are similar to those illustrated in Figure 2 (Rx DATA and $\overline{\text{Rx DATA}}$) to the converter. Approximately 5µsec after the converter has detected the first transition change in, the Rx DATA input line, the Received Busy output line will activate from a low to high state and remain high for 16µsec. During this period, the internal Encoder/Decoder is shifting serial data out and the information is being clocked into an internal 16 bit serial to parallel shift register. The Receiver

Busy line will go low after 16µsec, and will remain low for 4µsec if another 20 bit word immediately follows the first word. The second word will cause Receiver Busy to go high for another 16µsec time interval. This sequence continues until no additional information is to be processed.

At approximately the same time as the first Receiver Busy low to high transition, the Receiver Sync Type line will go high if a command or status sync field is detected by the internal decoder. It too will remain high for 16µsec. If a data sync field is detected by the decoder, the Receiver Sync Type line will remain in the low state. During the receiver busy time the decoder shifts serial data out to the serial to parallel shift register, regardless of whether the data is valid or not. However, the stored data is not shifted into the 3-state output buffer unless a Valid Word indication occurs. This signal is designated Valid Word. Valid Word performs three functions within the converter: strobes the 16 bit parallel word into the 3-state output buffer, strobes the address recognition function and indicates to the subsystem user that a valid 16 bit word is now ready to be processed. A high to low transition on the Valid Word line will indicate the receipt of a Valid Word.

The first five bits of a 16 bit command word represent the terminal address. The bits are decoded, shifted through the serial to parallel shift register and compared to the five lines in the address recognition register (own address, B0 (MSB) thru B4). If a command word is received, and the own address lines and decoder remote terminal address bits correspond, and Valid Word occurs, then a Valid Address Signal ($\overline{\text{VU INT}}$) will

occur going from a logic "1" to logic "0". This signal transitions at the same time as Valid Word. Upon detecting a Valid Word output, the user subsystem must respond with a signal called System Acknowledge (SACK). A high to low input to the converter will set both Valid Word and $\overline{\text{VU INT}}$ (if occurred) to their original high states. These two outputs are then ready to analyze the next received 20 bit word. At the same time, SACK will enable the output 3-state buffer for data readout on the 16 parallel data lines. The user subsystem has up to 20 μ sec to process the data before the next 20 bit word is ready to be latched in the output buffer. A return to the high state on SACK will cause the 3-state output buffer to return to the high impedance state, completing the conversion of one 20 bit word.

The command sync clear input signal is required to initialize the converter internal logic, set by detection of command or status sync. It also resets Valid Word logic. This input signal must be applied each time a receiver sync type transitions, low to high, occurs but must not occur until the Valid Word transitions high to low. Under certain circumstances, valid address transition may not occur after a valid sync field is recognized.

ENCODER OPERATION

In the encode mode of operation (Figure 3), the converter normally provides logic highs (off mode) on Tx DATA and $\overline{\text{Tx DATA}}$. These two signal lines provide output data in complementary serial phase modulated format to the MIL-STD-1553 transceiver during a transmission. To effect a transmission from the converter, the sequence of events is to first load 16 bit parallel data into the 3-state input buffer. This is achieved by the presentation of an input pulse of logic zero on the Output Select (OSEL) line. Data to the converter must be stable when the OSEL occurs. When the XMTR busy signal goes from low to high, the OSEL may be activated to load the next 16 bit word in preparation for transmission.

Next, the user subsystem must bring the Encoder Enable line high to initiate a transmission. Encoder Enable can be conveniently triggered from the leading or trailing edge of OSEL but must remain high for 1.0 μ sec after the trailing edge of OSEL.

If the Encoder Enable line is allowed to remain high, successive transmissions will result. The transmitter busy line will go high for 16 μ sec every time a 20 bit word is processed through the internal Encoder. Transmitter Busy indicates to the user subsystem that control logic is shifting data from the parallel to serial data buffer to the bi-phase encoder during a

transmit cycle. To terminate a transmission, the Encoder Enable line must be brought low on or before the high to low transition of the current transmitter busy signal.

The remaining signal that is required to make the converter encoder operate properly is the Sync Select input signal. Sync Select is an input from the user subsystem for the purpose of setting the appropriate sync field polarity to correspond with the word to be transmitted. A high on this line will create a command or status sync field, and a low will result in a data sync field. Initially it should be set to a Logic "1" before the encoder enable line is set high, and remain high no later than the high to low transition of the transmitter busy signal.

Application and Operation Information

General

LOGIC COMPATIBILITY

Direct logic compatibility exists with transceiver types which have logical low receiver outputs at times when the bus is not active, such as Models ARX3402/4402 and ARX3411/4411. Use with logical high receiver output devices, such as Aeroflex Models ARX3231/3232 or ARX3404/4404 will necessitate utilization of inverters between transceiver RX outputs and Model ARX2412 RX inputs.

POWER ON CLEAR (POC)

A low on this input line resets all internal registers and initializes the Manchester Converter for transmission of complete messages.

DATA I/O (DB0-DB15)

The 16 bits of input and output are three state lines. Impedance of the receiver section latches is high during transmit cycle. Latched data can be retained for up to 20 μ sec. during input of next data word.

TERMINAL ADDRESS LINES (B0-B4)

Addressing the 5 bit address lines is done by hard wiring. Internal pull up resistors allow logic "1" lines to be open circuited. Logic "0" lines must be tied to ground. When a valid command word incorporating the proper address is received at the input it will cause $\overline{\text{VU INT}}$ to go low.

SELF TEST COMPATABILITY

Self test may be accomplished using a wraparound mode. This is done by switching TX DATA and $\overline{\text{TX DATA}}$ through external multiplexers into RX DATA and $\overline{\text{RX DATA}}$. During this operation the transceiver must be inhibited to avoid extraneous transmission on the bus.

Decoder Operation

RECEIVER DATA (RX DATA) and ($\overline{\text{RX DATA}}$)

Inputs from a compatible transceiver in complementary serial biphasic form.

RECEIVER BUSY (RCVR BUSY)

Outputs status of received information when data is being transferred into the receiver data buffer registers after a valid sync has been received. The line will go high when busy and remain so until the completion of the receive cycle.

RECEIVER SYNC TYPE

Outputs the sync field polarity of each input word and is valid when (RCVR BUSY) signal is high. A high indicates command or status sync; a low indicates data sync.

$\overline{\text{VALID WORD}}$

Transitions from high to low after receipt of a valid sync, 16 data bits and an odd parity bit. Transition back to high indicates that data is now available in the three state output register.

$\overline{\text{SYSTEM ACKNOWLEDGE (SACK)}}$

An input transition from high to low enables readout transfer from output registers onto the parallel data output lines. Duration should be approximately 2 μ sec. The leading edge transition resets $\overline{\text{VALID WORD}}$ and $\overline{\text{VU INT}}$ to high, permitting a new receive cycle.

$\overline{\text{VALID ADDRESS (VU INT)}}$

Output goes low only upon validation of input word and recognition of its internal terminal address.

COMMAND SYNC CLEAR:

This input low must be provided 2 μ sec after each RECEIVER SYNC TYPE low to high transition, and must be no wider than 1 μ sec.

Encoder Operation

$\overline{\text{OUTPUT SELECT (OSEL)}}$

Logic low transfers input data into internal buffer registers for processing.

SYNC SELECT

Prior to initiation of a transmission this line should be set high. Retention of high establishes a command or status sync and a low will produce a data sync. The line should be brought low prior to the high to low transition of the TRANSMITTER BUSY line. For successive transmissions refer to the Transmitter Section Timing Diagram.

ENCODER ENABLE

A logic high starts an encoder cycle. Retention of high permits successive transmissions, which can be avoided by transitioning, to low at least 1 μ sec before XMTR BUSY transition.

TRANSMITTER BUSY (XMTR BUSY)

High is busy indicating that data is being shifted from the input data buffer to the encoder.

TRANSMIT DATA (TX DATA) and ($\overline{\text{TX DATA}}$)

Output from the encoder in complementary serial form. Positive and negative excursions represent digital "1"s and "0"s.

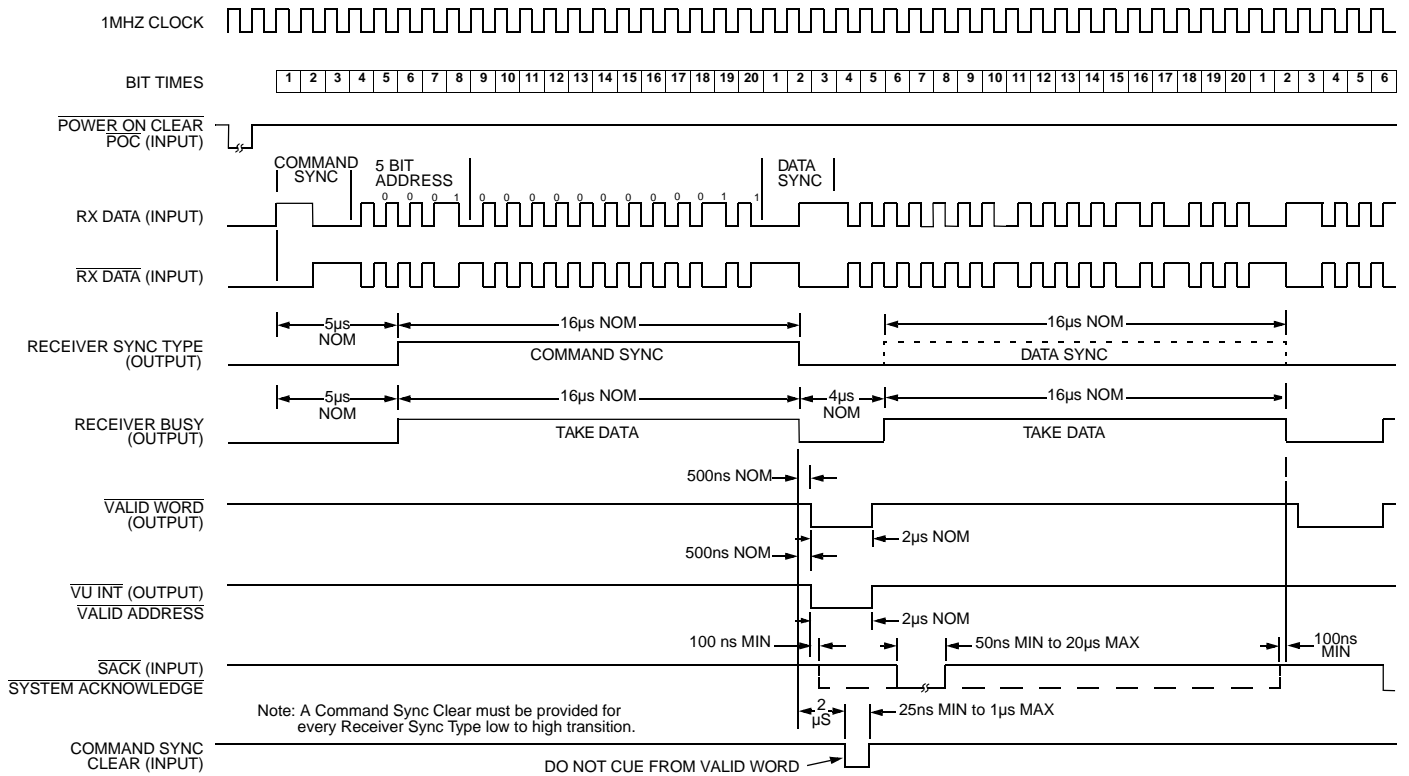


Figure 2 – RECEIVER SECTION TIMING FOR DECODE OPERATION

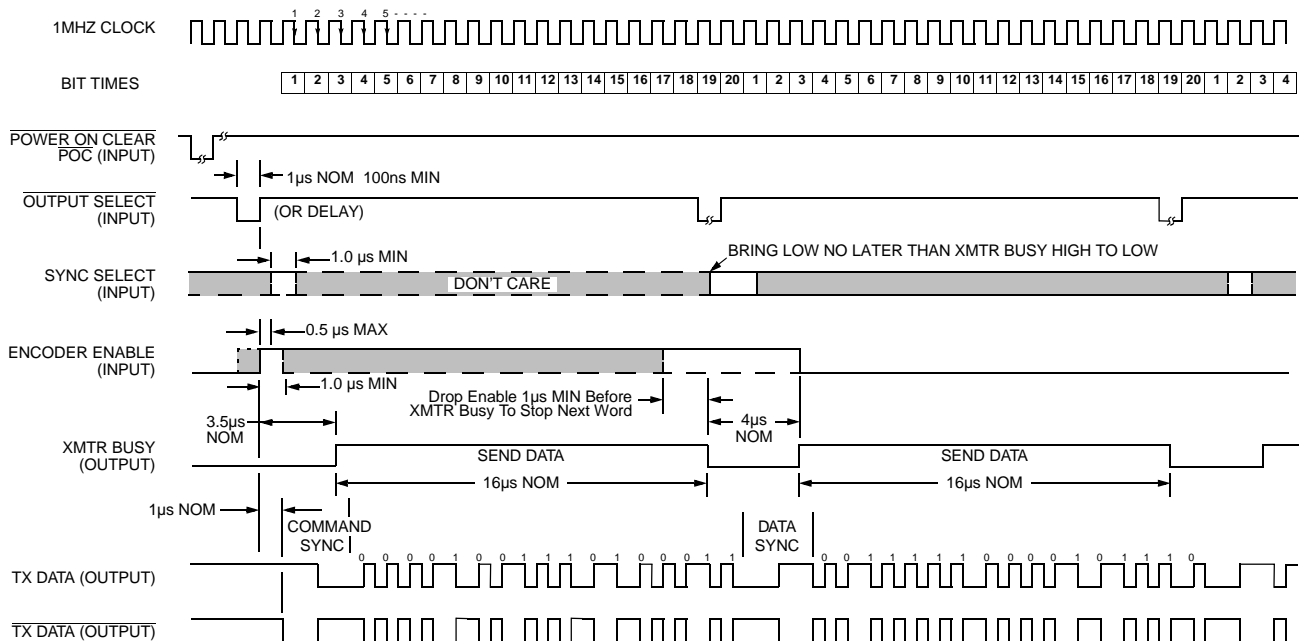


Figure 3 – TRANSMITTER SECTION TIMING FOR ENCODE OPERATION

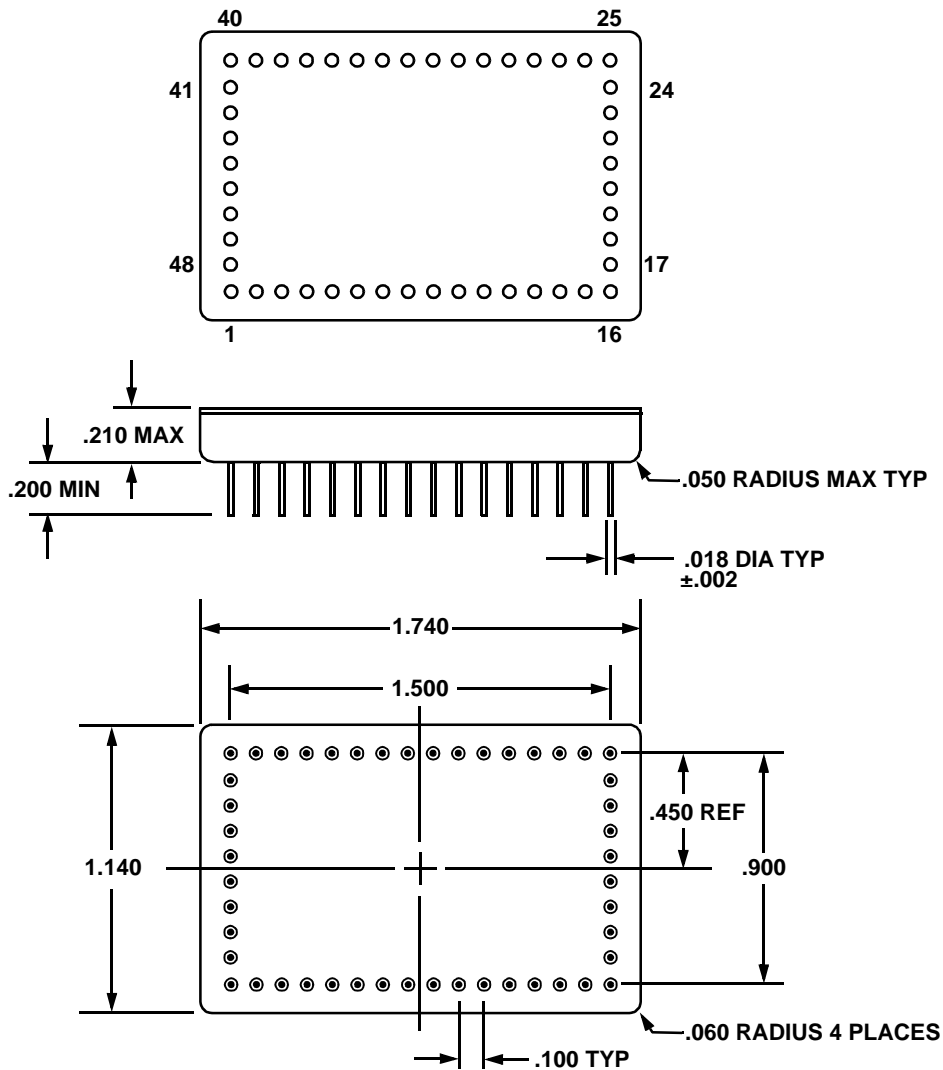
Package Pin Out Description By Pin - ACT2412

Pin #	Function	Input / Output
1 - 16	Parallel Data (DB0 - DB15)	Both
17	No Connection	
18	+5VDC	
19	GND	
20	DSC Out	Output
21	Power On Clear ($\overline{\text{POC}}$)	Input
22	Transmitter Busy (XMTR BUSY)	Output
23	Receiver Busy (RCVR BUSY)	Output
24	Sync Select	Input
25	Encoder Enable	Input
26	System Acknowledge ($\overline{\text{SACK}}$)	Input
27	2 MHZ Out	Output
28	Output Select ($\overline{\text{OSEL}}$)	Input
29	No Connection	
30	Transmitter Data (TX DATA)	Output
31	$\overline{\text{Transmitter Data}}$ ($\overline{\text{TX DATA}}$)	Output
32	Receiver Data (RX DATA)	Input
33	$\overline{\text{Receiver Data}}$ ($\overline{\text{RX DATA}}$)	Input
34	Valid Word	Output
35	Clock 2 Input (12 MHz)	Input
36	$\overline{\text{Clock 1 Output}}$ (12 MHz)	Output
37	Clock 1 Input (12 MHz)	Input
38	Clock Select (CK SEL) Logic "1" = Clock 1 Select Logic "0" = Clock 2 Select	Input
39	$\overline{\text{Valid Address}}$ ($\overline{\text{VU INT}}$)	Output
40	No Connection	
41	Command Sync Clear	Input
42	Receive Sync Type	Output
43	Case GND	
44 - 48	Own Address (B0 = MSB to B4)	Input

Ordering Information

Model Number	Package
ARX2412	1.74" x 1.14" Metal Plug In

Plug-In Package Outline



Aeroflex Circuit Technology
 35 South Service Road
 Plainview New York 11830

Telephone: (516) 694-6700
 FAX: (516) 694-6715
 Toll Free Inquiries: 1-(800)THE-1553

Specifications subject to change without notice.