

# VDSL Quad 4 Band Solution CPE (NT)

APC77174

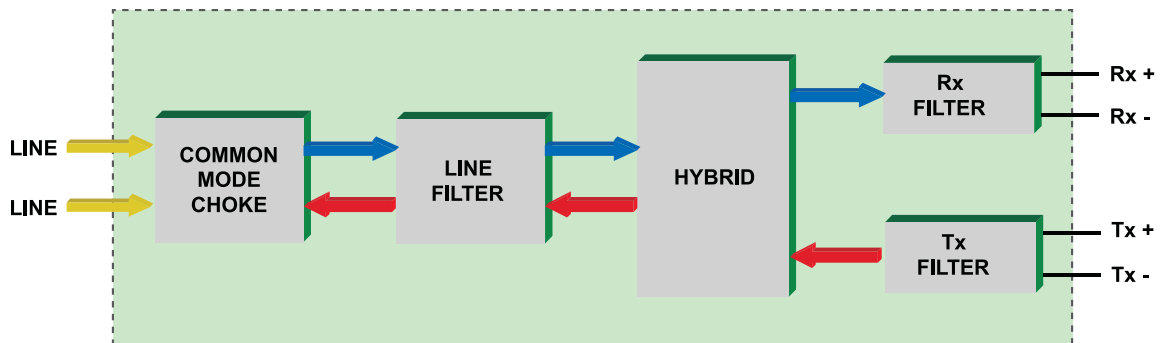
## FEATURES

- Compact single channel, four band VDSL filter solution
- Minimum footprint for maximized port density
- Optimized for use with Infineon PEF22810/14/15 chipset
- Designed for operation to Plan 997 specification

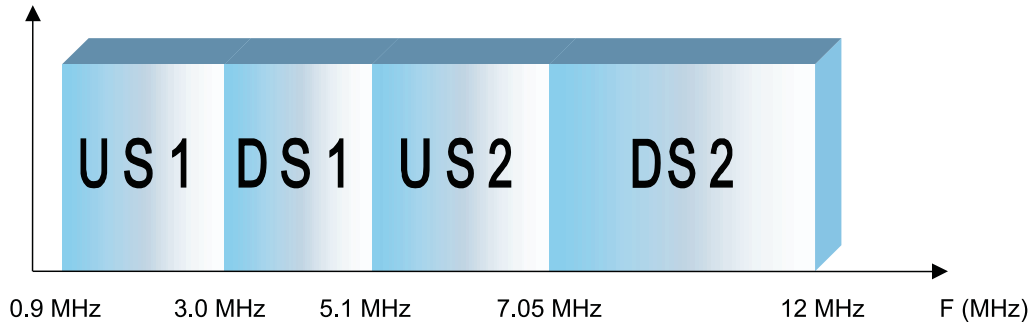


## BLOCK DIAGRAM

APC77174

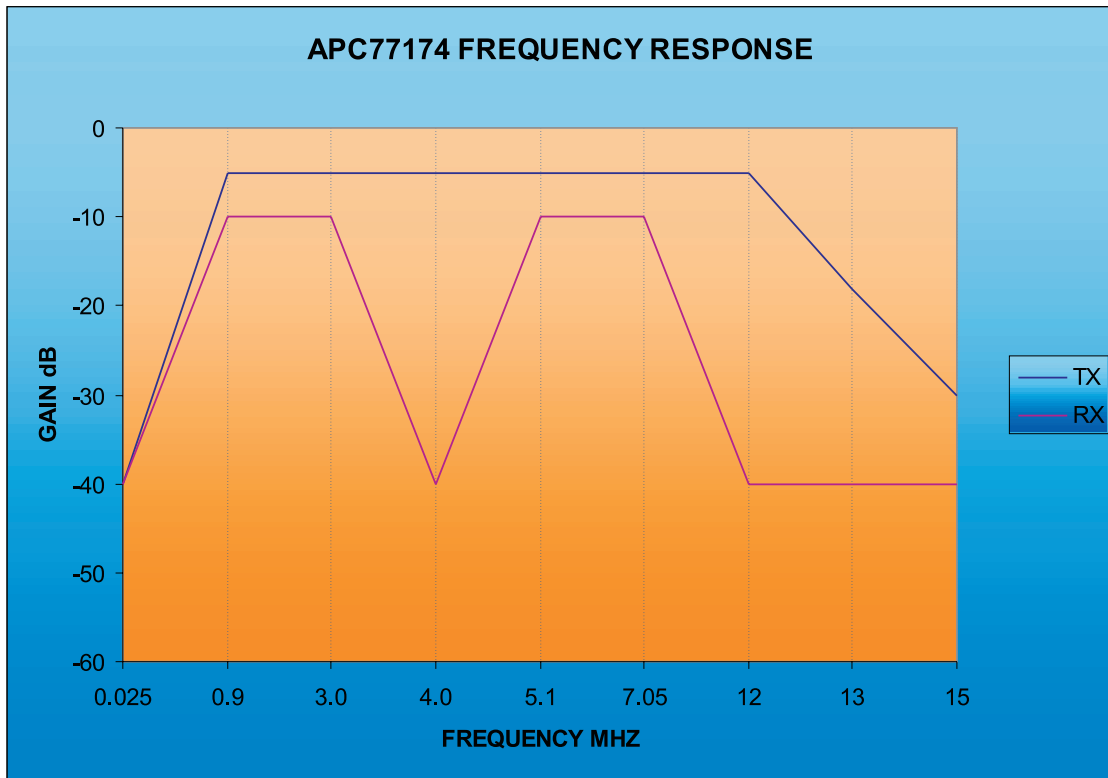


### BAND ALLOCATION



### FREQUENCY RESPONSE

The following provisional response has been drawn up from a combination of specifications and simulation. It is an initial aiming point for the design allowing operation down to 900KHz.



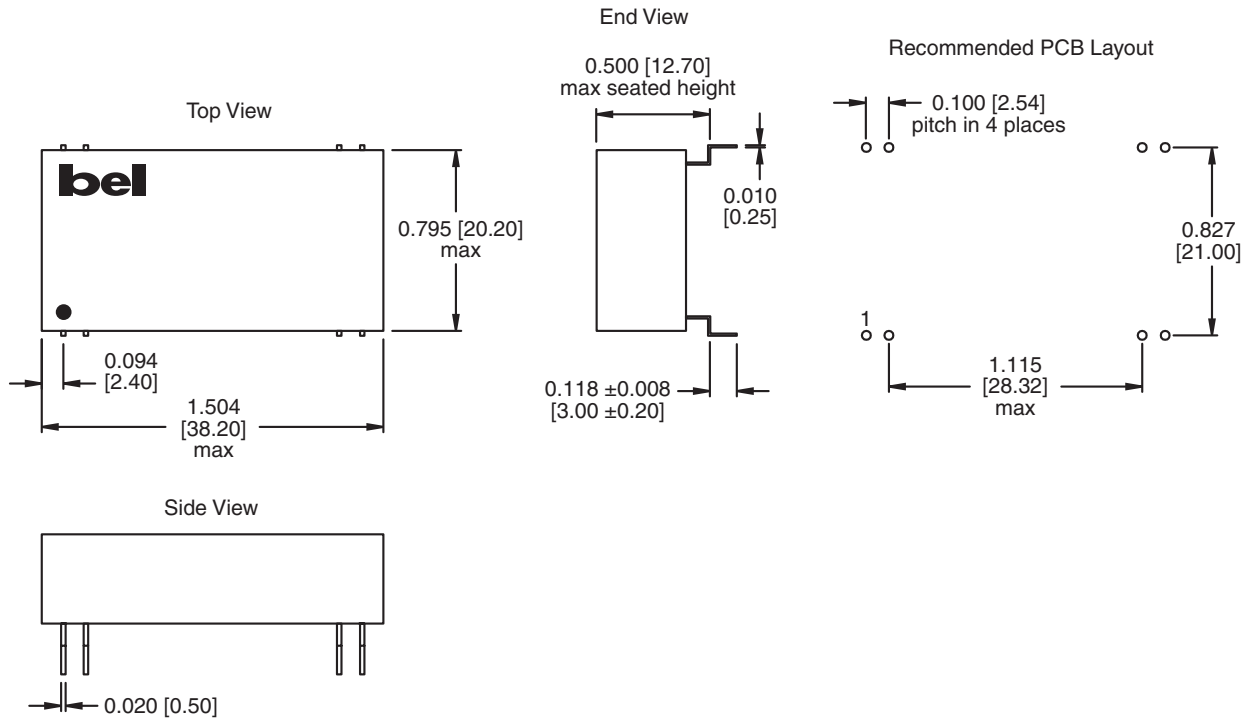
# VDSL Quad 4 Band Solution CPE (NT)

APC77174



## MECHANICAL

### APC77174



Signal Name	Pin Number
Line+	1
Line-	2
TX+	3
TX-	4
RX+	5
RX-	6
N/C	7 & 8

©2003 Bel Fuse Inc. Specifications subject to change without notice. 09.25.03

#### CORPORATE

**Bel Fuse Inc.**  
 206 Van Vorst Street  
 Jersey City, NJ 07302  
 Tel 201-432-0463  
 Fax 201-432-9542  
 www.belfuse.com

#### FAR EAST

**Bel Fuse Ltd.**  
 8F / 8 Luk Hop Street  
 San Po Kong  
 Kowloon, Hong Kong  
 Tel 852-2328-5515  
 Fax 852-2352-3706  
 www.belfuse.com

#### EUROPE

**Bel Stewart Connector**  
 45/46 Riverside  
 Medway City Estate  
 Rochester, Kent ME2 4DP U.K.  
 Tel 44-1634-722890  
 Fax 44-1634-716677  
 www.belfuse.com