

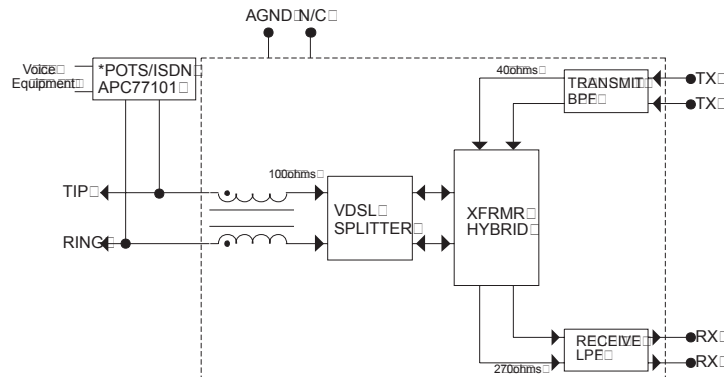
**Integrated CPE Filter/Hybrid Solution VDSL / 10BaseS
for Infineon PEB 22810/11/12/22 Chipset
APC77163**

ELECTRICAL SPECIFICATIONS @ 25°C

Description	Passband Frequency	Insertion Loss max	Return Loss min	Stopband Frequency	Attenuation min	Impedance
*VDSL Splitter/ Hybrid	138 kHz to 7.9 MHz					100 ohms
Receive LPF	138kHz to 3.9MHz	0.8 dB	12 dB	4.3 MHz to 7.9 MHz	30 dB	270 ohms
Transmit BPF	138 kHz to 7.9 MHz	0.8 dB	12 dB			40 ohms

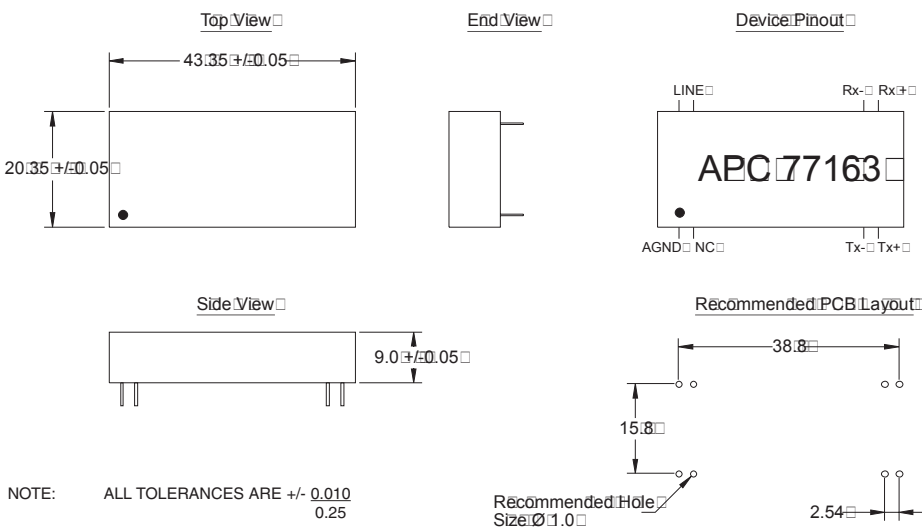
*TRANSHYBRID LOSS THROUGH VDSL SPLITTER/HYBRID IS > 15dB MIN
PROVIDES 1500VRMS ISOLATION VOLTAGE. INCORPORATES XDSL CHOKE > 35dB MIN

SCHEMATIC



*PLEASE REFER TO APC77101 DATASHEET FOR APPLICATION NOTES ON POTS/ISDN SPLITTER.

MECHANICAL



Pin	Signal
1	AGND
2	NC
3	TX -
4	TX +
5	RX +
6	RX -
7	LINE
8	LINE

NOTE: ALL TOLERANCES ARE +/- 0.010
0.25

Recommended Hole Size: 1.0

©2003 Bel Fuse Inc. Specifications subject to change without notice. 07.17.03