

**Integrated CPE Filter/Hybrid Solution VDSL/10BaseS  
for Infineon PEB 22810/11/12/22 Chipset  
APC77124RC**

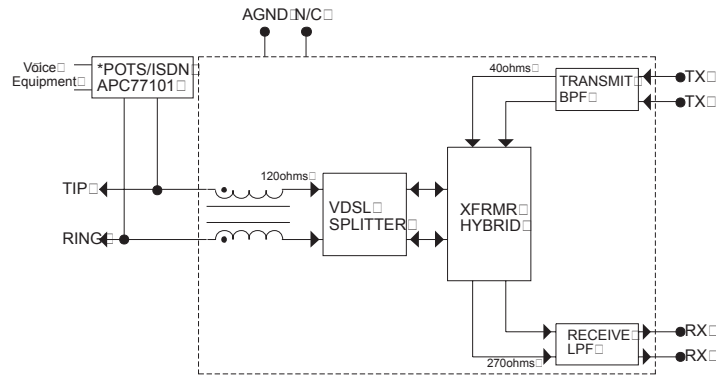


**ELECTRICAL SPECIFICATIONS @ 25°C**

Description	Passband Frequency	Insertion Loss max	Return Loss min	Stopband Frequency	Attenuation min	Impedance
*VDSL Splitter/Hybrid	900 kHz to 7.9 MHz	0.8 dB	12 dB	200 kHz	40 dB	120 ohms
Receive LPF	900 kHz to 3.3 MHz	0.8 dB	12 dB	4.5 MHz to 7.9 MHz	30 dB	270 ohms
Transmit BPF	900 kHz to 7.9 MHz	0.8 dB	12 dB	200 kHz	40 dB	40 ohms

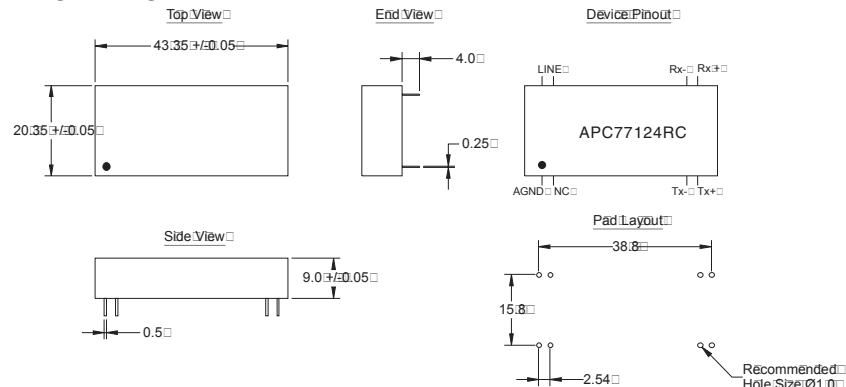
NOTES: \*TRANSHYBRID LOSS THROUGH VDSL SPLITTER/HYBRID IS > 15dB MIN  
PROVIDES 1500VRMS ISOLATION VOLTAGE. INCORPORATES XDSL CHOKE > 35dB MIN

**SCHEMATIC**



\*PLEASE REFER TO APC77101 DATASHEET FOR APPLICATION NOTES ON POTS/ISDN DIGITAL SPLITTER.

**MECHANICAL**



PIN	ALLOCATION
1	AGND
2	NC
3	Tx-
4	Tx+
5	Rx+
6	Rx-
7	LINE
8	LINE

NOTES: ALL TOLERANCES +/- 0.010  
0.25