

## Features

- A Guaranteed Start-Up from less than 0.9 V
- High Efficiency
- Low Quiescent Current
- Less Number of External Components needed
- Low Ripple and Low Noise
- Space Saving Lead-Free Packages: SOT26
- Lead Free Finish/RoHS Compliant for Lead Free products (Note 1)

## General Description

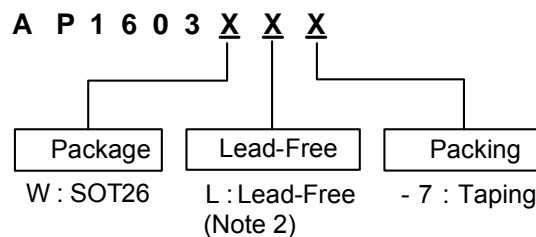
The AP1603 is a high efficiency step-up DC/DC converter for applications using as few as a single NiMH or Li-Ion battery cells. Only four external components are required to deliver a fixed output voltage of 3.3V. The AP1603 starts up from less than 0.9V input with 1mA load. Pulse Frequency Modulation scheme brings optimized performance for applications with light output loading and low input voltages. The output ripple and noise are lower compared with the circuits operating in PSM mode.

The PFM control circuit operating in 150KHz (max.) switching rate results in smaller passive components. The space saving SOT26 packages make the AP1603 an ideal choice of DC/DC converter for space conscious applications, like pagers, electronic cameras, and wireless microphones.

## Applications

- Pagers
- Cameras
- Wireless Microphones
- Pocket Organizers
- Battery Backup Suppliers
- Portable Instruments

## Ordering Information

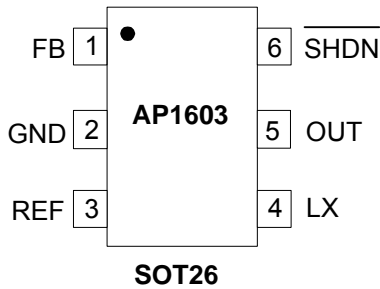


Note: 1. RoHS revision 13.2.2003. Glass and High Temperature Solder Exemptions Applied, see *EU Directive Annex Notes 5 and 7*.

Device	Package Code	Packaging (Note 2)	7" Tape and Reel	
			Quantity	Part Number Suffix
AP1603W	W	SOT26	3000/Tape & Reel	-7

Note: 2. Pad layout as shown on Diodes Inc. suggested pad layout document AP02001, which can be found on our website at <http://www.diodes.com/datasheets/ap02001.pdf>.

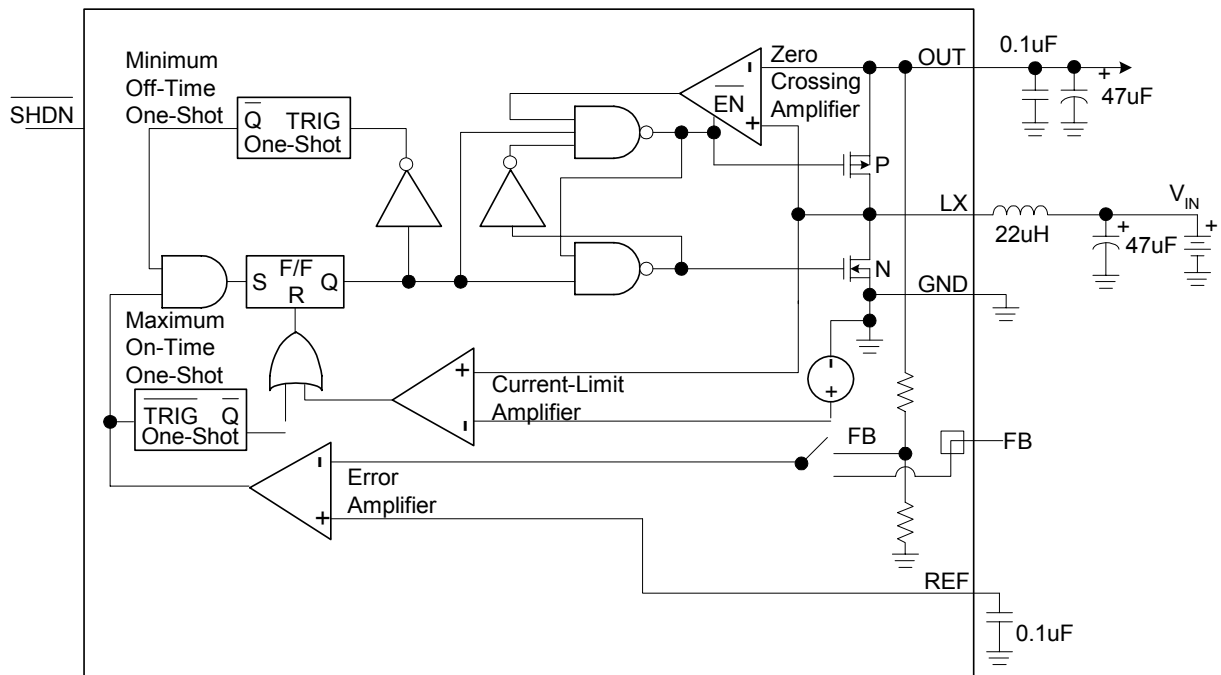
**Pin Assignments**



**Pin Descriptions**

Name	Description
FB	Feedback
GND	Ground
REF	1.2V Reference Voltage. Bypass with a 0.1μF capacitor.
LX	N-Channel and P-Channel Power MOSFET Drain
OUT	Power Output. OUT provides bootstrap power to the IC.
SHDN	Shutdown Input. Drive high (>80% of $V_{OUT}$ ) for operating mode. Drive low (<20% of $V_{OUT}$ ) for shutdown mode. Connect to OUT for normal operation.

**Block Diagram**



### Absolute Maximum Ratings

Symbol	Parameter	Rating	Unit
$V_{CC}$	Supply Voltage (OUT to GND)	-0.3 to 5.5	V
$V_{REF}$	REF to GND	-0.3 to $V_{OUT} + 0.3$	V
$V_{SW}$	Switch Voltage (LX to GND)	-0.3 to $V_{OUT} + 0.3$	V
$I_{OUT}$	Output Current (OUT)	-0.8 to 0.2	A
$I_{SW}$	Switch Current (LX)	-0.8 to 0.2	A
$T_{ST}$	Storage Temperature Range	-65 to +150	°C
$T_{OP}$	Operation Temperature Range	-40 to +85	°C

### Electrical Characteristics

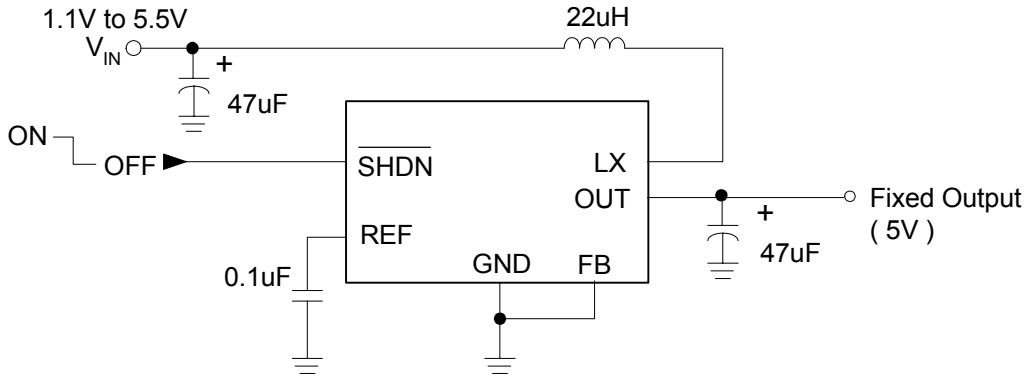
( $V_{IN} = 2V$ ,  $FB = V_{OUT}$ ,  $R_L = \infty$ ,  $T_A = 0^\circ C$  to  $+85^\circ C$ , unless otherwise noted. Typical values are at  $T_A = +25^\circ C$ )

Symbol	Parameter	Conditions	Min.	Typ.	Max.	Unit
	Minimum Input Voltage		-	0.9	-	V
$V_{IN}$	Operating Voltage	$T_A = +25^\circ C$	1.1	-	5.5	V
	Start-Up Voltage	$T_A = +25^\circ C$ , $R_L = 3k\Omega$ (Note 3)	-	0.9	1.1	V
	Start-Up Voltage Tempco		-	-4	-	mV/°C
	Output Voltage Range		2	-	5.5	V
$I_{OUT}$	Steady-State Output Current (Note 4)	$FB = V_{OUT} = 3.3V$	100	150	-	mA
		$V_{IN} = 2.4V$ , $FB = GND$ , $V_{OUT} = 5V$	-	80	-	
$V_{REF}$	Reference Voltage	$I_{REF} = 0$	1.196	1.22	1.244	V
$V_{OUT}$	Output Voltage	$FB = V_{OUT}$	3.17	3.3	3.43	V
		$FB = GND$	4.8	5	5.2	
TEMPCO	Reference Voltage Tempco		-	0.05	-	mV/°C
$V_{REF\_LOAD}$	Reference Voltage Load Regulation	$I_{REF} = 0$ to 20 $\mu A$	-	15	80	mV
$V_{REF\_LINE}$	Reference Voltage Line Regulation	$V_{IN} = 1.1V$ to 3.6V	-	0.08	1.5	mV/V
$R_{DS(ON)}$	Internal NFET, PFET On-Resistance	$I_{LX} = 100mA$	-	0.6	1.0	$\Omega$
$I_{LIM}$	LX Switch Current Limit (NFET)		0.3	0.35	0.4	A
$I_{LEAK}$	LX Leakage Current	$V_{LX} = 0, 5.5V$ ; $V_{OUT} = 5.5V$	-	0.05	1	$\mu A$
	Operating Current into OUT	$V_{OUT} = 3.3V$	-	16	35	$\mu A$
	Shutdown Current into OUT	$\overline{SHDN} = GND$	-	0.1	1	$\mu A$
	Efficiency	$V_{OUT} = 3.3V$ , $I_{LOAD} = 100mA$	-	90	-	%
$t_{ON}$	LX Switch On-Time		3	4	7	$\mu s$
$t_{OFF}$	LX Switch Off-Time		1.0	1.2	1.4	$\mu s$
$I_{SHDN}$	SHDN Input Current	$V_{SHDN} = 0$ or $V_{OUT}$	-	0.07	50	nA
$V_{IL}$	SHDN Input Voltage	Based on $V_{OUT}$ Voltage	-	-	0.2	$V_{OUT}$
$V_{IH}$			0.8	-	-	

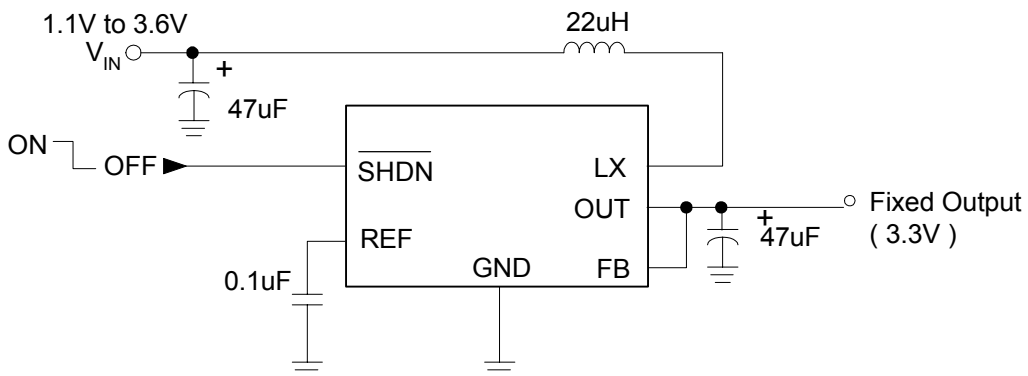
Note: 3. Start-up voltage operation is guaranteed with the addition of a Schottky 1N5819 external diode between the input and output.  
4. Steady-state output current indicates that the device maintains output voltage regulation under load.

**Typical Application Circuit**

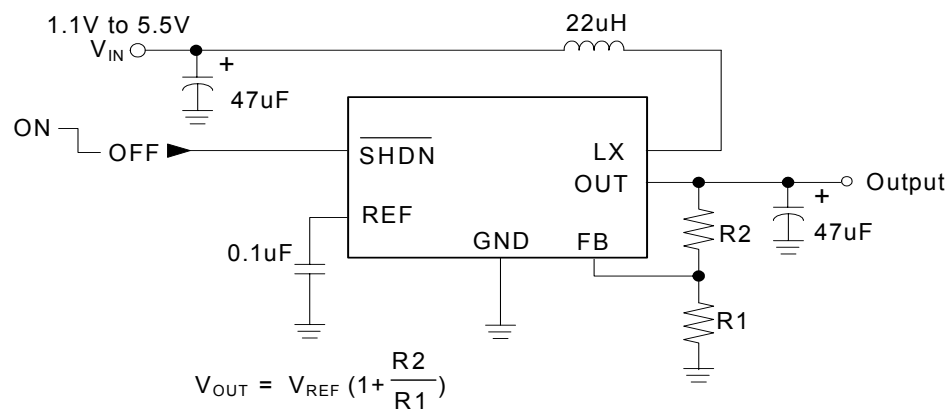
(1)  $V_{OUT} = 5V$



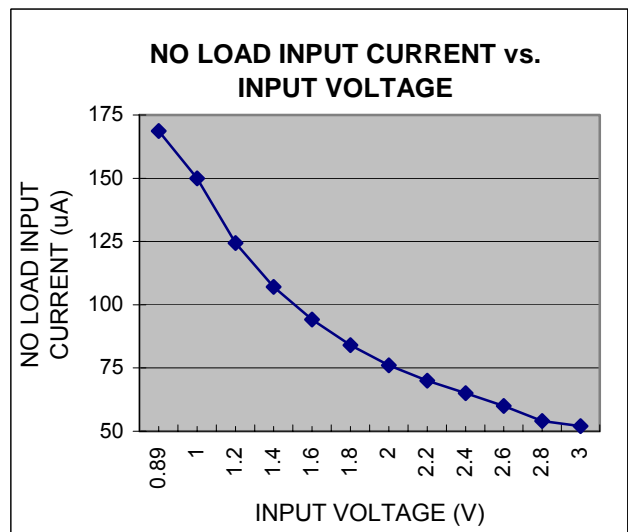
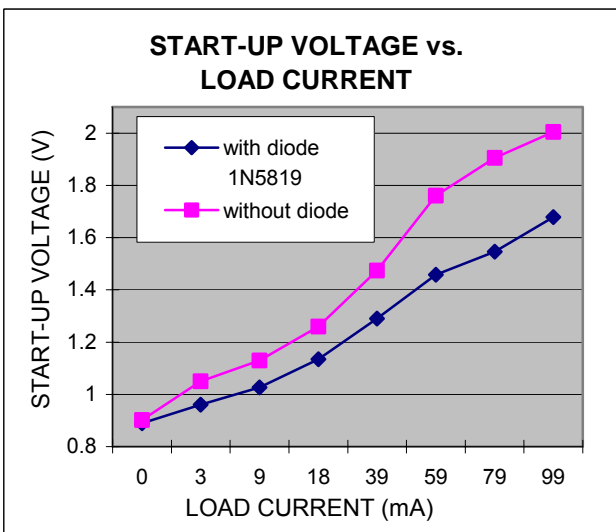
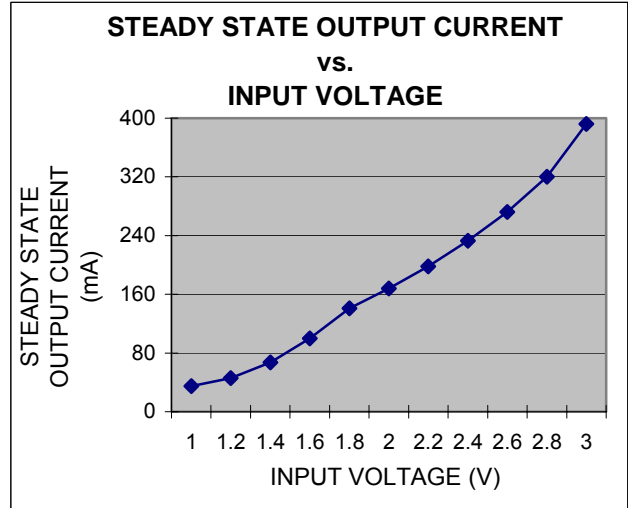
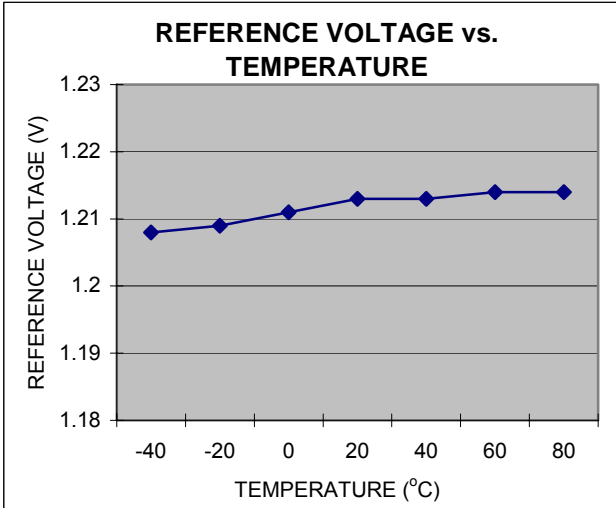
(2)  $V_{OUT} = 3.3V$



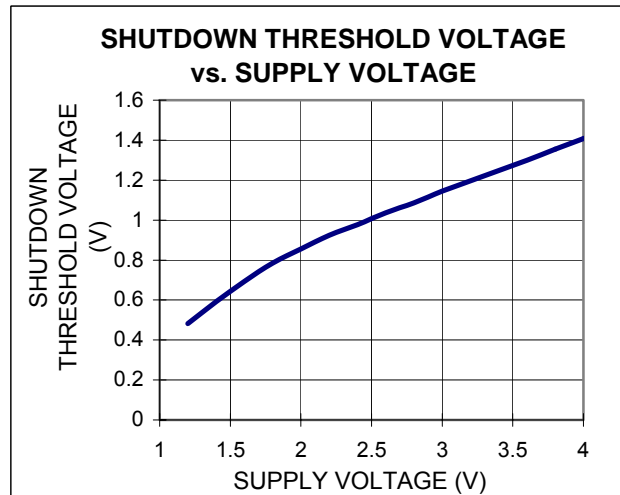
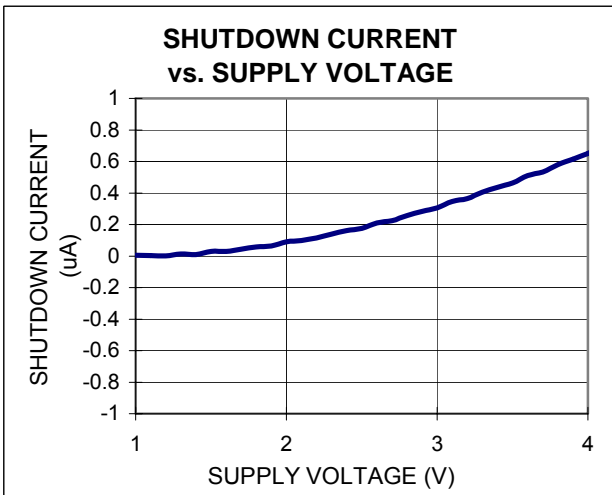
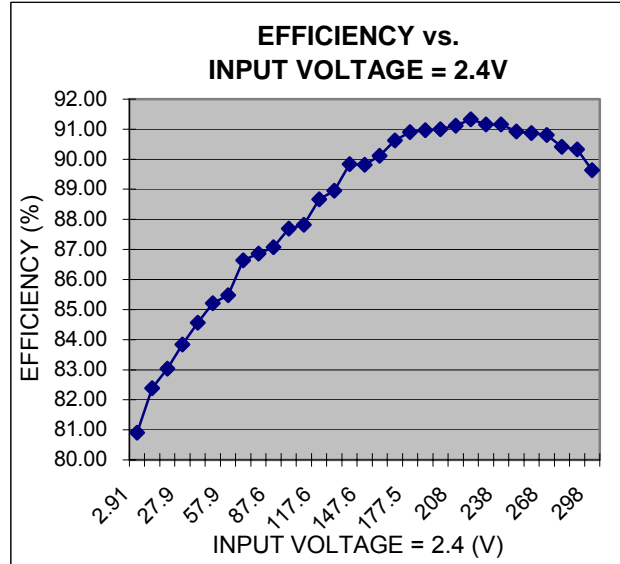
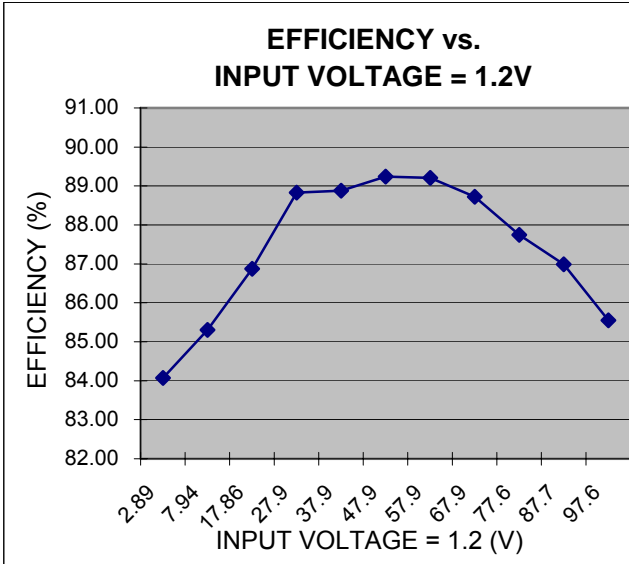
(3)  $V_{OUT} = Adj$



**Typical Performance Characteristics**



**Typical Performance Characteristics (Continued)**



## Function Description

### General Description

AP1603 PFM (Pulse Frequency Modulation) converter IC series combine a switch mode converter, power MOSFET, and precision voltage reference in a single monolithic device. They offer both extreme low quiescent current, high efficiency, and very low gate threshold voltage to ensure start-up with low battery voltage (0.9V typ.). Designed to maximize battery life in portable products, and minimize switching losses by only switching as needed to service the load. PFM converters transfer a discrete amount of energy per cycle and regulate the output voltage by modulating switching frequency with the constant turn-on time. Switching frequency depends on the load, input voltage, and inductor value, and it can range up to 150KHz. The SW on resistance is typically 1 to 1.5 W to minimize switch losses. When the output voltage drops, the error comparator enables 150KHz oscillator that turns on the MOSFET around 7.5us and 2.5ms off time. Turning on the MOSFET allows inductor current to ramp up, storing energy in a magnetic field and when MOSFET turns off that force inductor current through the diode to the output capacitor and load. As the stored energy is depleted, the current ramp down until the diode turns off. At this point, inductor may ring due to residual energy and stray capacitance. The output capacitor stores charge when current flow through the diode is high, and release it when the current flow is low, thereby maintaining a steady voltage across the load. As the load increases, the output capacitor discharges faster and the error comparator initiates cycles sooner, increasing the switching frequency. The maximum duty cycle ensures adequate time for energy transfer to output during the second half of each cycle. Depending on the circuit, PFM converter can operate in either discontinuous mode or continuous conduction mode. Continuous conduction mode means that the inductor current does not ramp to zero during each cycle.

### Inductor Selection

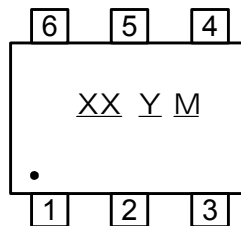
To operate as an efficient energy transfer element, the inductor must fulfill three requirements. First, the inductance must be low enough for the inductor to store adequate energy under the worst-case condition of minimum input voltage and switch ON time. Second, the inductance must also be high enough so the maximum current rating of AP1603 and inductor are not exceeded at the other worst-case condition of maximum input voltage and ON time. Lastly, the inductor must have sufficiently low DC resistance so excessive power is not lost as heat in the windings. But unfortunately this is inversely related to physical size. Minimum and Maximum input voltage, output voltage and output current must be established before an inductor can be selected.

### Capacitor Selection

A poor choice for an output capacitor can result in poor efficiency and high output ripple. Ordinary aluminum electrolyzers, while inexpensive, may have unacceptably poor ESR and ESL. There is a low ESR aluminum capacitor for switch mode DC-DC converters which work much better than the general purpose unit. Tantalum capacitors provide still better performance at more expense. OS-CON capacitors have extremely low ESR in a small size. If capacitance is reduced, the output ripple will increase. Most of the input supply is supplied by the input bypass capacitor. The capacitor voltage rating should be at least 1.25 times greater than a maximum input voltage.

## Marking Information

### (1) SOT26



XX: Identification code

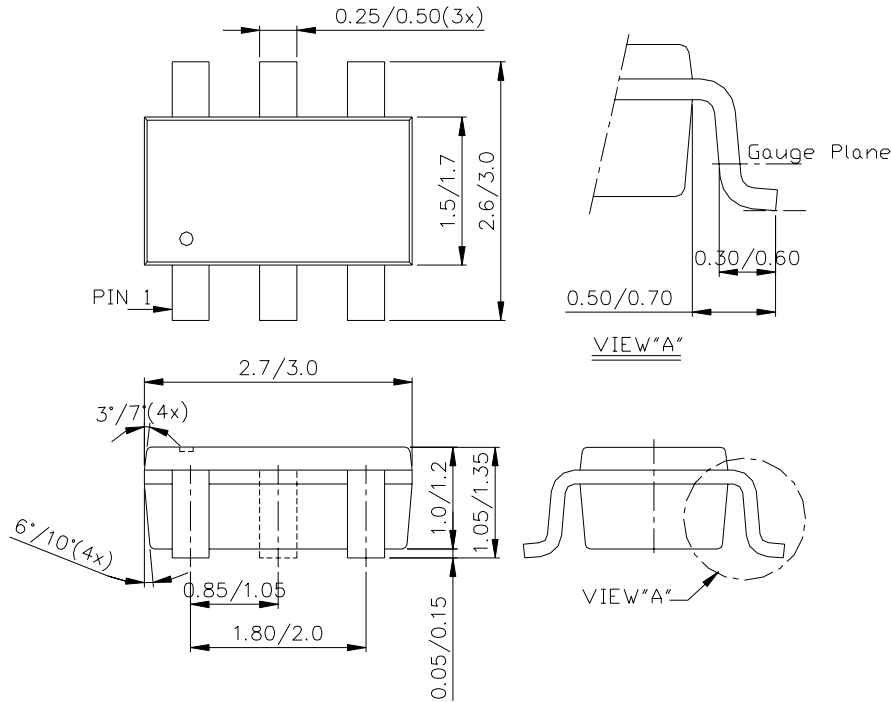
Y: Year: 0-9

M: Month: A~L

Part Number	Package	Identification Code
AP1603W	SOT26	EY

**Package Information**

Package Type: SOT26



**IMPORTANT NOTICE**

Diodes Incorporated and its subsidiaries reserve the right to make modifications, enhancements, improvements, corrections or other changes without further notice to any product herein. Diodes Incorporated does not assume any liability arising out of the application or use of any product described herein; neither does it convey any license under its patent rights, nor the rights of others. The user of products in such applications shall assume all risks of such use and will agree to hold Diodes Incorporated and all the companies whose products are represented on our website, harmless against all damages.

**LIFE SUPPORT**

Diodes Incorporated products are not authorized for use as critical components in life support devices or systems without the expressed written approval of the President of Diodes Incorporated.