

## 1.5A Low Dropout Positive Adjustable or Fixed-Mode Regulator

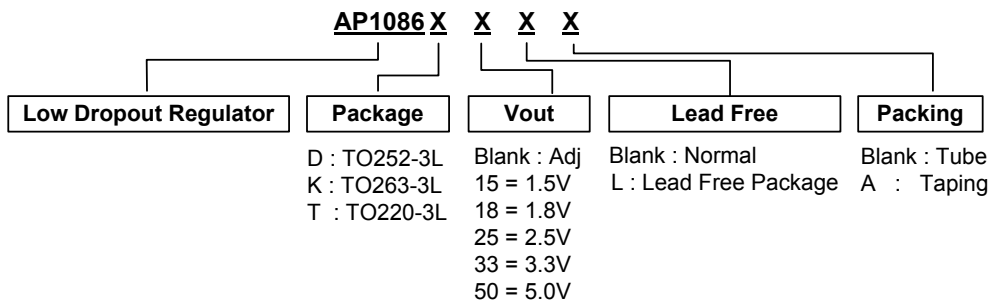
### ■ Features

- 3-Terminal Adjustable or Fixed 1.5V, 1.8V, 2.5V, 3.3V, 5.0V
- 1.4V Maximum Dropout at Full Load Current
- Fast Transient Response
- Built-in Thermal Shutdown
- Output Current Limiting

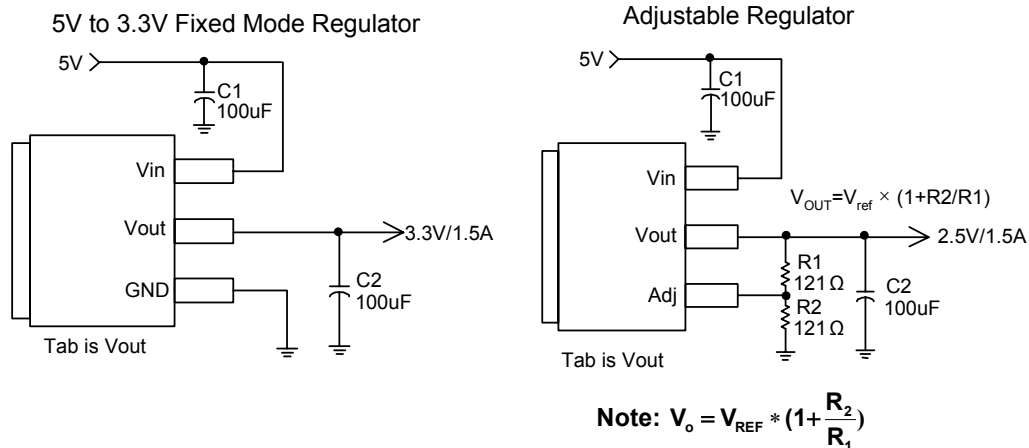
### ■ General Description

AP1086 is a low dropout positive adjustable or fixed-mode regulator with minimum of 1.5A output current capability. The product is specifically designed to provide well-regulated supply for low voltage IC applications such as high-speed bus termination and low current 3.3V logic supply. AP1086 is also well suited for other applications such as VGA cards. AP1086 is guaranteed to have <1.4V dropout at full load current making it ideal to provide well-regulated outputs of 1.25V to 5.0V with 4.7 to 12V input supply by different output voltage.

### ■ Ordering Information

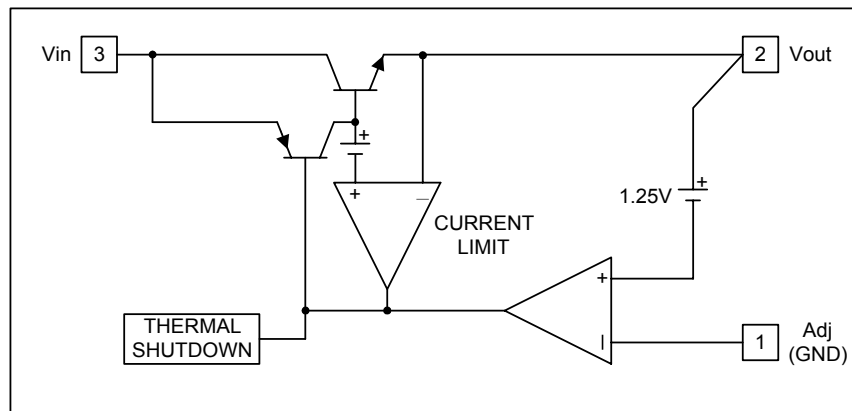


### ■ Typical Application

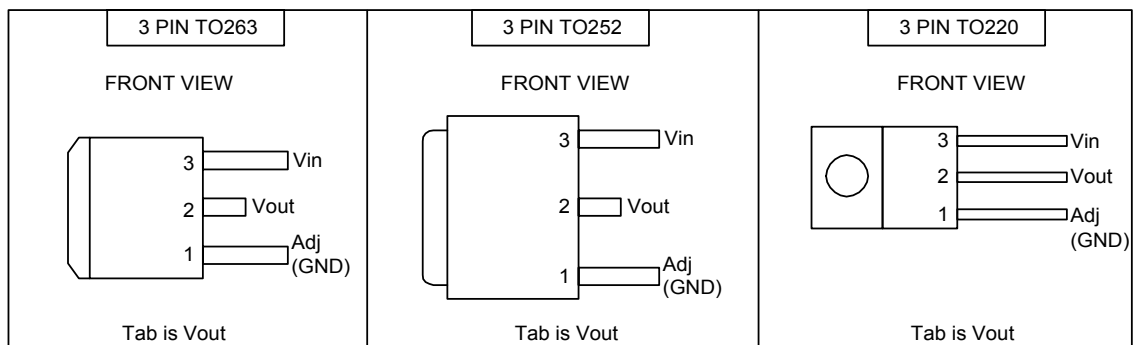


## 1.5A Low Dropout Positive Adjustable or Fixed-Mode Regulator

### ■ Block Diagram



### ■ Connection Diagram



### ■ Pin Descriptions

NAME	I/O	PIN #	FUNCTION
Adj (GND)		1	Adjustable (Ground only for fixed mode)
Vout	O	2	The output of the regulator. A minimum of 10uF capacitor must be connected from this pin to ground to insure stability.
Vin	I	3	The input pin of regulator. Typically a large storage capacitor is connected from this pin to ground to insure that the input voltage does not sag below the minimum dropout voltage during the load transient response. This pin must always be 1.4V higher than Vout in order for the device to regulate properly.



## 1.5A Low Dropout Positive Adjustable or Fixed-Mode Regulator

### ■ Absolute Maximum Ratings

Symbol	Parameter	Rating	Unit
V <sub>IN</sub>	DC Supply Voltage	-0.3 to 12	V
P <sub>D</sub>	Power Dissipation	Internally Limited	
T <sub>ST</sub>	Storage Temperature	-65 to +150	°C
T <sub>OP</sub>	Operating Junction Temperature Range	0 to +150	°C

### ■ Electrical Characteristics (Under Operating Conditions)

PARAMETER	CONDITIONS	MIN	TYP	MAX	UNIT
Reference Voltage	AP1086-Adj T <sub>J</sub> =25°C, (V <sub>IN</sub> -V <sub>OUT</sub> )=1.5V, I <sub>O</sub> =10mA	1.225	1.250	1.275	V
Output Voltage	AP1086-1.5 I <sub>OUT</sub> = 10mA, T <sub>J</sub> = 25°C, 3V ≤ V <sub>IN</sub> ≤ 12V	1.470	1.500	1.530	V
	AP1086-1.8 I <sub>OUT</sub> = 10mA, T <sub>J</sub> = 25°C, 3.3V ≤ V <sub>IN</sub> ≤ 12V	1.764	1.800	1.836	V
	AP1086-2.5 I <sub>OUT</sub> = 10mA, T <sub>J</sub> = 25°C, 4V ≤ V <sub>IN</sub> ≤ 12V	2.450	2.500	2.550	V
	AP1086-3.3 I <sub>OUT</sub> = 10mA, T <sub>J</sub> = 25°C, 4.8V ≤ V <sub>IN</sub> ≤ 12V	3.235	3.300	3.365	V
	AP1086-5.0 I <sub>OUT</sub> = 10mA, T <sub>J</sub> = 25°C, 6.5V ≤ V <sub>IN</sub> ≤ 12V	4.900	5.000	5.100	V
Line Regulation	AP1086-XXX I <sub>O</sub> =10mA, V <sub>OUT</sub> +1.5V<V <sub>IN</sub> <12V	-	-	0.2	%
Load Regulation	AP1086-Adj V <sub>IN</sub> =3.3V, 0mA<I <sub>O</sub> <1.5A, T <sub>J</sub> =25°C (Note 1, 2)	-	-	1	%
	AP1086-1.5 V <sub>IN</sub> =3V, 0mA<I <sub>O</sub> <1.5A, T <sub>J</sub> =25°C (Note 1, 2)	-	12	15	mV
	AP1086-1.8 V <sub>IN</sub> =3.3V, 0mA<I <sub>O</sub> <1.5A, T <sub>J</sub> =25°C (Note 1, 2)	-	15	18	mV
	AP1086-2.5 V <sub>IN</sub> =4V, 0mA<I <sub>O</sub> <1.5A, T <sub>J</sub> =25°C (Note 1, 2)	-	20	25	mV
	AP1086-3.3 V <sub>IN</sub> = 5V, 0 ≤ I <sub>OUT</sub> ≤ 1.5A, T <sub>J</sub> =25°C, T <sub>J</sub> =25°C (Note 1.2)	-	26	33	mV
	AP1086-5.0 V <sub>IN</sub> = 8V, 0 ≤ I <sub>OUT</sub> ≤ 1.5A, T <sub>J</sub> =25°C, T <sub>J</sub> =25°C (Note 1.2)	-	40	50	mV
Dropout Voltage (V <sub>IN</sub> -V <sub>OUT</sub> )	AP1086-Adj/-2.5/-3.3/-3.6/-5.0 I <sub>OUT</sub> = 1.5A, ΔV <sub>OUT</sub> =1%V <sub>OUT</sub>	-	1.3	1.4	V
Current Limit	AP1086-Adj/-2.5/-3.3/-3.6/-5.0 (V <sub>IN</sub> -V <sub>OUT</sub> ) = 5V	1.6	-	-	A
Minimum Load Current	AP1086-XXX 0°C ≤ T <sub>J</sub> ≤ 125°C	-	5	10	mA
Thermal Regulation	T <sub>A</sub> =25°C, 30ms pulse	-	0.008	0.04	%/W
Ripple Rejection	F=120Hz, C <sub>OUT</sub> =25μF Tantalum, I <sub>OUT</sub> =1.5A	-	60	70	dB
	AP1086-XXX   V <sub>IN</sub> =V <sub>OUT</sub> +3V	-	60	70	dB
RMS Noise (% of V <sub>OUT</sub> )	10Hz ≤ f ≤ 10KHz	-	0.003	-	%
Temperature Stability	I <sub>O</sub> =10mA	-	0.5	-	%
Thermal Resistance Junction-to-Ambient (No heat sink ;No air flow)	TO-252	-	101	-	°C/W
	TO-263	-	83	-	°C/W
	TO-220	-	86	-	°C/W
Thermal Resistance Junction-to-Case	TO-252: Control Circuitry/Power Transistor	-	15	-	°C/W
	TO-263: Control Circuitry/Power Transistor	-	0.65/2.7	-	°C/W
	TO-220: Control Circuitry/Power Transistor	-	0.65/2.7	-	°C/W

Note 1: See thermal regulation specifications for changes in output voltage due to heating effects. Line and load regulation are measured at a constant junction temperature by low duty cycle pulse testing. Load regulation is measured at the output lead = 1/18" from the package.

Note 2: Line and load regulation are guaranteed up to the maximum power dissipation of 15W. Power dissipation is determined by the difference in input and output and the output current. Guaranteed maximum power dissipation will not be available over the full input/output range.

Note 3: Quiescent current is defined as the minimum output current required in maintaining regulation. At 12V input/output differential the device is guaranteed to regulate if the output current is greater than 10mA.



## 1.5A Low Dropout Positive Adjustable or Fixed-Mode Regulator

---

### ■ Functional Description

#### Introduction

The AP1086 adjustable or fixed-mode Low Dropout (LDO) regulator is a 3 terminal device which can easily be programmed by internal mask change to any voltages within the range of 1.25V to  $V_{in}-1.4V$ . The AP1086 only needs 1.4V differential between  $V_{in}$  and  $V_{out}$  to maintain output regulation. In addition, the output voltage tolerances are also extremely tight and they include the transient response as part of the specification. For example, Intel VRE specification calls for a total of +/- 100mV including initial tolerance, load regulation and 0 to 1.5A load step.

The AP1086 is specifically designed to meet the fast current transient needs as well as providing an accurate initial voltage, reducing the overall system cost with the need for fewer output capacitors.

#### Load Regulation

Since the AP1086 is only a 3 terminal device, it is not possible to provide true remote sensing of the output voltage at the load. But it can supply good load regulation by internal feedback bypass the external loss such as adjustable mode.

#### Stability

The AP1086 requires the use of an output capacitor as part of the frequency compensation in order to

make the regulator stable. For most applications a minimum of 10uF aluminum electrolytic capacitor insures both stability and good transient response.

#### Thermal Design

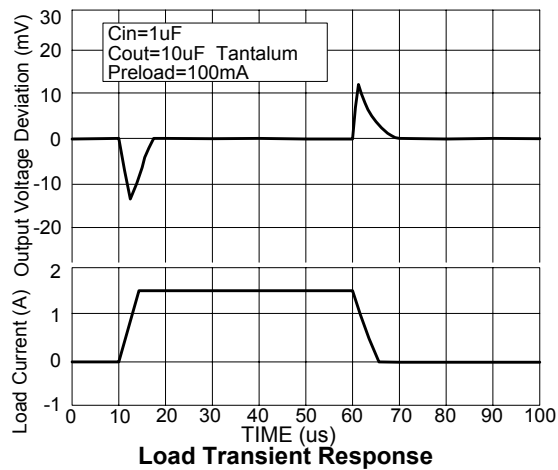
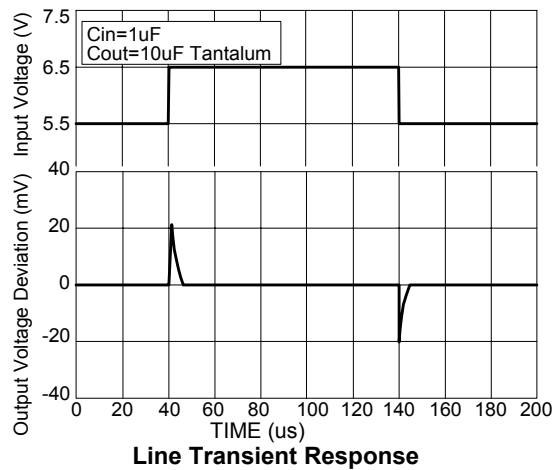
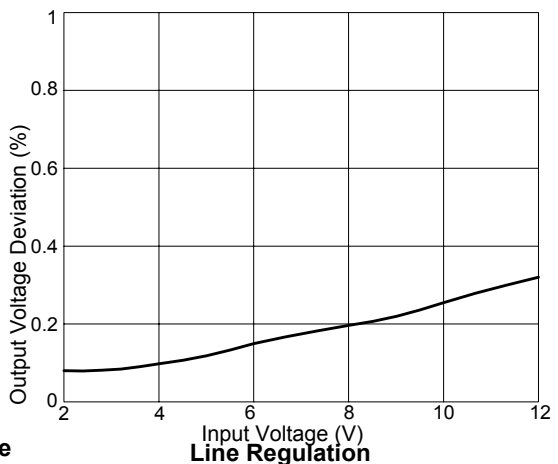
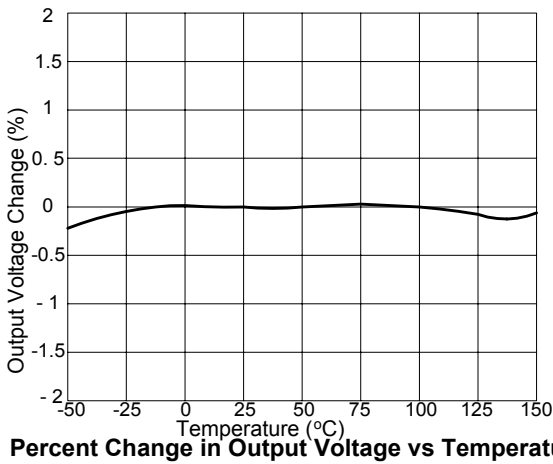
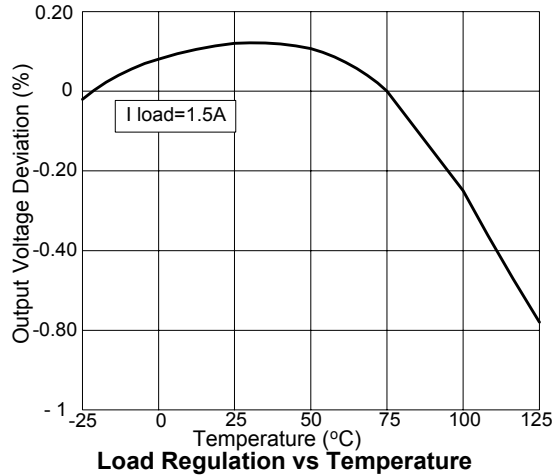
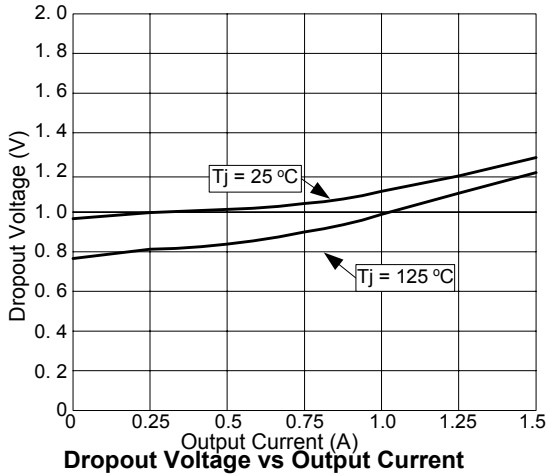
The AP1086 incorporates an internal thermal shutdown that protects the device when the junction temperature exceeds the maximum allowable junction temperature. Although this device can operate with junction temperatures in the range of 150°C, it is recommended that the selected heat sink be chosen such that during maximum continuous load operation the junction temperature is kept below the temperature.

#### Layout Consideration

The output capacitors must be located as close to the  $V_{out}$  terminal of the device as possible. It is recommended to use a section of a layer of the PC board as a plane to connect the  $V_{out}$  pin to the output capacitors to prevent any high frequency oscillation that may result due to excessive trace inductance.

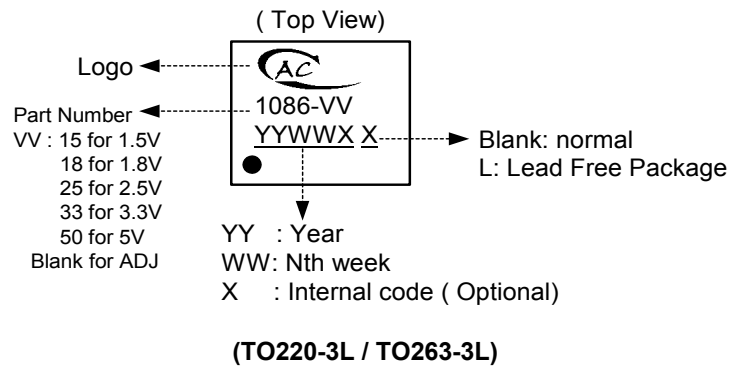
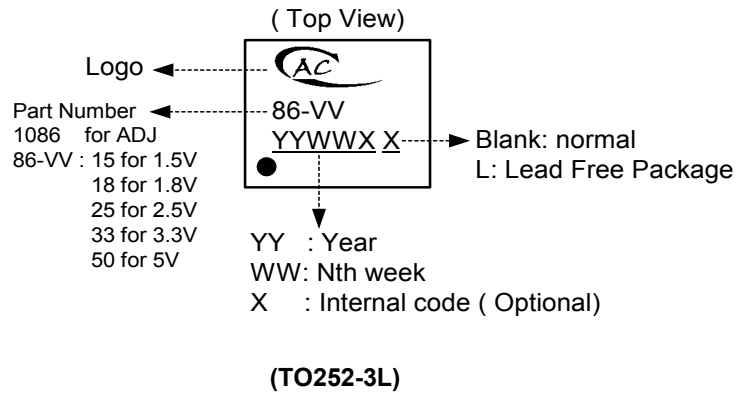
## 1.5A Low Dropout Positive Adjustable or Fixed-Mode Regulator

### ■ Typical Performance Characteristics



## 1.5A Low Dropout Positive Adjustable or Fixed-Mode Regulator

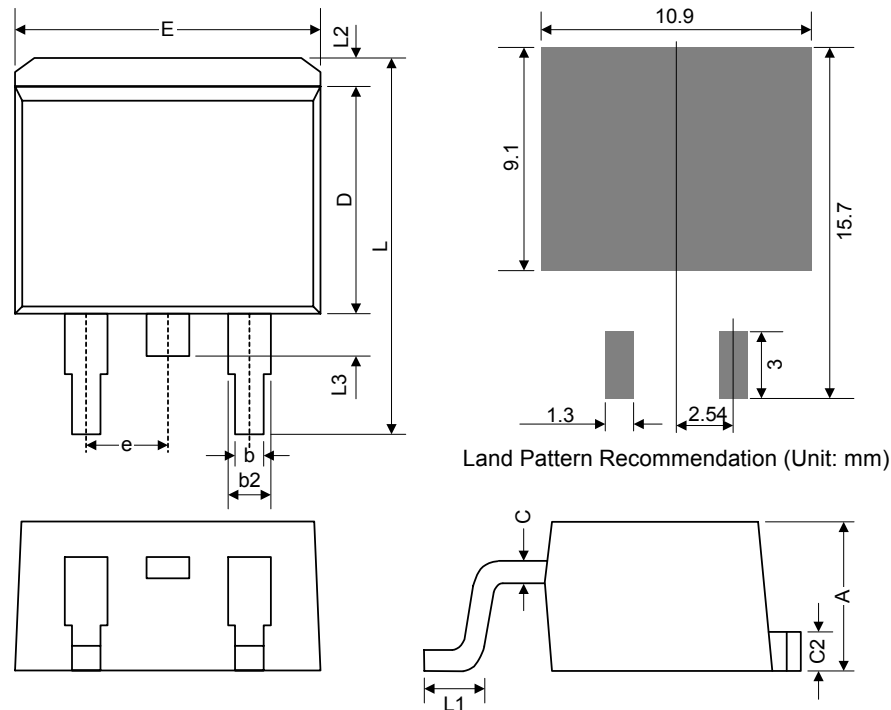
### ■ Marking Information



## 1.5A Low Dropout Positive Adjustable or Fixed-Mode Regulator

### ■ Package Dimension

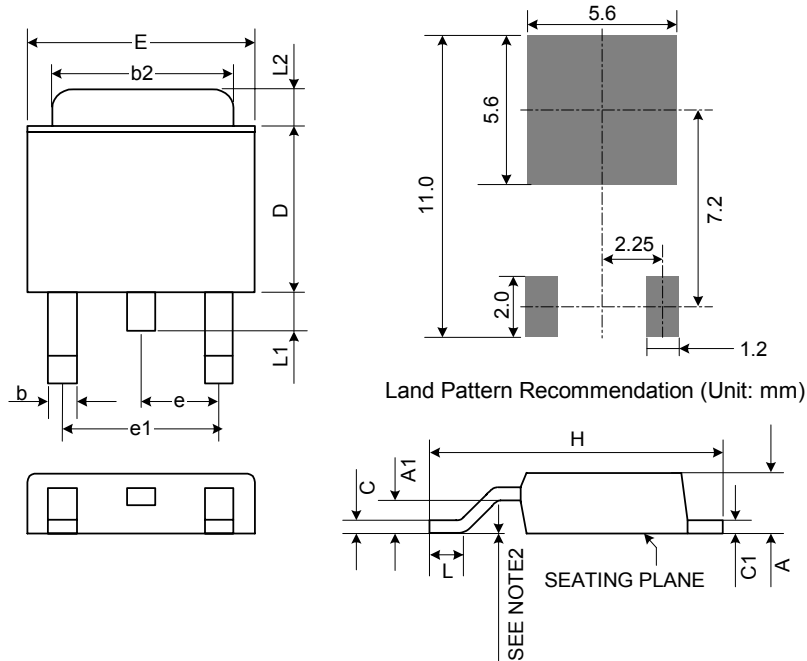
(1) TO263-3L



Symbol	Dimensions In Millimeters			Dimensions In Inches		
	Min.	Nom.	Max.	Min.	Nom.	Max.
A	4.06	4.45	4.83	0.160	0.175	0.190
b	0.51	0.75	0.99	0.020	0.030	0.039
b2	1.14	1.27	1.40	0.045	0.050	0.055
C	0.38 TYP.			0.015 TYP.		
C2	1.14	1.27	1.40	0.045	0.050	0.055
D	8.65	9.15	9.65	0.341	0.360	0.380
E	9.65	9.97	10.29	0.380	0.393	0.405
e	2.54 BSC.			0.100 BSC.		
L	14.61	15.24	15.88	0.575	0.600	0.625
L1	2.28	2.54	2.80	0.090	0.100	0.110
L2	-	1.30	2.92	-	0.051	0.115
L3	1.27	1.52	1.78	0.050	0.060	0.070

## 1.5A Low Dropout Positive Adjustable or Fixed-Mode Regulator

(2) TO252-3L



**Notes:**

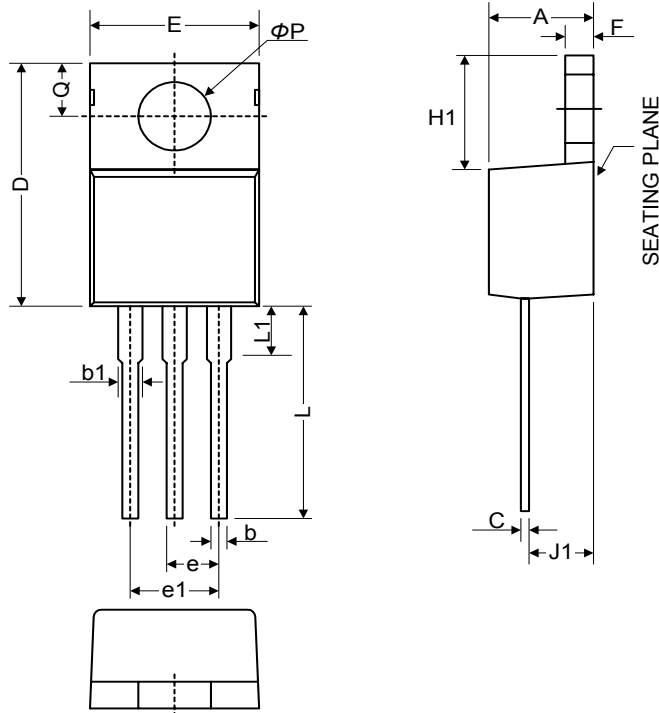
1. JEDEC Outline: TO-252 AB
2. Mils suggested for positive contact at mounting.

Symbol	Dimensions In Millimeters			Dimensions In Inches		
	Min.	Nom.	Max.	Min.	Nom.	Max.
A	2.18	2.29	2.40	0.086	0.090	0.094
A1	0.89	-	1.14	0.035	-	0.045
b	0.61 TYP.			0.024 TYP.		
b2	5.20	5.35	5.50	0.205	0.211	0.217
C	0.45	0.52	0.58	0.018	0.020	0.023
C1	0.45	0.52	0.58	0.018	0.020	0.023
D	5.40	5.57	6.20	0.213	0.219	0.244
E	6.35	6.58	6.80	0.250	0.259	0.268
e	2.28 BSC.			0.090 BSC.		
e1	4.57 BSC.			0.180 BSC.		
H	9.00	9.70	10.40	0.354	0.382	0.409
L	0.51	-	-	0.020	-	-
L1	0.64	0.83	1.02	0.025	0.033	0.040
L2	0.88	-	1.27	0.035	-	0.050



## 1.5A Low Dropout Positive Adjustable or Fixed-Mode Regulator

(3) TO220-3L



Symbol	Dimensions In Millimeters			Dimensions In Inches		
	Min.	Nom.	Max.	Min.	Nom.	Max.
A	3.55	4.20	4.85	0.140	0.165	0.191
b1	1.14	1.46	1.78	0.045	0.057	0.070
b	0.51	0.83	1.14	0.020	0.033	0.045
C	0.31	0.72	1.14	0.012	0.028	0.045
D	14.20	15.35	16.50	0.559	0.604	0.650
E	9.70	10.20	10.70	0.382	0.402	0.421
e	2.29	2.54	2.79	0.090	0.100	0.110
e1	4.83	5.08	5.33	0.190	0.200	0.210
F	0.51	0.95	1.40	0.020	0.037	0.055
H1	5.84	6.35	6.86	0.230	0.250	0.270
J1	2.03	2.48	2.92	0.080	0.098	0.115
L	12.72	13.72	14.72	0.501	0.540	0.580
L1	3.66	5.00	6.35	0.144	0.197	0.250
$\phi P$	3.53	3.81	4.09	0.139	0.150	0.161
Q	2.54	2.98	3.43	0.100	0.117	0.135