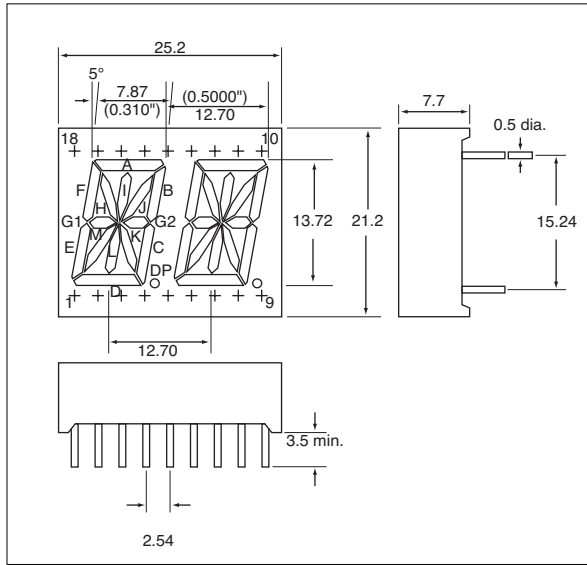


Unit: mm



# AND-5420 Series

## GaAsP/GaP-Red

### 16 Segment, Dual Digit, 0.54 Inch

#### Features

- 16 segment alphanumeric displays
- 0.54 inch character height
- Available in red
- Suitable for computer peripherals and terminal displays for viewing at a distance
- Available in both common cathode and common anode
- **RoHS Compliant**

#### Description

Size	Number of Digits	Common		Color		Number of Pins
		Cathode	Anode	Display	Face	
0.54 inch	2	AND-5420OCLB	AND-5420OALB	Red	Red	18

#### Absolute Maximum Ratings (T = 25°C)

Characteristics	Symbol	Rating	Unit
DC Forward Current/Segment	$I_F(DC)/SEG$	30	mA
Pulse Forward Current/Segment (1us Pulse – 0.3% Duty Cycle)	$I_{FP}/SEG$	100	mA
Reverse Voltage/Segment	$V_R$	3	V
Operating Temperature Range	$T_{Opr}$	-25 to 85	°C
Storage Temperature Range	$T_{Stg}$	-25 to 100	°C

#### Electro-Optical Characteristics (T = 25°C)

Characteristics	Symbol	Test Condition	Minimum	Typical	Maximum	Unit
Forward Voltage	$V_F$	$I_F = 10\text{ mA}$	–	2.1	2.4	V
Reverse Current	$I_R$	$V_R = 3\text{ V}$	–	–	100	$\mu\text{A}$
Luminous Intensity Per Segment	Red $I_V$	$I_F = 10\text{ mA}$	2.0	3.3	–	mcd
Peak Emission Wavelength	Red $\lambda_P$	$I_F = 10\text{ mA}$	–	635	–	nm
Spectral Line Half Width	Red $\Delta\lambda$	$I_F = 10\text{ mA}$	–	45	–	nm

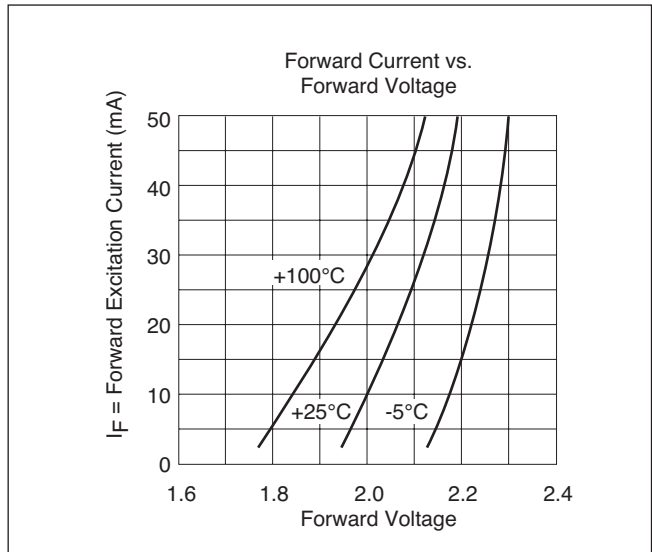
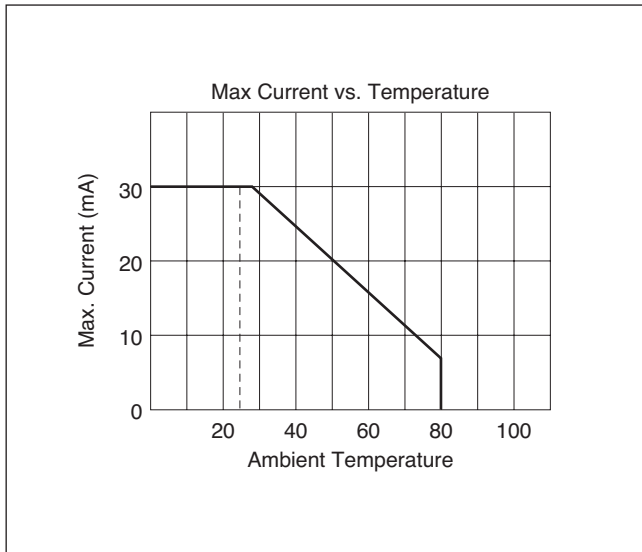
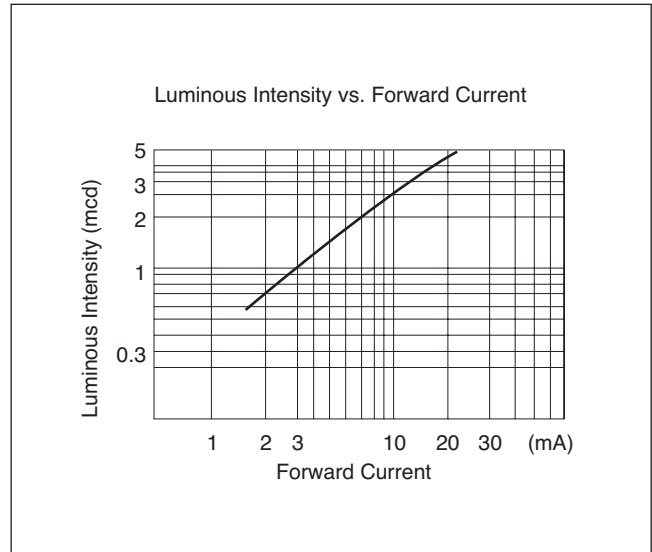
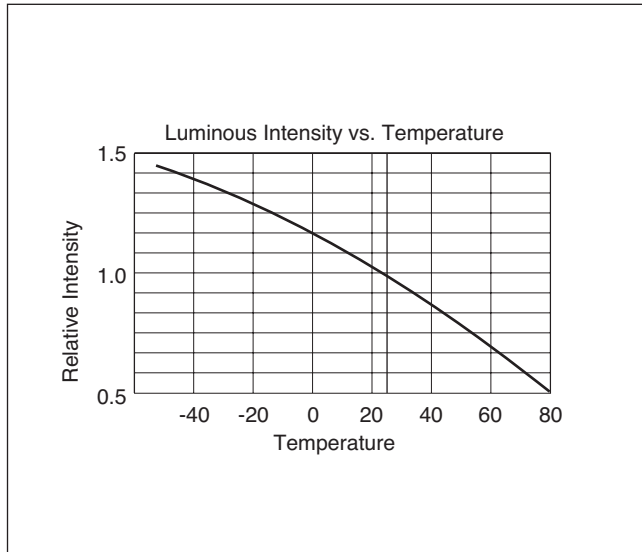
#### Precaution

Please be careful of the following:

1. Soldering temperature: 260°C max; Soldering time: 3 sec. max; Soldering portion of lead: up to 2 mm from the body of the device.
2. The lead can be formed up to 5 mm from the body of the device without forming stress. Soldering should be performed after the lead forming.

Product specifications contained herein may be changed without prior notice.

It is therefore advisable to contact Purdy Electronics before proceeding with the design of equipment incorporating this product.



**AND-5420 Series Pin Connection Table**

AND-5420OCLB			
Pin	Connection	Pin	Connection
1	E Anode	10	B Anode
2	M Anode	11	Digit 2 Common Cathode
3	No Connection	12	A Anode
4	L Anode	13	G1 Anode
5	K Anode	14	J Anode
6	G2 Anode	15	I Anode
7	D Anode	16	Digit 1 Common Cathode
8	DP Anode	17	H Anode
9	C Anode	18	F Anode

AND-5420OALB			
Pin	Connection	Pin	Connection
1	E Cathode	10	B Cathode
2	M Cathode	11	Digit 2 Common Anode
3	No Connection	12	A Cathode
4	L Cathode	13	G1 Cathode
5	K Cathode	14	J Cathode
6	G2 Cathode	15	I Cathode
7	D Cathode	16	Digit 1 Common Anode
8	DP Cathode	17	H Cathode
9	C Cathode	18	F Cathode